



US00D889564S

(12) **United States Design Patent**
Horikoshi et al.

(10) **Patent No.:** **US D889,564 S**

(45) **Date of Patent:** **** Jul. 7, 2020**

(54) **SPINNING TOP TOY**

(71) Applicant: **TOMY COMPANY, LTD.**, Tokyo (JP)

(72) Inventors: **Kenji Horikoshi**, Tokyo (JP); **Hiroyuki Matsukawa**, Tokyo (JP)

(73) Assignee: **TOMY COMPANY, LTD.**, Tokyo (JP)

(**) Term: **15 Years**

(21) Appl. No.: **29/675,432**

(22) Filed: **Jan. 2, 2019**

(30) **Foreign Application Priority Data**

Jul. 3, 2018 (JP) 2018-014672

(51) **LOC (12) Cl.** **21-01**

(52) **U.S. Cl.**
USPC **D21/460**

(58) **Field of Classification Search**
USPC D21/455-464; 446/236-266
CPC A63H 1/00-32
See application file for complete search history.

(56) **References Cited**

U.S. PATENT DOCUMENTS

D825,671 S *	8/2018	Horikoshi	D21/460
D827,046 S *	8/2018	Horikoshi	D21/460
D828,456 S *	9/2018	Muraki	D21/460
D834,103 S *	11/2018	Horikoshi	D21/460
D835,208 S *	12/2018	Horikoshi	D21/460
D837,899 S *	1/2019	Narita	D21/460
D839,967 S *	2/2019	Horikoshi	D21/460
D842,935 S *	3/2019	Horikoshi	D21/460
D846,034 S *	4/2019	Horikawa	D21/460
D846,656 S *	4/2019	Horikoshi	D21/460
D849,847 S *	5/2019	Horikoshi	D21/460
D851,708 S *	6/2019	Saito	D21/460

D855,117 S *	7/2019	Horikoshi	D21/460
D857,107 S *	8/2019	Horikoshi	D21/460
D862,604 S *	10/2019	Matsukawa	D21/460
D862,606 S *	10/2019	Horikoshi	D21/460
D862,607 S *	10/2019	Horikoshi	D21/460
D862,608 S *	10/2019	Yamasaki	D21/460
D862,609 S *	10/2019	Muraki	D21/460
D866,677 S *	11/2019	Horikoshi	D21/460
D873,351 S *	1/2020	Horikoshi	D21/460

FOREIGN PATENT DOCUMENTS

JP	6258541 B1 *	1/2018	A63H 1/04
JP	6377211 B1 *	8/2018	A63H 1/02
JP	6405415 B1 *	10/2018	A63H 1/02
JP	6431628 B1 *	11/2018	A63H 1/00
JP	6431629 B1 *	11/2018	A63H 1/02

* cited by examiner

Primary Examiner — Catherine A Tuttle

(74) *Attorney, Agent, or Firm* — Oliff PLC

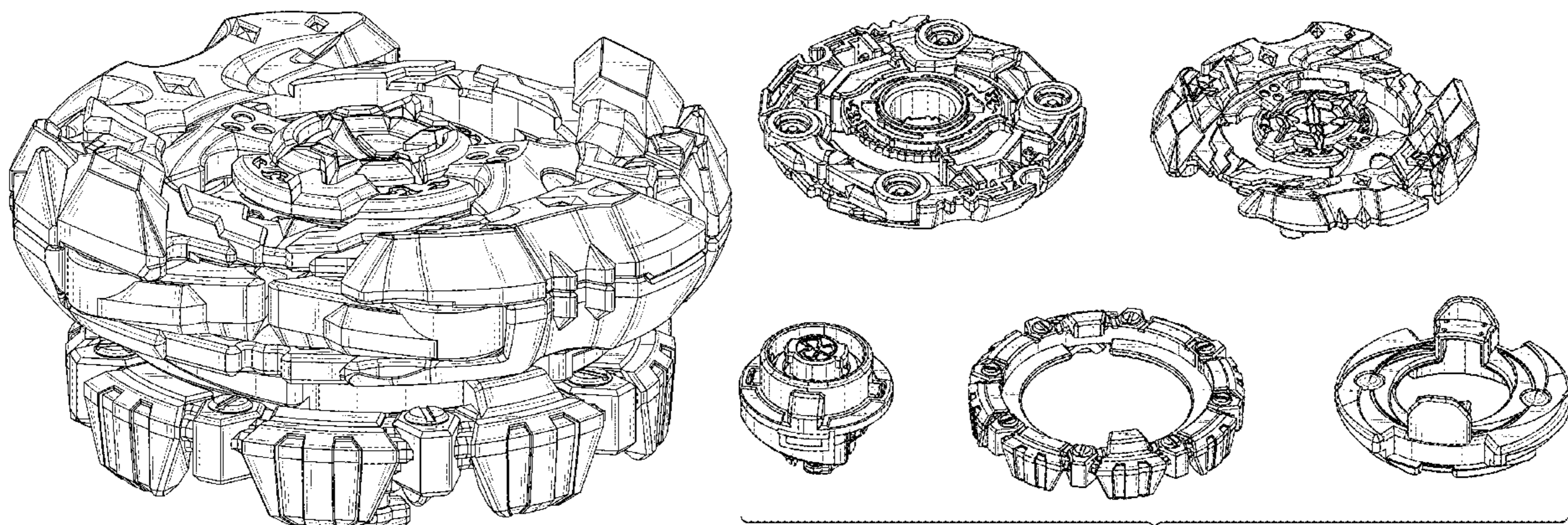
(57) **CLAIM**

The ornamental design for a spinning top toy, as shown and described.

DESCRIPTION

FIG. 1 is a front elevational view of the spinning top toy; FIG. 2 is a rear elevational view thereof; FIG. 3 is a left-side elevational view thereof; FIG. 4 is a right-side elevational view thereof; FIG. 5 is a top plan view thereof; FIG. 6 is a bottom plan view thereof; FIG. 7 is a front, top and right side perspective view thereof; FIG. 8 is a disassembled front, top and right side perspective view thereof; and, FIG. 9 is a disassembled rear, bottom and left side perspective view thereof.

1 Claim, 9 Drawing Sheets



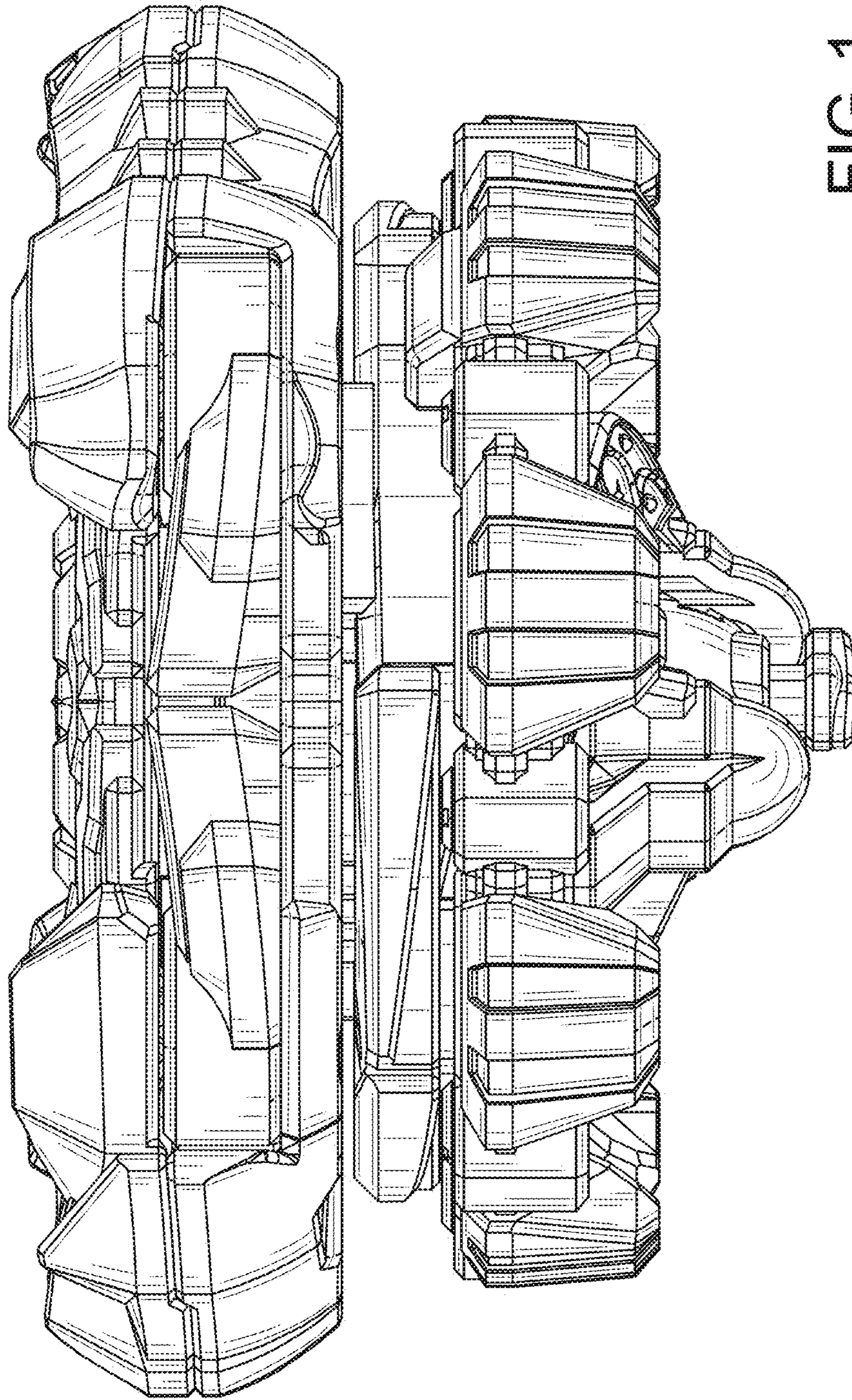


FIG. 1

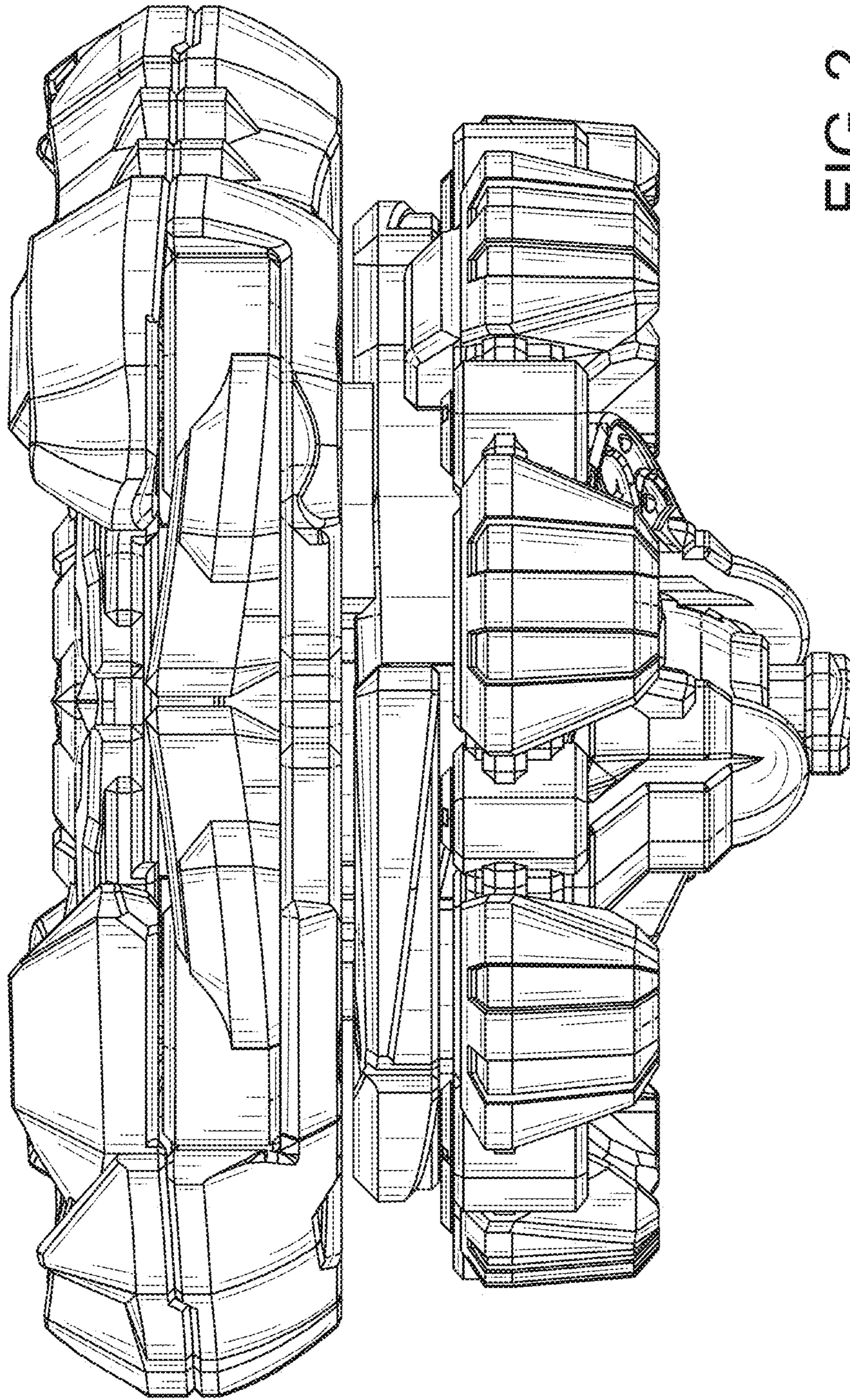


FIG. 2

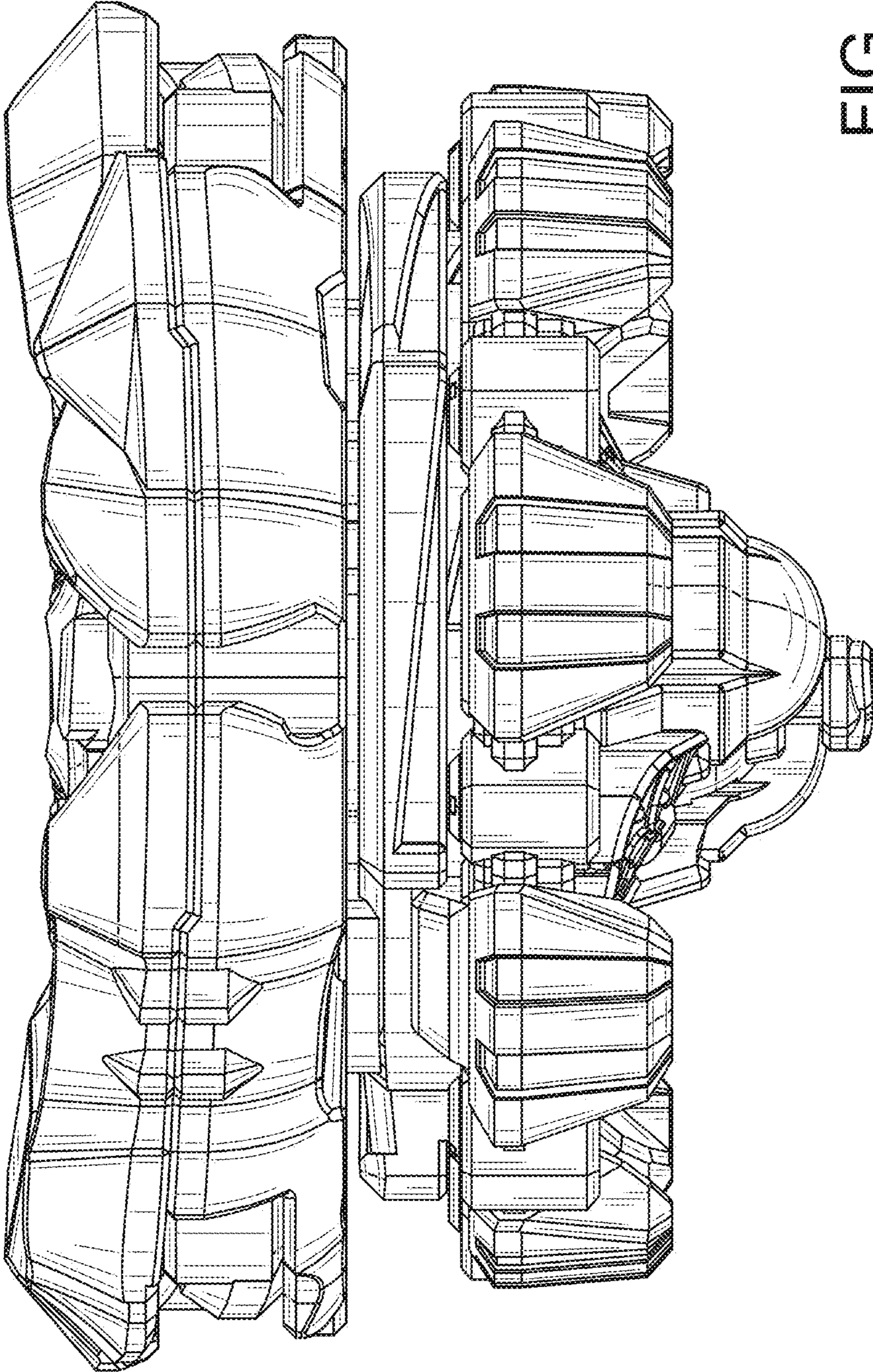


FIG. 3

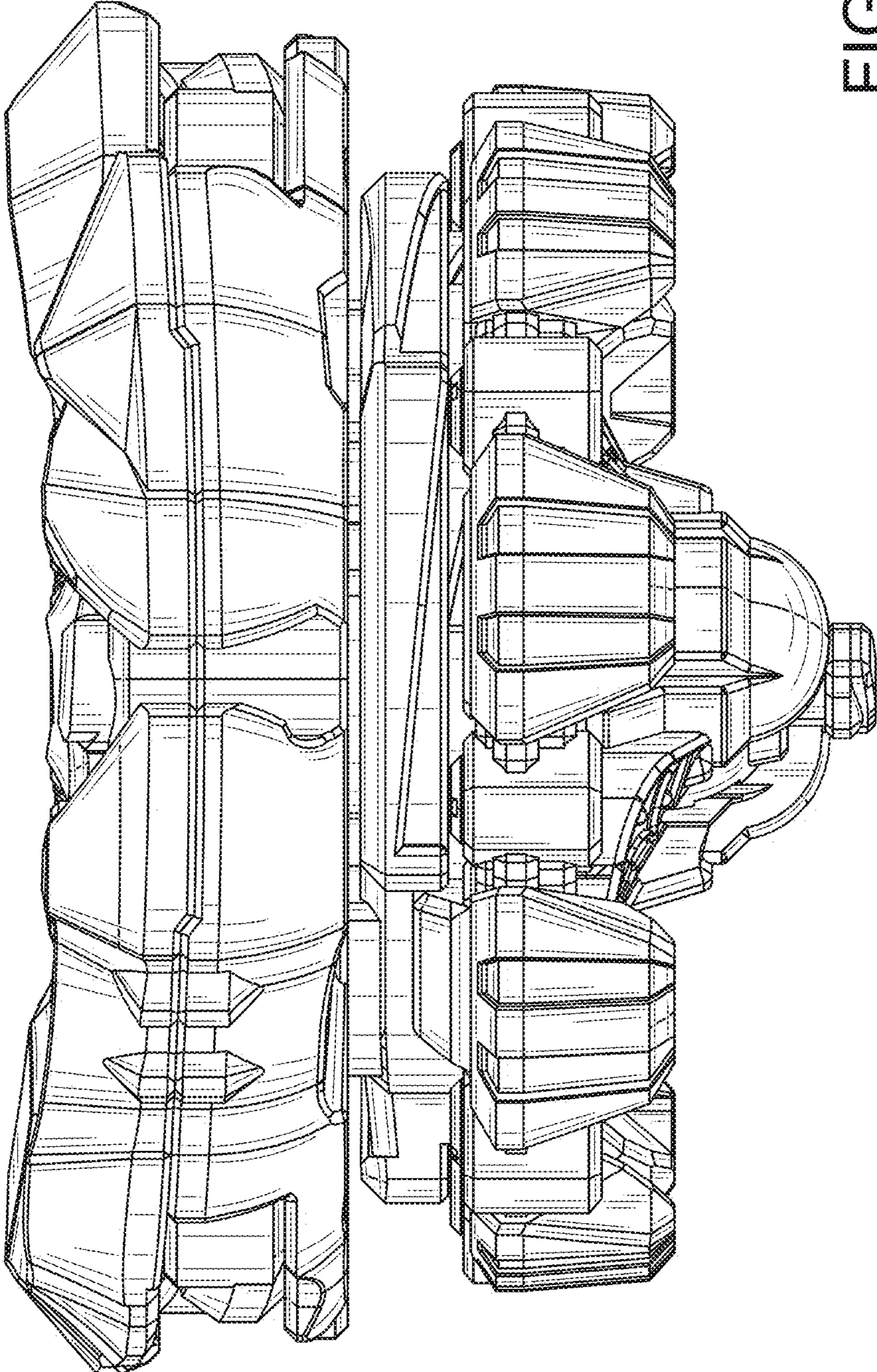


FIG. 4

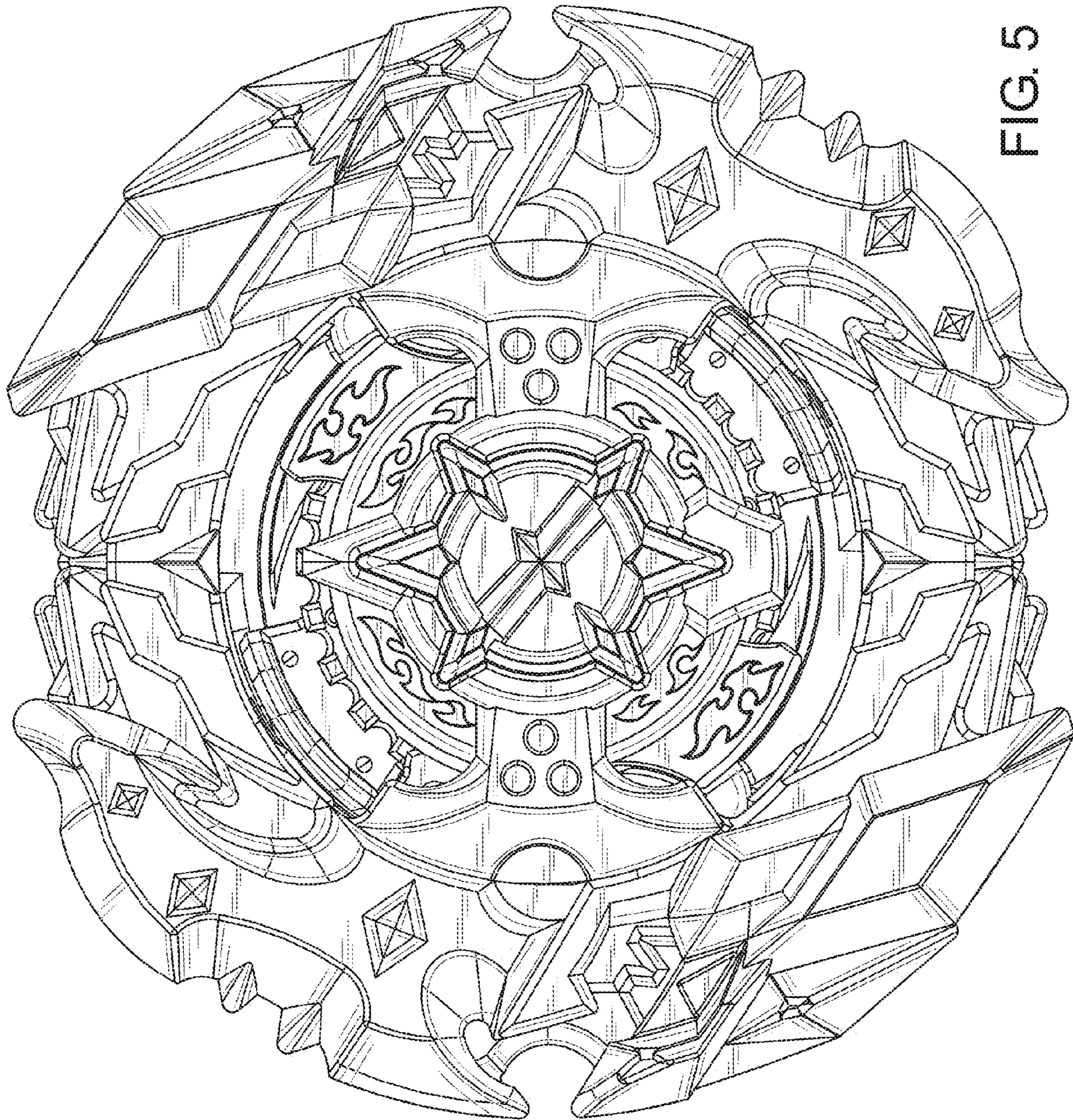


FIG. 5

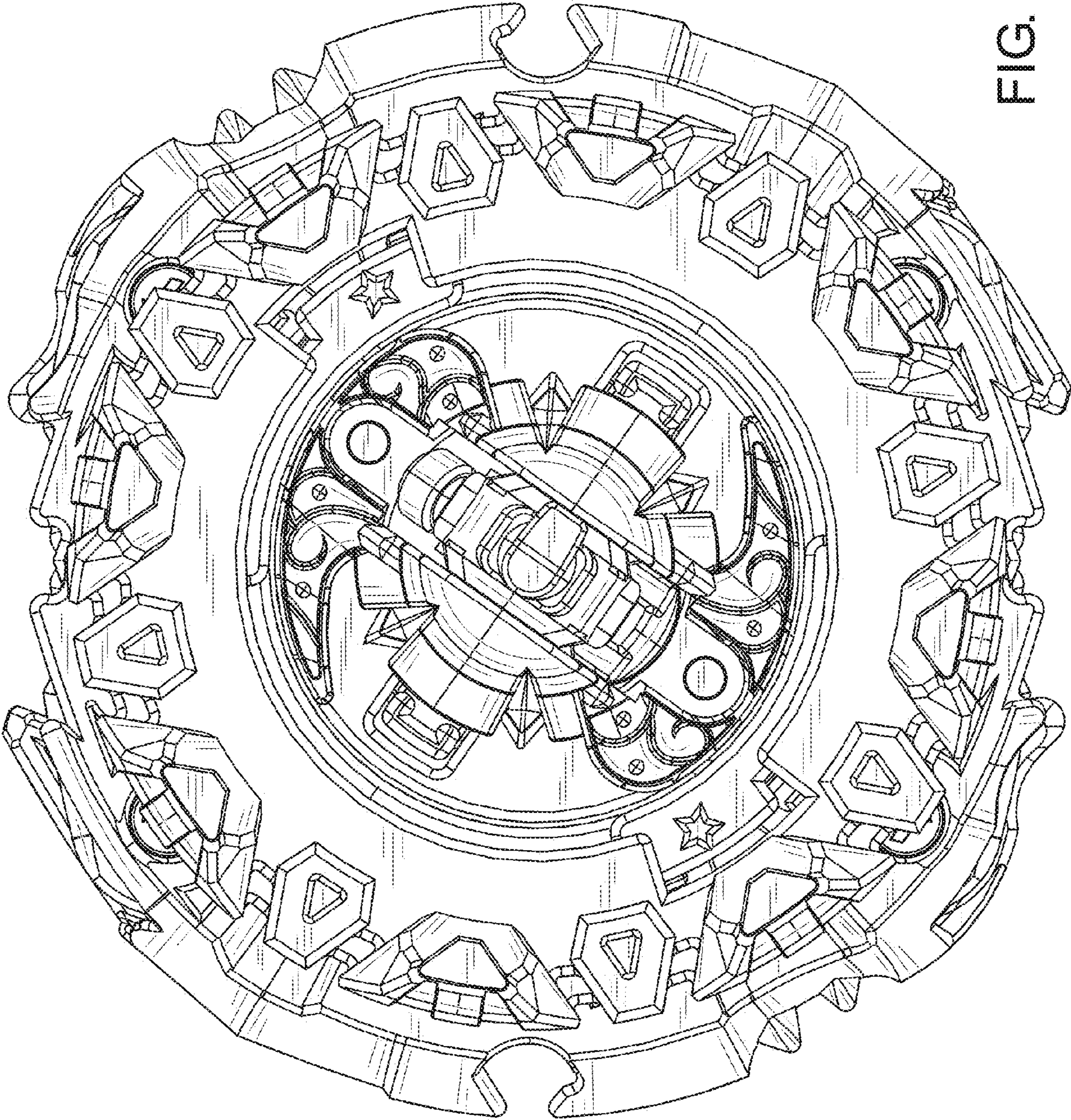


FIG. 6

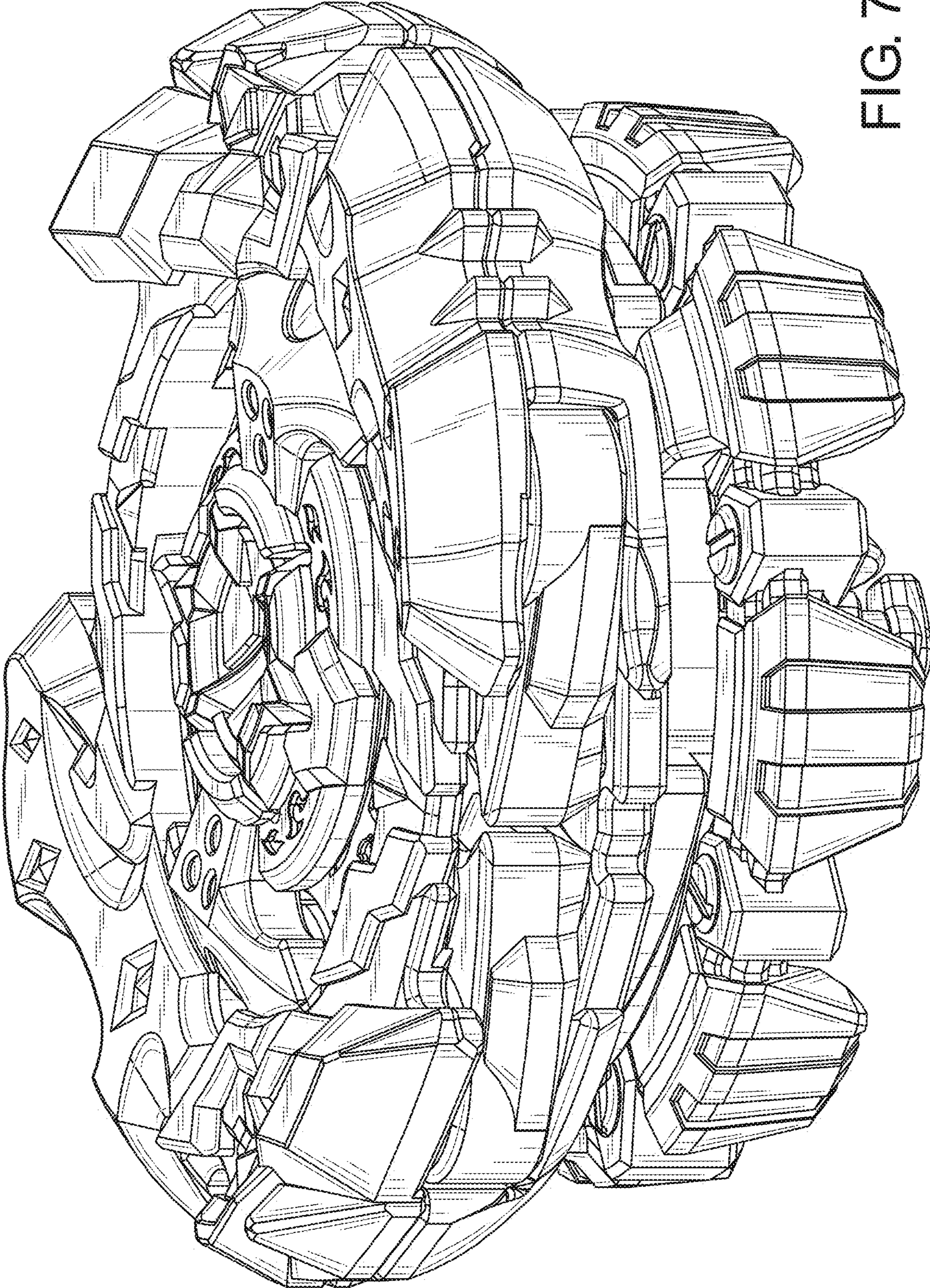


FIG. 7

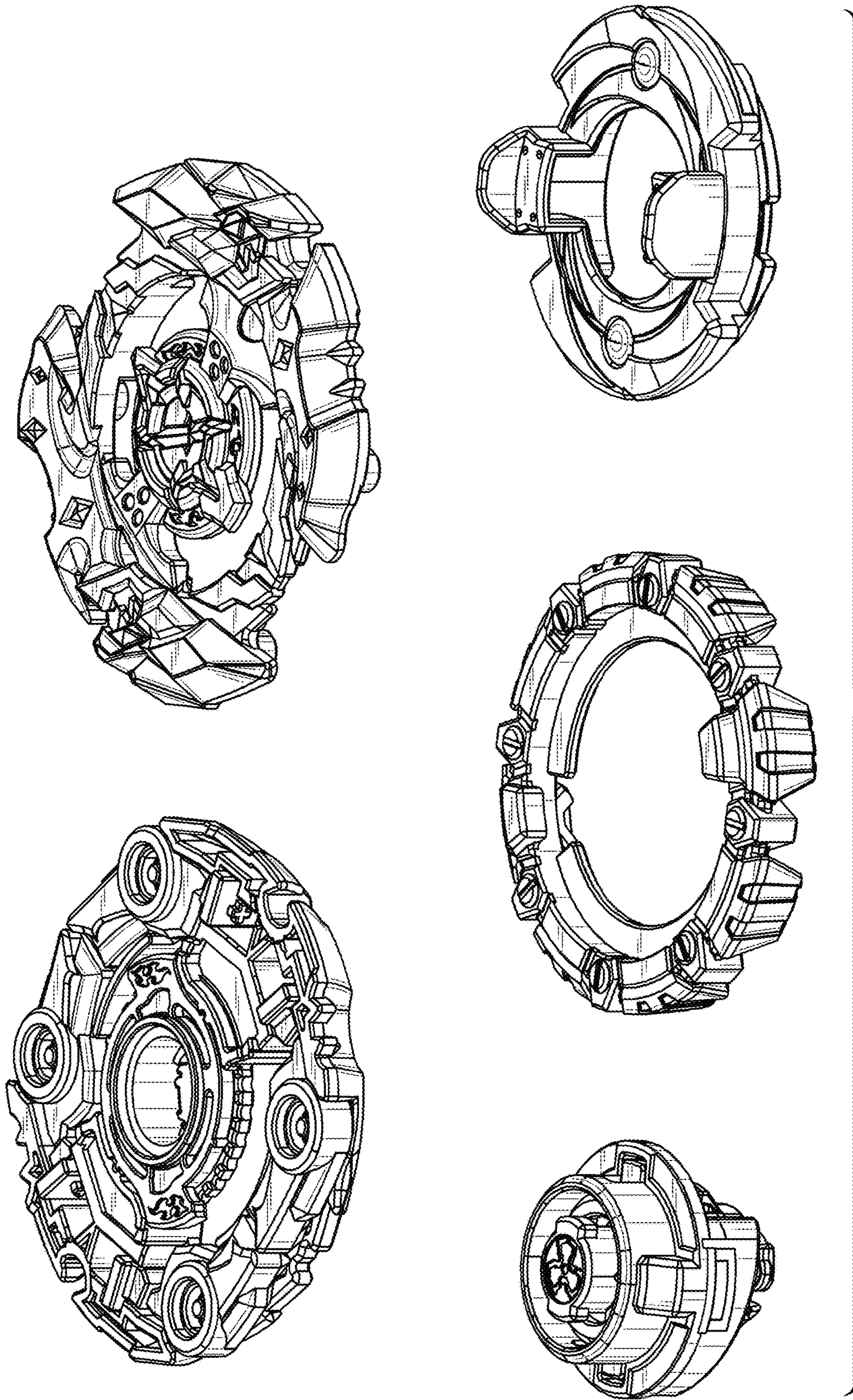


FIG. 8

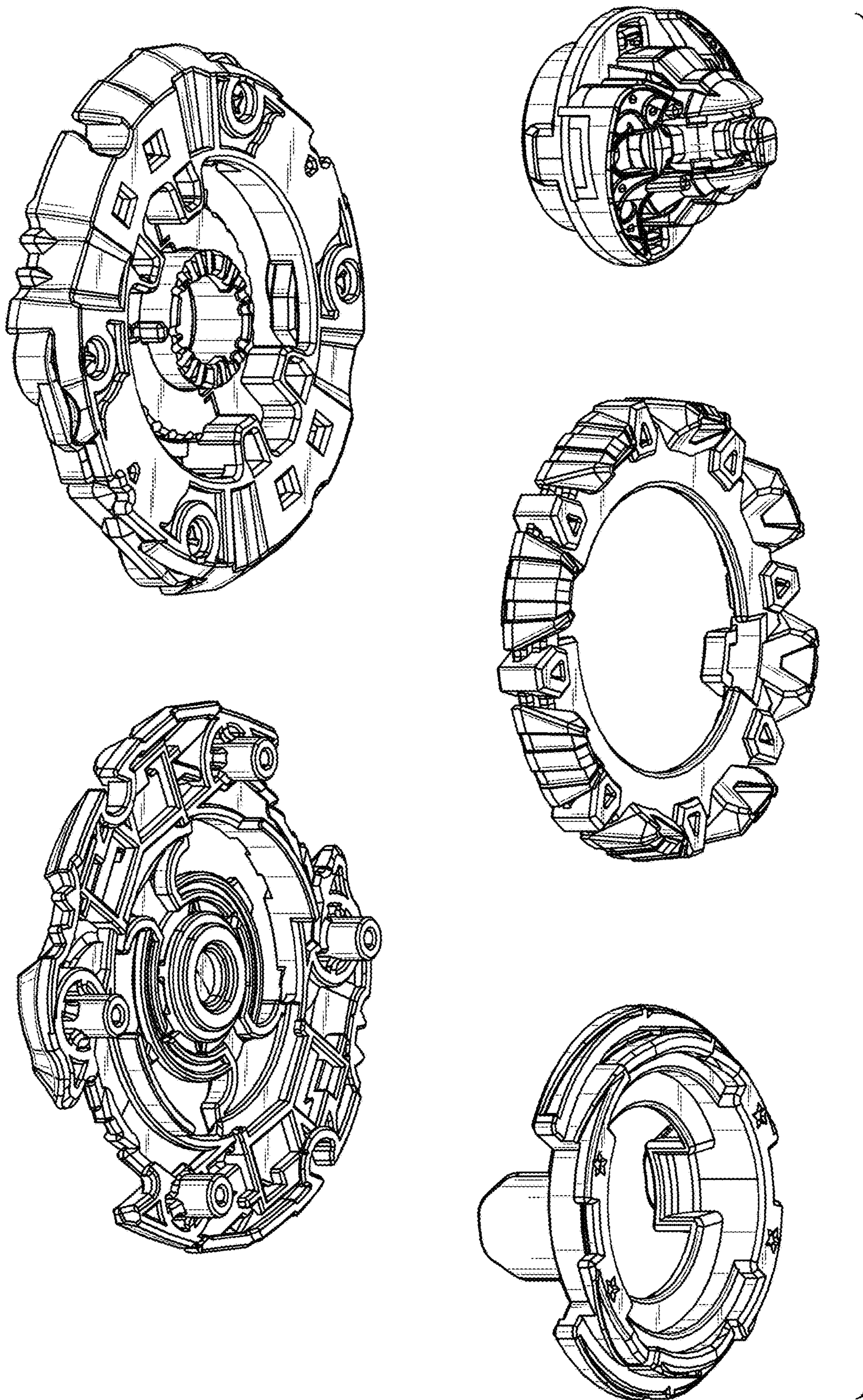


FIG. 9