



US00D889563S

(12) **United States Design Patent**  
**Ozer**

(10) **Patent No.:** **US D889,563 S**  
(45) **Date of Patent:** **\*\* Jul. 7, 2020**

(54) **TOY WITH SPRING MECHANISM**

(71) Applicant: **SPIN TRICKS TOYS INC.**, Tenafly,  
NJ (US)

(72) Inventor: **Reuven Ozer**, Tel Aviv (IL)

(73) Assignee: **SPIN TRICKS TOYS INC.**, Tenafly,  
NJ (US)

(\*\*) Term: **15 Years**

(21) Appl. No.: **29/671,344**

(22) Filed: **Nov. 27, 2018**

(30) **Foreign Application Priority Data**

May 29, 2018 (IL) ..... 62138  
May 29, 2018 (IL) ..... 62139

(51) **LOC (12) Cl.** ..... **21-01**

(52) **U.S. Cl.**  
USPC ..... **D21/460**

(58) **Field of Classification Search**  
USPC ..... D21/455-464, 441, 443, 444;  
446/236-266  
CPC ..... A63H 1/00-32  
See application file for complete search history.

(56) **References Cited**

**U.S. PATENT DOCUMENTS**

931,901 A \* 8/1909 Towne ..... A63H 1/06  
446/241  
1,571,901 A \* 2/1926 Monson ..... A63F 5/04  
273/147  
2,075,729 A \* 3/1937 Kee ..... A63H 1/26  
446/258  
D117,260 S \* 10/1939 Egerton ..... D21/458  
D158,908 S \* 6/1950 Sullivan ..... D21/460  
3,613,295 A \* 10/1971 Everett ..... A63H 33/18  
446/46

D241,055 S \* 8/1976 Wohlstrom ..... D21/460  
D356,347 S \* 3/1995 Nonaka ..... D21/460  
6,120,342 A \* 9/2000 Chan ..... A63H 1/32  
446/247  
D480,766 S \* 10/2003 Moon ..... D21/398  
D533,232 S \* 12/2006 Kawanami ..... D21/444  
D629,847 S \* 12/2010 Ujita ..... D21/460  
D629,848 S \* 12/2010 Ujita ..... D21/460  
D647,144 S \* 10/2011 Robins ..... D21/460  
D677,739 S \* 3/2013 Wojtaszek ..... D21/437  
D683,798 S \* 6/2013 Goldman ..... D21/398  
D843,488 S \* 3/2019 Brous ..... D21/455  
2010/0159798 A1 \* 6/2010 Bertrand ..... A63H 1/02  
446/259  
2015/0079874 A1 \* 3/2015 Strauss ..... F41B 3/03  
446/308

(Continued)

**FOREIGN PATENT DOCUMENTS**

CA 2906247 A1 \* 2/2016 ..... A63H 1/00  
CA 2906252 A1 \* 2/2016 ..... A63H 1/00

(Continued)

*Primary Examiner* — Catherine A Tuttle  
(74) *Attorney, Agent, or Firm* — Mark M. Friedman

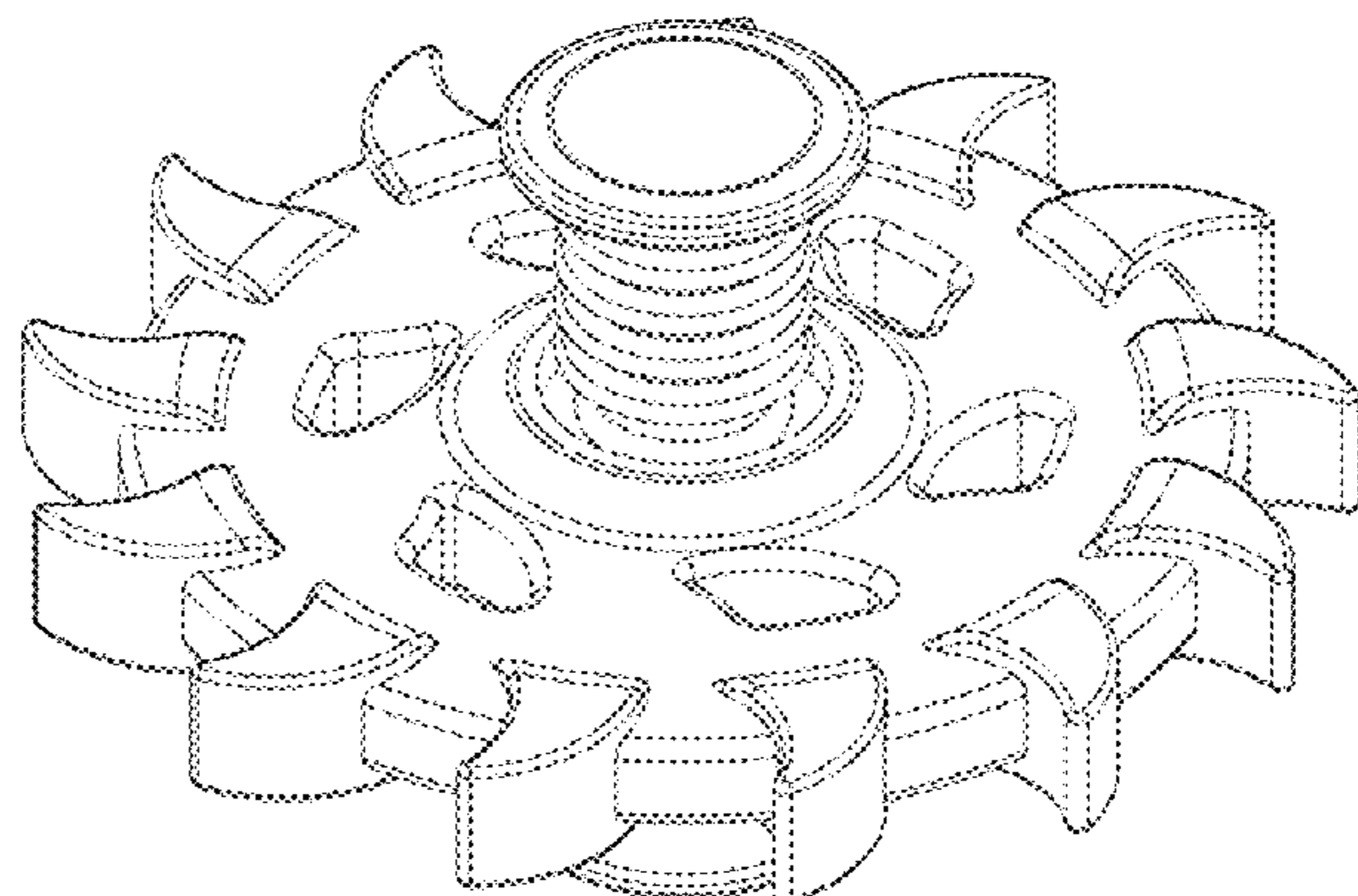
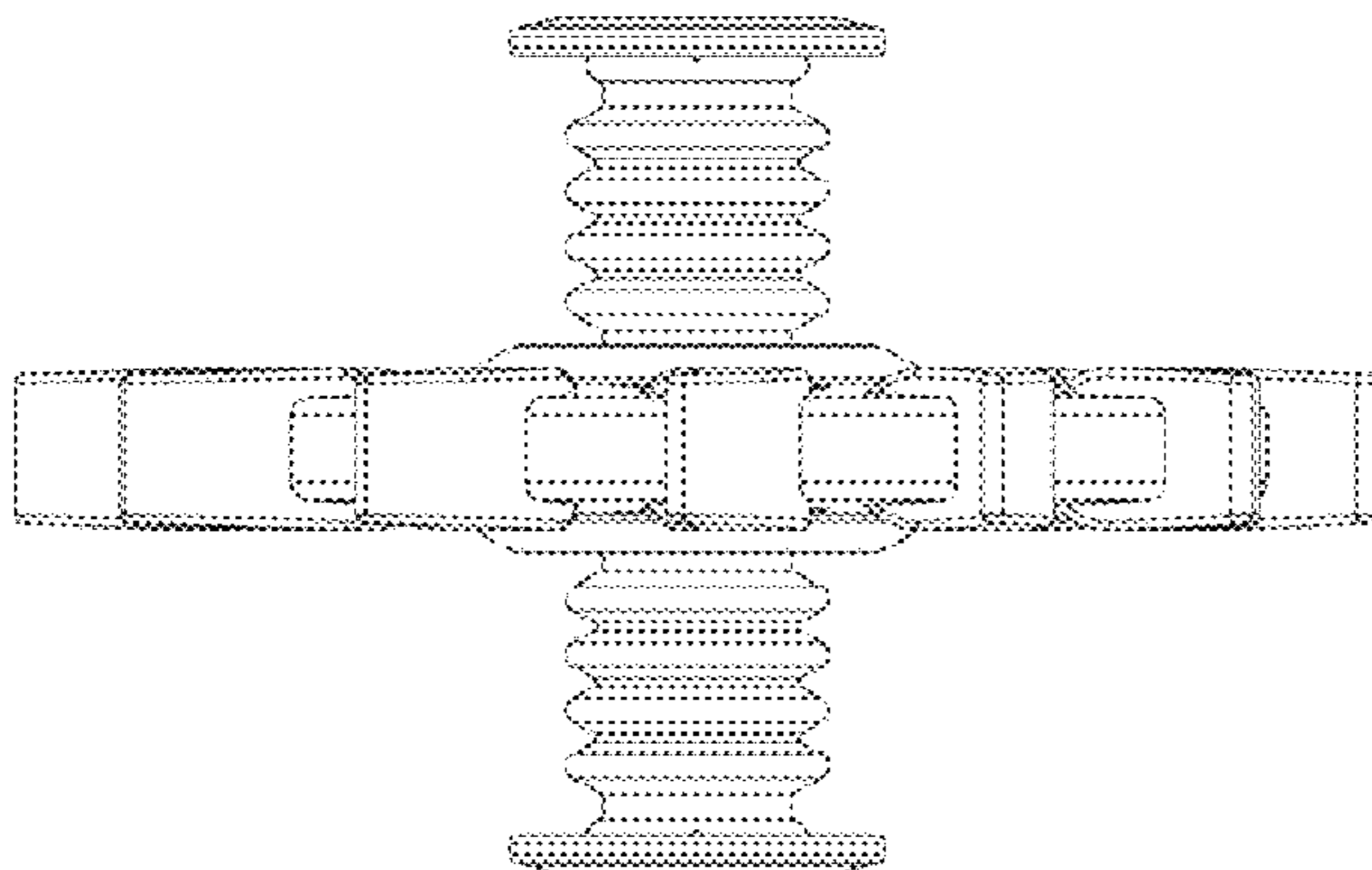
(57) **CLAIM**

The ornamental design for a toy with spring mechanism, as shown and described.

**DESCRIPTION**

FIG. 1 is a top view of a toy with spring mechanism, showing my design;  
FIG. 2 is a bottom view thereof;  
FIG. 3 is a left side view thereof;  
FIG. 4 is a right side view thereof;  
FIG. 5 is a front view thereof, the rear view being a mirror image of the front view;  
FIG. 6 is a top perspective view thereof; and,  
FIG. 7 is a bottom perspective view thereof.

**1 Claim, 7 Drawing Sheets**



(56)

**References Cited**

U.S. PATENT DOCUMENTS

2019/0060774 A1\* 2/2019 Zhong ..... A63H 1/00

FOREIGN PATENT DOCUMENTS

EP 1582242 A1 \* 10/2005 ..... A63H 1/00  
FR 453627 A \* 6/1913 ..... A63H 1/08  
WO WO-2007046535 A1 \* 4/2007 ..... A63H 1/04

\* cited by examiner

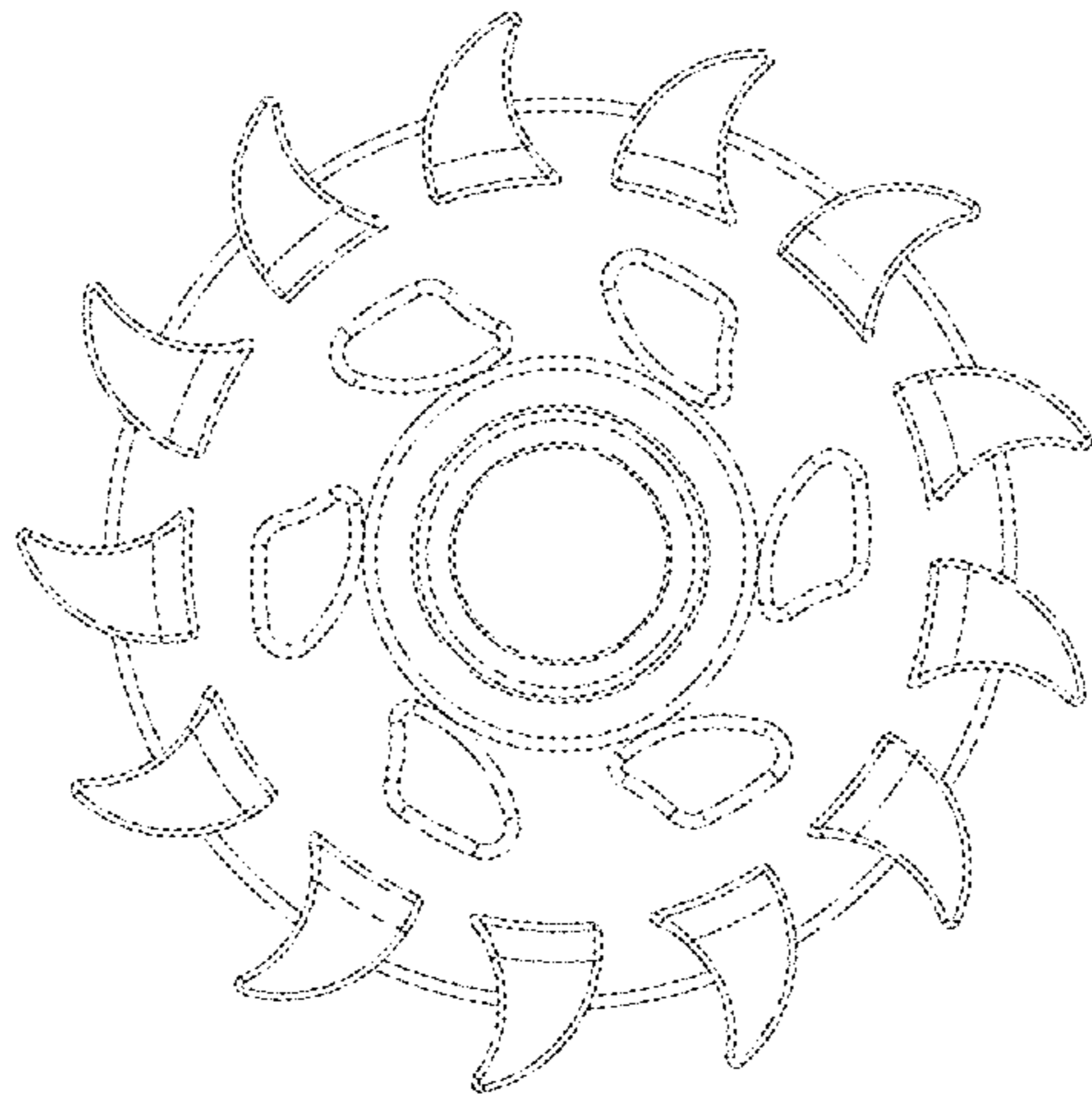


Fig. 1

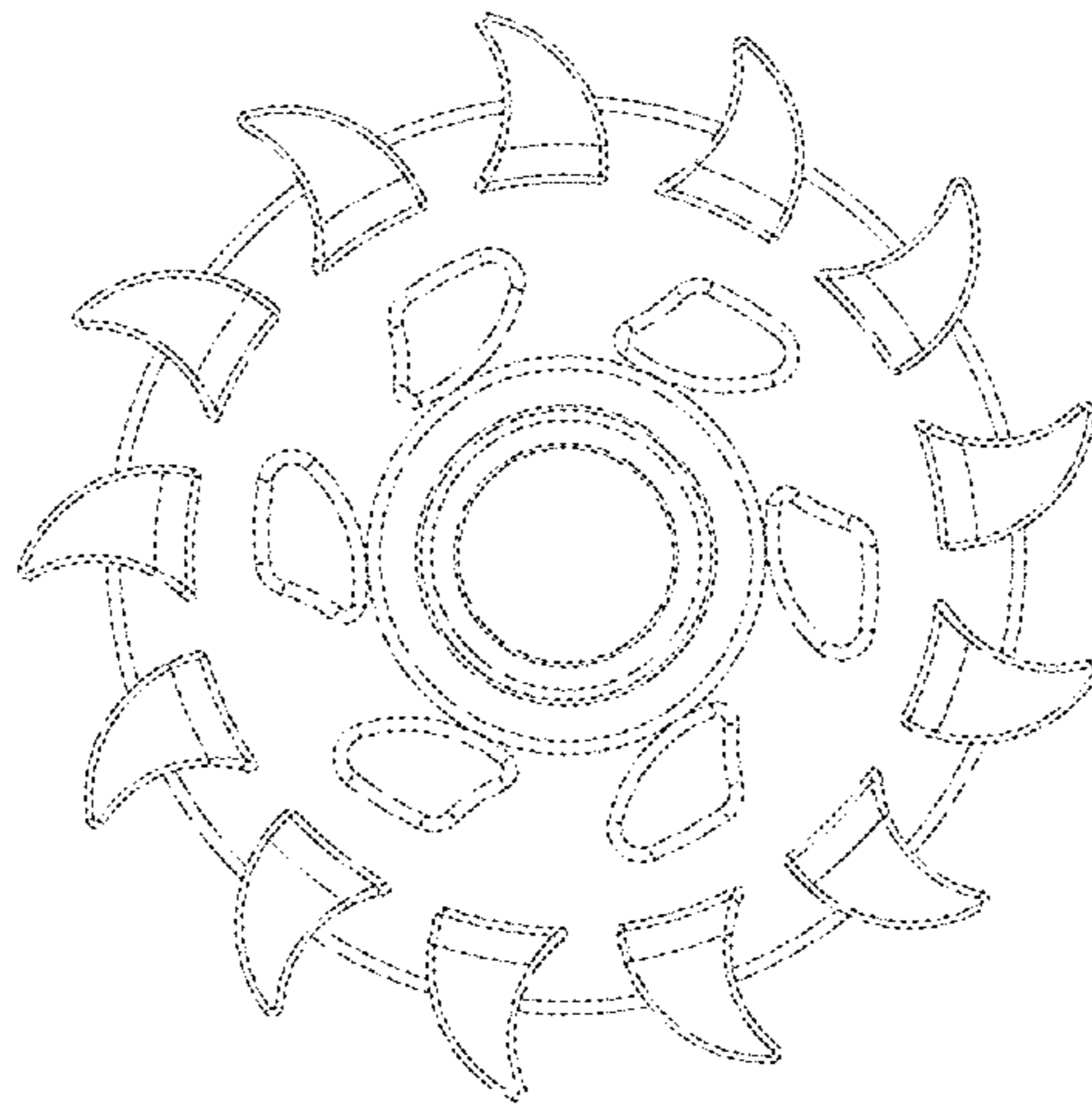


Fig. 2

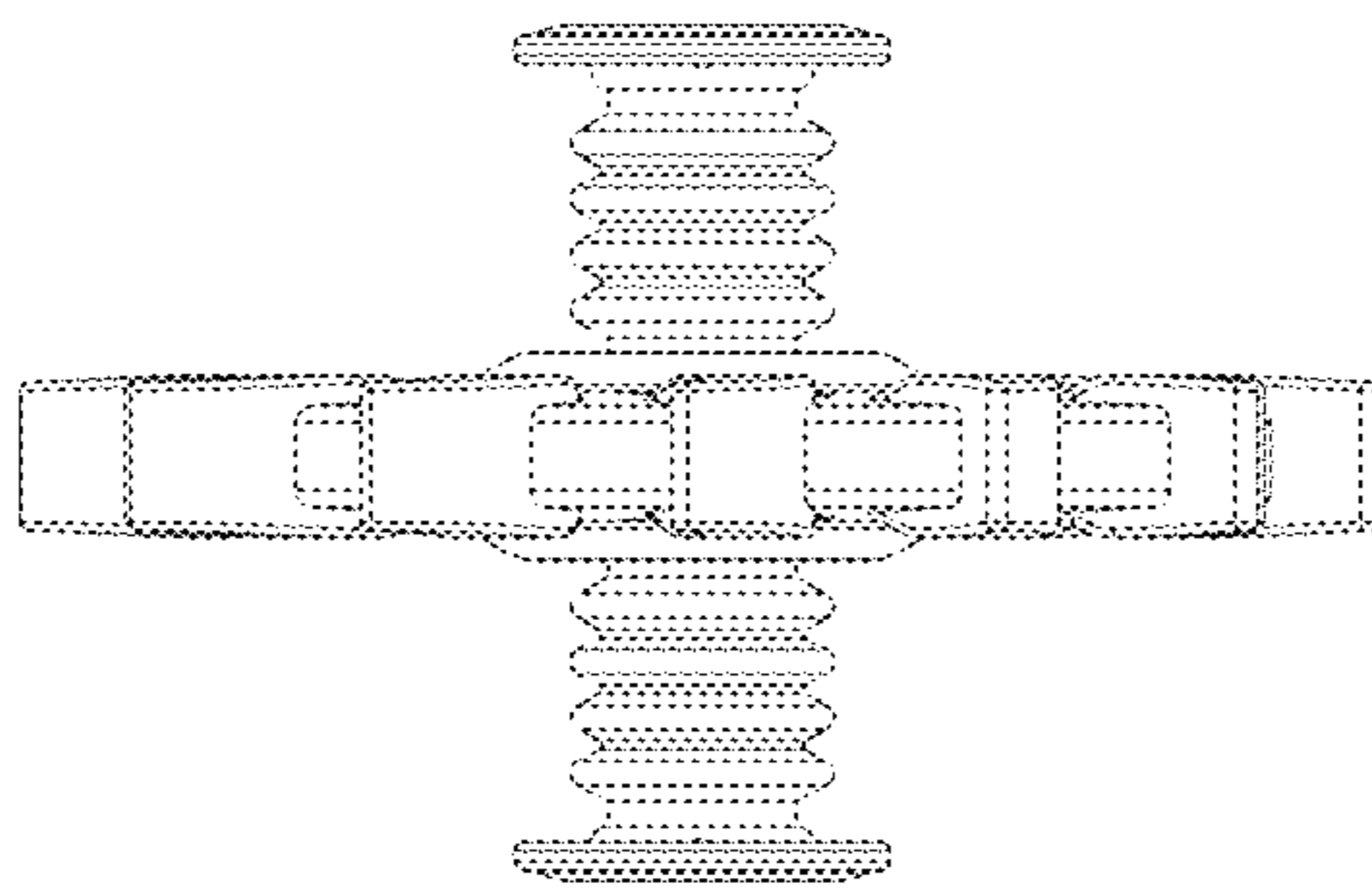


Fig. 3

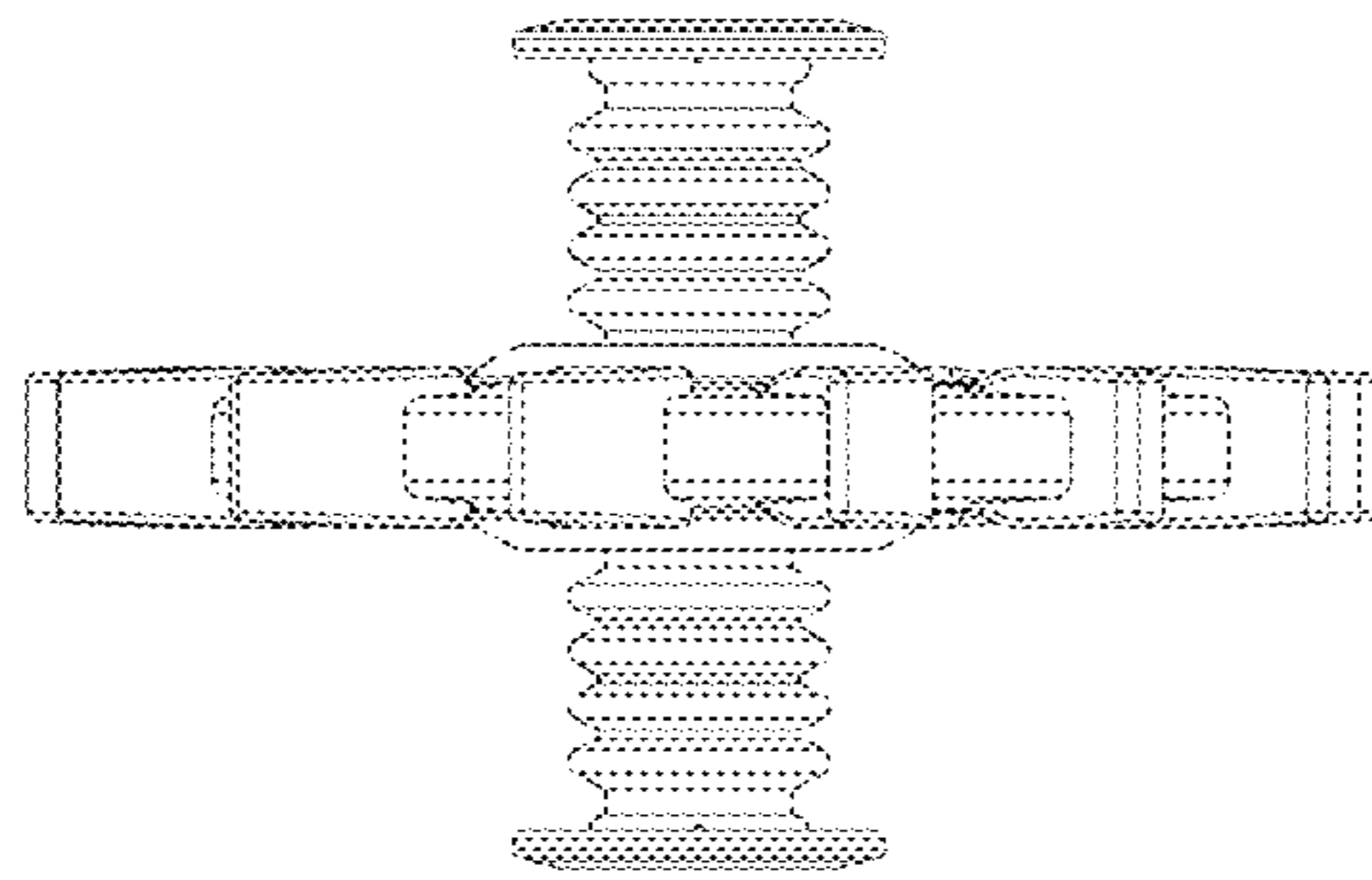


Fig. 4

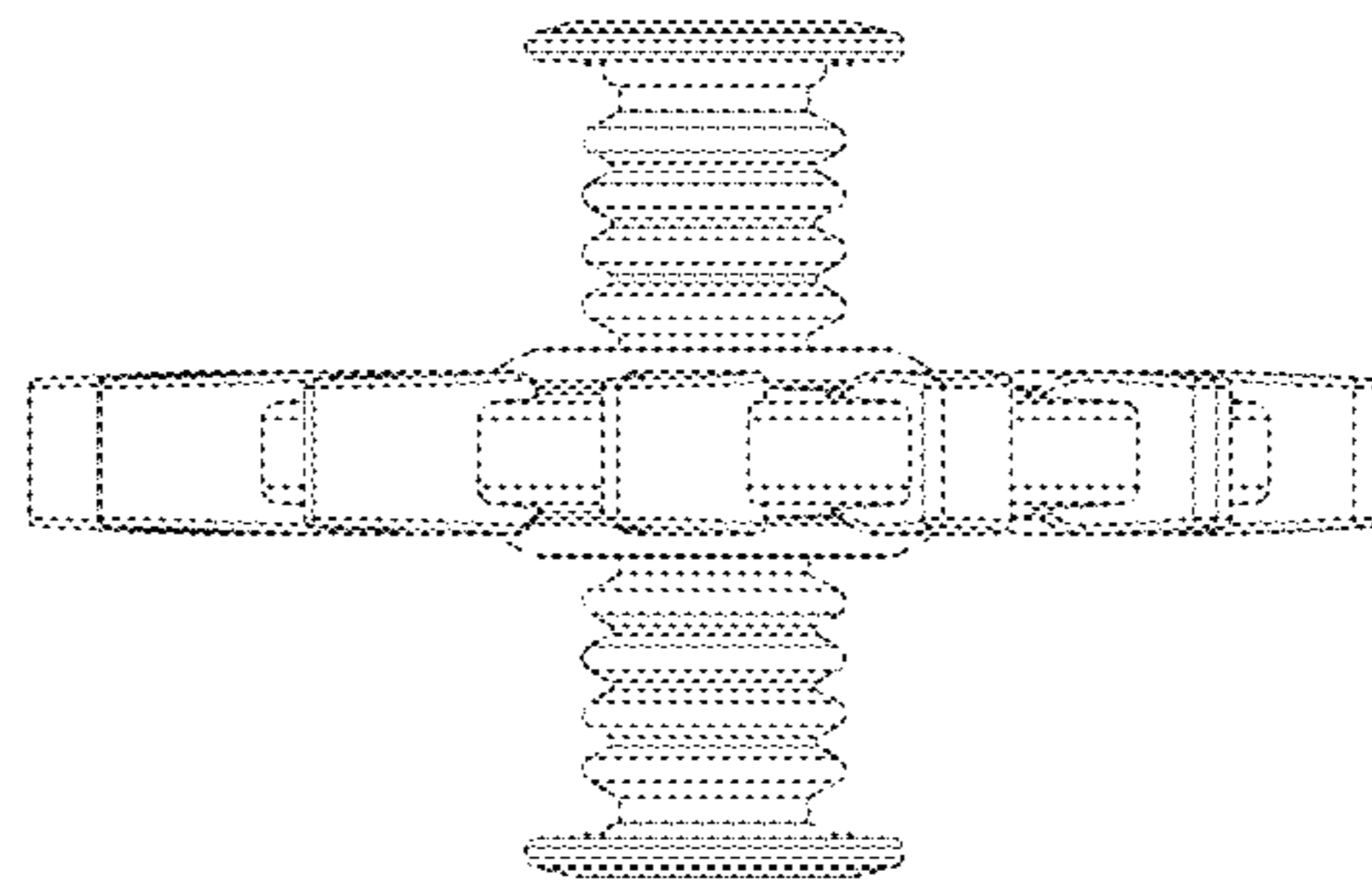


Fig. 5

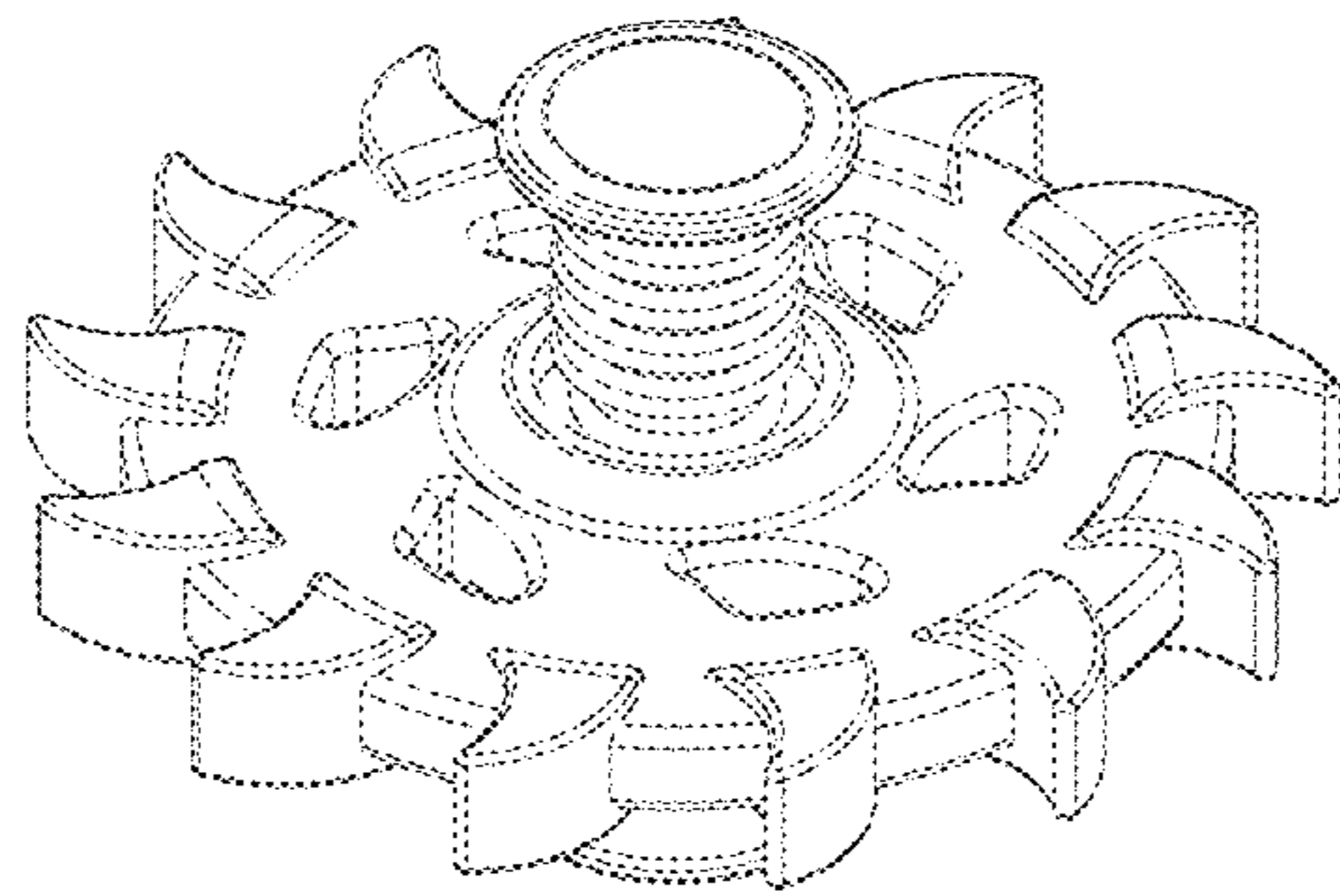


Fig. 6



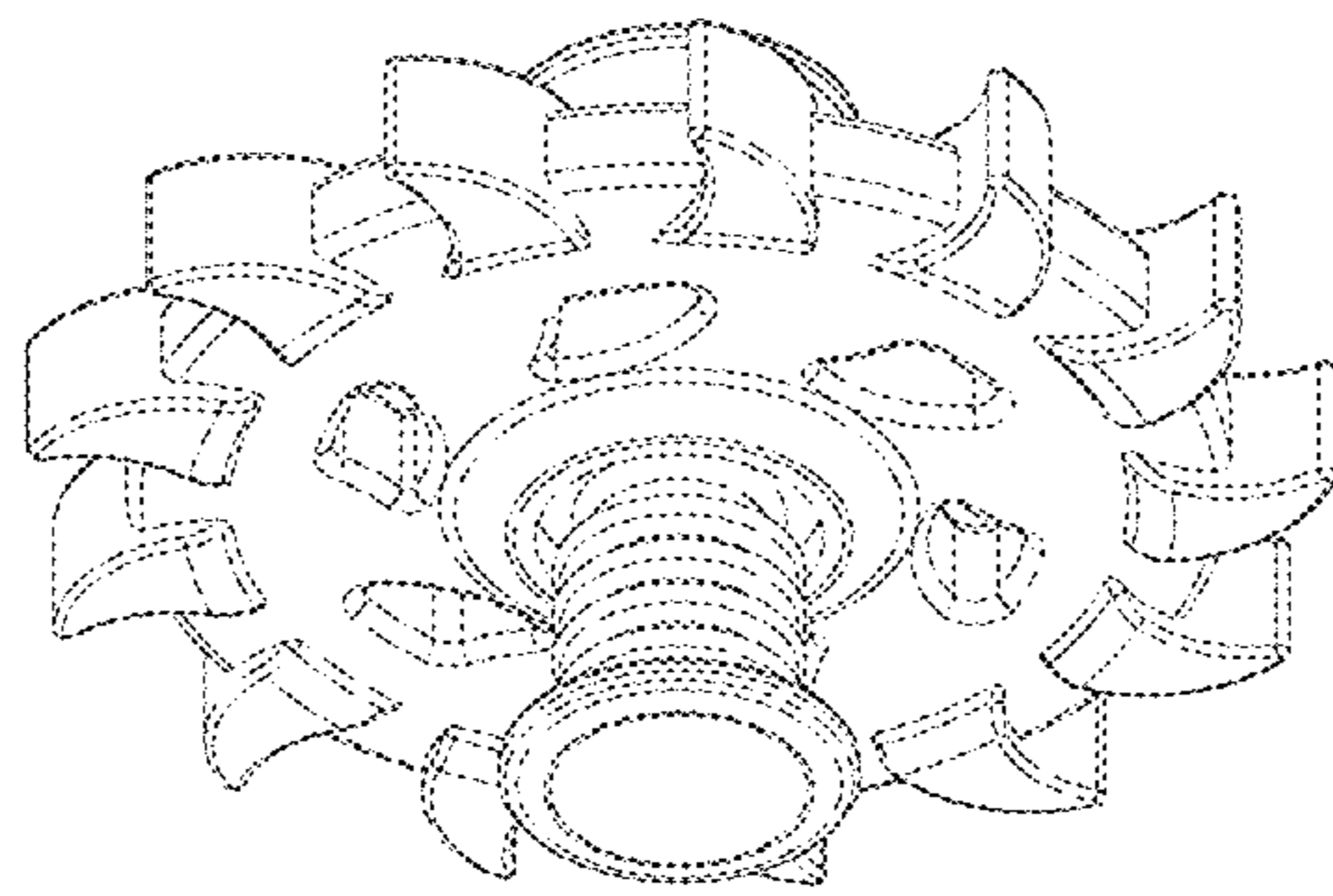


Fig. 7