



US00D889558S

(12) **United States Design Patent**  
**Hooshmand**

(10) **Patent No.:** **US D889,558 S**

(45) **Date of Patent:** **\*\* Jul. 7, 2020**

(54) **BENT-BODIED SCOOTER**

(71) Applicant: **Koosha Hooshmand**, Frenchs Forest (AU)

(72) Inventor: **Koosha Hooshmand**, Frenchs Forest (AU)

(73) Assignee: **Koosha Hooshmand** (AU)

(\*\*) Term: **15 Years**

(21) Appl. No.: **29/676,636**

(22) Filed: **Jan. 13, 2019**

(51) **LOC (12) Cl.** ..... **21-01**

(52) **U.S. Cl.**  
USPC ..... **D21/423**

(58) **Field of Classification Search**  
USPC ..... D21/419, 421, 423, 760, 765, 771;  
D12/1, 8, 107, 110, 112, 113, 114  
CPC ..... B62K 3/002; B62K 9/00; B62K 2202/00;  
B60Y 2200/126  
See application file for complete search history.

(56) **References Cited**

**U.S. PATENT DOCUMENTS**

2,413,530 A \* 12/1946 Taylor ..... B62K 5/00  
280/87.041  
D273,963 S \* 5/1984 Mayers ..... D21/423

D304,210 S \* 10/1989 Fonte ..... D21/423  
D442,646 S \* 5/2001 Jetter ..... D21/423  
D443,315 S \* 6/2001 Jetter ..... D21/423  
D830,468 S \* 10/2018 Liu ..... D21/423  
D835,206 S \* 12/2018 Lin ..... D21/423  
D838,783 S \* 1/2019 Uchiyama ..... D21/423  
D841,097 S \* 2/2019 Zeng ..... D21/423  
D849,153 S \* 5/2019 Zhang ..... D21/423  
D872,191 S \* 1/2020 Lee ..... D21/423

\* cited by examiner

*Primary Examiner* — Cynthia M. Chin

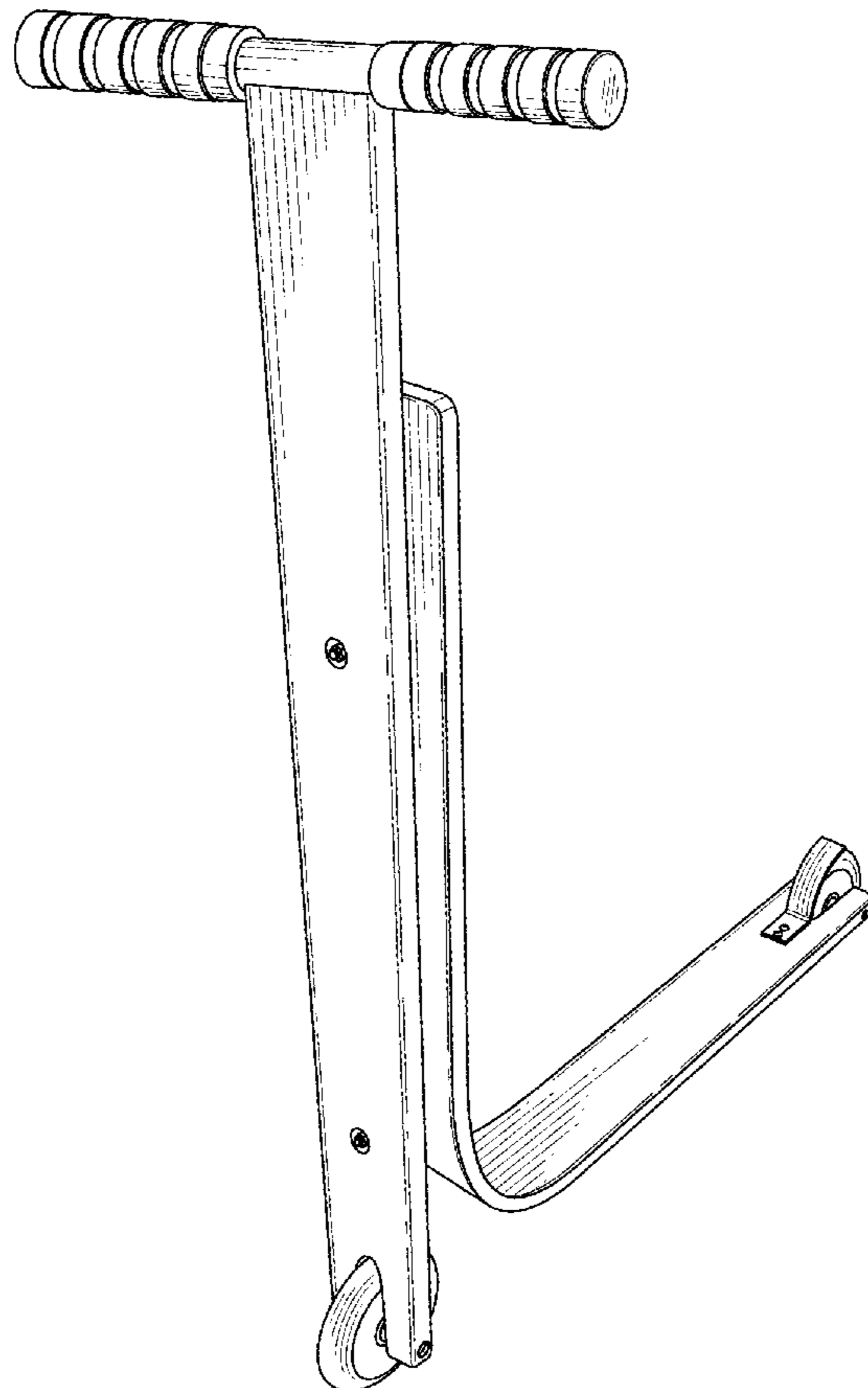
(57) **CLAIM**

The ornamental design for a bent-bodied scooter, as shown and described.

**DESCRIPTION**

FIG. 1 is a front-perspective view of my new design;  
FIG. 2 is a front view thereof;  
FIG. 3 is a rear view thereof;  
FIG. 4 is a left/side view thereof (note: a right/side view has been omitted as the design is identical from both sides);  
FIG. 5 is a top view thereof;  
FIG. 6 is bottom view thereof; and,  
FIG. 7 is a rear-perspective view thereof.  
The shade lines in the Figures show contour and not surface ornamentation.

**1 Claim, 5 Drawing Sheets**



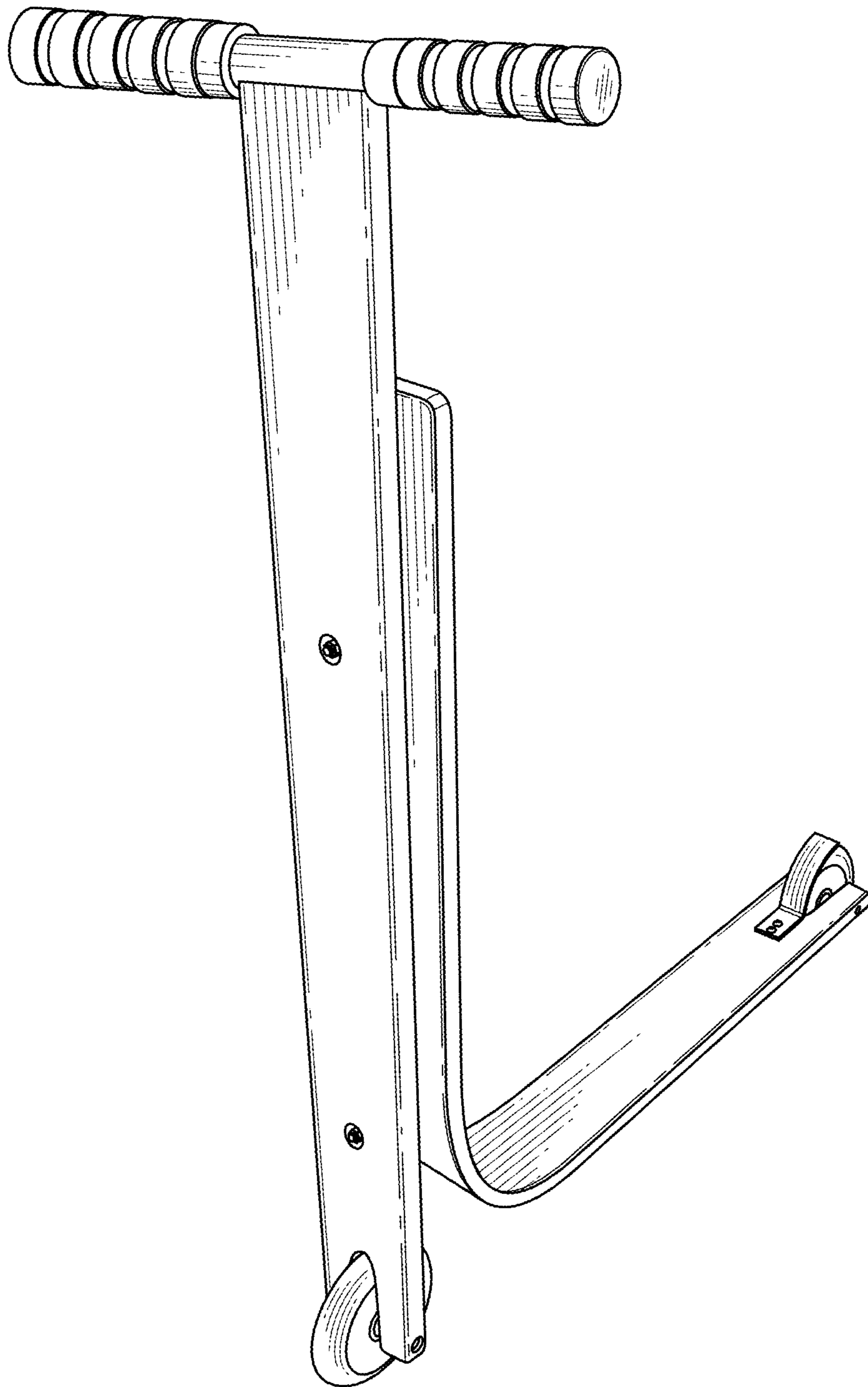


FIG. 1

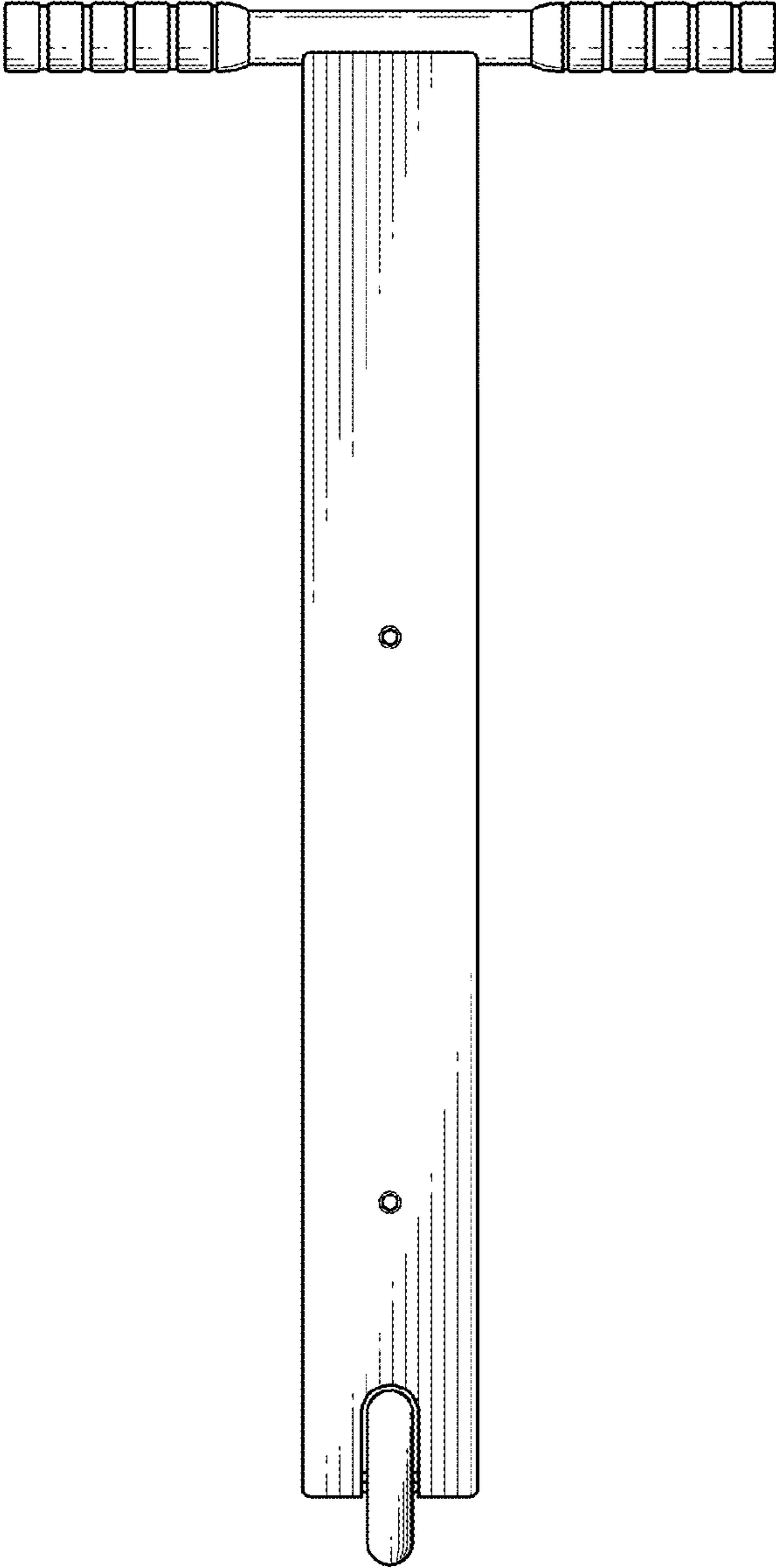


FIG. 2

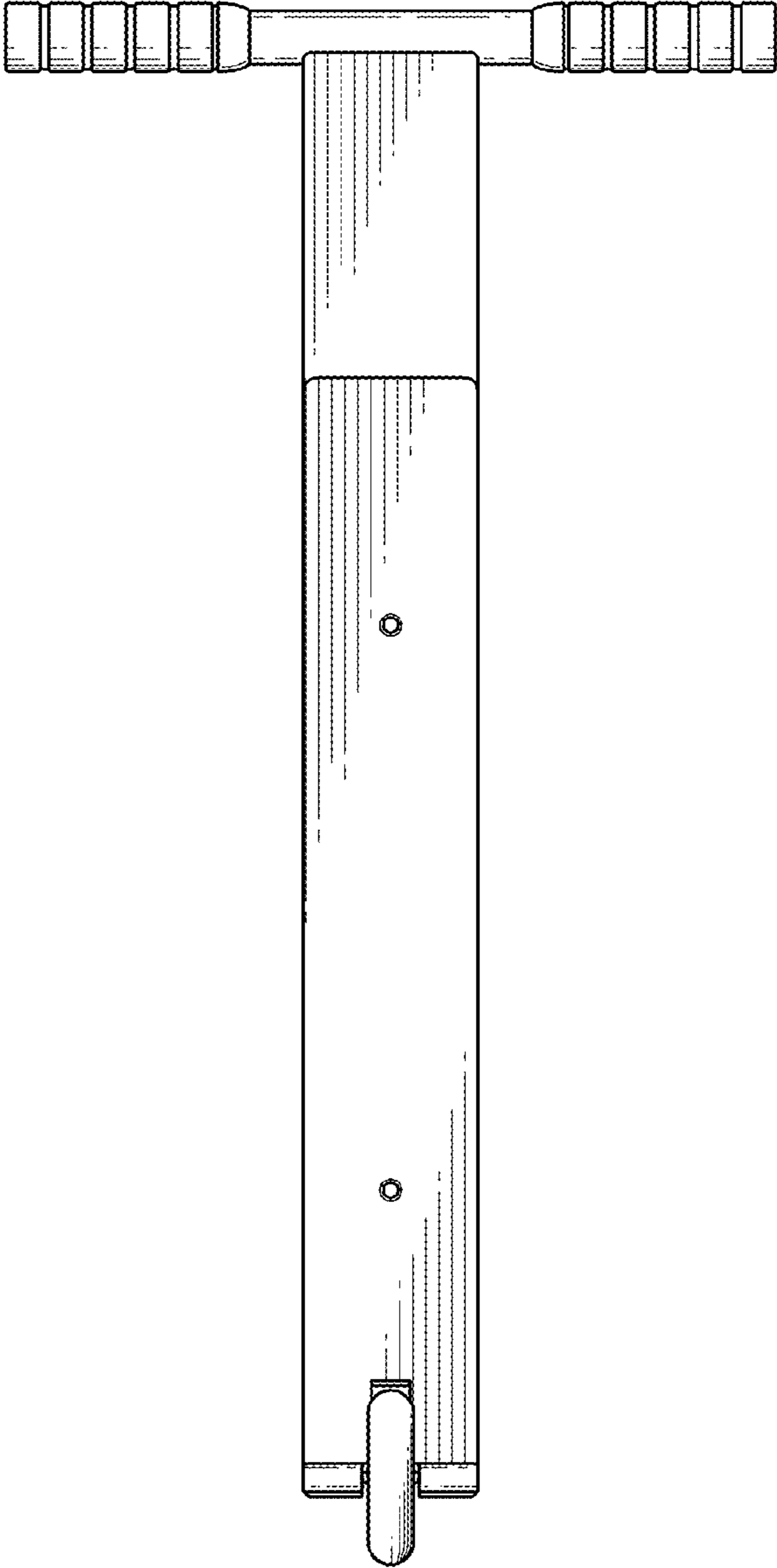


FIG. 3

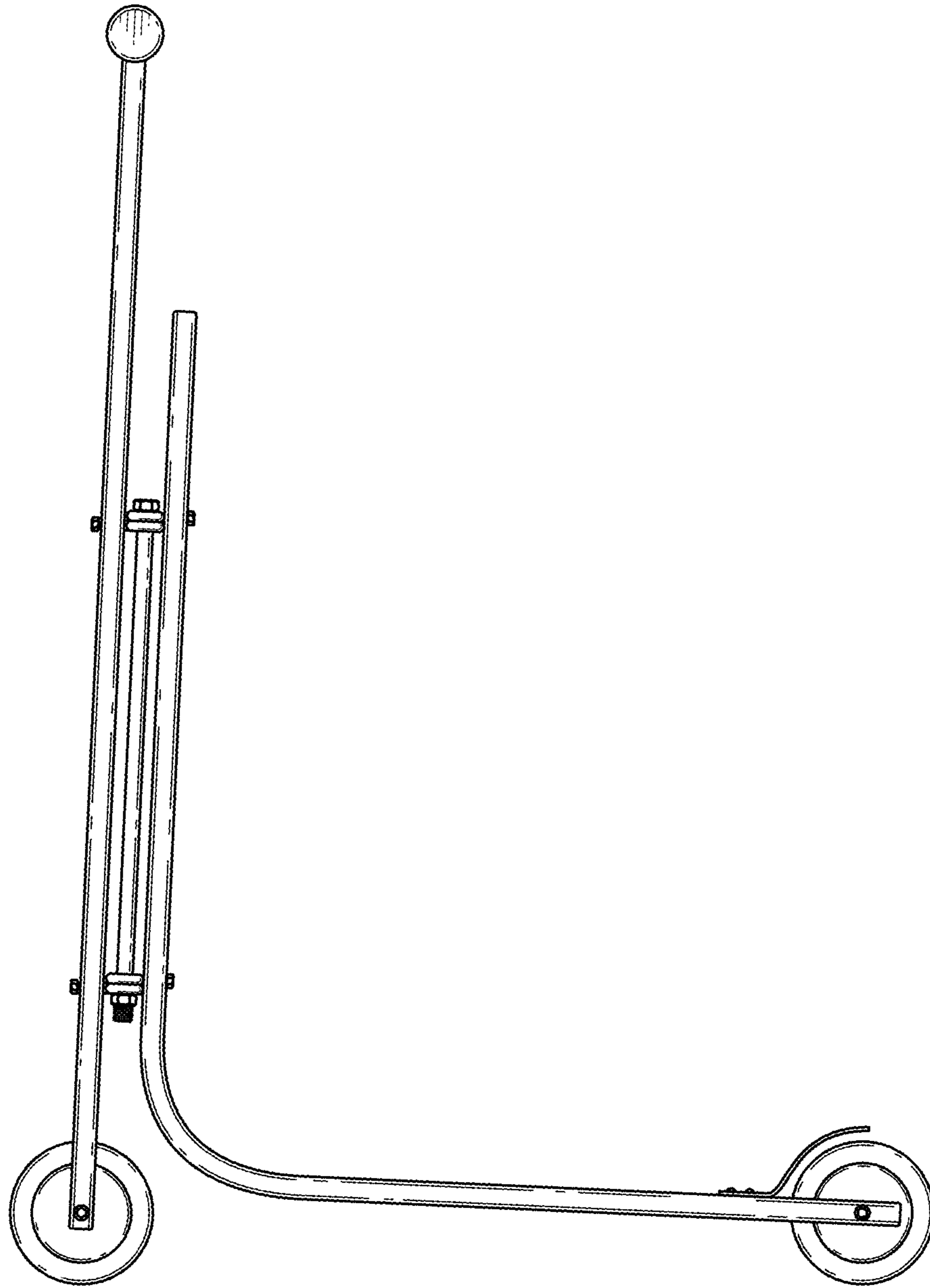


FIG. 4

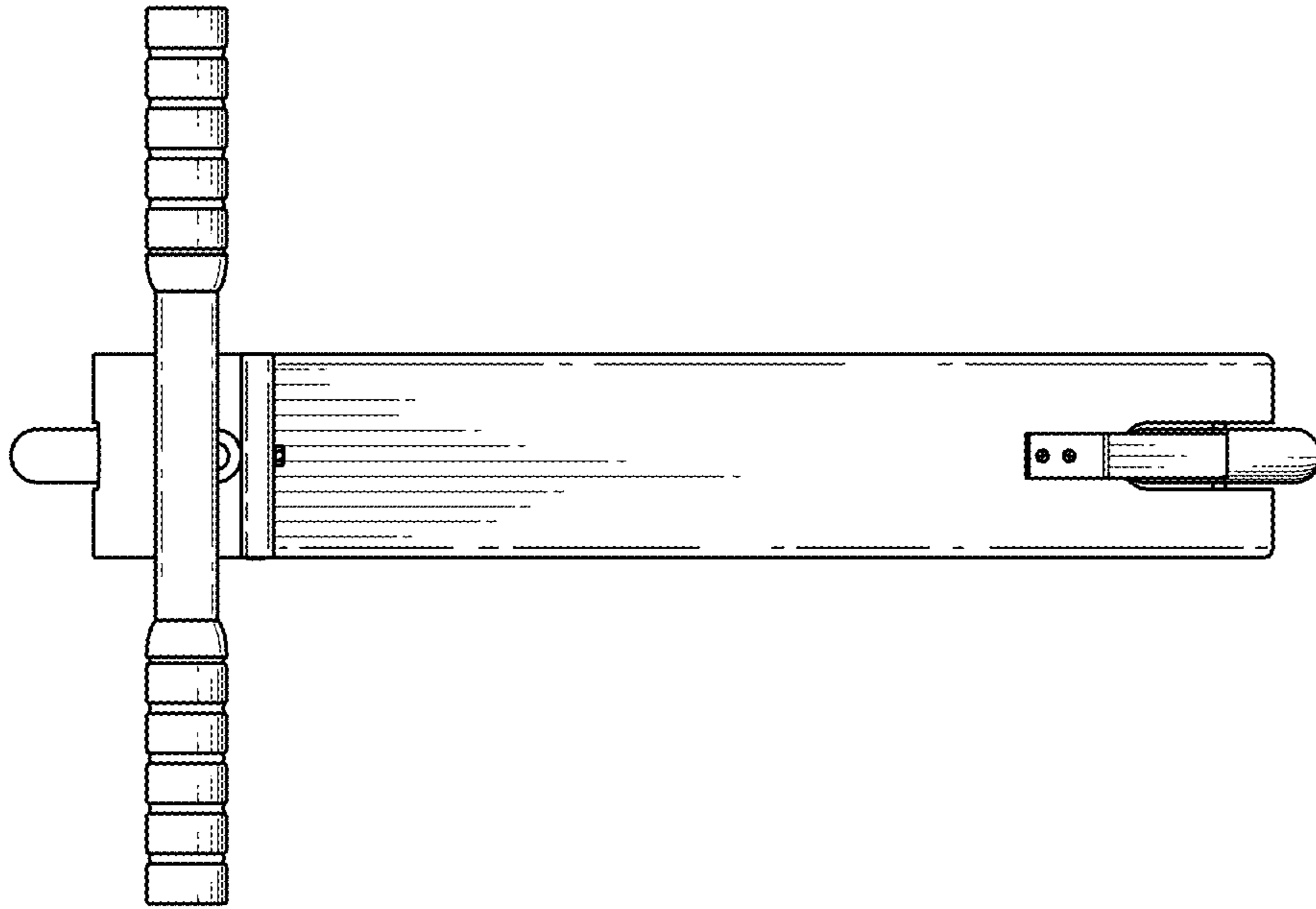


FIG. 5

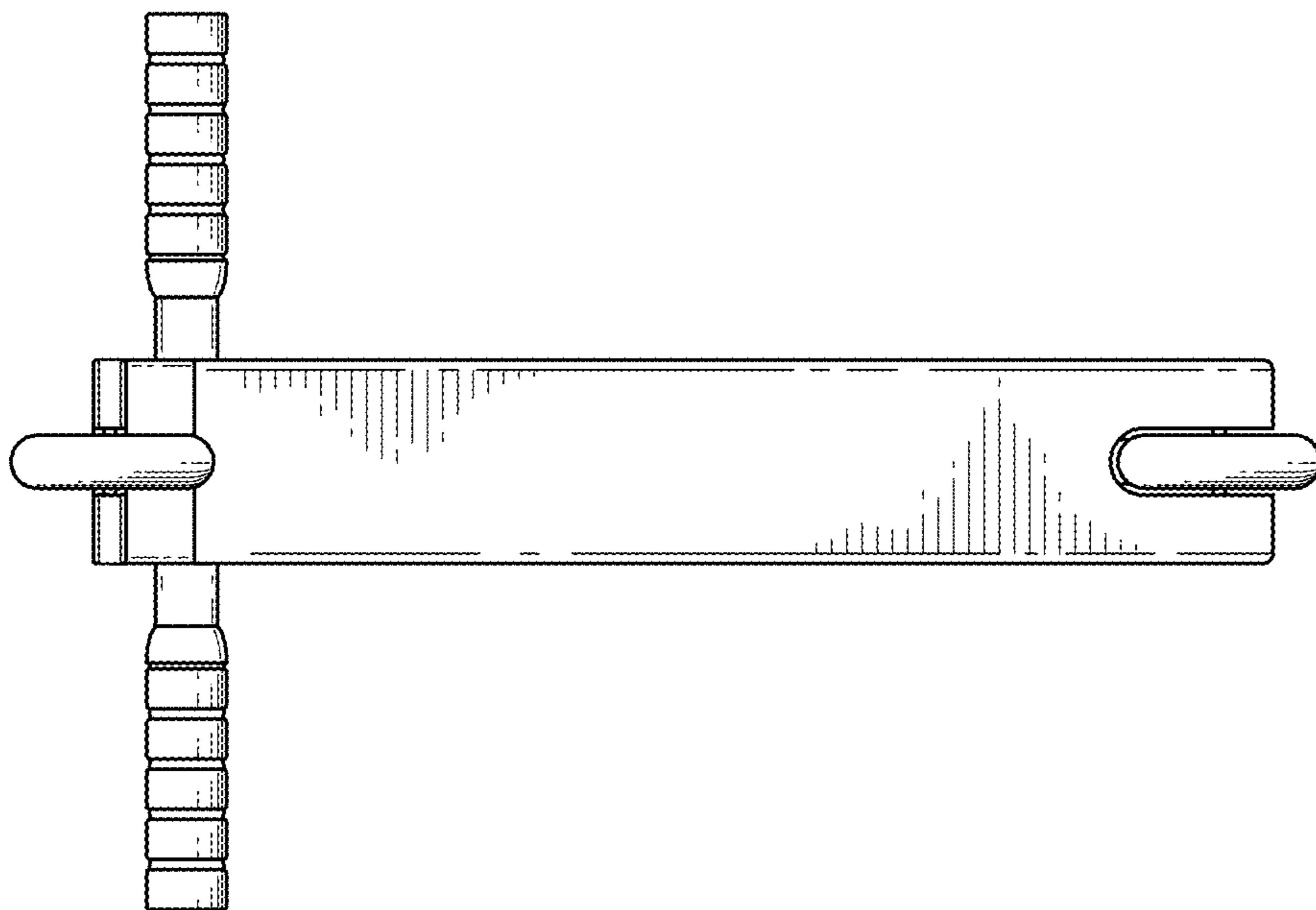


FIG. 6

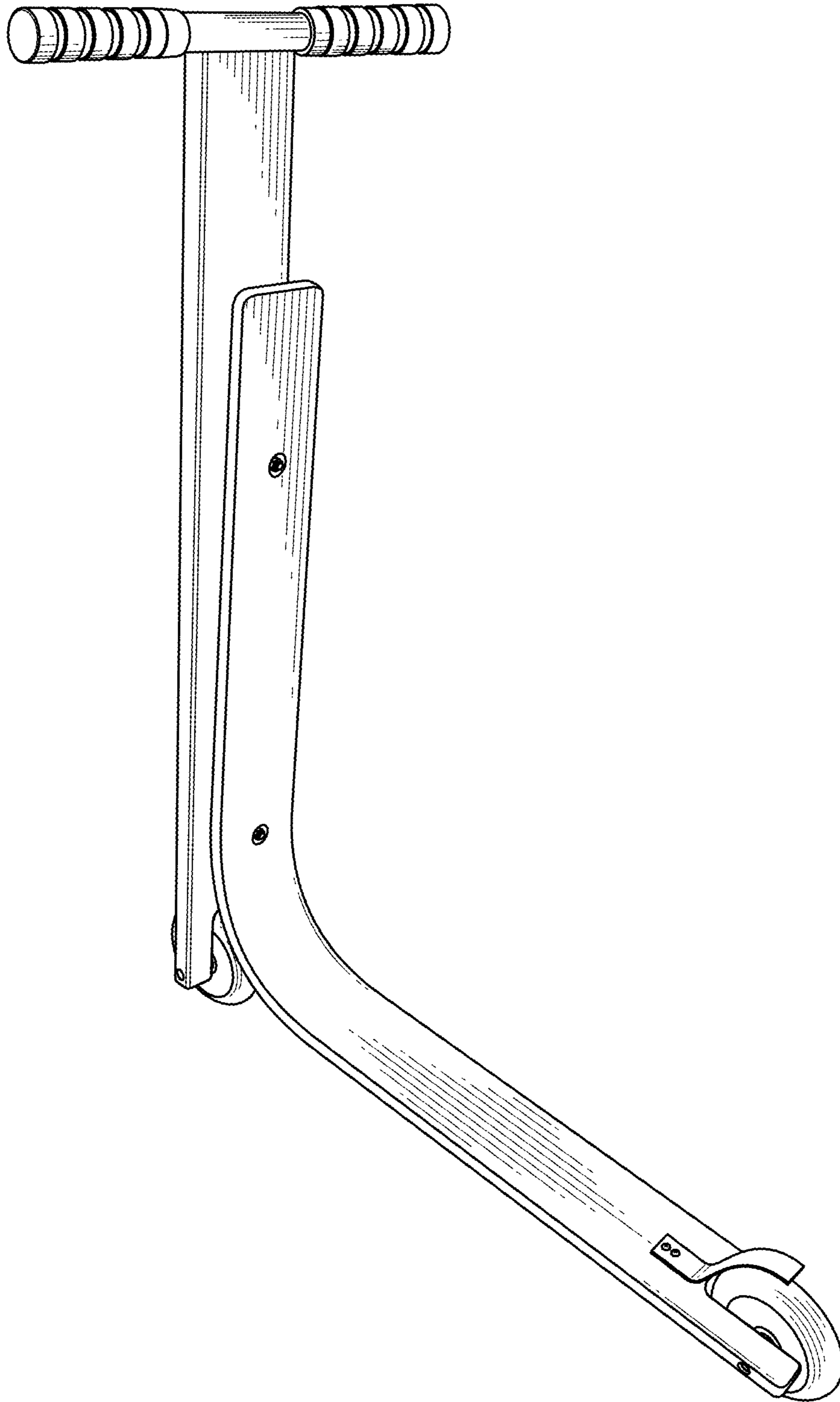


FIG. 7