



US00D889557S

(12) **United States Design Patent**  
**Cao**

(10) **Patent No.:** **US D889,557 S**

(45) **Date of Patent:** **\*\* Jul. 7, 2020**

(54) **SCOOTER**

(71) Applicant: **Zhejiang Taotao Vehicles Co., Ltd.**,  
Lishui, Zhejiang Province (CN)

(72) Inventor: **Matao Cao**, Yongkang (CN)

(73) Assignee: **ZHEJIANG TAOTAO VEHICLES CO., LTD.**, Lishui (CN)

(\*\*) Term: **15 Years**

(21) Appl. No.: **29/670,664**

(22) Filed: **Nov. 19, 2018**

(30) **Foreign Application Priority Data**

Jul. 30, 2018 (CN) ..... 2018 3 0413984

(51) **LOC (12) Cl.** ..... **21-01**

(52) **U.S. Cl.**  
USPC ..... **D21/423**

(58) **Field of Classification Search**  
USPC ..... D21/419, 421, 423, 760, 765, 771;  
D12/1, 8, 107, 110, 112, 113, 114  
CPC ..... B62K 3/002; B62K 9/00; B62K 2202/00;  
B60Y 2200/126  
See application file for complete search history.

(56) **References Cited**

**U.S. PATENT DOCUMENTS**

7,311,164 B1 \* 12/2007 Kertes ..... B62J 6/00  
180/180  
D715,870 S \* 10/2014 Talios ..... D21/423

D796,585 S \* 9/2017 Schaap ..... D21/423  
D818,541 S \* 5/2018 Huang ..... D21/423  
D834,097 S \* 11/2018 Lin ..... D21/423  
D858,646 S \* 9/2019 Yang ..... D21/423  
D860,917 S \* 9/2019 Tan ..... D12/423  
2018/0207656 A1 \* 7/2018 Wang ..... B05B 9/007

\* cited by examiner

*Primary Examiner* — Cynthia M. Chin

(74) *Attorney, Agent, or Firm* — Bayramoglu Law Offices LLC

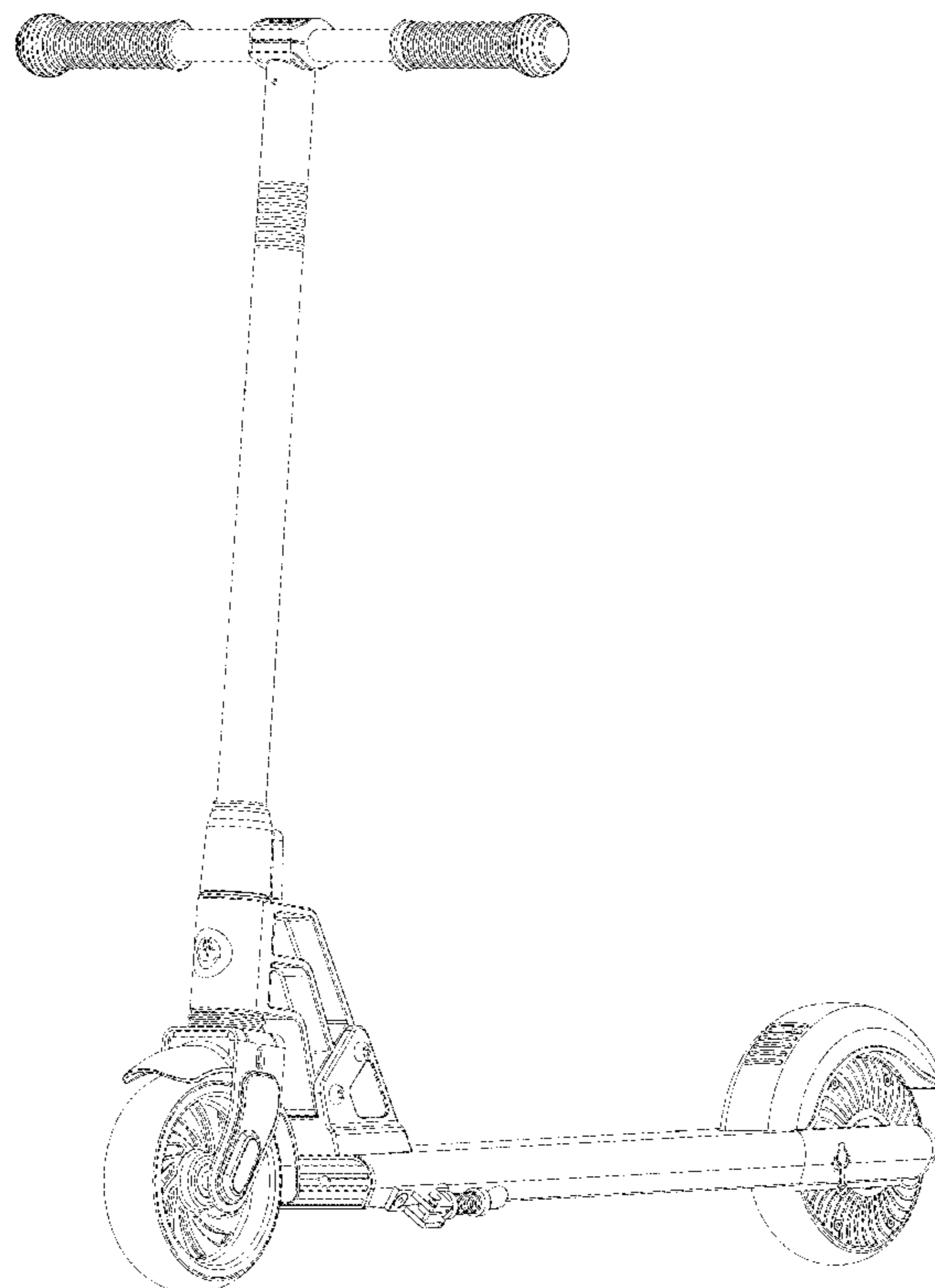
(57) **CLAIM**

The ornamental design for a scooter, as shown and described.

**DESCRIPTION**

FIG. 1 is a perspective view of a scooter showing my new design;  
FIG. 2 is a left side elevation view thereof;  
FIG. 3 is a right side elevation view thereof;  
FIG. 4 is a front elevation view thereof;  
FIG. 5 is a rear elevation view thereof;  
FIG. 6 is a top plan view thereof; and,  
FIG. 7 is a bottom plan view thereof.  
The broken lines are for the purpose of illustrating portions of the scooter that form no part of the claimed design.

**1 Claim, 7 Drawing Sheets**



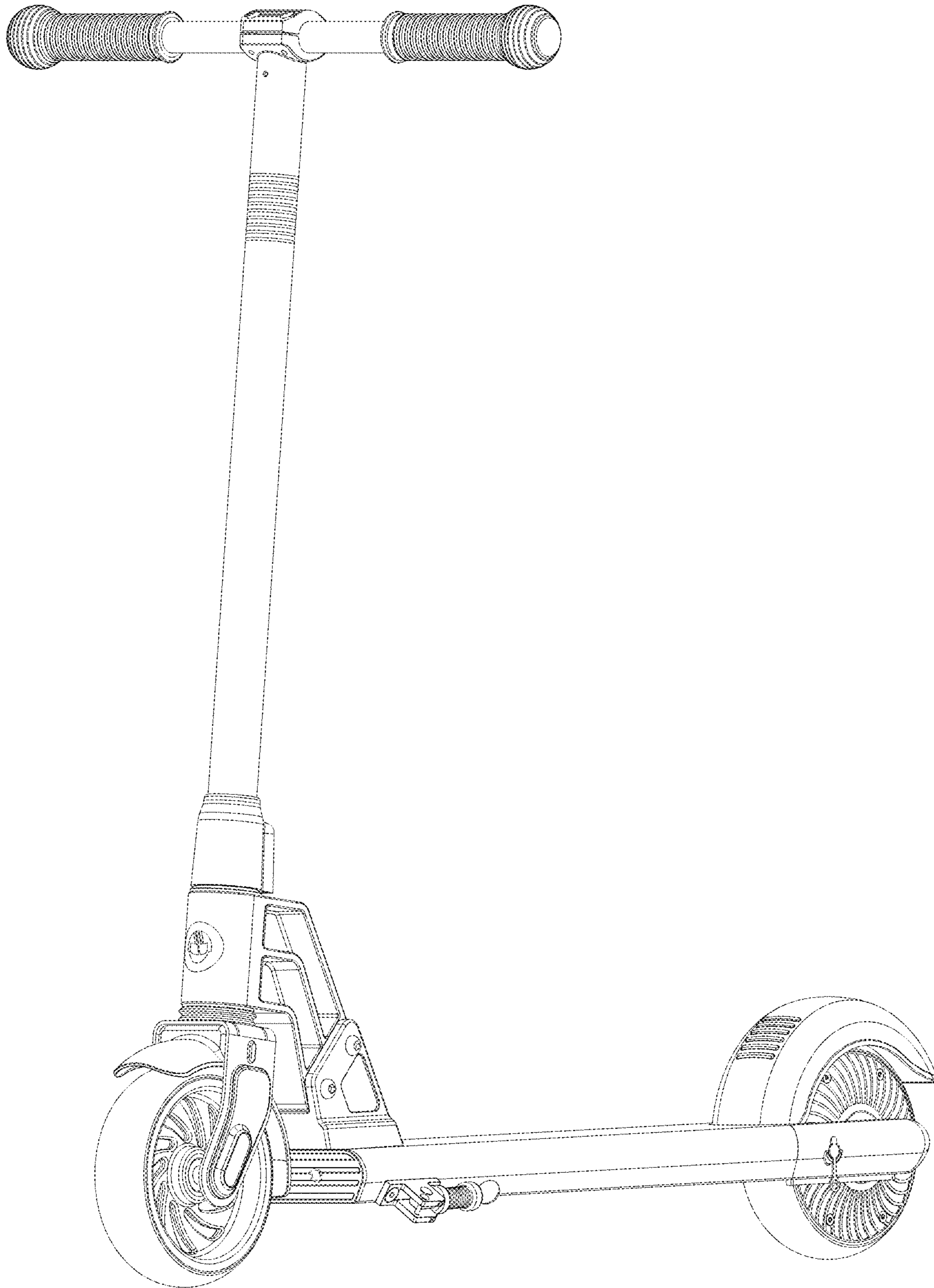


FIG. 1

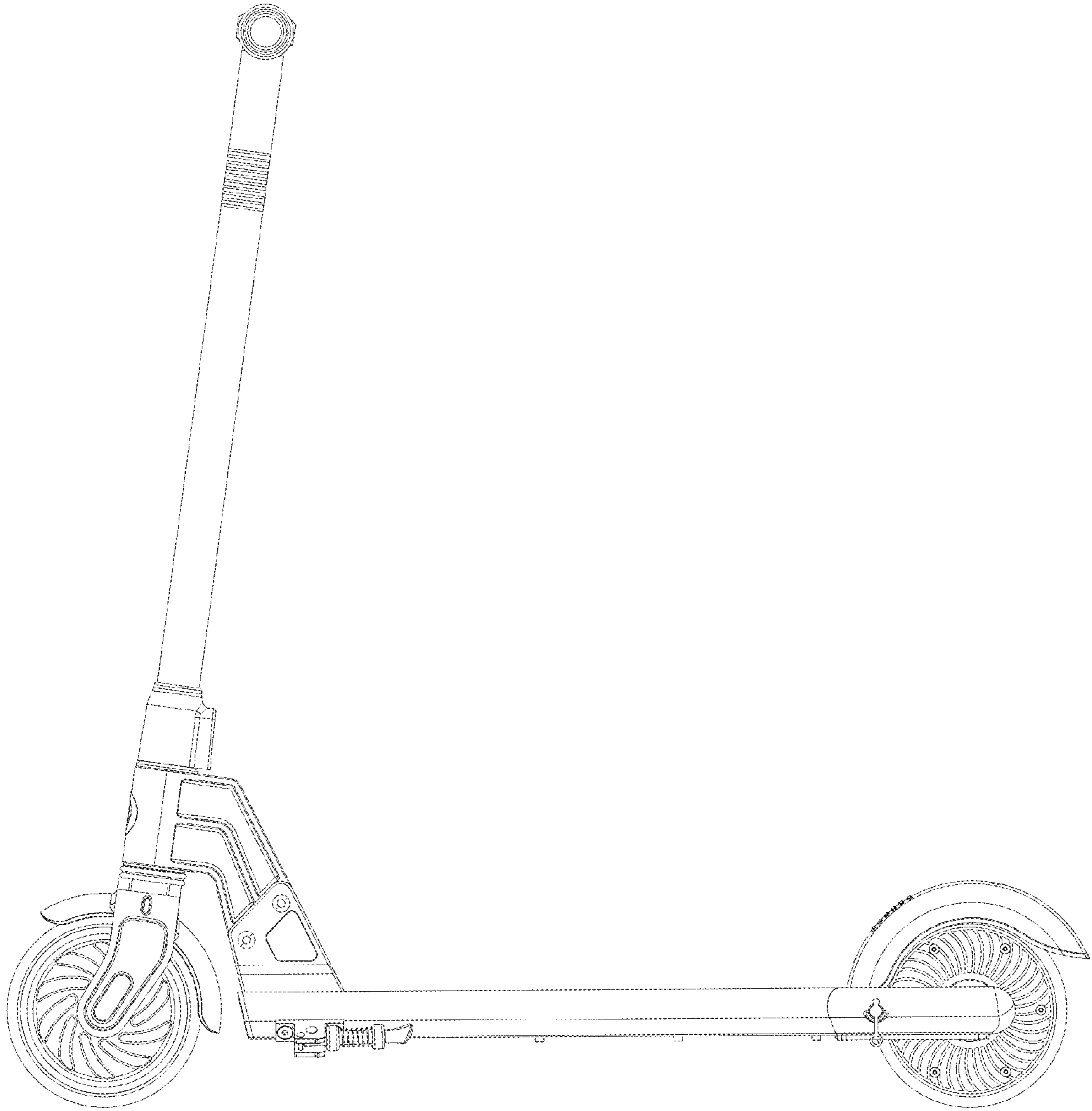


FIG. 2

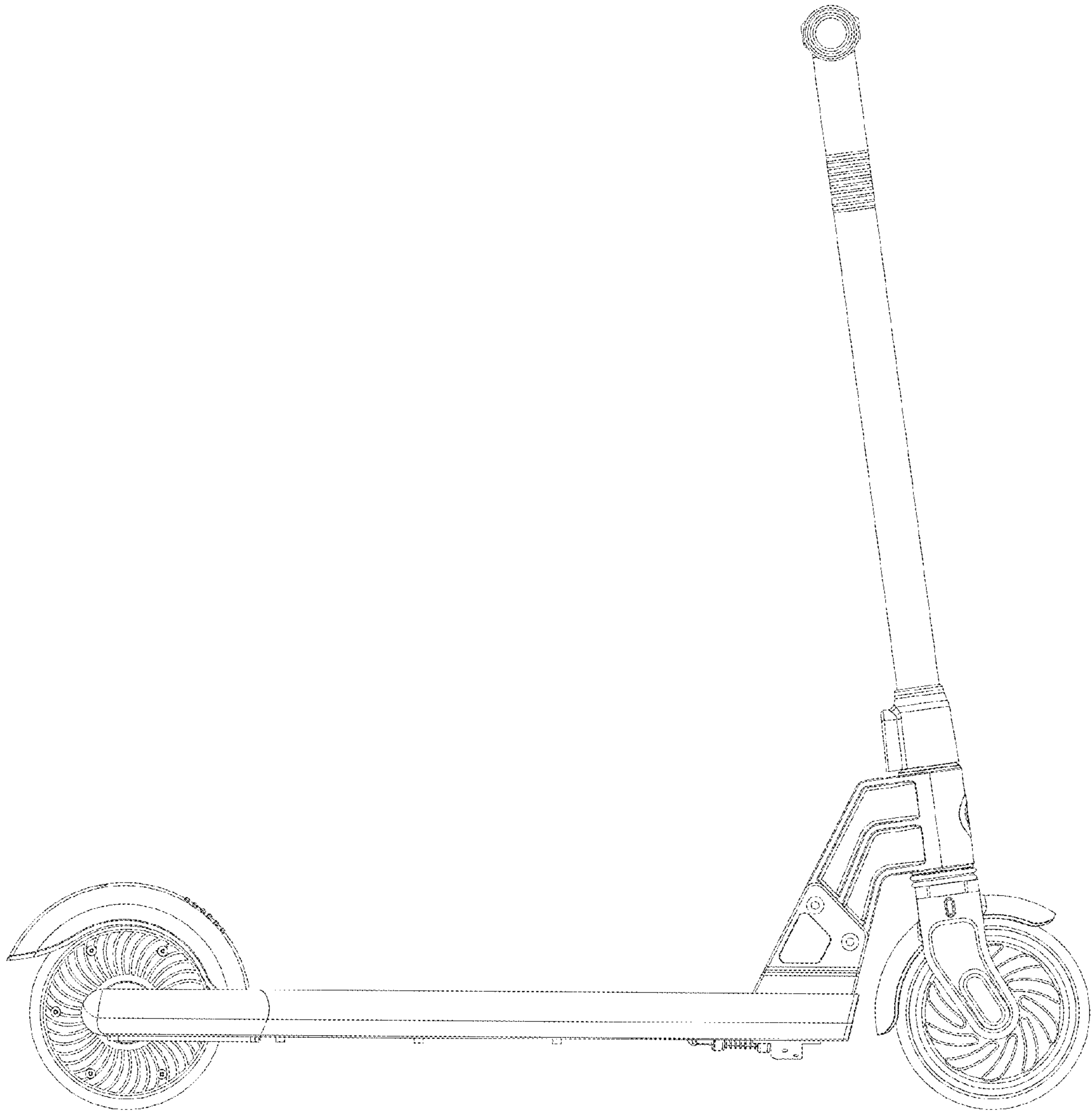


FIG. 3

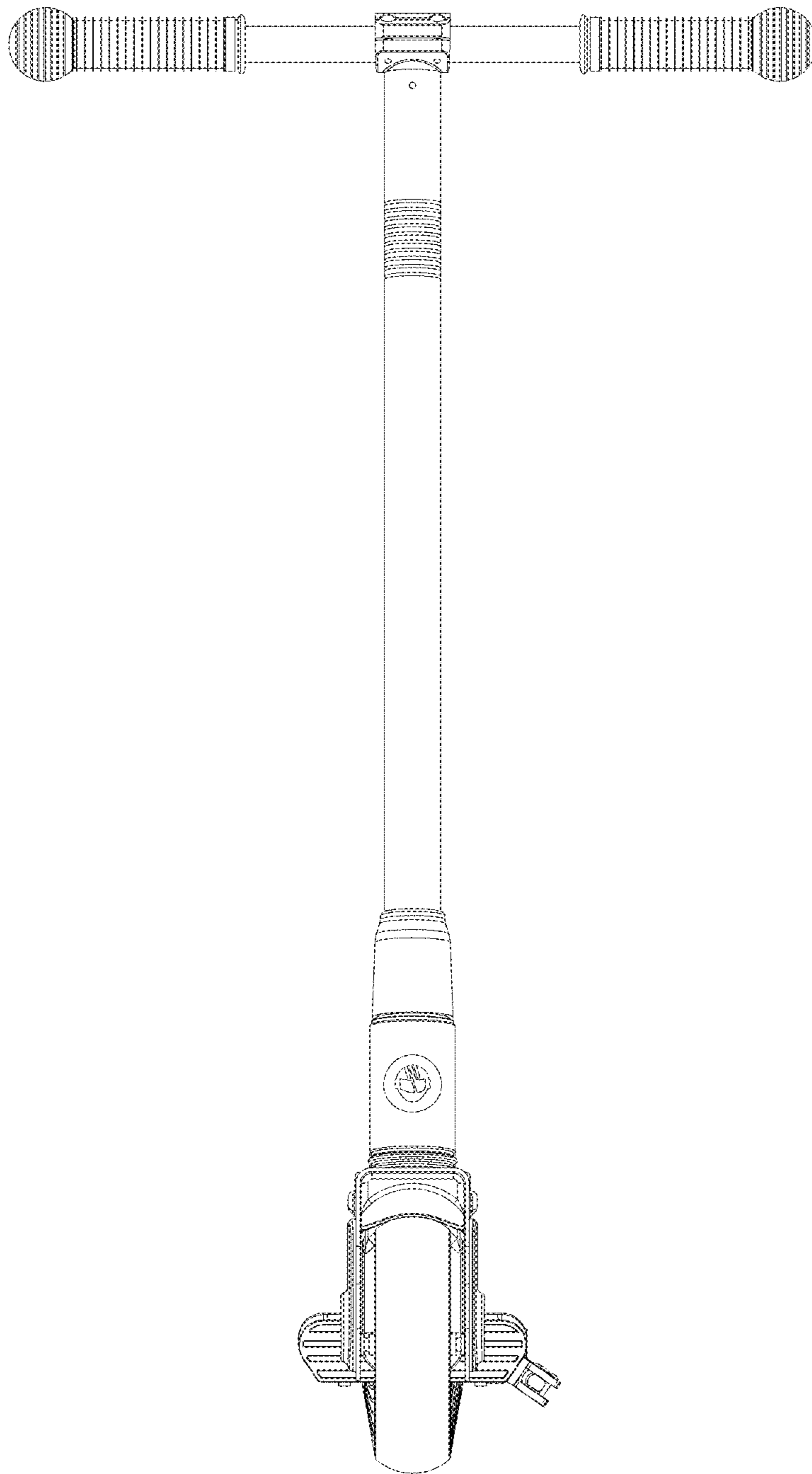


FIG. 4



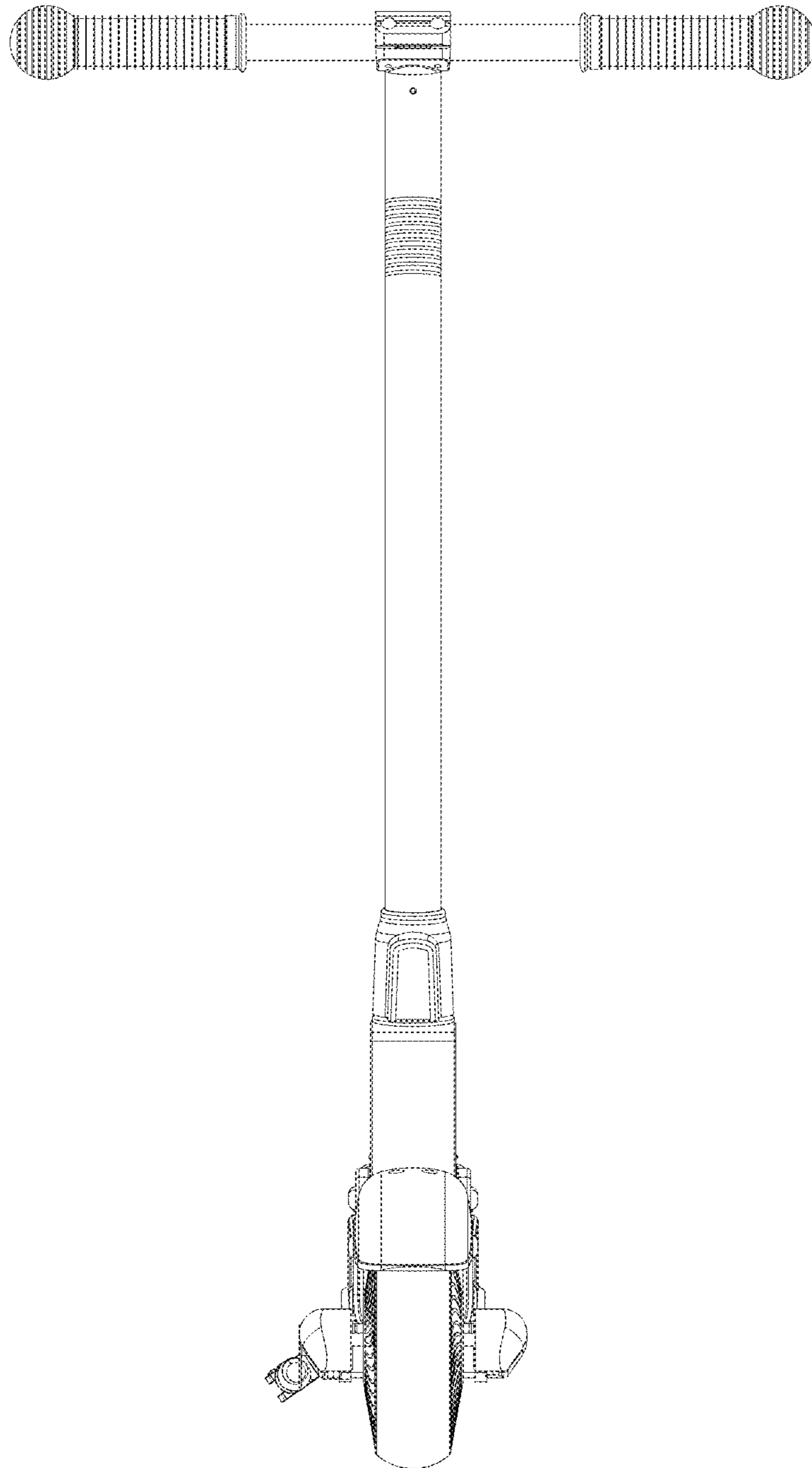


FIG. 5

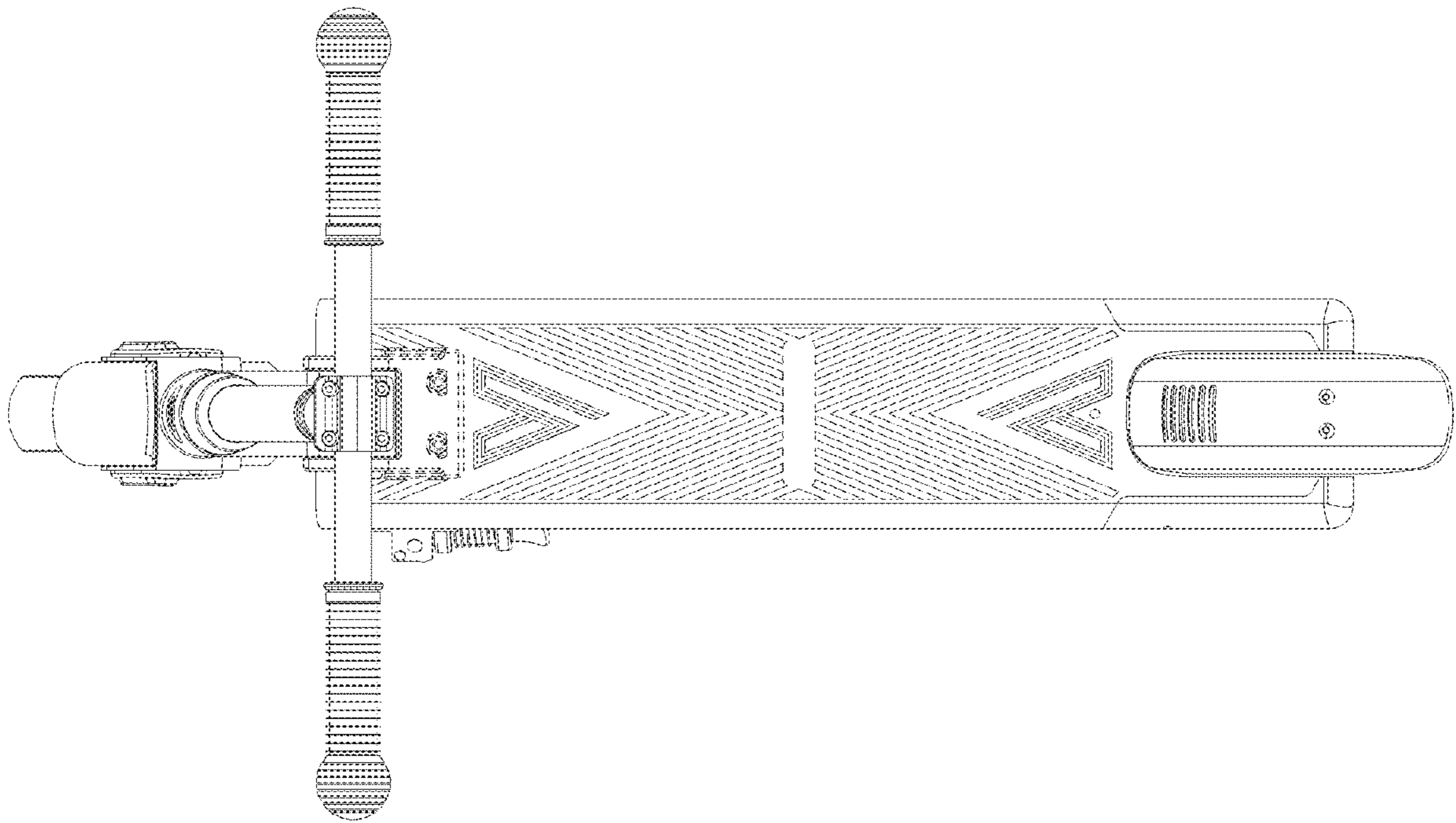


FIG. 6

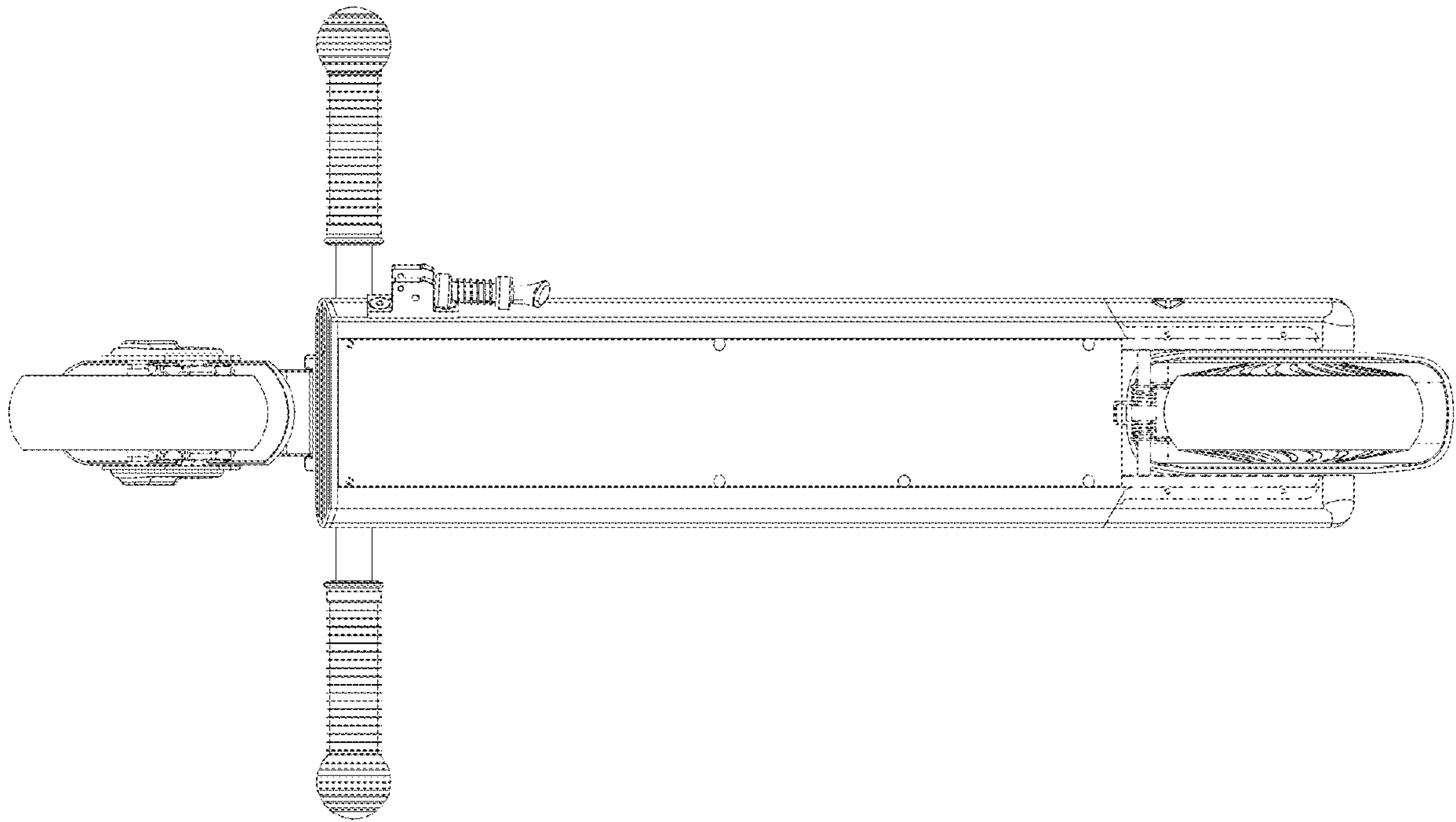


FIG. 7