



US00D889556S

(12) **United States Design Patent** (10) **Patent No.:** **US D889,556 S**  
**Marks** (45) **Date of Patent:** **\*\* Jul. 7, 2020**

(54) **SLOT TABLE HYBRID DESIGN**  
(71) Applicant: **ARISTOCRAT TECHNOLOGIES AUSTRALIA PTY LIMITED**, North Ryde, NSW (AU)  
(72) Inventor: **Daniel Mordecai Marks**, Decatur, GA (US)  
(73) Assignee: **Aristocrat Technologies Australia Pty Limited**, North Ryde, NSW (AU)  
(\*\*) Term: **15 Years**

D549,785 S 8/2007 Luciano, Jr. et al.  
7,288,024 B2 10/2007 Toyoda  
D579,500 S 10/2008 Luciano, Jr. et al.  
D595,783 S 7/2009 Anderson  
D609,279 S \* 2/2010 Kristensson ..... D21/362  
D614,244 S 4/2010 Inoue

(Continued)

*Primary Examiner* — George D. Kirschbaum  
(74) *Attorney, Agent, or Firm* — Armstrong Teasdale LLP

(57) **CLAIM**

I claim the ornamental design for a slot table hybrid design, as shown and described.

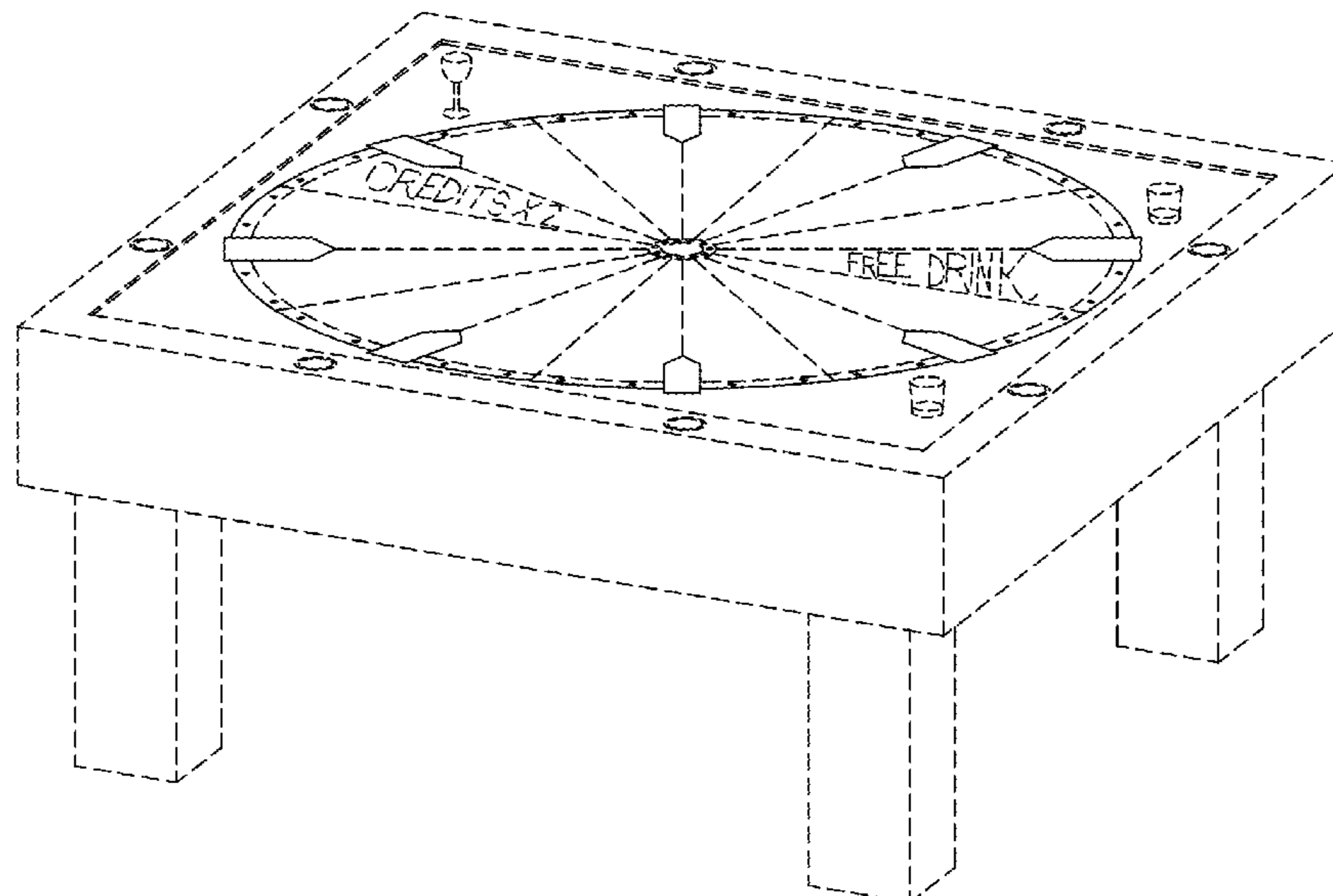
(21) Appl. No.: **29/663,818**  
(22) Filed: **Sep. 19, 2018**  
(51) **LOC (12) Cl.** ..... **21-01**  
(52) **U.S. Cl.**  
USPC ..... **D21/397**  
(58) **Field of Classification Search**  
USPC ..... D21/362, 363, 397  
CPC .... A63F 3/00176; A63F 3/00119; B27M 3/00  
See application file for complete search history.

**DESCRIPTION**

FIG. 1 is a front perspective view of a slot table hybrid design showing our new design;  
FIG. 2 is a top view of the slot table hybrid design shown in FIG. 1;  
FIG. 3 is a front view of the slot table hybrid design shown in FIG. 1;  
FIG. 4 is a back view of the slot table hybrid design shown in FIG. 1;  
FIG. 5 is a side view of the slot table hybrid design shown in FIG. 1;  
FIG. 6 is a front perspective view showing a second embodiment of our new design;  
FIG. 7 is a top view of the slot table hybrid design shown in FIG. 6;  
FIG. 8 is a front view of the slot table hybrid design shown in FIG. 6;  
FIG. 9 is a back view of the slot table hybrid design shown in FIG. 6; and,  
FIG. 10 is a side view of the slot table hybrid design shown in FIG. 6.  
The broken lines are included for the purpose of illustrating portions of the “article” and form no part of the claimed design.

(56) **References Cited**  
U.S. PATENT DOCUMENTS  
D32,139 S \* 1/1900 Weathersby ..... D21/362  
D172,366 S \* 6/1954 Salmon ..... D21/362  
D172,367 S \* 6/1954 Salmon ..... D21/362  
3,853,679 A \* 12/1974 Ierenzoni ..... B27M 3/00  
428/66.5  
5,236,193 A \* 8/1993 Ierulli ..... A63F 3/00176  
273/250  
5,688,174 A 11/1997 Kennedy  
5,913,519 A \* 6/1999 Sindelar ..... A63F 3/00119  
273/248  
D444,508 S \* 7/2001 George ..... D21/363  
D466,161 S 11/2002 Takahashi et al.  
D494,635 S \* 8/2004 Wright ..... D21/362  
D520,068 S 5/2006 Hirato et al.  
D521,074 S 5/2006 Hirato et al.

**1 Claim, 10 Drawing Sheets**



(56)

**References Cited**

U.S. PATENT DOCUMENTS

D641,047	S	7/2011	Tahara et al.
D646,336	S	10/2011	Kelly et al.
D714,875	S	10/2014	Wudtke et al.
D715,364	S	10/2014	Wudtke et al.
2005/0164762	A1	7/2005	Smith et al.
2007/0066387	A1	3/2007	Matsuno et al.
2008/0070663	A1	3/2008	Losilevsky
2008/0182662	A1	7/2008	Yoshizawa
2009/0239625	A1	9/2009	Yoshizawa
2011/0287824	A1	11/2011	Schultz et al.

\* cited by examiner

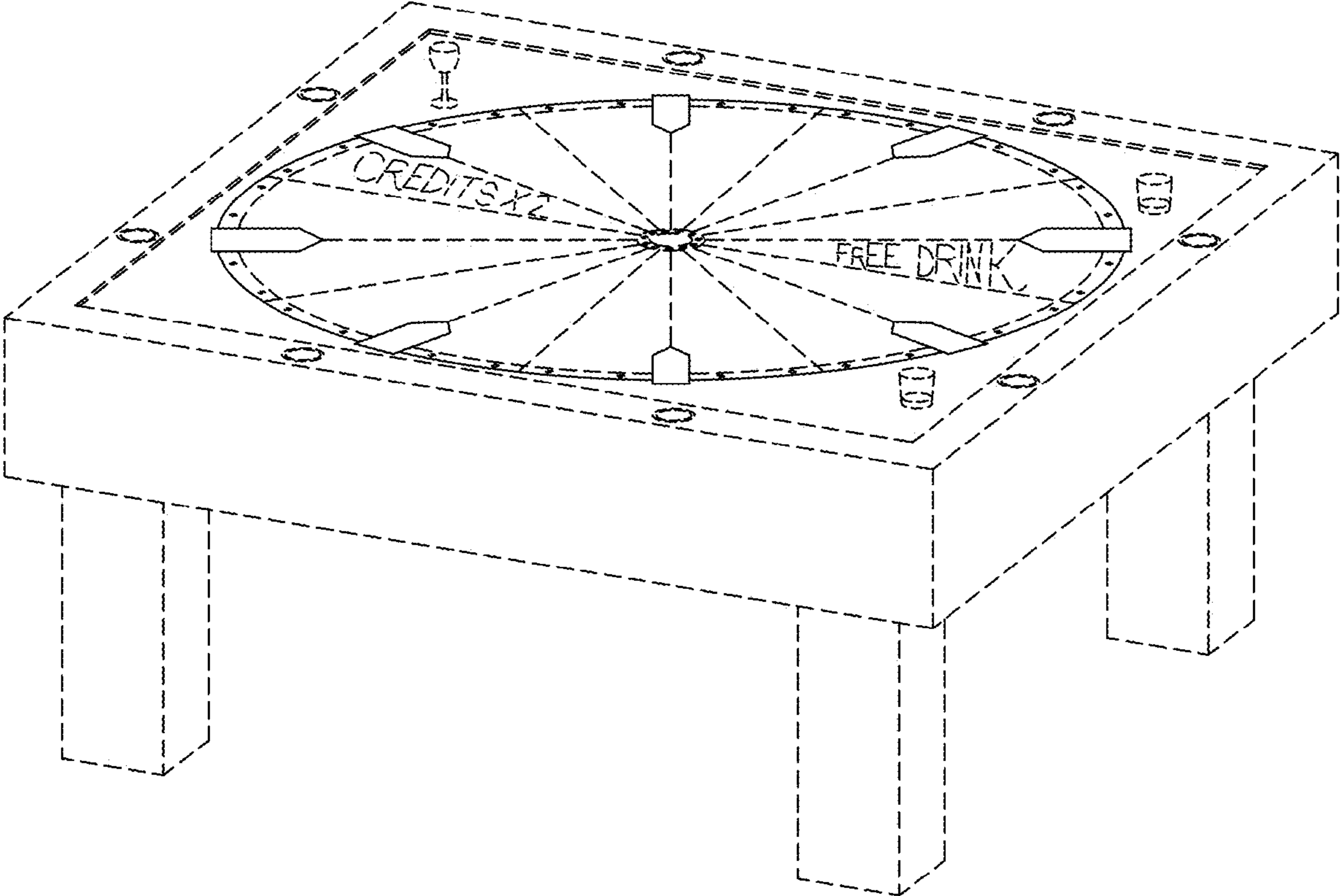


FIG. 1

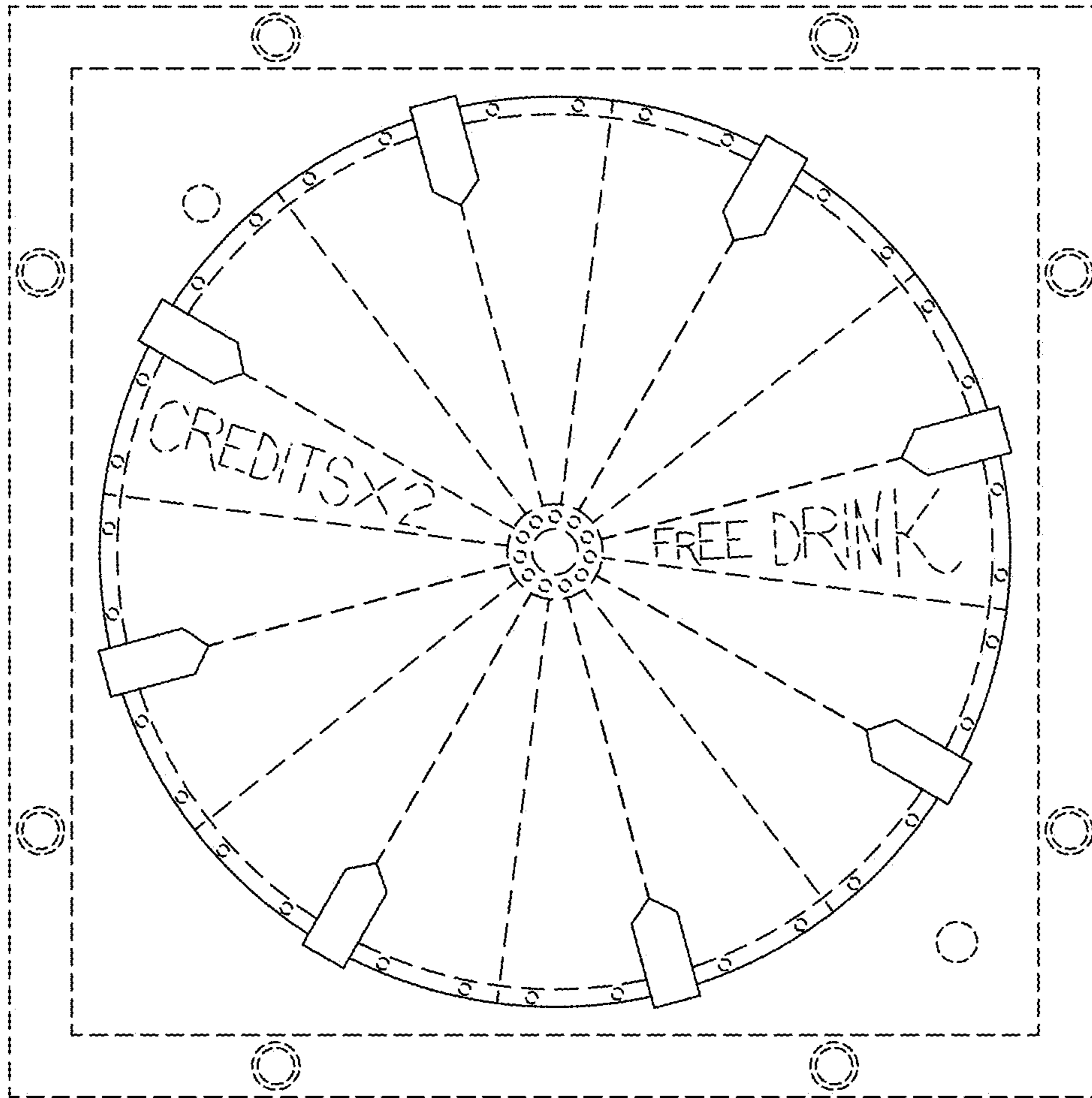


FIG. 2

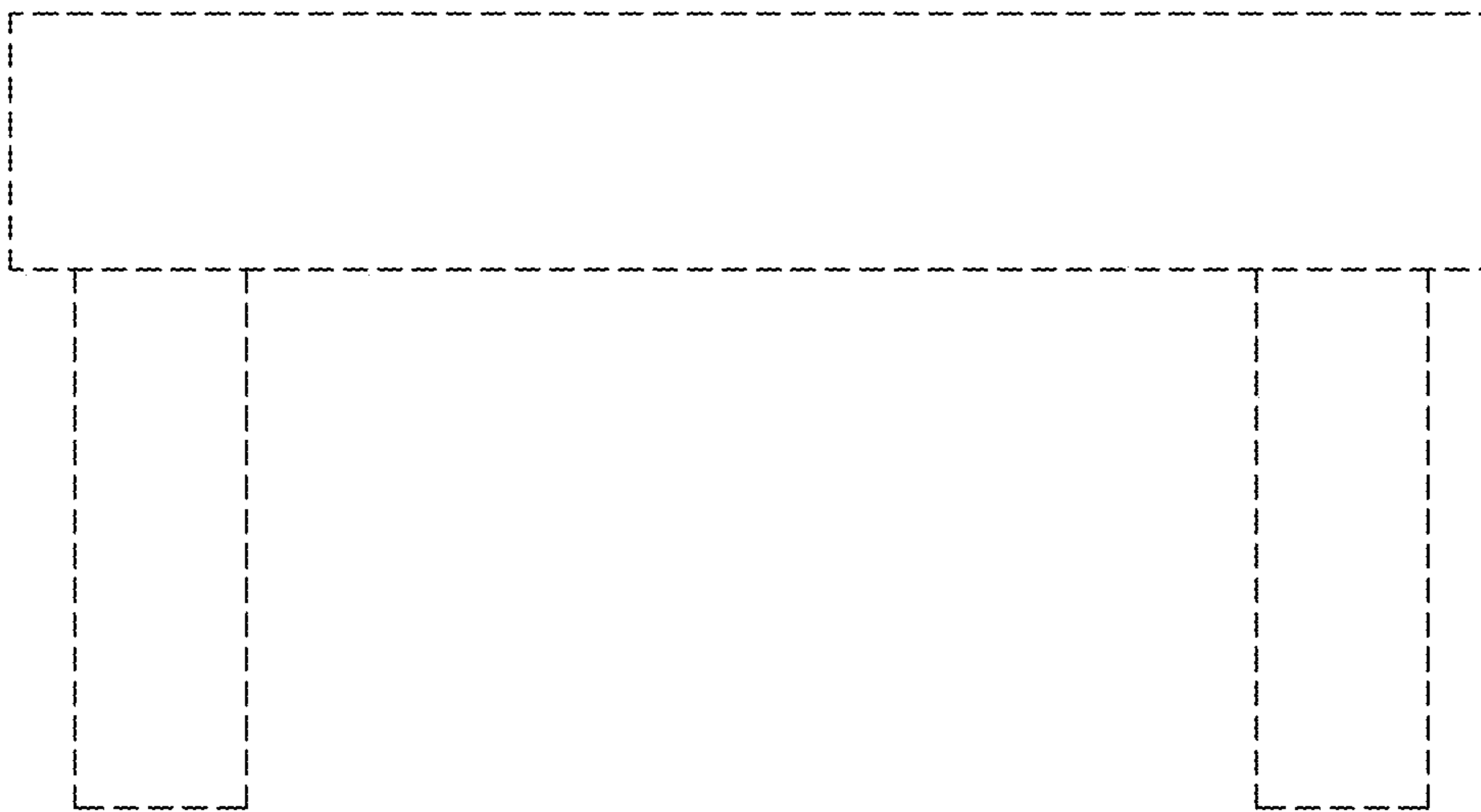


FIG. 3

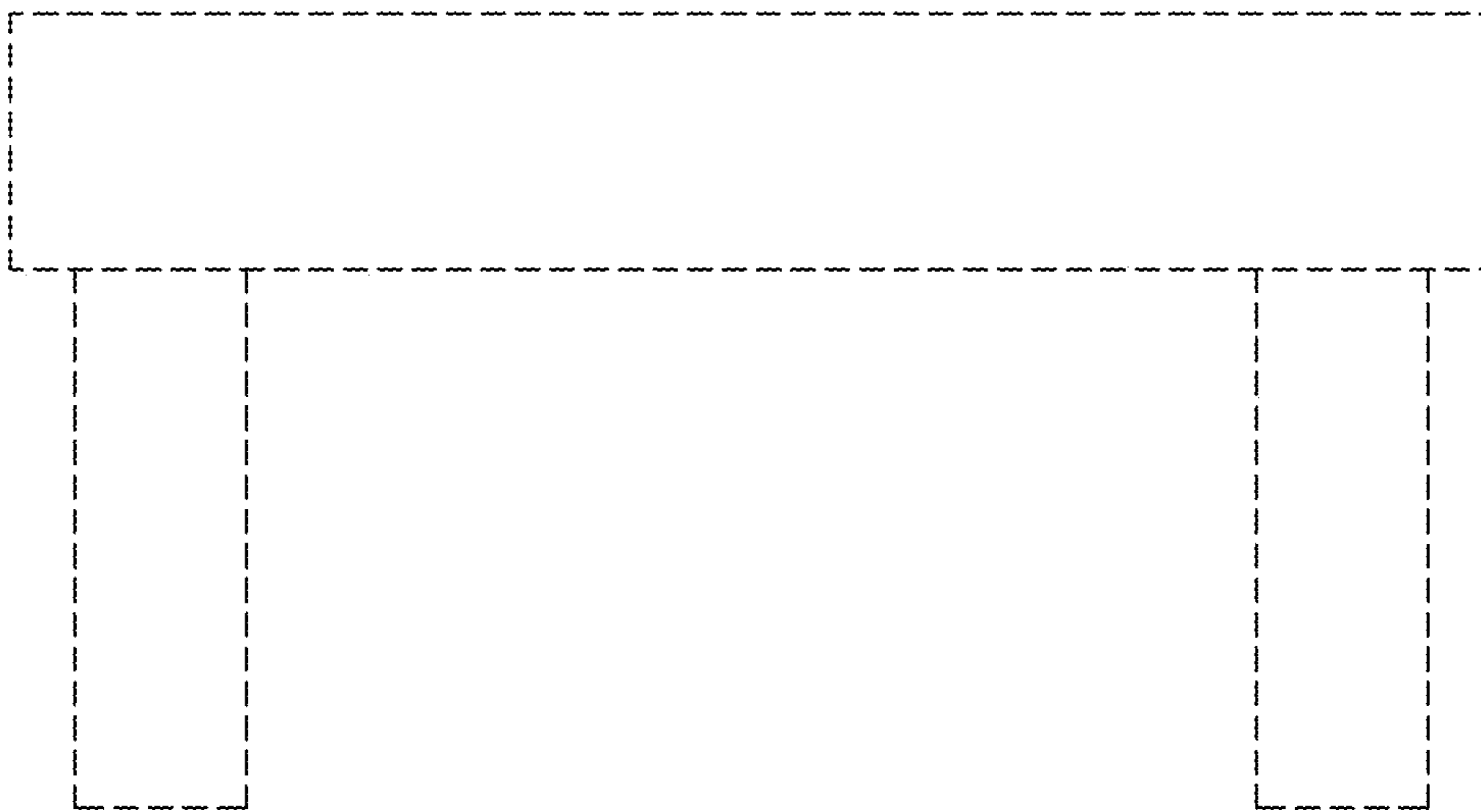


FIG. 4

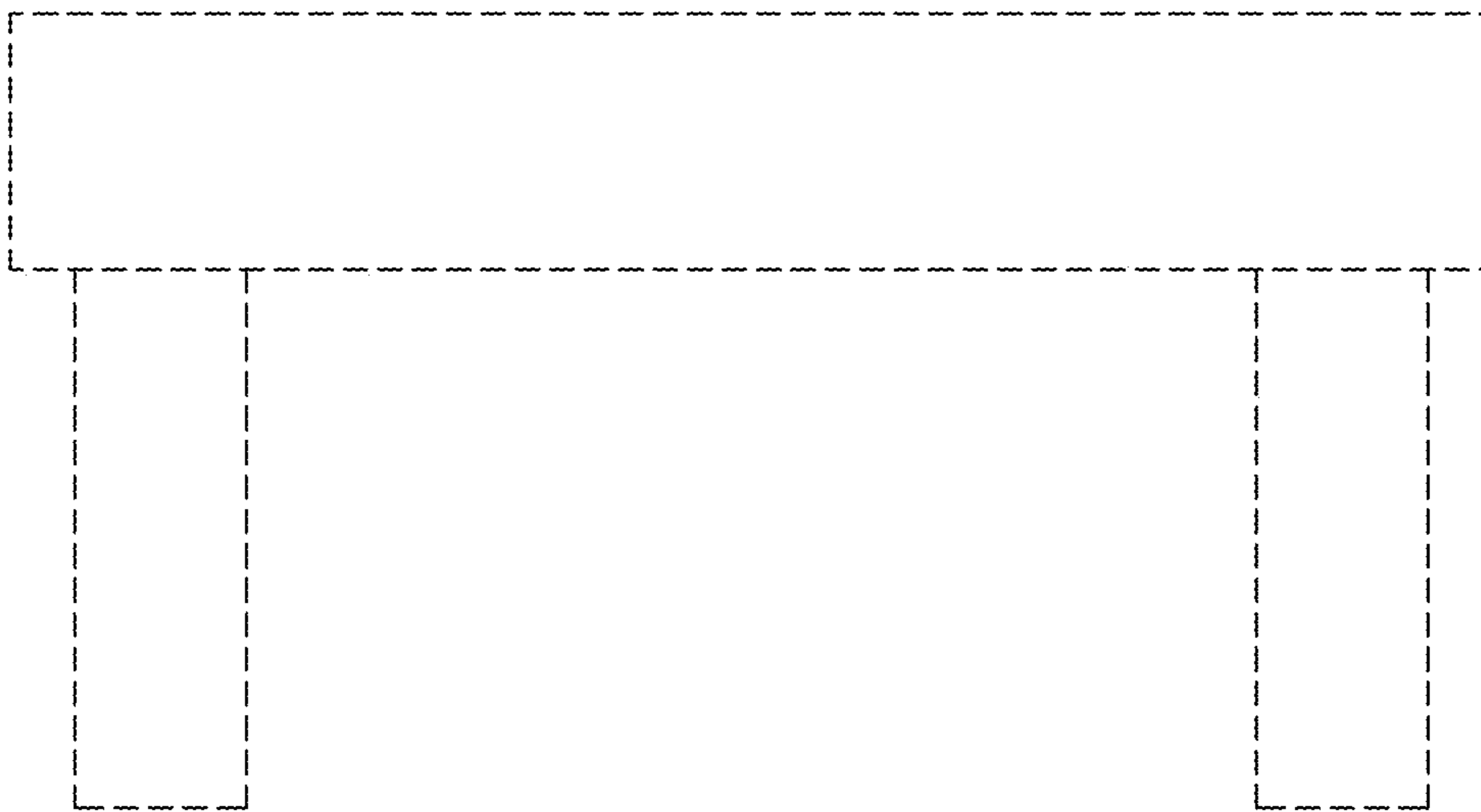


FIG. 5

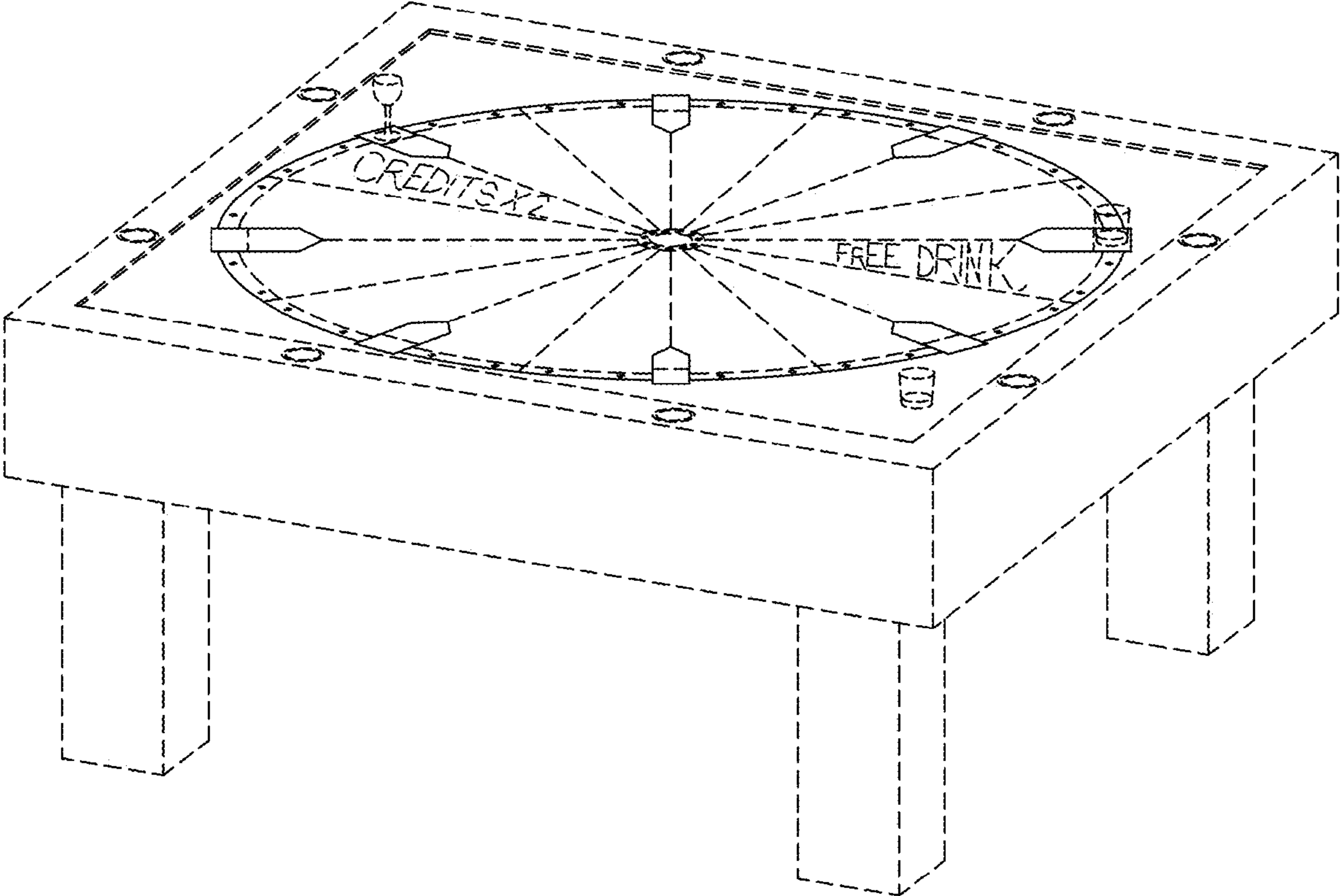


FIG. 6



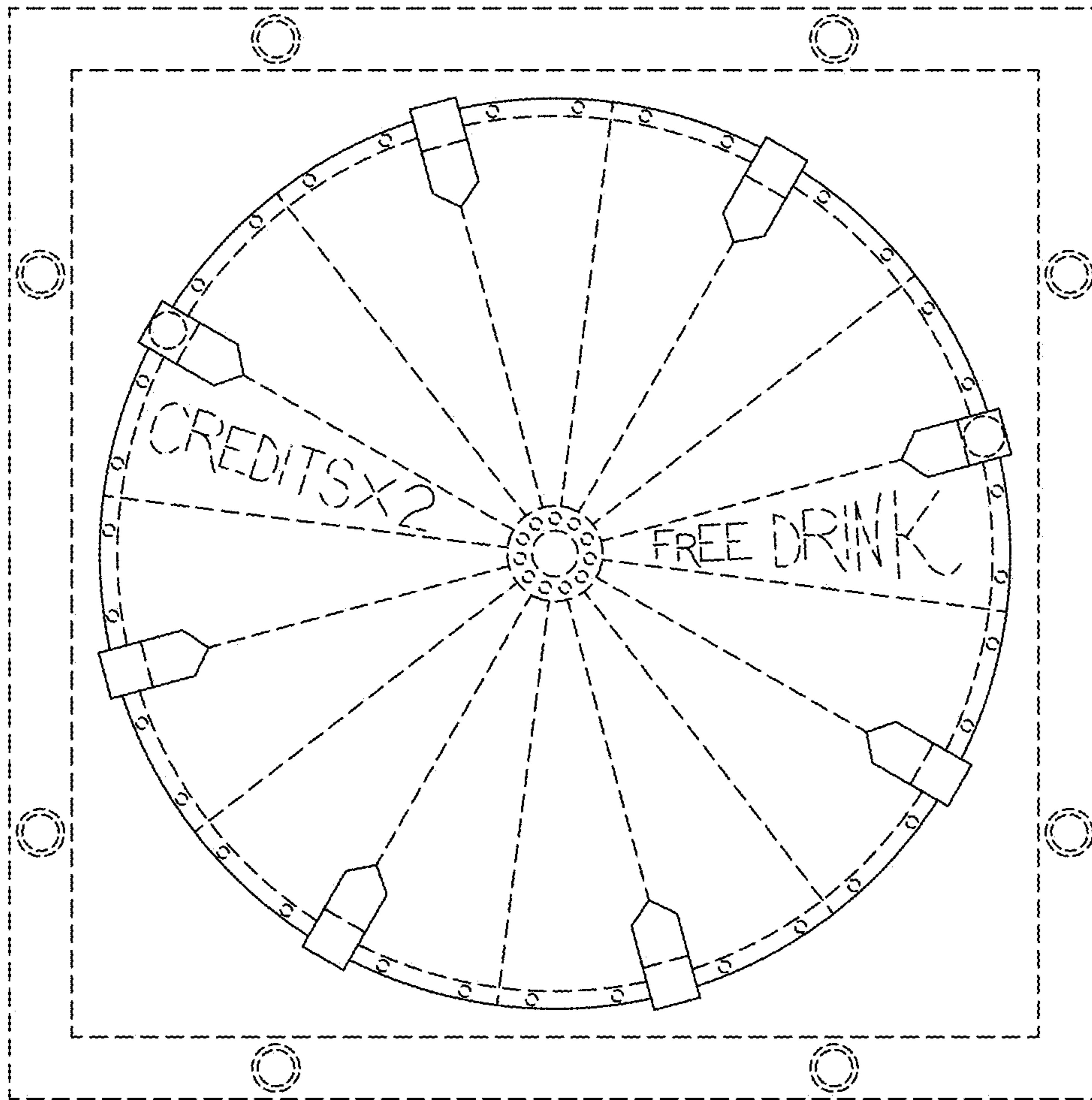


FIG. 7

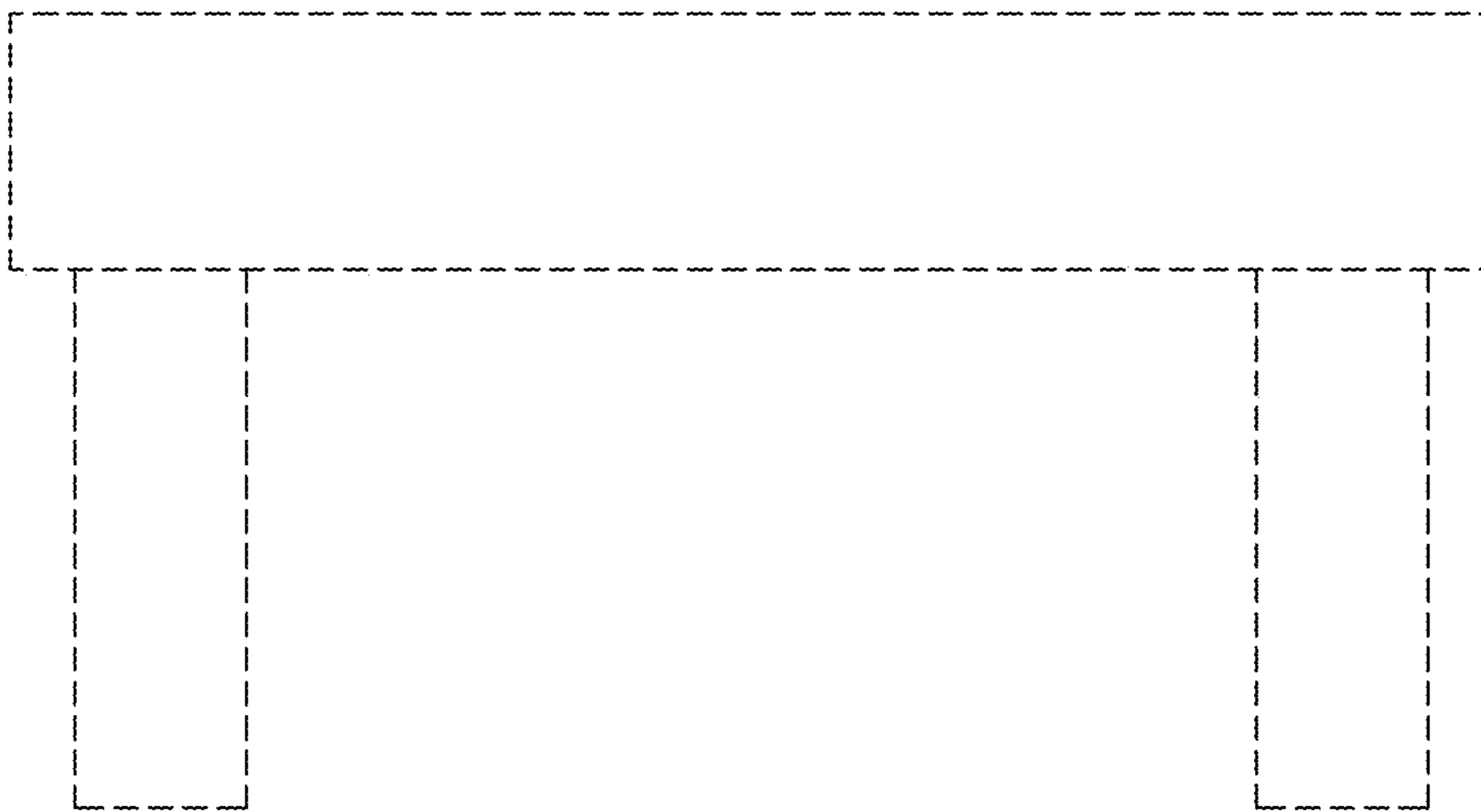


FIG. 8

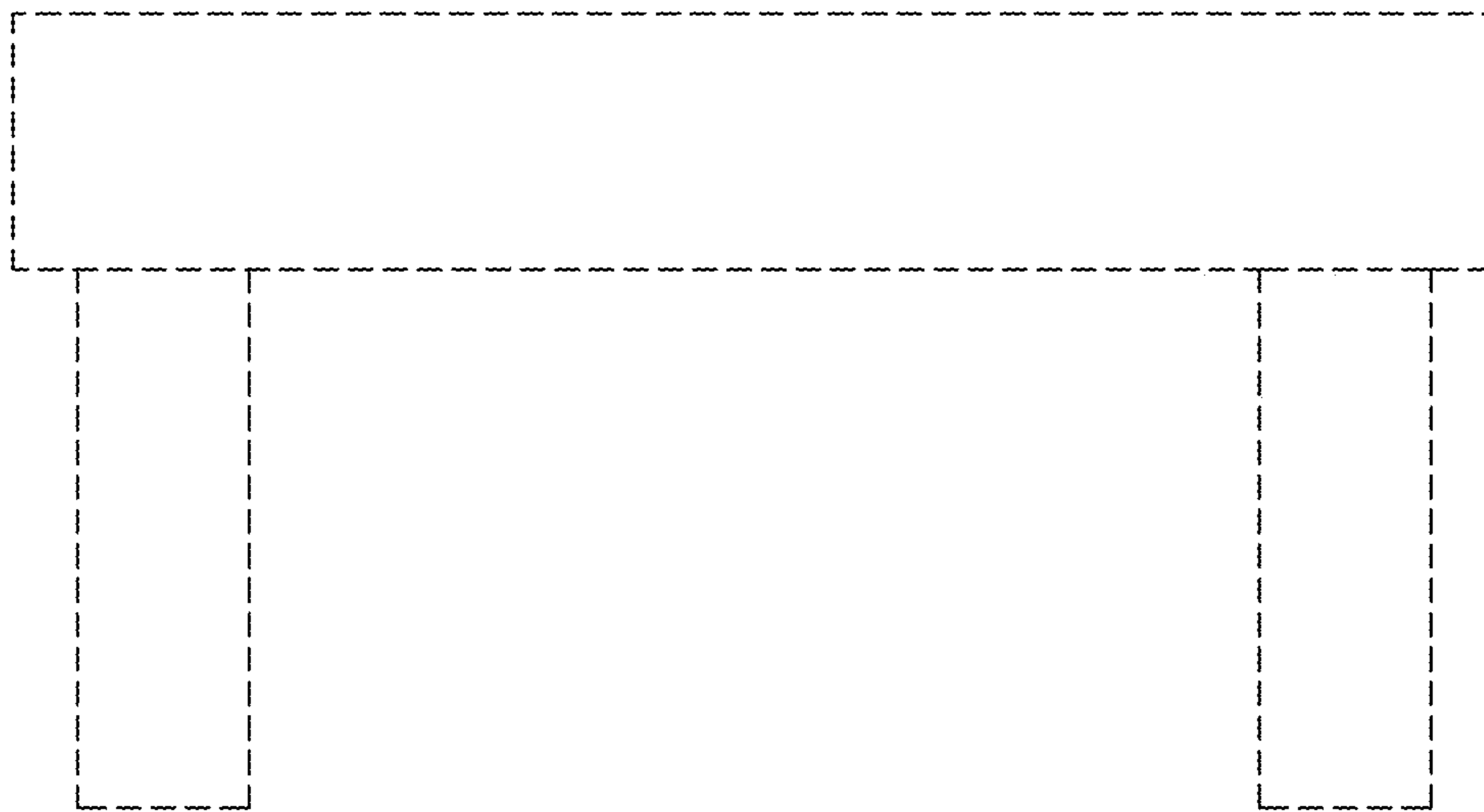


FIG. 9

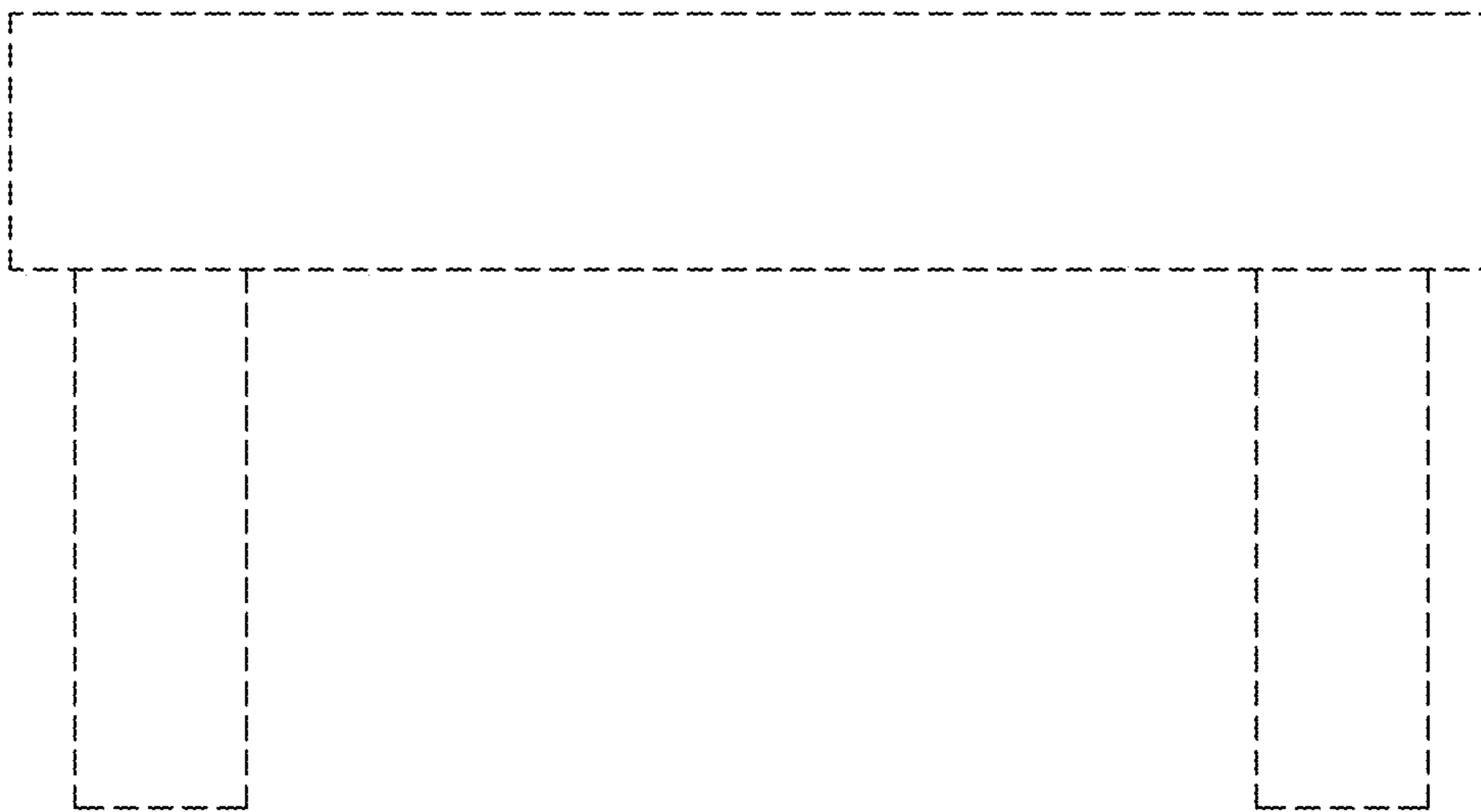


FIG. 10