



US00D889555S

(12) **United States Design Patent**
Pham

(10) **Patent No.:** **US D889,555 S**

(45) **Date of Patent:** **** Jul. 7, 2020**

(54) **BOARD GAME DIAL**

(71) Applicant: **Chuong Hoang Pham**, Dorchester, MA
(US)

(72) Inventor: **Chuong Hoang Pham**, Dorchester, MA
(US)

(**) Term: **15 Years**

(21) Appl. No.: **29/687,896**

(22) Filed: **Apr. 17, 2019**

(51) **LOC (12) Cl.** **21-01**

(52) **U.S. Cl.**
USPC **D21/386**

(58) **Field of Classification Search**
USPC D14/432, 454; D21/300, 334, 335, 363,
D21/365, 370, 385-389, 392, 397
CPC A63B 71/06; A63B 71/0608
See application file for complete search history.

(56) **References Cited**

U.S. PATENT DOCUMENTS

D404,719 S *	1/1999	Suzuki	A63F 9/0415
				D13/171
D448,812 S *	10/2001	Vong	D21/386
D503,717 S *	4/2005	Kawamura	D14/432
D515,516 S *	2/2006	Mayo	D13/171
D528,167 S *	9/2006	Tremain	D21/386
D550,297 S *	9/2007	Luciano, Jr.	D13/171

D550,299 S *	9/2007	Luciano, Jr.	D13/171
D550,300 S *	9/2007	Luciano, Jr.	D21/369
D550,301 S *	9/2007	Luciano, Jr.	D21/369
D550,303 S *	9/2007	Luciano, Jr.	D13/174
D550,304 S *	9/2007	Luciano, Jr.	D13/174
D550,305 S *	9/2007	Luciano, Jr.	D13/174
D563,483 S *	3/2008	Klamer	D21/371
8,033,547 B1 *	10/2011	Bryce	A63F 9/0415
				273/142 J
D694,340 S *	11/2013	Laporte	D21/302
D867,464 S *	11/2019	Daniels	D21/385

* cited by examiner

Primary Examiner — George D. Kirschbaum

Assistant Examiner — Joseph J Kukella

(74) *Attorney, Agent, or Firm* — Christopher Pilling

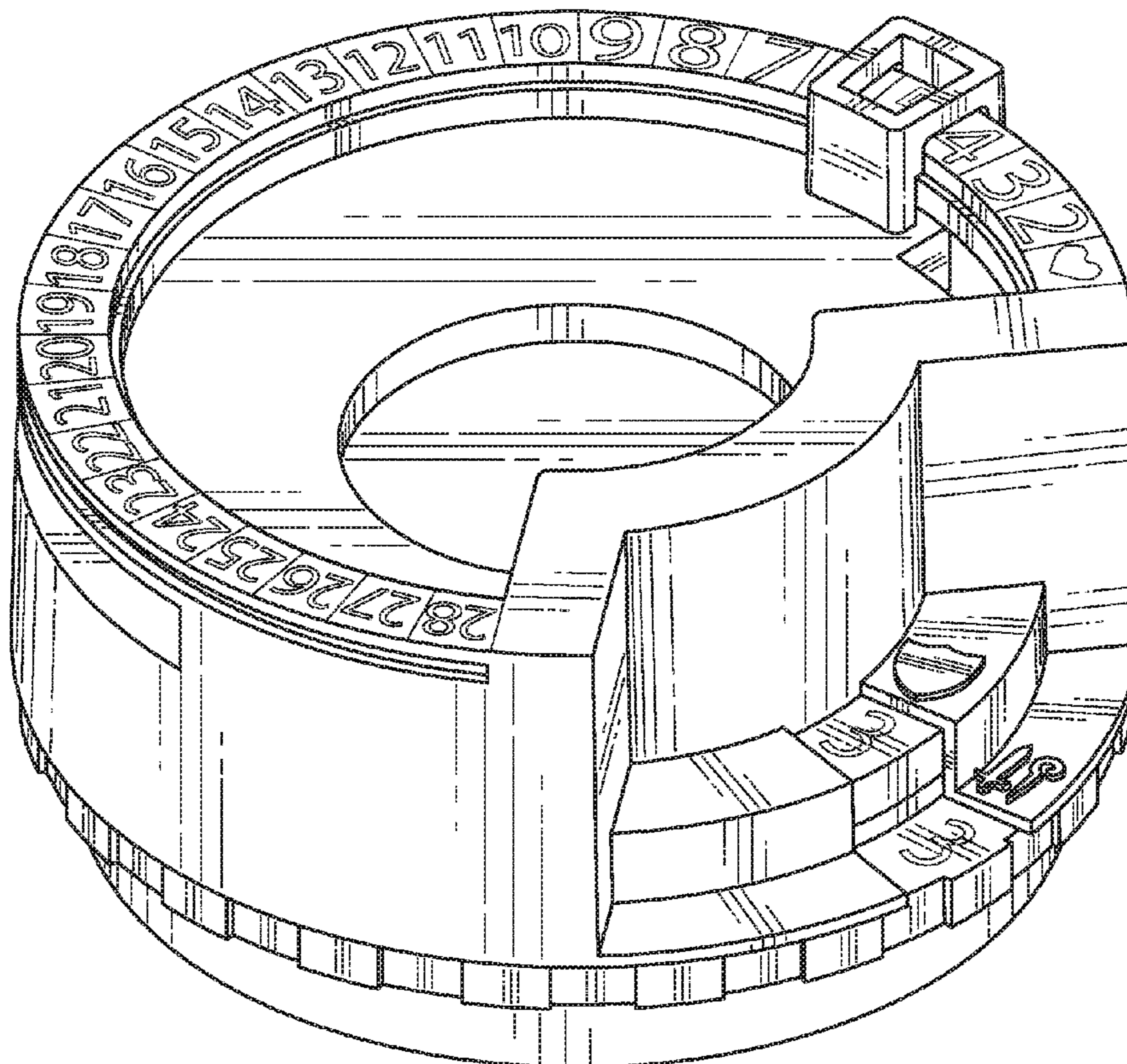
(57) **CLAIM**

The ornamental design for a board game dial, as shown.

DESCRIPTION

FIG. 1 is a front, left, top perspective view of a board game dial in accordance with the present invention;
FIG. 2 is a front, right, top perspective view thereof;
FIG. 3 is a front view thereof;
FIG. 4 is a back view thereof;
FIG. 5 is a left side view thereof;
FIG. 6 is a right side view thereof;
FIG. 7 is a top view thereof; and,
FIG. 8 is a bottom view thereof.

1 Claim, 8 Drawing Sheets



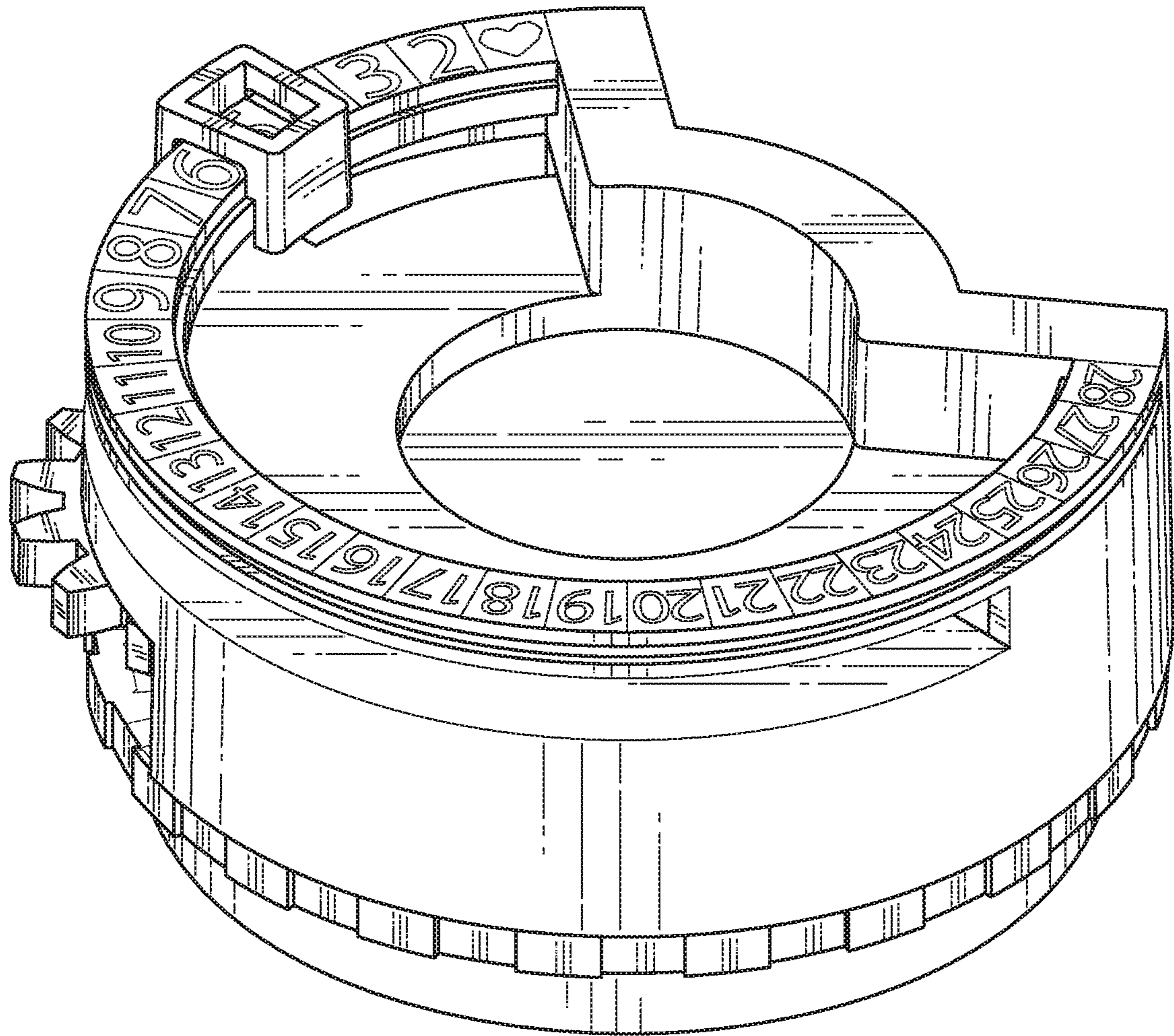


FIG. 1

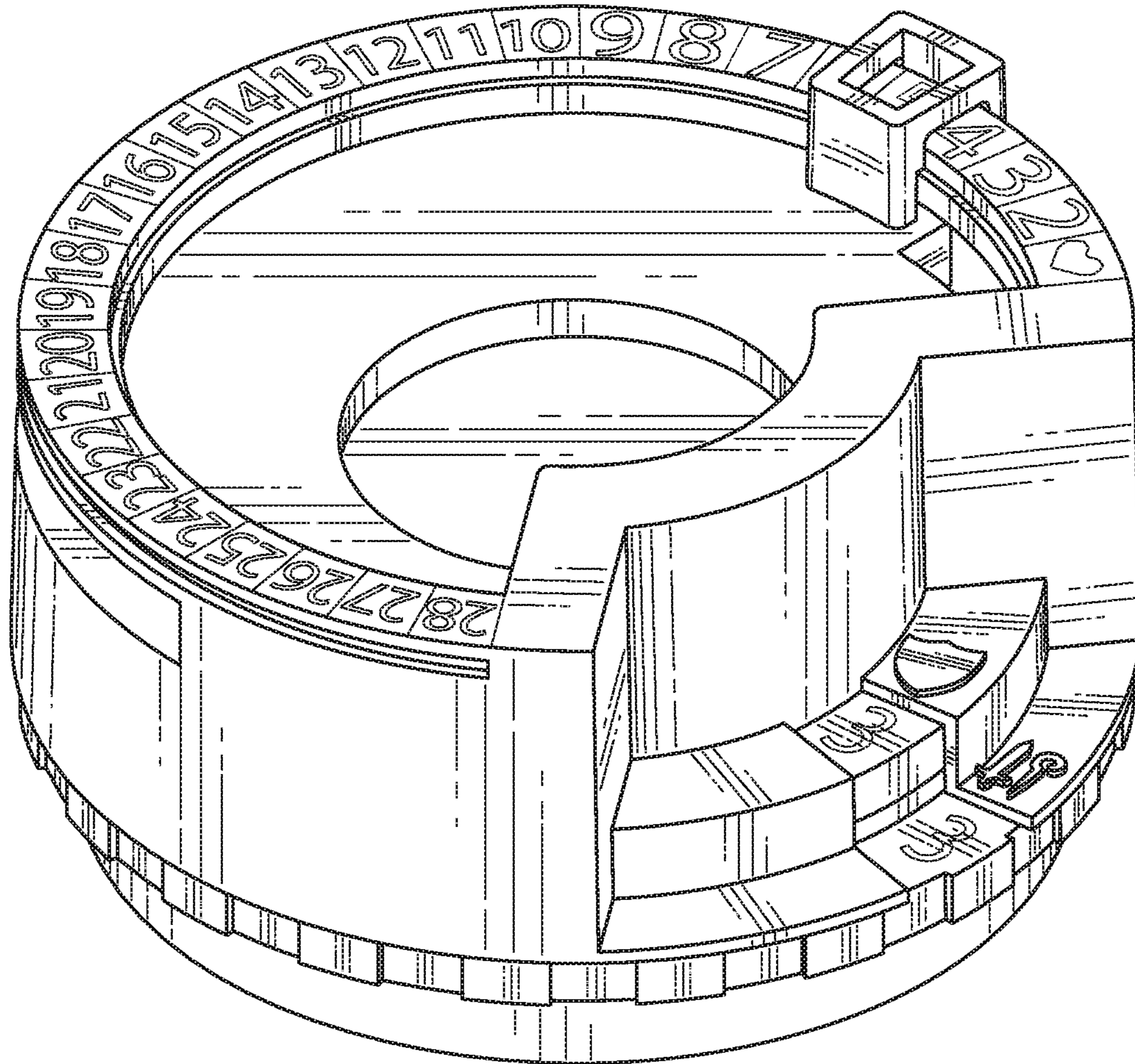


FIG. 2

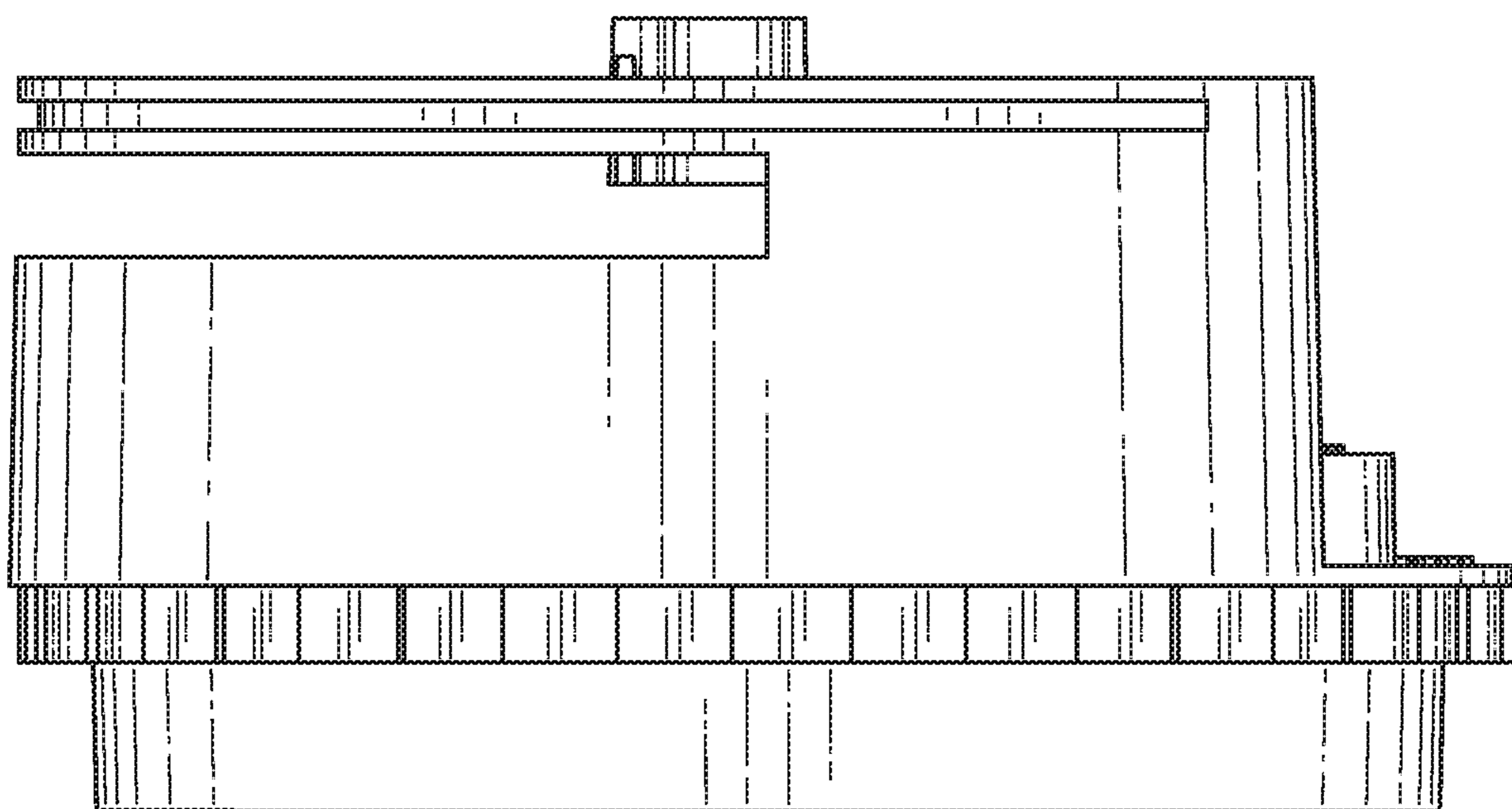


FIG. 3

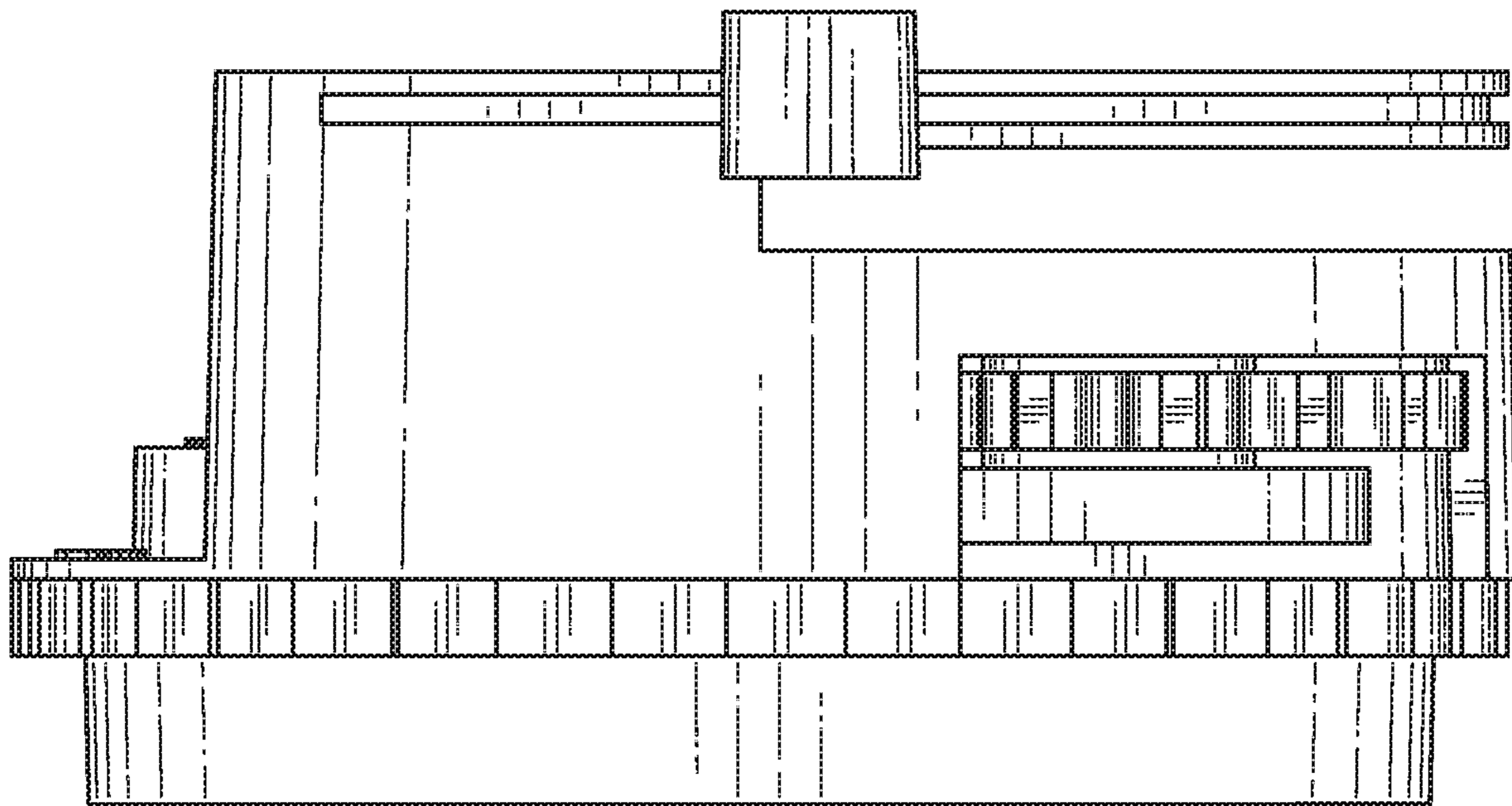


FIG. 4

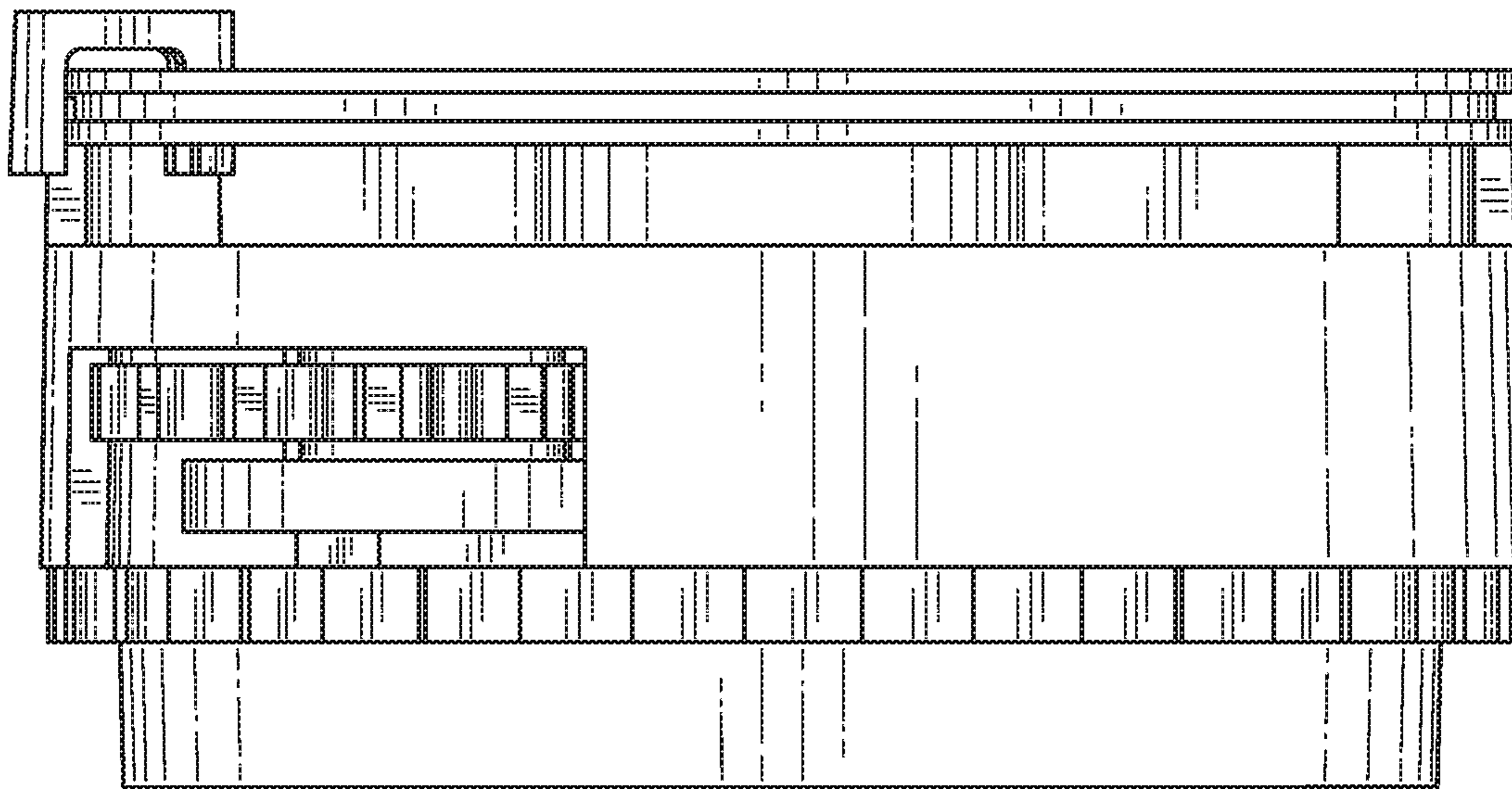


FIG. 5

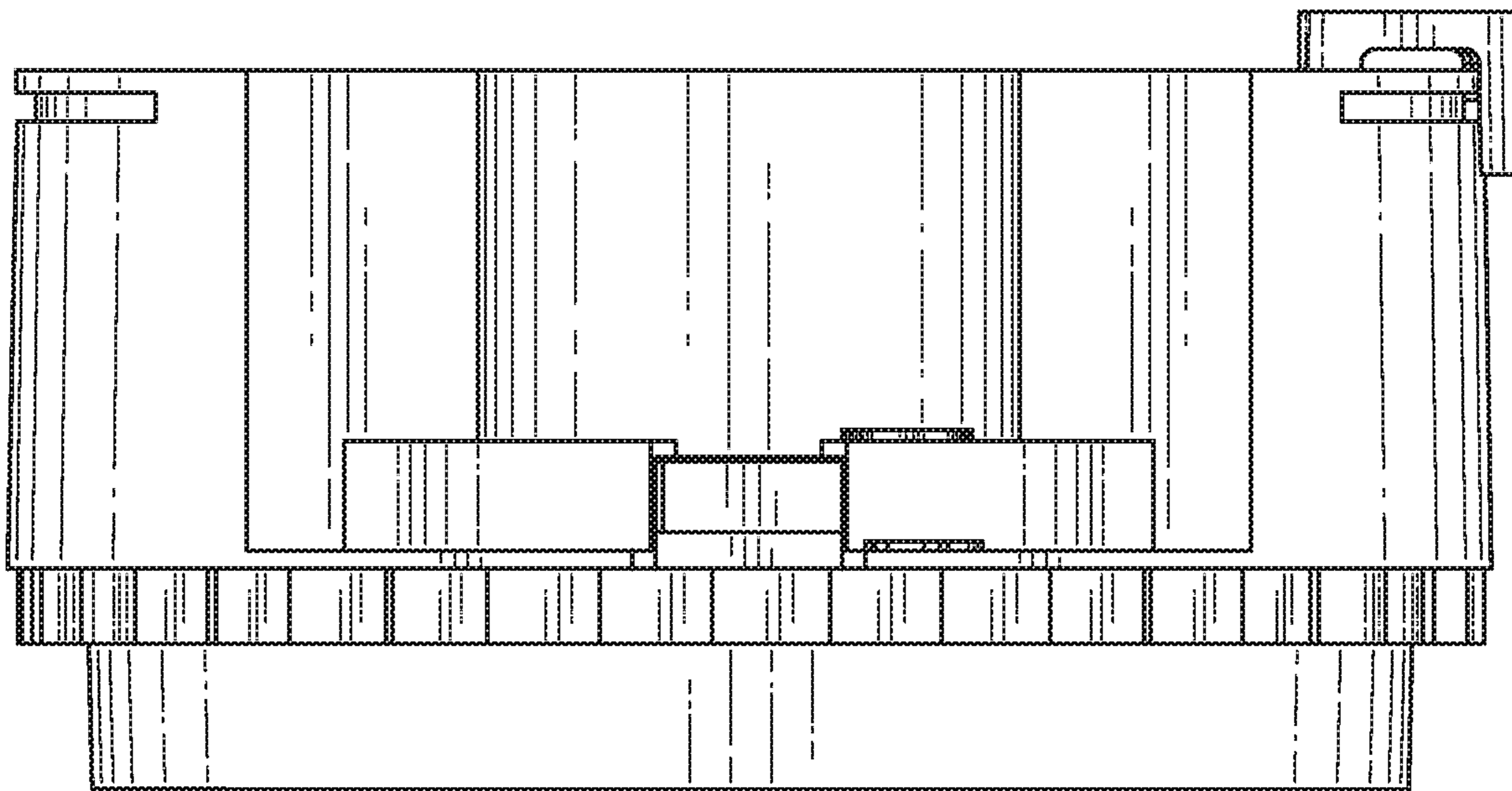


FIG. 6

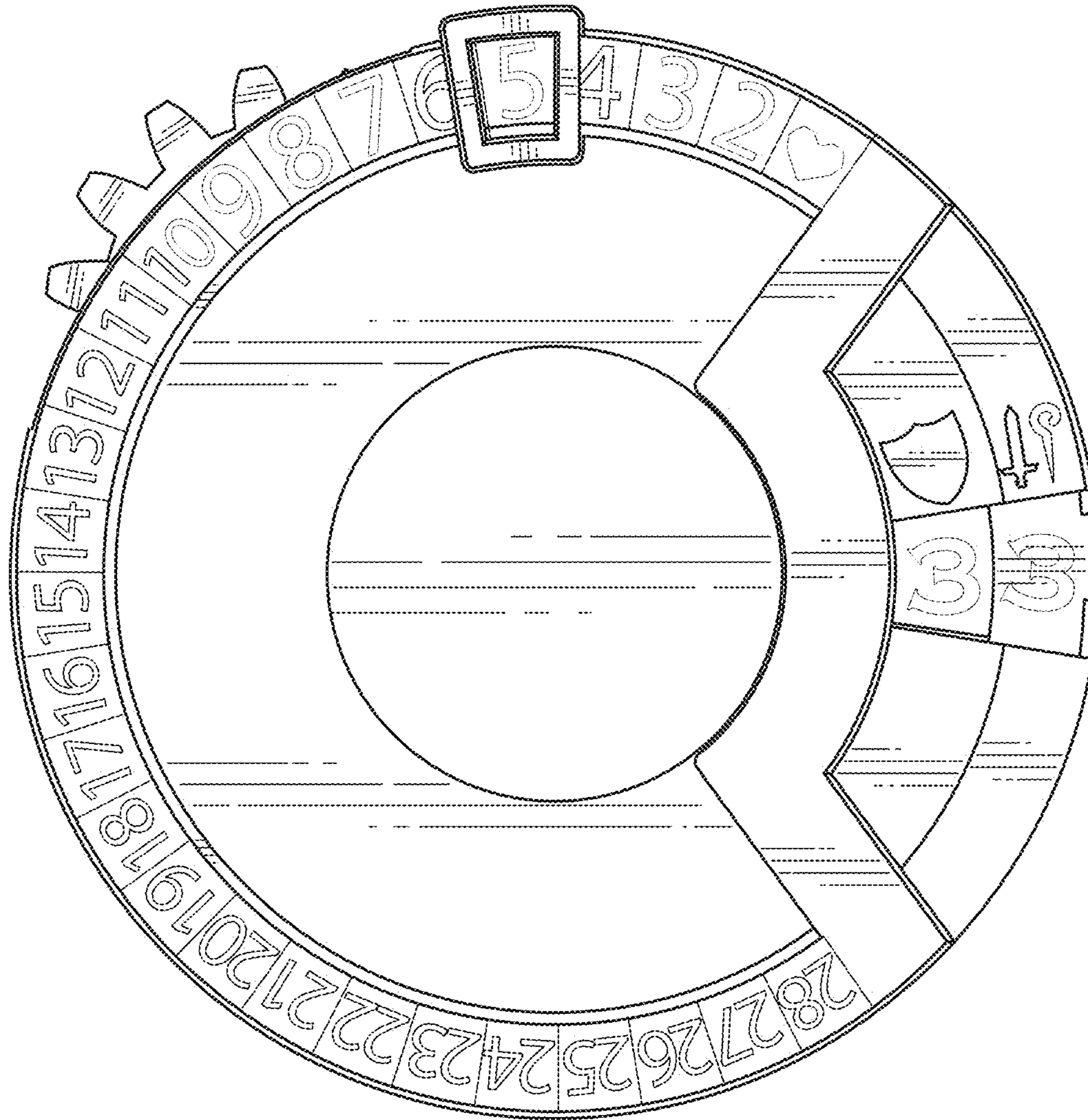


FIG. 7

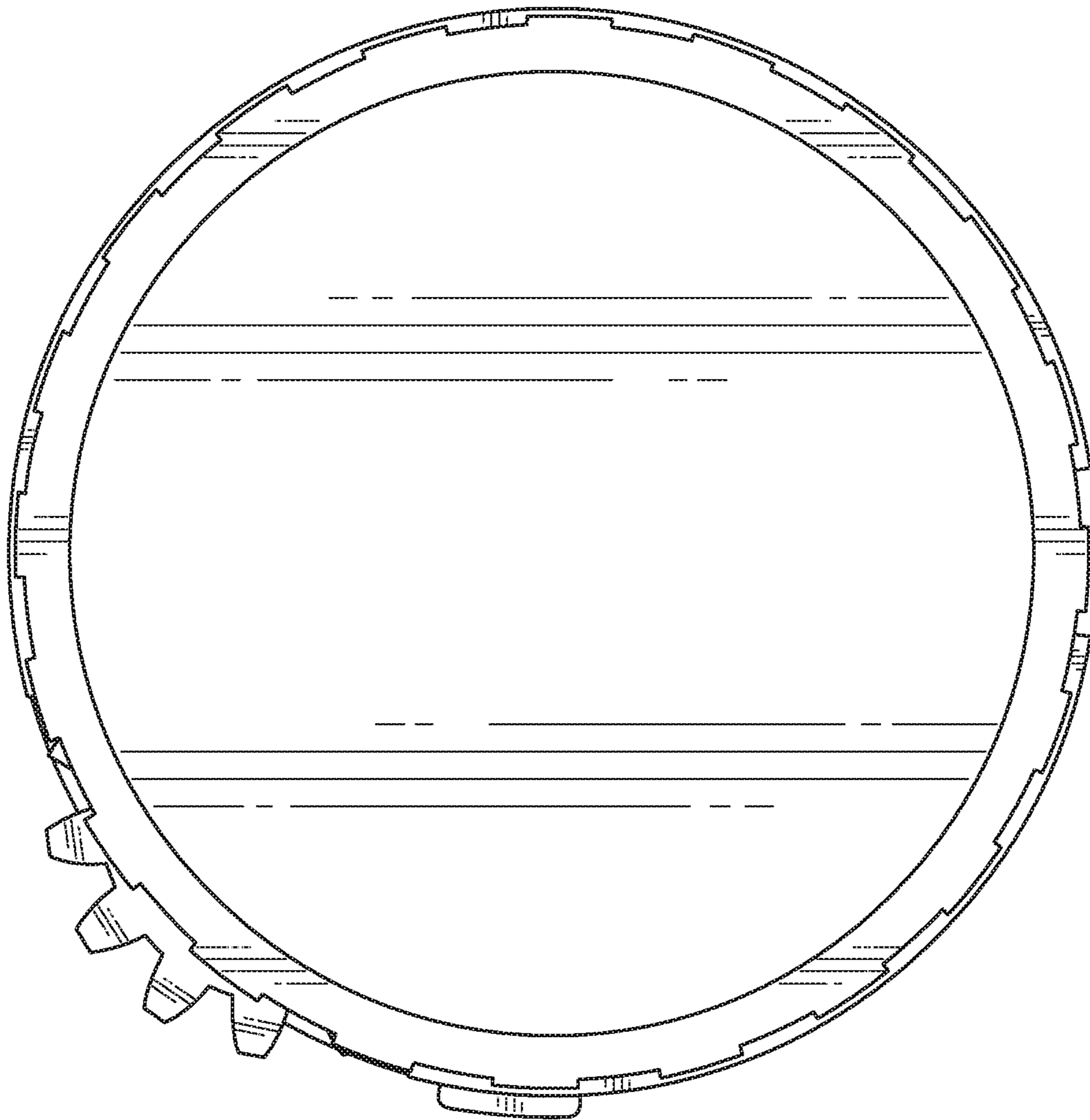


FIG. 8