



US00D889552S

(12) **United States Design Patent** (10) **Patent No.:** **US D889,552 S**
Glenn, II et al. (45) **Date of Patent:** **** Jul. 7, 2020**

(54) **GAMING TERMINAL**
(71) Applicant: **BALLY GAMING, INC.**, Las Vegas, NV (US)
(72) Inventors: **Robert J. Glenn, II**, Chicago, IL (US);
Christian L. Castro, Chicago, IL (US);
Paul M. Lesley, Blue Island, IL (US)

4,373,725 A 2/1983 Ritchie
D275,772 S 10/1984 Akopian et al.
D280,835 S 10/1985 Berge et al.
D280,836 S 10/1985 Ludzia et al.
4,606,545 A 8/1986 Ritchie
4,705,274 A 11/1987 Lubeck
4,840,343 A 6/1989 Gasser
4,861,037 A 8/1989 Oursler
4,960,117 A 10/1990 Moncrief et al.
4,981,298 A 1/1991 Lawlor et al.

(Continued)

(73) Assignee: **SG Gaming, Inc.**, Las Vegas, NV (US)

(**) Term: **15 Years**

FOREIGN PATENT DOCUMENTS

(21) Appl. No.: **29/619,374**

EP 649 671 A1 4/1995
JP 03210172 B2 9/2001

(Continued)

(22) Filed: **Sep. 28, 2017**

(51) **LOC (12) Cl.** **21-03**

(52) **U.S. Cl.**
USPC **D21/369**

(58) **Field of Classification Search**
USPC D21/369, 370, 371, 385, 329, 325, 394;
D14/307, 172, 129, 325, 401, 371, 126,
D14/439, 432, 450, 128, 375, 248, 374,
D14/341, 138 G, 127; 463/28, 13, 11,
463/16, 20, 25, 31, 46, 23, 30, 17, 36, 29,
463/42, 34, 32, 35, 19, 21, 22; 273/292,
273/203, 138.2, 143 R, 142 R, 138.1;
D19/60; D16/226; D8/335, 331, 334;
D26/141; D7/641
CPC G07F 17/32; G07F 17/34; G07F 17/3211;
G07F 17/3244; G07F 17/3267
See application file for complete search history.

OTHER PUBLICATIONS

Product Sheet for "American Eagle," Eagle Co. Ltd., 1997 (2 pages).

(Continued)

Primary Examiner — Ryan Harvey
(74) *Attorney, Agent, or Firm* — Banner & Witcoff, Ltd.

(57) **CLAIM**

The ornamental design for a gaming terminal, as shown and described.

DESCRIPTION

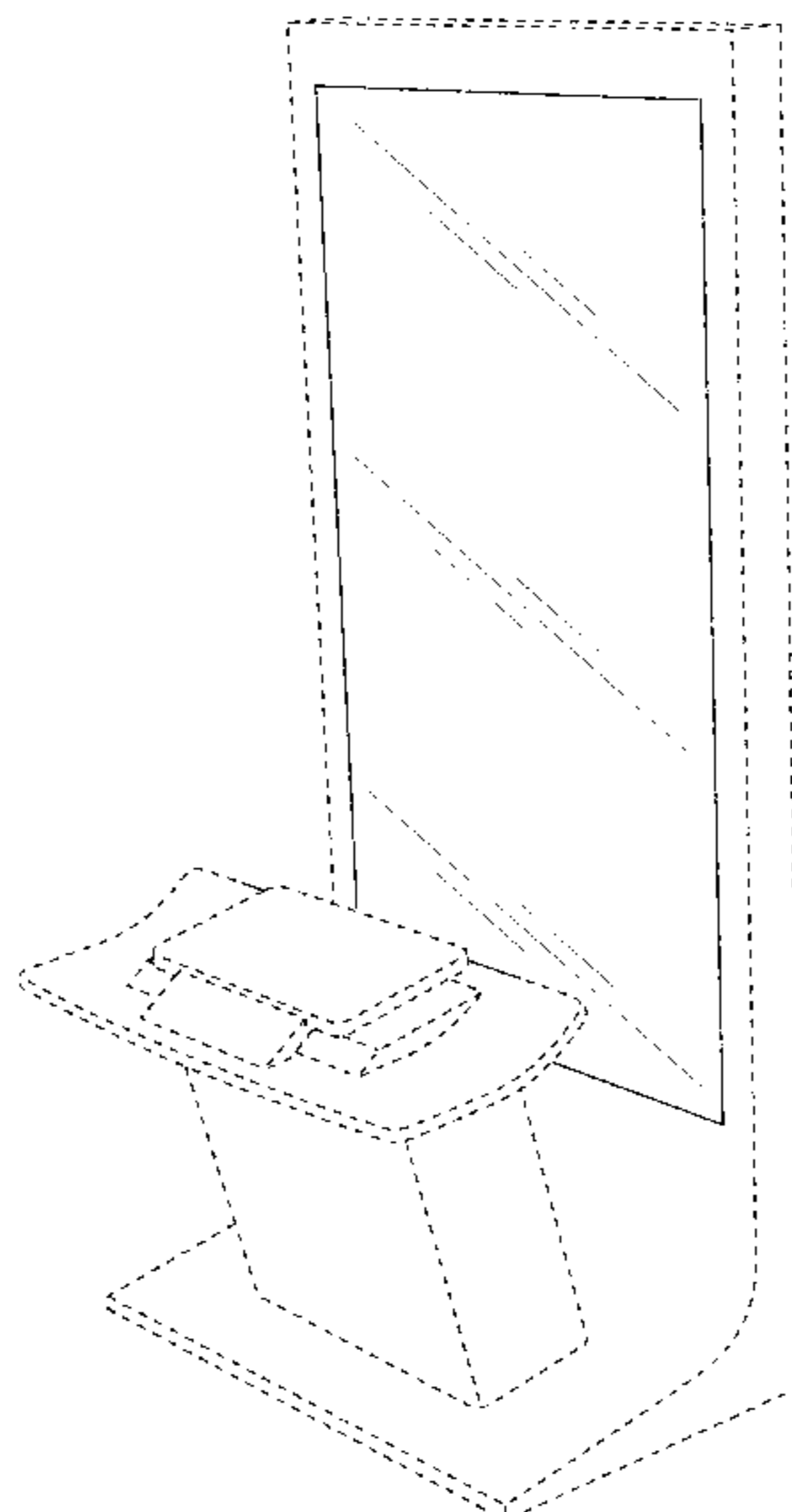
FIG. 1 is a front perspective view of a gaming terminal showing our new design;
FIG. 2 is a front view thereof;
FIG. 3 is a right side view thereof;
FIG. 4 is a left side view thereof; and,
FIG. 5 is a top view thereof.
The broken line showing of the remainder of the gaming terminal illustrates environmental structure and forms no part of the claimed design.

1 Claim, 5 Drawing Sheets

(56) **References Cited**

U.S. PATENT DOCUMENTS

2,661,954 A 12/1953 Koci
D236,720 S 9/1975 Baker
D238,379 S 1/1976 Miller
4,046,419 A 9/1977 Schmitt
D264,485 S 5/1982 Kitchen
4,372,557 A 2/1983 Del Principe et al.



(56)

References Cited

U.S. PATENT DOCUMENTS

D315,110 S	3/1991	Slater	5,934,672 A	8/1999	Sines et al.
5,015,189 A	5/1991	Wenzinger	5,938,195 A	8/1999	Anghelo et al.
D318,660 S	7/1991	Weber	5,944,309 A	8/1999	Popadiuk et al.
5,074,558 A	12/1991	Bleich et al.	D415,124 S *	10/1999	Rooyakkers D14/306
5,083,738 A	1/1992	Infanti	D417,145 S	11/1999	McLaughlin
5,091,677 A	2/1992	Bleich et al.	5,984,782 A	11/1999	Inoue
5,102,192 A	4/1992	Barile, Sr.	6,000,697 A	12/1999	Popadiuk et al.
5,110,120 A	5/1992	Smolucha	D419,201 S	1/2000	de Haas
5,114,112 A	5/1992	Infanti	D419,606 S	1/2000	Toriyama
5,120,058 A	6/1992	Trudeau et al.	6,036,188 A	3/2000	Gomez et al.
5,123,647 A	6/1992	Lawlor et al.	6,047,962 A	4/2000	Popadiuk
5,143,055 A	9/1992	Eakin	6,047,963 A	4/2000	Pierce
5,149,094 A	9/1992	Tastad	D424,122 S	5/2000	Dickenson et al.
D333,164 S	2/1993	Kraft et al.	6,071,190 A	6/2000	Weiss et al.
5,193,807 A	3/1993	Schilling et al.	D428,062 S	7/2000	Hayashi
5,195,746 A	3/1993	Boyd et al.	6,089,663 A	7/2000	Hill
D335,150 S	4/1993	Biagi et al.	D428,864 S *	8/2000	Rooyakkers D14/306
5,226,653 A	7/1993	Bil et al.	6,102,394 A	8/2000	Wurz et al.
5,232,191 A	8/1993	Infanti	6,113,097 A	9/2000	Krutsch et al.
5,290,034 A	3/1994	Hineman	6,117,010 A	9/2000	Canterbury et al.
5,297,793 A	3/1994	DeMar et al.	6,120,021 A	9/2000	Piotrowski et al.
5,316,303 A	5/1994	Trudeau et al.	6,129,353 A	10/2000	DeMar et al.
5,322,283 A	6/1994	Ritchie et al.	6,129,355 A	10/2000	Hahn et al.
5,326,104 A	7/1994	Pease et al.	6,135,449 A	10/2000	Cornell et al.
5,350,174 A	9/1994	Ritchie et al.	6,135,562 A	10/2000	Infanti
D351,869 S	10/1994	Rothschild et al.	6,149,153 A	11/2000	Sheats, Jr.
5,351,954 A	10/1994	Oursler et al.	6,155,565 A	12/2000	Gomez et al.
5,357,104 A	10/1994	Bleich	6,155,925 A	12/2000	Giobbi et al.
5,358,241 A	10/1994	Anghelo et al.	6,158,737 A	12/2000	Cornell et al.
5,358,242 A	10/1994	Trudeau et al.	6,159,098 A	12/2000	Slomiany et al.
5,358,243 A	10/1994	Eddy et al.	6,164,644 A	12/2000	Cornell et al.
D352,738 S	11/1994	Anghelo et al.	6,173,955 B1	1/2001	Perrie et al.
5,383,663 A	1/1995	Anghelo et al.	6,199,861 B1	3/2001	Hume et al.
5,405,144 A	4/1995	Ritchie et al.	D439,931 S	4/2001	Yamaguchi
5,409,296 A	4/1995	Barile	6,210,279 B1	4/2001	Dickinson
5,411,257 A	5/1995	Fulton	6,224,482 B1	5/2001	Bennett
5,415,402 A	5/1995	Morrison et al.	6,227,614 B1	5/2001	Rubin
5,415,403 A	5/1995	Ritchie et al.	6,227,970 B1	5/2001	Shimizu et al.
5,417,423 A	5/1995	Oursler et al.	D443,313 S	6/2001	Brettschneider
5,417,425 A	5/1995	Blumberg et al.	D446,252 S	8/2001	Yamaguchi
5,437,453 A	8/1995	Hineman	6,283,546 B1	9/2001	Hill
5,465,963 A	11/1995	Patla, Sr.	6,290,229 B1	9/2001	Perez
5,472,197 A	12/1995	Gwiasda et al.	D450,094 S	11/2001	Hedrick et al.
5,494,286 A	2/1996	DeMar et al.	6,334,612 B1	1/2002	Wurz et al.
5,507,488 A	4/1996	Eddy et al.	6,354,660 B1	3/2002	Friedrich
5,511,783 A	4/1996	Popadiuk et al.	D459,402 S	6/2002	Wurz et al.
5,516,103 A	5/1996	Lawlor et al.	6,422,670 B1	7/2002	Hedrick et al.
5,522,641 A	6/1996	Infanti	6,422,941 B1	7/2002	Thorner et al.
5,524,887 A	6/1996	Trudeau et al.	6,439,993 B1	8/2002	O'Halloran
5,533,726 A	7/1996	Nordman et al.	D463,504 S	9/2002	Stephan
5,542,748 A	8/1996	Barile	D464,377 S	10/2002	Wurz et al.
D376,391 S	12/1996	Okumura	D465,813 S	11/2002	Randall
5,580,052 A	12/1996	Popadiuk et al.	D466,160 S	11/2002	Hirato et al.
5,632,482 A	5/1997	Anghelo	D467,977 S	12/2002	Gatto et al.
D380,014 S	6/1997	Yang	D468,364 S	1/2003	Beadell et al.
5,655,965 A	8/1997	Takemoto et al.	6,530,842 B1	3/2003	Wells et al.
5,664,777 A	9/1997	Nordman et al.	6,530,872 B2	3/2003	Frehland et al.
5,669,818 A	9/1997	Thorner et al.	6,572,187 B2	6/2003	Laufer
5,678,886 A	10/1997	Infanti	6,589,114 B2	7/2003	Rose
5,697,612 A	12/1997	Piotrowski et al.	6,609,972 B2	8/2003	Seelig et al.
5,704,835 A	1/1998	Dietz, II	6,616,142 B2	9/2003	Adams
5,707,059 A	1/1998	Sullivan et al.	6,620,047 B1	9/2003	Alcorn et al.
5,720,480 A	2/1998	Lawlor et al.	D481,078 S	10/2003	Stephan
D395,463 S	6/1998	Scott et al.	6,646,695 B1	11/2003	Gauselmann
5,762,617 A	6/1998	Infanti	6,652,378 B2	11/2003	Cannon et al.
5,791,731 A	8/1998	Infanti	D483,075 S	12/2003	Kang
5,806,851 A	9/1998	Gomez et al.	D484,548 S	12/2003	Franco Munoz et al.
5,820,460 A	10/1998	Fulton	D485,583 S	1/2004	Porto
5,833,236 A	11/1998	Oursler et al.	6,715,756 B2	4/2004	Inoue
D405,473 S	2/1999	Tikhonski et al.	6,729,618 B1	5/2004	Koenig et al.
D407,759 S	4/1999	Isetani et al.	D492,363 S	6/2004	Seelig et al.
D408,366 S	4/1999	Popadiuk	D492,364 S	6/2004	Seelig et al.
5,890,715 A	4/1999	Gomez et al.	D492,365 S	6/2004	Munoz et al.
5,899,454 A	5/1999	Eddy	D492,676 S	7/2004	Monson et al.
5,924,690 A	7/1999	Kopera et al.	D493,843 S	8/2004	Jackson, Sr. et al.
			D493,846 S	8/2004	Seelig et al.
			D495,754 S	9/2004	Wurz et al.
			D495,755 S	9/2004	Wurz et al.
			D498,267 S	11/2004	Crouch

(56)

References Cited

U.S. PATENT DOCUMENTS

D500,098 S	12/2004	Doi		D632,342 S *	2/2011	Wen	D21/370
6,880,825 B2	4/2005	Seelig et al.		D633,950 S	3/2011	Terpstra et al.	
D505,162 S	5/2005	Bristol et al.		D634,745 S *	3/2011	Park	D14/373
D508,268 S	8/2005	Hanchar et al.		D637,238 S	5/2011	O'Keene et al.	
D508,269 S	8/2005	Wichinsky		D637,652 S	5/2011	Tahara et al.	
D508,719 S	8/2005	de Haas		7,938,728 B2	5/2011	Vetter et al.	
D508,961 S	8/2005	Gatto et al.		7,955,176 B2	6/2011	Tastad et al.	
D509,254 S	9/2005	Rasmussen et al.		D641,047 S	7/2011	Tahara et al.	
D509,255 S	9/2005	Bristol et al.		7,976,393 B2	7/2011	Raga et al.	
D512,105 S	11/2005	Chitrapongse et al.		7,985,139 B2	7/2011	Lind et al.	
D513,511 S	1/2006	Decombe		8,002,424 B2	8/2011	Hwang et al.	
D515,144 S	2/2006	Boyd		8,002,626 B2	8/2011	Englman	
6,997,810 B2	2/2006	Cole		D646,336 S	10/2011	Kelly et al.	
D520,504 S	5/2006	Martin		D646,337 S	10/2011	Kelly et al.	
7,063,615 B2	6/2006	Alcorn et al.		D646,691 S	10/2011	Thai et al.	
D525,664 S *	7/2006	Cole	D21/369	D649,605 S	11/2011	Terpstra et al.	
7,108,237 B2	9/2006	Gauselmann		D651,608 S	1/2012	Allen et al.	
D531,677 S	11/2006	Mallory et al.		8,152,623 B2	4/2012	Fiden	
7,184,277 B2	2/2007	Beirne		8,162,740 B2	4/2012	Aoki	
D537,885 S	3/2007	Gadda et al.		8,216,061 B2	7/2012	Pacey	
D539,854 S	4/2007	Luciano et al.		8,267,764 B1	9/2012	Aoki et al.	
D540,398 S	4/2007	Gadda et al.		D669,076 S	10/2012	Haller	
D546,893 S	7/2007	Yamashita		8,292,451 B2	10/2012	Hwang et al.	
7,247,098 B1	7/2007	Bradford et al.		8,303,420 B2	11/2012	Chudek et al.	
D548,801 S	8/2007	Grosvirt		8,305,743 B2	11/2012	Wu et al.	
D549,785 S	8/2007	Luciano, Jr. et al.		8,323,114 B2	12/2012	Burak et al.	
7,267,612 B2	9/2007	Alcorn et al.		D673,620 S	1/2013	Johnson et al.	
D554,710 S	11/2007	Malone et al.		D673,621 S *	1/2013	Johnson	D21/369
D556,765 S	12/2007	Evans et al.		8,353,755 B2	1/2013	Vann et al.	
D557,748 S	12/2007	Jumper		8,371,920 B2	2/2013	Gomez et al.	
D559,328 S	1/2008	Rasmussen et al.		8,371,927 B2	2/2013	Englman	
D559,917 S	1/2008	Cole		8,371,928 B2	2/2013	Englman et al.	
D560,724 S	1/2008	Johnson		8,376,832 B2	2/2013	O'Connor et al.	
D560,725 S	1/2008	Johnson		D678,955 S	3/2013	Lesley et al.	
D563,326 S	3/2008	Patel et al.		D678,956 S	3/2013	Lesley et al.	
D563,481 S	3/2008	Looks et al.		D678,957 S	3/2013	Cesaroni et al.	
D564,600 S	3/2008	Greenberg et al.		D678,958 S	3/2013	Cesaroni et al.	
D564,601 S	3/2008	Strahinic et al.		D681,130 S	4/2013	Lesley et al.	
D566,197 S	4/2008	Greenberg et al.		8,430,756 B2	4/2013	McComb et al.	
D569,863 S	5/2008	Feldstein et al.		D682,948 S	5/2013	Cesaroni et al.	
D572,314 S	7/2008	Vallejo et al.		D685,033 S	6/2013	Wudtke	
D578,168 S	10/2008	Looks et al.		D685,435 S *	7/2013	Hohman	D21/370
D581,983 S	12/2008	Bergstrom		D691,665 S	10/2013	Chudek	
RE40,625 E	1/2009	Wurz et al.		D691,666 S	10/2013	Lesley et al.	
7,479,066 B2	1/2009	Emori		D693,343 S	11/2013	Haller	
D585,857 S *	2/2009	Monson	D14/126	D697,558 S	1/2014	Myers et al.	
D586,866 S *	2/2009	Hsu	D21/370	D704,273 S	5/2014	Chudek	
D587,272 S	2/2009	Morrow et al.		D704,275 S	5/2014	Lesley et al.	
D587,319 S	2/2009	Moises Deiab		D706,741 S	6/2014	Myers	
RE40,671 E	3/2009	Wurz et al.		D712,975 S	9/2014	Lesley et al.	
7,503,849 B2	3/2009	Hornik et al.		D714,875 S	10/2014	Wudtke et al.	
D590,025 S	4/2009	Fiore		D715,364 S	10/2014	Wudtke et al.	
D594,068 S	6/2009	Hsu		8,851,989 B2 *	10/2014	Rosander	G07F 17/3216 463/31
D596,678 S	7/2009	Myers		D720,710 S *	1/2015	Aarrestad	D14/127
D599,365 S	9/2009	Brown et al.		D723,626 S *	3/2015	Vasquez	D21/370
D599,858 S	9/2009	Lesley et al.		8,982,545 B2	3/2015	Kim et al.	
D599,859 S	9/2009	Lesley		D730,993 S	6/2015	Castro et al.	
D599,860 S	9/2009	Lesley et al.		D740,887 S *	10/2015	Randazzo	D21/370
D601,638 S	10/2009	Palmisano		D740,888 S	10/2015	DePalma et al.	
D604,368 S	11/2009	Lesley et al.		D742,974 S	11/2015	Lesley et al.	
7,628,693 B2	12/2009	Thomas		D742,975 S	11/2015	Myers et al.	
7,666,085 B2	2/2010	Vorias et al.		D755,745 S *	5/2016	Williams	D14/126
7,686,689 B2	3/2010	Thomas		D760,846 S	7/2016	Castro et al.	
D613,802 S	4/2010	Meyers et al.		D763,361 S *	8/2016	Rosander	D21/370
D615,598 S	5/2010	McComb et al.		RE46,169 E	10/2016	Kelly et al.	
7,713,119 B2	5/2010	Pacey et al.		9,704,337 B2 *	7/2017	Riggs	G07F 17/3258
D619,660 S *	7/2010	Cole	D21/370	D808,354 S *	1/2018	Castro	D14/127
D622,780 S	8/2010	Lesley et al.		D808,467 S *	1/2018	Huang	D21/369
D622,781 S	8/2010	Lesley et al.		D810,833 S *	2/2018	Rosander	D21/370
D622,782 S	8/2010	Chudek et al.		D826,338 S *	8/2018	Bussey	D21/369
D626,182 S	10/2010	Cole et al.		D834,652 S *	11/2018	Lee	D21/369
D626,183 S	10/2010	Cole et al.		10,127,761 B2 *	11/2018	Woels	G07F 17/3216
7,811,167 B2	10/2010	Giobbi et al.		D842,929 S *	3/2019	Hung	D21/325
D631,060 S	1/2011	Flik et al.		D843,471 S *	3/2019	Castro	D21/369
D631,100 S	1/2011	Palmisano					

(56)

References Cited

U.S. PATENT DOCUMENTS

D843,472 S * 3/2019 Castro D21/369
 D847,905 S * 5/2019 Lewis D21/369
 D849,149 S * 5/2019 Bussey D21/369
 D849,150 S * 5/2019 Gallagher D21/369
 10,297,103 B2 * 5/2019 Hornik G07F 17/3213
 D852,890 S * 7/2019 Ross D21/370
 10,354,494 B2 * 7/2019 Hartl G07F 17/3244
 10,424,149 B1 * 9/2019 Halvorson G06F 7/588
 D865,066 S * 10/2019 Ortiz De Viveiros D21/369
 2002/0041069 A1 4/2002 Steelman
 2002/0065132 A1 * 5/2002 Stephan A63F 13/08
 463/30
 2003/0122973 A1 7/2003 Huang
 2004/0018877 A1 1/2004 Tastad et al.
 2004/0029631 A1 2/2004 Duhamel
 2004/0053662 A1 3/2004 Pacey
 2004/0229698 A1 * 11/2004 Lind A63F 13/12
 463/42
 2005/0014547 A1 1/2005 Gomez et al.
 2006/0009284 A1 1/2006 Schwartz et al.
 2006/0034042 A1 2/2006 Hisano et al.
 2006/0079316 A1 4/2006 Flemming et al.
 2006/0131810 A1 6/2006 Nicely
 2006/0183553 A1 8/2006 Kiriyama et al.
 2006/0199638 A1 9/2006 Walker et al.
 2006/0281559 A1 12/2006 Luciano
 2006/0287111 A1 12/2006 Mitchell et al.
 2007/0060387 A1 * 3/2007 Enzminger G07F 17/32
 463/43
 2008/0039213 A1 2/2008 Cornell et al.
 2008/0051202 A1 2/2008 Lube
 2008/0113794 A1 * 5/2008 Cole G07F 17/32
 463/31
 2009/0174996 A1 7/2009 Park
 2010/0053231 A1 3/2010 Park
 2012/0122569 A1 5/2012 Kowolik et al.
 2012/0168058 A1 7/2012 Kim et al.
 2013/0084948 A1 * 4/2013 Watkins G07F 17/3276
 463/23
 2013/0180653 A1 7/2013 Kim et al.
 2013/0278875 A1 10/2013 Kim et al.
 2014/0055696 A1 2/2014 Lee et al.
 2014/0092356 A1 4/2014 Ahn et al.
 2014/0176856 A1 6/2014 Lee et al.
 2014/0226111 A1 8/2014 Kim
 2014/0226112 A1 8/2014 Kim
 2014/0354938 A1 12/2014 Kim
 2014/0368782 A1 12/2014 Kim et al.
 2014/0375936 A1 12/2014 Park et al.
 2015/0000823 A1 1/2015 Kim et al.
 2015/0036073 A1 2/2015 Im et al.
 2015/0116621 A1 4/2015 Park et al.
 2015/0116625 A1 4/2015 Hwang et al.
 2015/0301390 A1 10/2015 Kim
 2016/0364946 A1 * 12/2016 Castro G07F 17/3216
 2018/0075707 A1 * 3/2018 Hirai G07F 17/3209
 2018/0082523 A1 * 3/2018 Palermo G07F 17/3216
 2019/0102971 A1 * 4/2019 Schoonmaker F16M 11/06
 2019/0102974 A1 * 4/2019 Bussey G07F 17/3211
 2019/0102983 A1 * 4/2019 Gallagher G07F 17/3216
 2019/0102984 A1 * 4/2019 Gallagher G07F 17/3216

FOREIGN PATENT DOCUMENTS

KR 1113734 B1 2/2012
 KR 2012051630 A 5/2012
 KR 1268471 B1 6/2013
 KR 1278904 B1 6/2013
 KR 1336677 B1 12/2013
 KR 1381609 B1 4/2014
 KR 1381610 B1 4/2014
 KR 2015013987 A 2/2015
 KR 1539221 B1 7/2015
 TW 200949775 A 12/2009

OTHER PUBLICATIONS

Product Sheet for “Monopoly Chairman of the Board™,” WMS Gaming Inc., 1999 (2 pages).
 Product Sheet for “American Eagle,” Eagle Co., Ltd., 2000 (2 pages).
 Product Sheet for “Survivor,” WMS Gaming Inc., 2001 (4 pages).
 Product Sheet for “ProSLOT®6000,” Bally Gaming Systems, 2002 (4 pages).
 Product Sheet for “EVO™ Hybrid,” Bally Gaming Systems, 2002 (4 pages).
 Product Sheet for “3RV™,” WMS Gaming Inc., 2002 or earlier (2 pages).
 Product Sheet for “Miss America,” AC Coin & Slot, 2002 or earlier (2 pages).
 Product Catalog for Ainsworth Game Technology Ltd, date estimated as early as 2007 (6 pages).
 Product Sheet for “Ultrapin™,” Global VR, 2007 (1 pages).
 Brochure for “Virtual Pinball,” Tab-Austria, 2007 (8 pages).
 Catalog for Atronic®—Spielo®, date estimated as early as 2008 (2 pages).
 Product Catalog for “Alpha Elite™,” Bally Technologies, date estimated as early as 2008-2009 (2 pages).
 Cabinet Brochure for Hydako Co., date estimated as early as 2009 (1 page).
 Product Catalog for Bally Technologies, date estimated as early as 2010 (2 pages).
 Fall & Winter Catalog for Aristocrat, date estimated as early as 2010-2011 (7 pages).
 Catalog for “Your Partner Innovation,” Bally Technologies, date estimated as early as 2011 (4 pages).
 Co-pending Design U.S. Appl. No. 29/559,629, filed Mar. 30, 2016.
 Co-pending Design U.S. Appl. No. 29/559,613, filed Mar. 30, 2016.
 Co-pending Design U.S. Appl. No. 29/559,593, filed Mar. 30, 2016.
 Immersaview, “Why choose a Curved Screen for your Multi-Projector Setup”, Jan. 28, 2016; retrieved from <<https://www.immersaview.com/resources/why-curved/>> (7 pages).
 Denison; “Why can’t you buy a flat OLED yet? The curve isn’t just about viewing experience”; Digital Trends; Aug. 18, 2013; retrieved from <<http://www.digitaltrends.com/home-theater-why-did-the-us-get-stuck-with-curved-oled/#!zXypT>> (8 pages).
 Wilcox, “LG, Samsung, and Sony throw TV buyers a curve”; Consumer Reports; Sep. 10, 2013; retrieved from <<http://www.consumerreports.org/cro/news/2013/09/curved-tv-screens/index.htm#>> (1 page).
 Snider; “Sony tosses latest pitch for curved TV displays”; USA Today; Oct. 15, 2013; retrieved from <<http://www.usatoday.com/story/tech/personal/2013/10/15/new-curved-sony-led-hdtv/2982051/>> (2 pages).
 Morrison; “Curved OLED HDTV screens are a bad idea (for now)”; CNET; Jun. 18, 2013; retrieved from <<https://www.cnet.com/news/curved-oled-hdtv-screens-are-a-bad-idea-for-now/>> (9 pages).
 Cochran; “Why Samsung’s curved-screen TV might be a ‘game changer’”; CBS News; Aug. 14, 2013; retrieved from <<http://www.cbsnews.com/news/why-samsungs-curved-screen-tv-might-be-a-game-changer/>> (3 pages).
 Kelly; “TV trends at CES: 4K, curves and smart TVs”; CNN; Jan. 8, 2014; retrieved from <<http://www.cnn.com/2014/01/07/tech/gaming-gadgets/ces-television-trends/>> (5 pages).
 Manjoo; “TV Makers Are Out of Ideas”; Wall Street Journal; Jan. 8, 2014; retrieved from <<https://www.wsj.com/news/articles/SB10001424052702303393804579308801012230792>> (4 pages).
 Daniel; “Curved Monitors—Overview”; Curved Monitor Test; Aug. 28, 2015; retrieved from <<http://www.curved-monitor-test.de/>> (5 pages).
 Matthias; “Curved TV—Overview”; Curved TV Test; Apr. 20, 2016; retrieved from <<https://technikblog.net/fernseher-test/curved-tv/>> (16 pages, in German).
 Ljt216; “Flat Screen vs Curved CRTs for Retro Games”; Reddit; Jul. 29, 2015; retrieved from <https://www.reddit.com/r/gamecollecting/comments/3f25r0/flat_screen_vs_curved_crts_for_retro_games/> (4 pages).

(56)

References Cited

OTHER PUBLICATIONS

Photonics Industry and Technology Development Association (PIDA); "E-Paper Shows Potential at Creating a Paperless Haven"; OptoLink Magazine, 3 Quarter 2008; pp. 8-11 (4 pages).

AU Optronics Corp.; News Center: "AUO Announces Multiple Upcoming Innovations"; Oct. 27, 2008; retrieved from <<http://www.auo.com/?sn=107&lang=en-US&c=10&n=363>>; (2 pages).

DigiTimes, Inc.; "FPD China 2009: AUO 8.9-inch convex display panel"; Mar. 12, 2009; retrieved from <<http://www.digitimes.com/photogallery/showphoto.asp?ID=3376>>; (3 pages).

Gizmodo.com; "AUO Curved Displays, Ultra Thin LCDs on the Way"; May 20, 2008; retrieved from <<http://gizmodo.com/392248/auo-curved-displays-ultra-thin-lcds-on-the-way>>; (2 pages).

PC World; "AU Optronics Shows Off Curved LCD Screen"; May 20, 2008; retrieved from <<http://www.pcworld.com/article/146083/article.amp.html>> (3 pages).

DailyTech; "AUO Shows Off Curved Display and Touch Screen", May 23, 2008; retrieved from <<http://www.dailytech.com/AUO+Shows+Off+Curved+Display+and+Touch+Screen+Tech/article11845.htm>>; (2 pages).

OLED-Info; "LG Phillips LCD Develops 14.3-Inch Color E-Paper Display"; Jan. 4, 2008; retrieved from <http://www.oled-info.com/lg/lg_phillips_lcd_develops_14_3_inch_color_e_paper_display>; (2 pages).

NewLaunches.com; "LG Phillips LCD develops world's highest resolution 14.3 inch flexible color E-paper display!"; Jan. 3, 2008; retrieved from <http://newlaunches.com/archives/lgphillips_lcd_develops_worlds_highest_resolution_143inch_flexible_color_epaper_display.php>; (4 pages).

Series of Screenshots from video: Wood, Molly (Mar. 26, 2015). Major, Clare, Carr, Vanessa, eds. <https://www.nytimes.com/video/technology/personaltech/10000002788325/curved-screens-worth-it.html>.

* cited by examiner

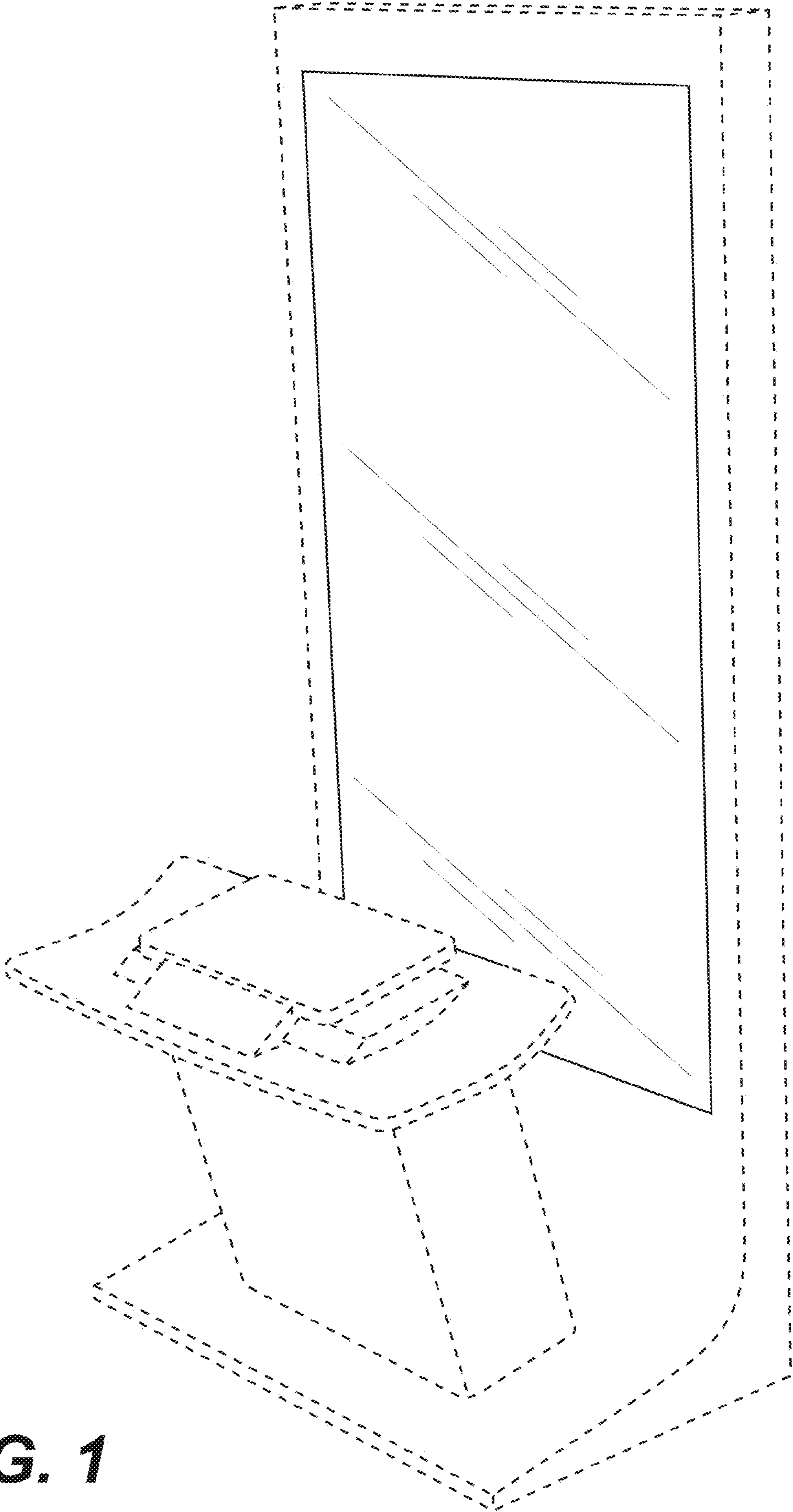


FIG. 1

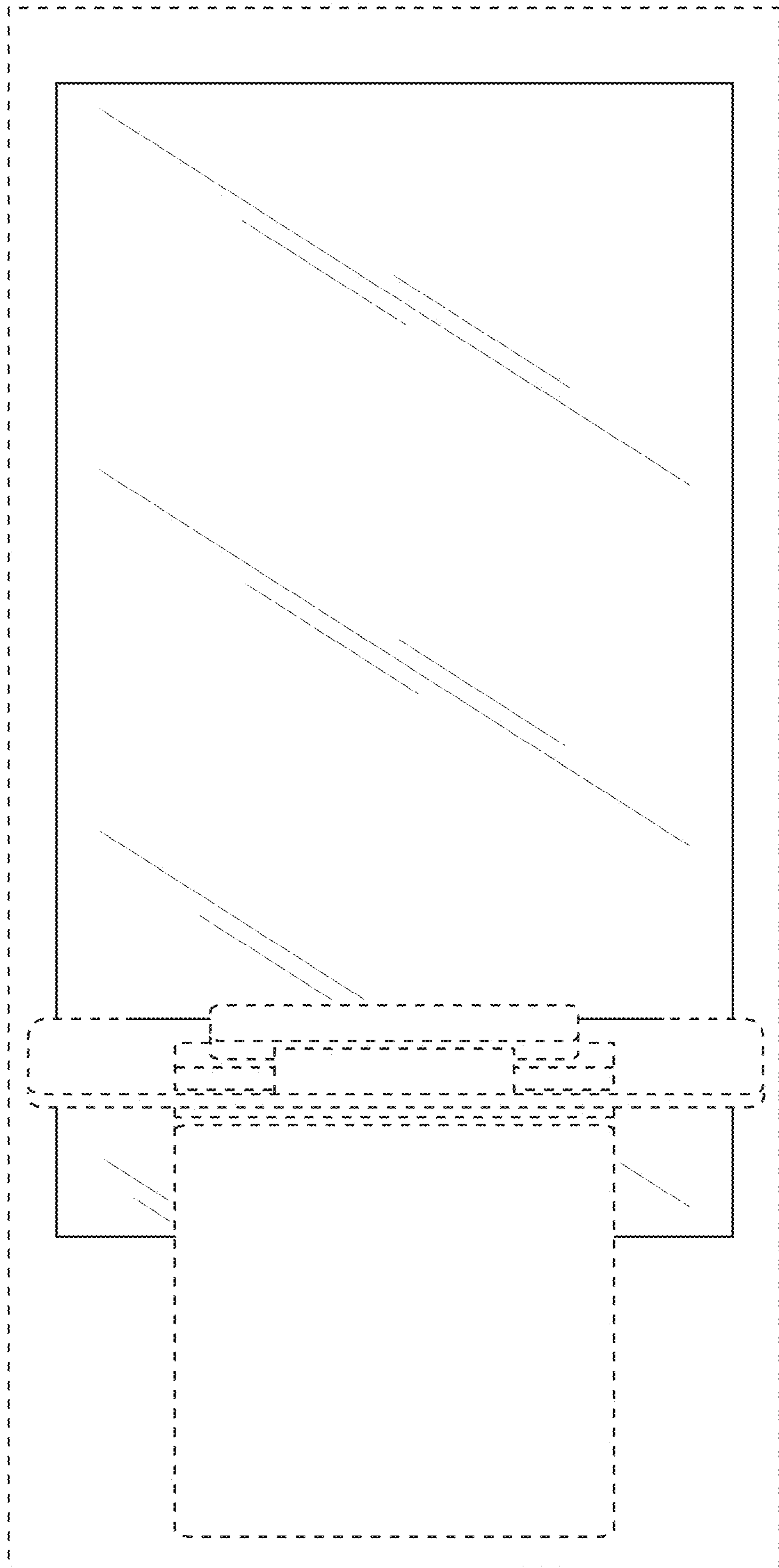


FIG. 2

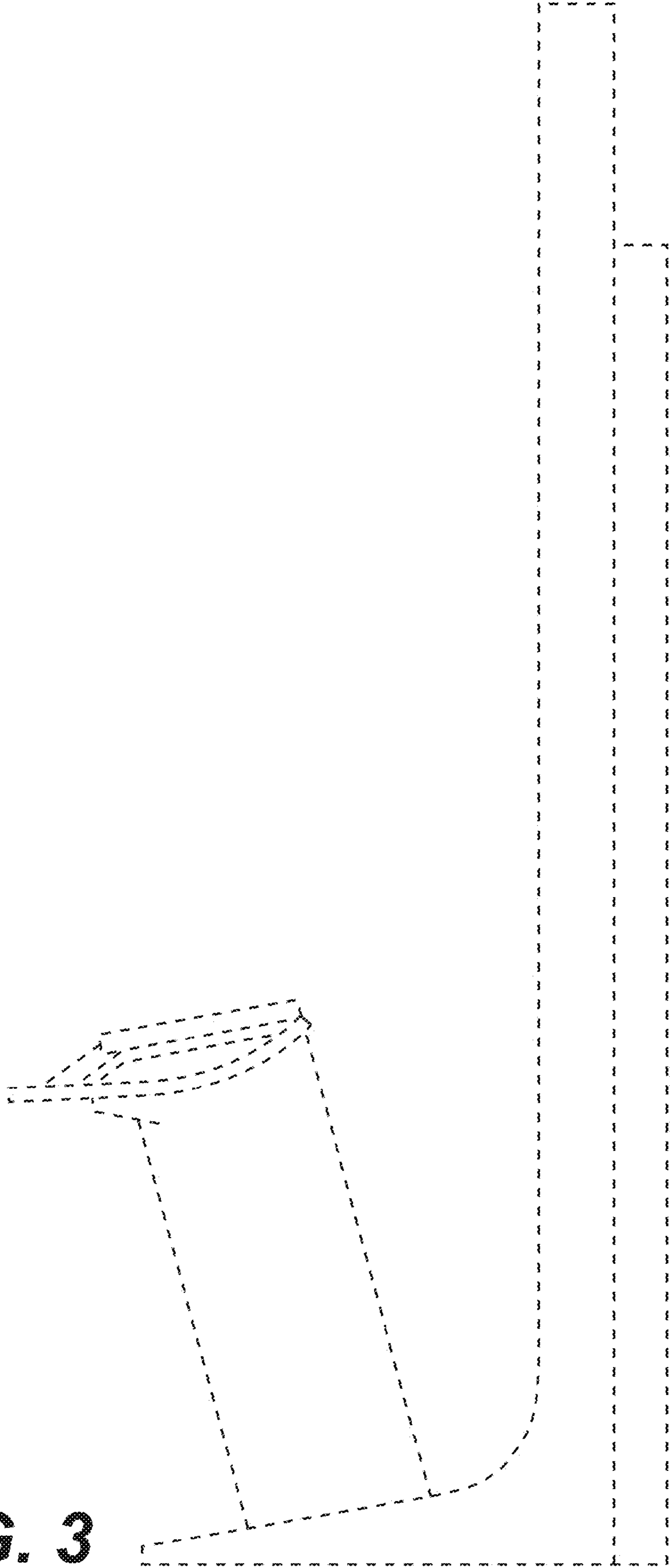


FIG. 3

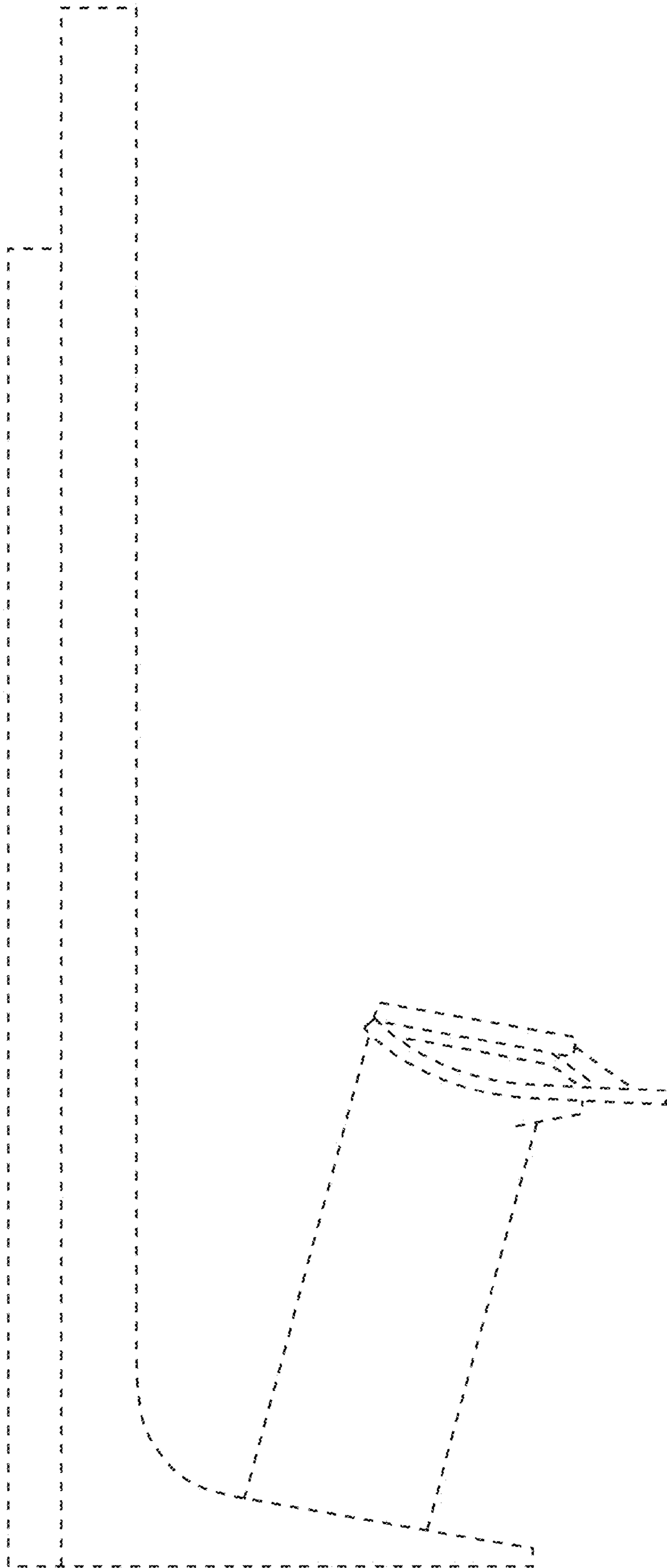


FIG. 4

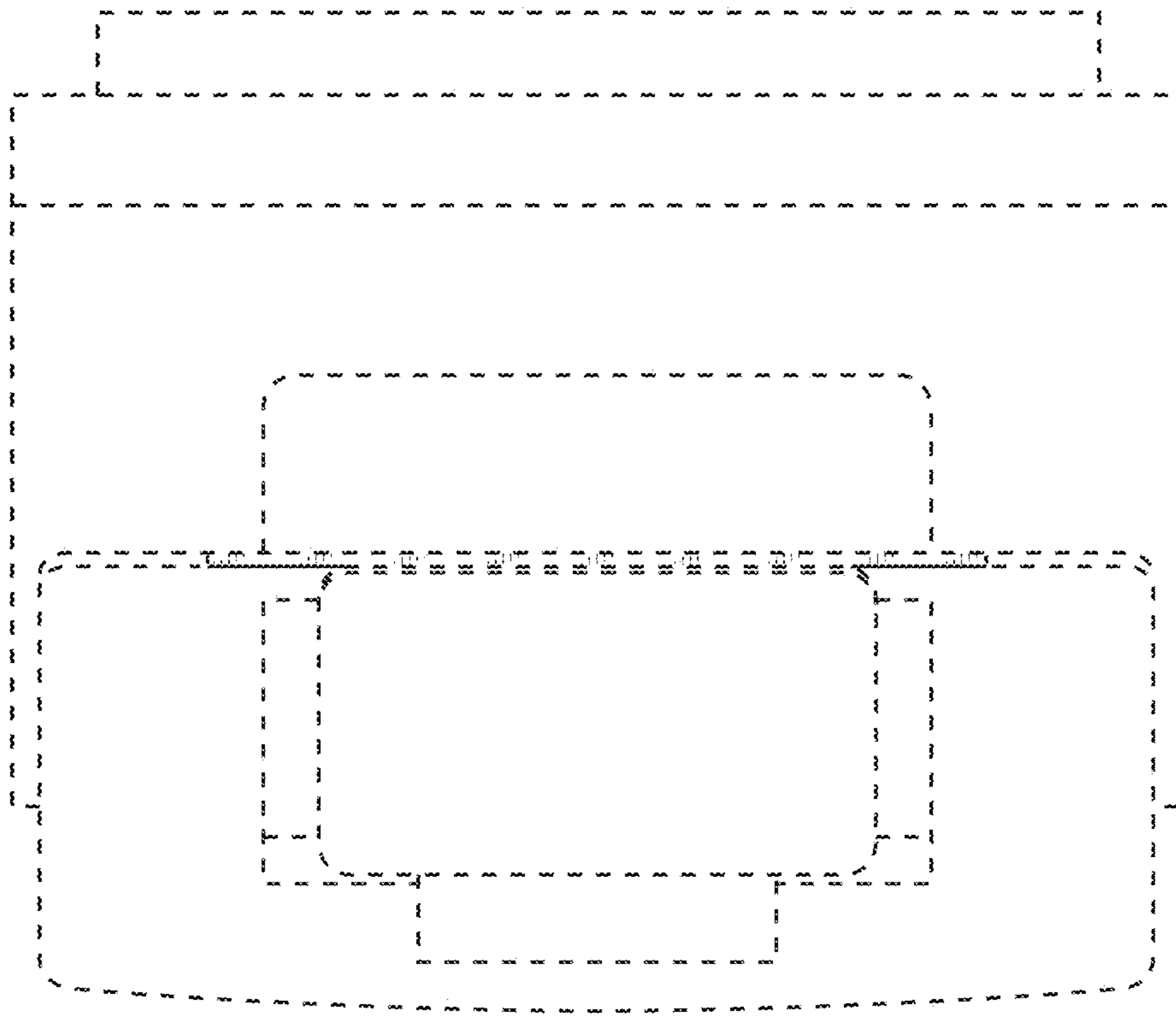


FIG. 5