



US00D889549S

(12) **United States Design Patent** (10) **Patent No.:** **US D889,549 S**
Ironmonger et al. (45) **Date of Patent:** **** Jul. 7, 2020**

(54) **GAME CONTROLLER**

FOREIGN PATENT DOCUMENTS

(71) Applicant: **Ironburg Inventions Limited**,
Wincanton, Somerset (GB)

CN 202 528 096 U 11/2012
CN 203 077 157 U 7/2013

(Continued)

(72) Inventors: **Duncan Ironmonger**, Suwanee, GA
(US); **Carl Jeffrey**, Gloucestershire
(GB); **Michael Parker**, Gloucestershire
(GB)

OTHER PUBLICATIONS

SCUFVantage PS4: Published Dec. 24, 2018 [online], site visited
Sep. 12, 2019. Available from Internet URL: <https://web.archive.org/web/20181224130438/https://scufgaming.com/playstation-4-vantage-gaming-controllers> (Year: 2018).*

(Continued)

(73) Assignee: **Ironburg Inventions Limited**,
Wincanton (GB)

(**) Term: **15 Years**

Primary Examiner — Jack Reickel

Assistant Examiner — Melvin L Davis

(21) Appl. No.: **29/662,364**

(74) *Attorney, Agent, or Firm* — Walters & Wasylyna
LLC

(22) Filed: **Sep. 5, 2018**

(51) **LOC (12) Cl.** **21-01**

(52) **U.S. Cl.**

USPC **D21/333**; D14/401

(58) **Field of Classification Search**

USPC D14/174, 218, 387–389, 400–418,

D14/426–431, 443, 449–450, 454, 471,

D14/511; D21/333, 363, 368

CPC A63F 13/42; A63F 13/98; A63F 13/24;

G06F 3/0338

See application file for complete search history.

(57) **CLAIM**

The ornamental design for a games controller, as shown and
described.

DESCRIPTION

FIG. 1 is a front and top perspective view of a games
controller in accordance with the present design;

FIG. 2 is a front and bottom perspective view of the games
controller of FIG. 1;

FIG. 3 is a front view of the games controller of FIG. 1;

FIG. 4 is a rear view of the games controller of FIG. 1;

FIG. 5 is a right side view of the games controller of FIG.
1;

FIG. 6 is a left side view of the games controller of FIG. 1;

FIG. 7 is a top side view of the games controller of FIG. 1;

FIG. 8 is a bottom view of the games controller of FIG. 1;
and,

FIG. 9 is a detailed view taken at area 9 on FIG. 1.

The broken lines depict portions of the article that form no
part of the claimed design.

(56) **References Cited**

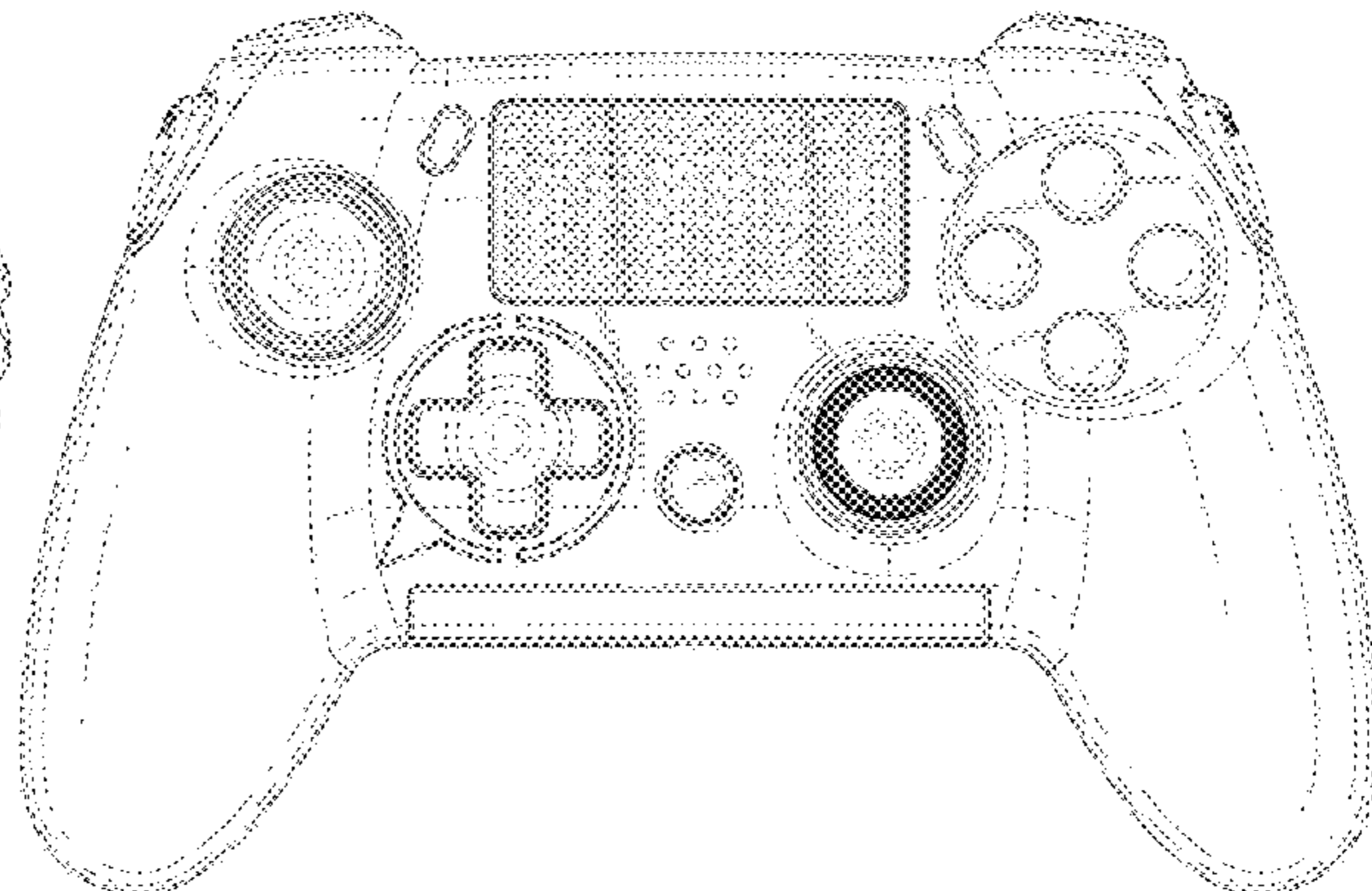
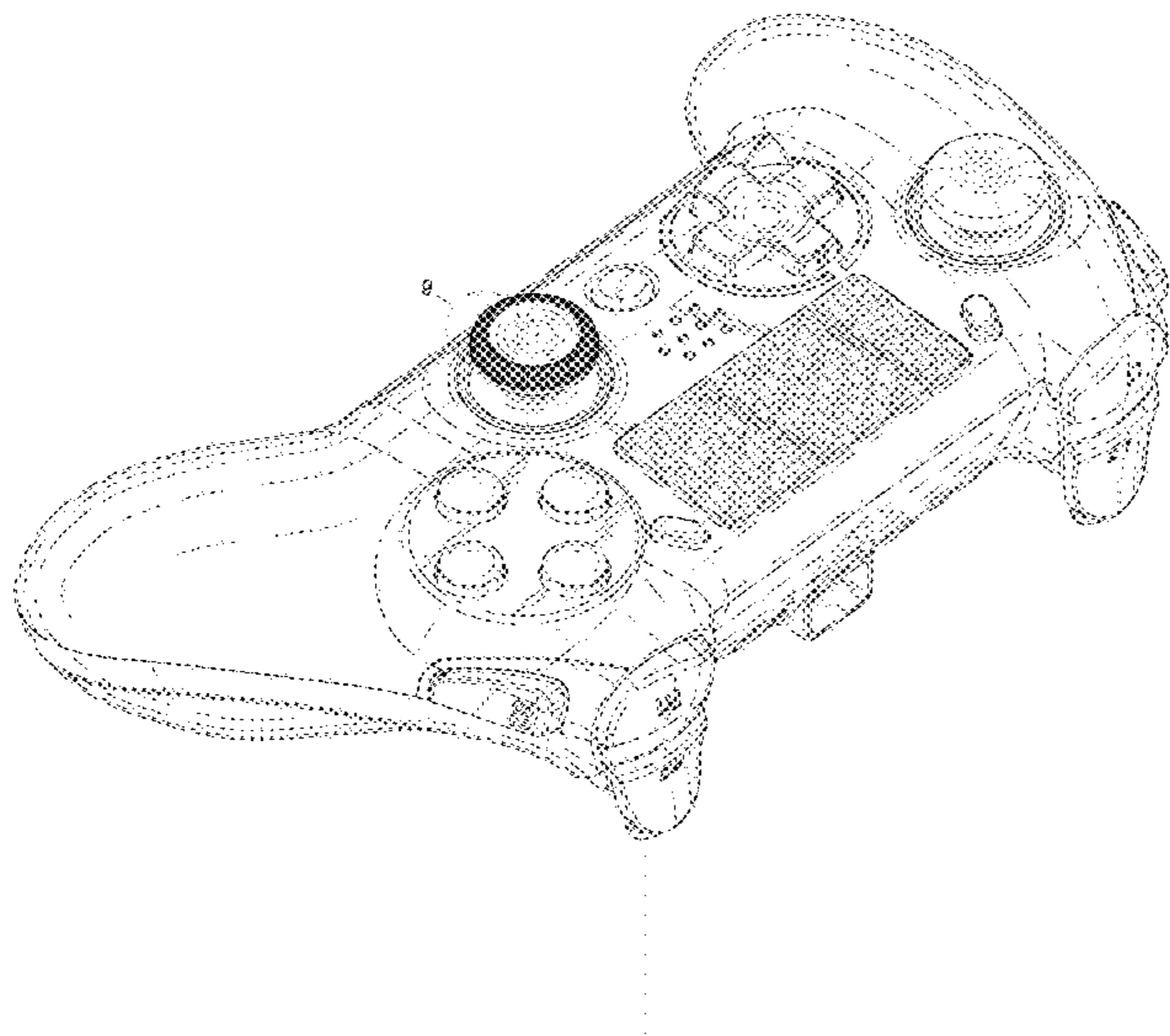
U.S. PATENT DOCUMENTS

4,032,728 A 6/1977 Oelsch
4,786,768 A 11/1988 Langewis et al.
5,430,262 A 7/1995 Matsui et al.
5,451,053 A 9/1995 Garrido
5,670,988 A * 9/1997 Tickle G06F 3/0338
345/157

5,773,769 A 6/1998 Raymond
5,841,372 A 11/1998 Matsumoto
5,874,906 A 2/1999 Willner et al.

(Continued)

1 Claim, 9 Drawing Sheets



(56)

References Cited

U.S. PATENT DOCUMENTS

5,883,690 A 3/1999 Meyers et al.
 D415,752 S * 10/1999 Tyler D14/401
 5,989,123 A 11/1999 Tosaki et al.
 6,203,432 B1 3/2001 Roberts et al.
 6,251,015 B1 6/2001 Caprai
 6,512,511 B2 1/2003 Willner et al.
 6,710,766 B1 3/2004 Ogata
 6,752,719 B2 6/2004 Himoto et al.
 6,760,013 B2 7/2004 Willner et al.
 6,853,308 B1 2/2005 Dustin
 7,510,477 B2 3/2009 Argentar
 7,758,424 B2 7/2010 Riggs et al.
 7,859,514 B1 12/2010 Park
 7,993,203 B1 8/2011 Walker, II et al.
 D685,434 S * 7/2013 Ali D14/401
 8,641,525 B2 2/2014 Burgess et al.
 D708,615 S * 7/2014 Delrue D14/401
 D709,498 S * 7/2014 Morris D14/401
 8,777,620 B1 7/2014 Baxter
 9,089,770 B2 7/2015 Burgess et al.
 D745,607 S * 12/2015 Jones D14/401
 D754,128 S * 4/2016 Bellinghausen D14/401
 D767,682 S * 9/2016 Bellinghausen D14/401
 D780,180 S 2/2017 Ironmonger et al.
 D780,759 S 3/2017 Ironmonger et al.
 D780,760 S 3/2017 Ironmonger et al.
 D784,989 S * 4/2017 Kujawski D14/401
 D794,027 S 8/2017 Ironmonger et al.
 D794,129 S * 8/2017 Kujawski D14/401
 D794,717 S * 8/2017 Kujawski D14/401
 9,804,691 B1 10/2017 Strahle et al.
 10,286,306 B2 * 5/2019 Okamura A63F 13/24
 2001/0003713 A1 6/2001 Willner et al.
 2001/0025778 A1 10/2001 Ono
 2002/0052237 A1 5/2002 Magill
 2002/0128064 A1 9/2002 Sobota
 2003/0067111 A1 4/2003 Swan
 2004/0259059 A1 12/2004 Aoki
 2005/0083297 A1 4/2005 Duncan
 2005/0215321 A1 * 9/2005 Hussaini A63F 13/06
 463/37
 2005/0230230 A1 10/2005 Ueshima et al.
 2006/0025217 A1 2/2006 Hussaini et al.
 2006/0116204 A1 6/2006 Chen et al.
 2007/0281787 A1 12/2007 Numata et al.
 2008/0261695 A1 10/2008 Coe
 2009/0054146 A1 2/2009 Epstein
 2009/0088250 A1 4/2009 Carlson
 2009/0258705 A1 10/2009 Guinchard
 2010/0073283 A1 3/2010 Enright
 2010/0167825 A1 7/2010 Sternberg et al.
 2010/0267454 A1 10/2010 Navid
 2010/0304865 A1 12/2010 Picunko
 2011/0065510 A1 3/2011 Borrel
 2011/0105231 A1 5/2011 Ambinder et al.
 2011/0256930 A1 10/2011 Jaouen
 2011/0281649 A1 11/2011 Jaouen
 2012/0088582 A1 4/2012 Wu et al.
 2012/0142418 A1 6/2012 Muramatsu
 2012/0142419 A1 6/2012 Muramatsu
 2012/0260220 A1 10/2012 Griffin
 2012/0299244 A1 11/2012 Rice et al.

2012/0322553 A1 12/2012 Burgess et al.
 2012/0322555 A1 12/2012 Burgess et al.
 2013/0029763 A1 1/2013 Zhou
 2013/0147610 A1 6/2013 Grant et al.
 2013/0150155 A1 6/2013 Barney et al.
 2013/0196770 A1 8/2013 Barney et al.
 2014/0274397 A1 9/2014 Sebastian
 2015/0194279 A1 7/2015 Rubio
 2015/0234479 A1 8/2015 Schantz et al.
 2015/0238855 A1 8/2015 Uy et al.
 2015/0255918 A1 11/2015 Riggs et al.
 2016/0082349 A1 3/2016 Burgess et al.
 2016/0193529 A1 7/2016 Burgess et al.
 2016/0346682 A1 12/2016 Burgess et al.
 2017/0001107 A1 1/2017 Burgess et al.
 2017/0001108 A1 1/2017 Burgess et al.
 2017/0087456 A1 3/2017 Burgess et al.
 2017/0151494 A1 6/2017 Ironmonger et al.
 2017/0157509 A1 6/2017 Burgess et al.

FOREIGN PATENT DOCUMENTS

EP	1 208 883	5/2002
EP	1852162	11/2007
EP	2 479 636	7/2012
EP	2 440 438	4/2013
EP	2 698 185	2/2015
GB	2 244 546	12/1991
GB	2 481 633	1/2012
JP	H1020951	1/1998
JP	2001 084077	3/2001
WO	WO 02/34345	5/2002
WO	WO 03/046822	6/2003
WO	WO 2007/040499	4/2007
WO	WO 2008/131249	10/2008
WO	WO 2012/036710	3/2012
WO	WO2014/187923	11/2014
WO	2015004261	1/2015
WO	2015110553	7/2015

OTHER PUBLICATIONS

DualShock 4 Wireless Controller for PlayStation 4: Published Dec. 30, 2016 [online], site visited Sep. 12, 2019. Available from Internet URL: https://www.amazon.com/dp/B01M6CV5IF/ref=cm_sw_r_tw_dp_U_x_yhVEDbWJC2M7 (Year: 2016).*

Evil Shift Pro Gaming PS4 Controller: Published 2018 [online], site visited Sep. 12, 2019. Available from Internet URL: https://www.evilcontrollers.com/ps4-evil-shift?sscid=91k3_9vxz8 (Year: 2018).*

New Scuf Impact & Scuf Infinity Pro Controllers : Published Apr. 5, 2017[online], site visited Sep. 12, 2019. Available from Internet URL: <https://youtu.be/wrwmE3OJ8Uk> (Year: 2017).*

Burns, "Review: Scuf Xbox 360 Controller," Xboxer360.com (2010). "Rapid Fire Mod for Wireless Xbox 360 Controller," forum on xbox-scene.com, (2008).

"Thrustmaster USB game controller roundup," dansdata.com/tmsticks.htm (2002).

Coles, Olin, "Thrustmaster Run-N-Drive PC/PS3 Wireless Gamepad" BenchmarkReviews.com (2009).

Xbox 360 Wireless Controller Tour, published on May 13, 2005 at <http://www.ign.com/articles/2005/05/13/xbox-360-wireless-controller-tour>.

* cited by examiner

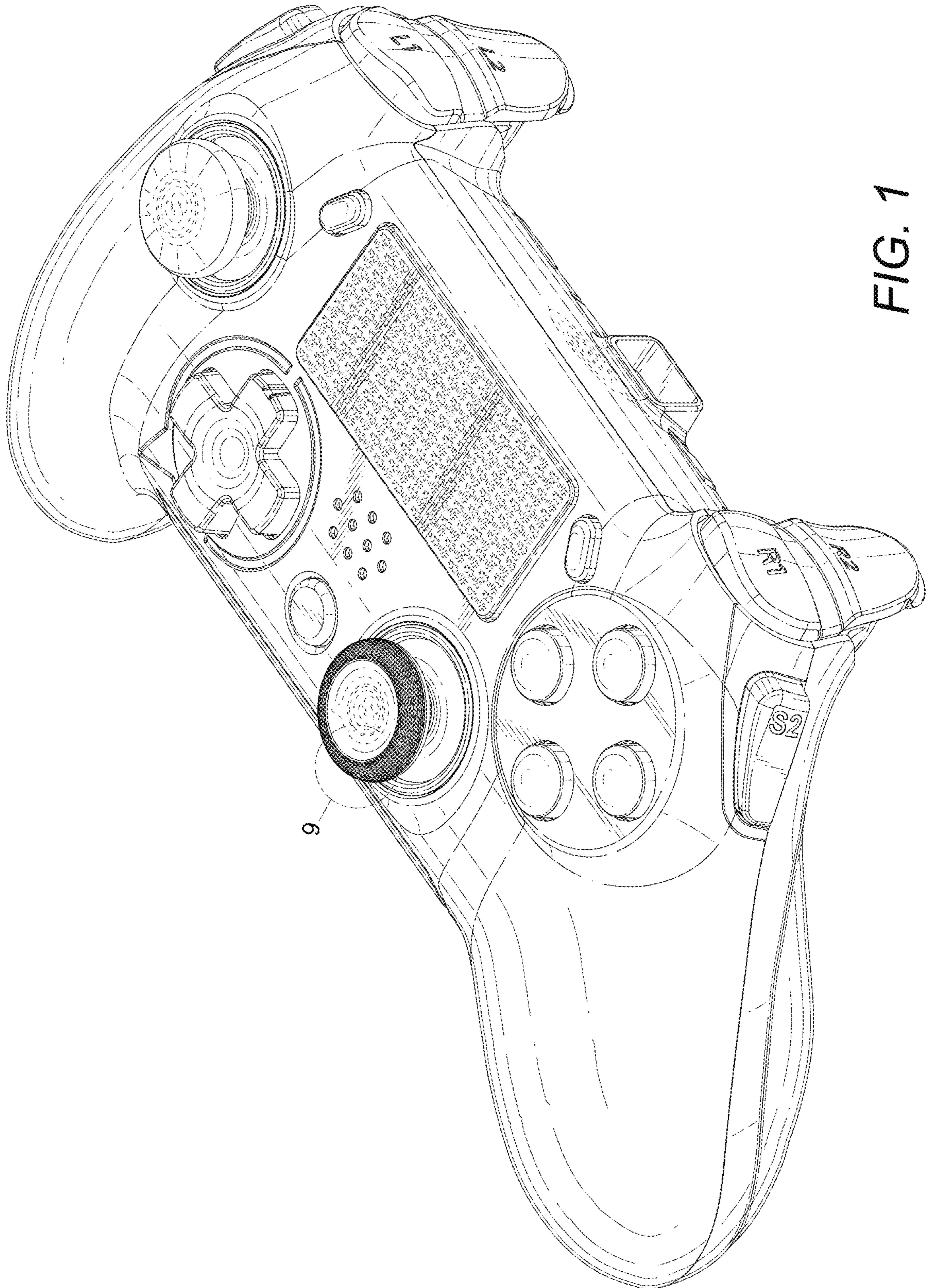


FIG. 1

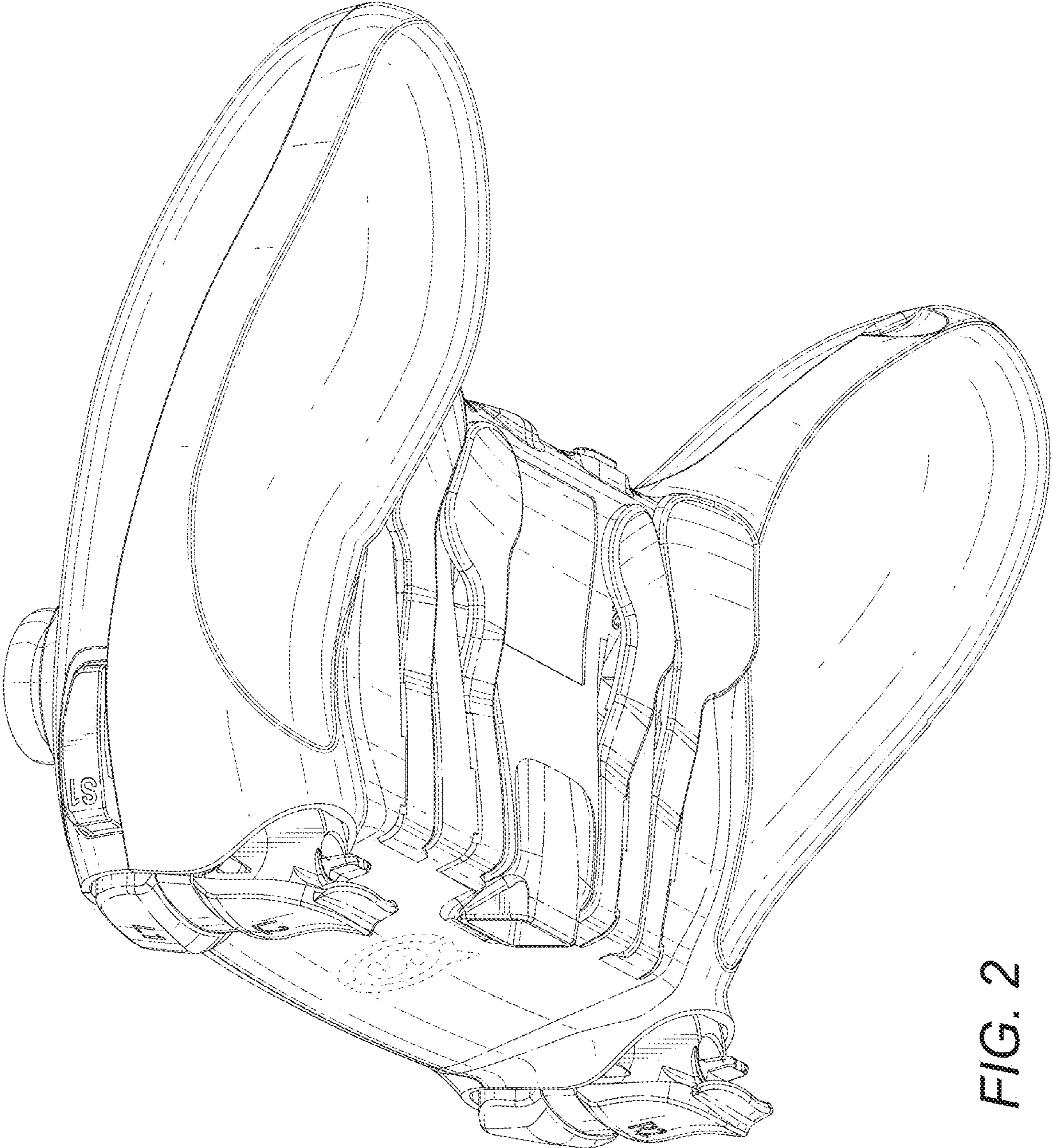


FIG. 2

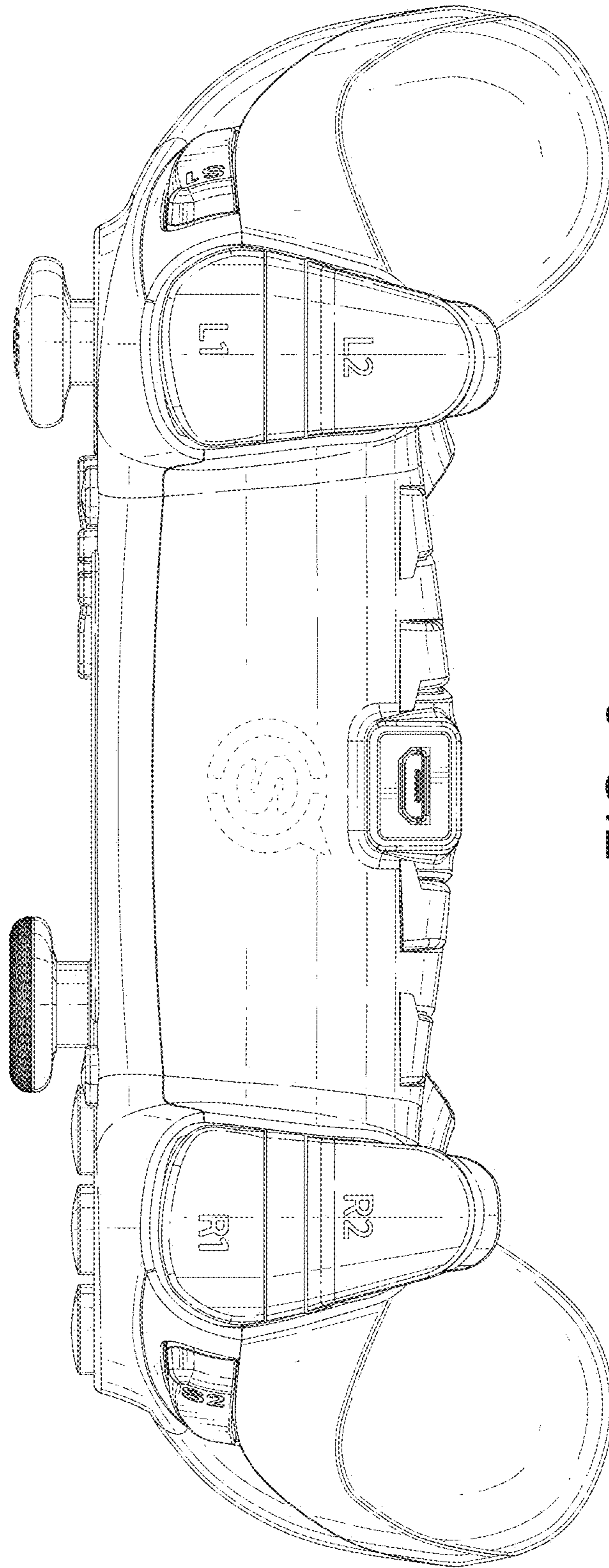


FIG. 3

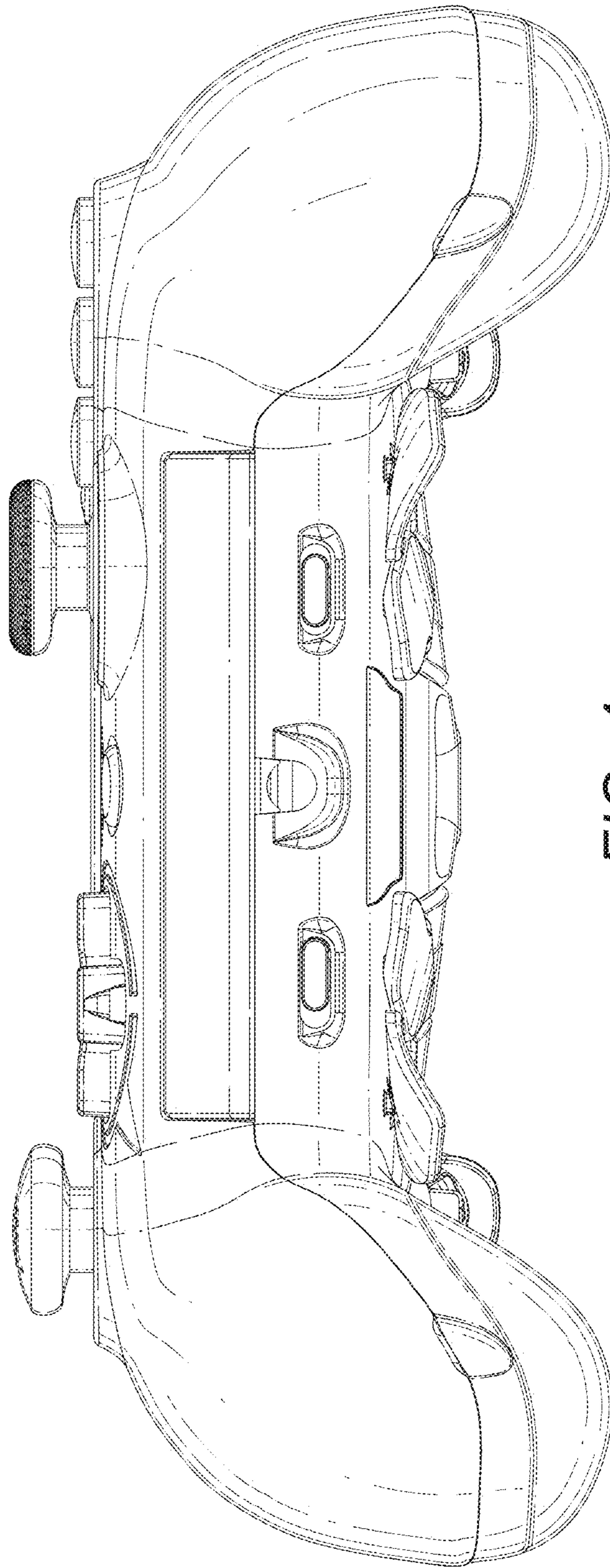


FIG. 4

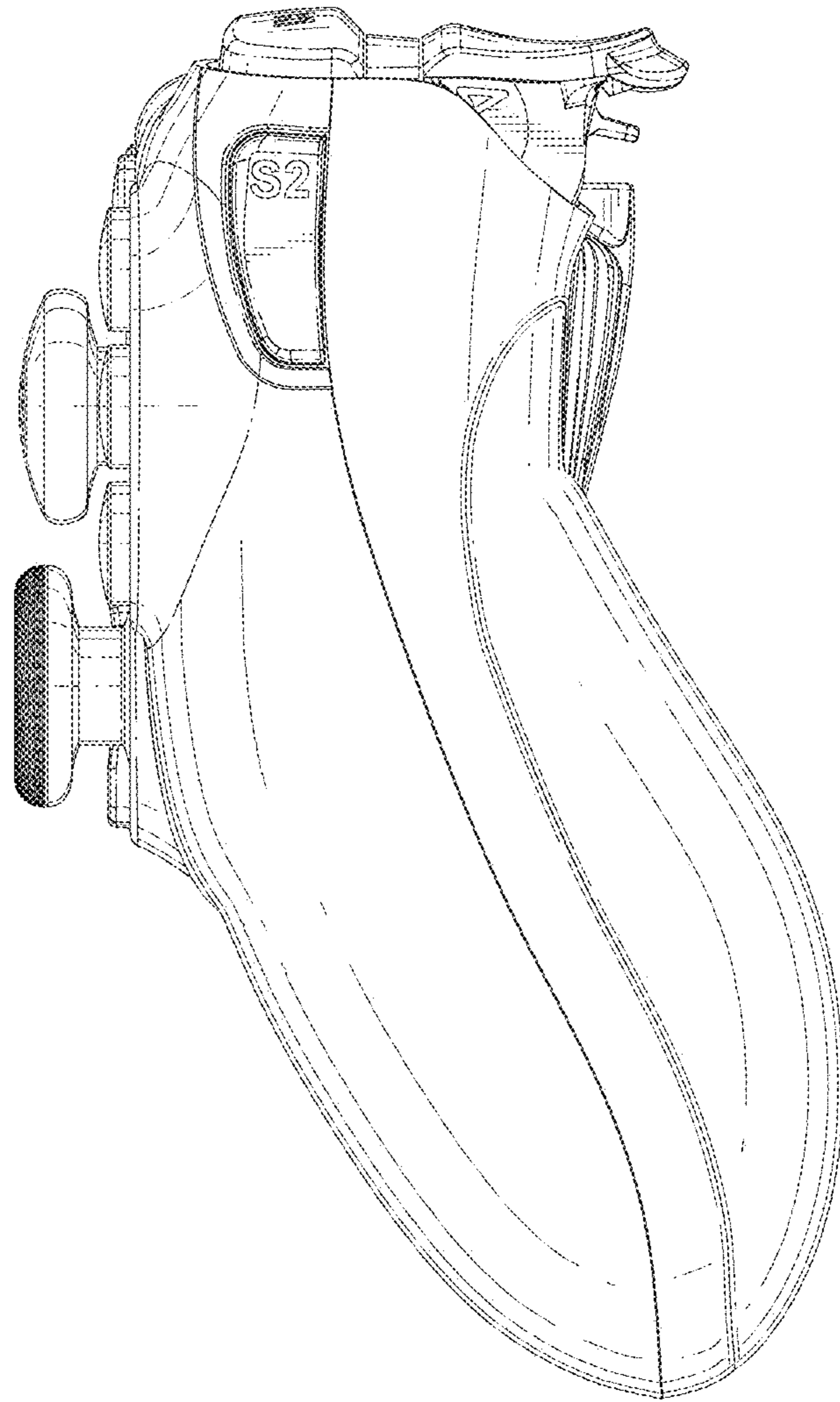


FIG. 5

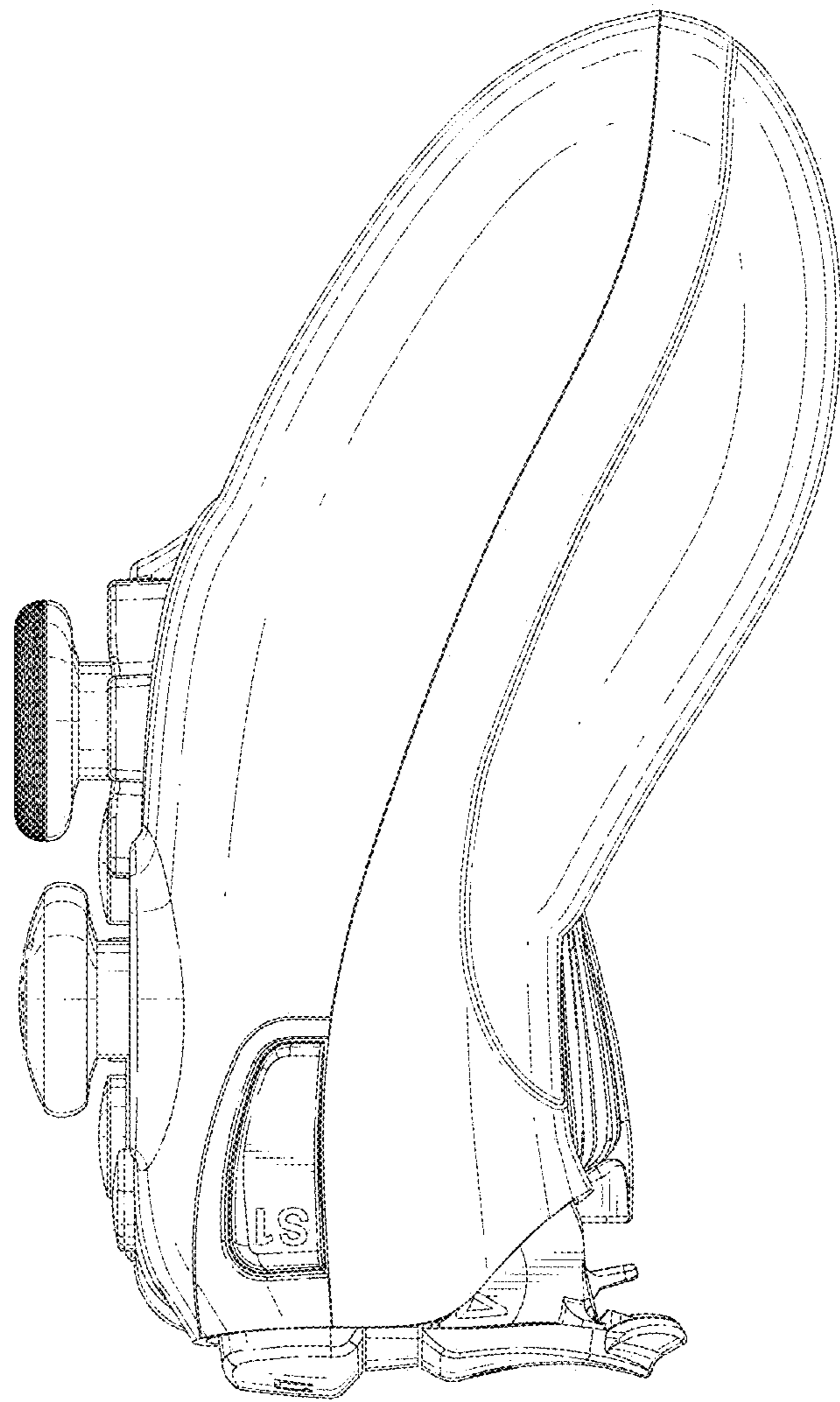


FIG. 6

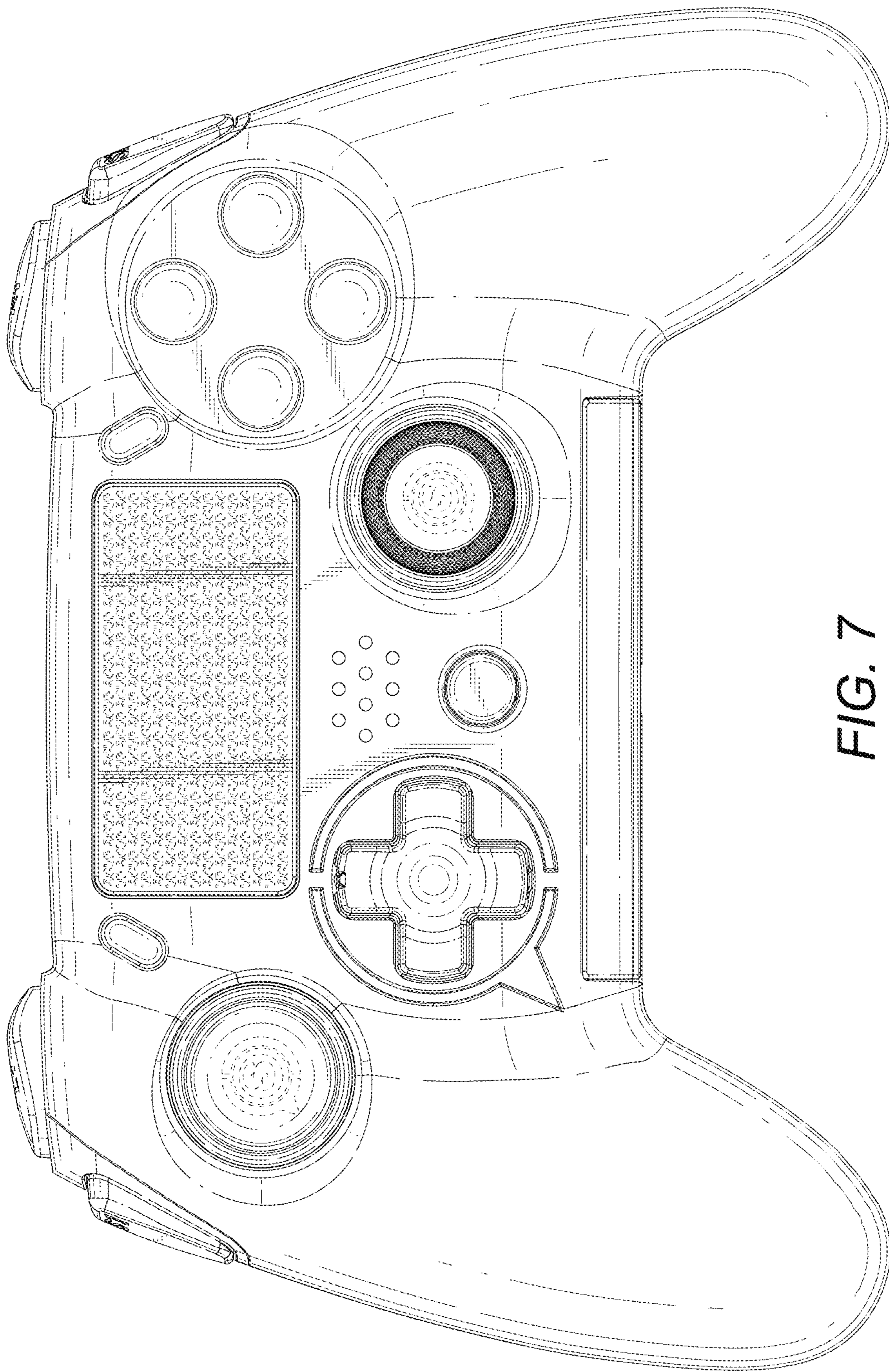


FIG. 7

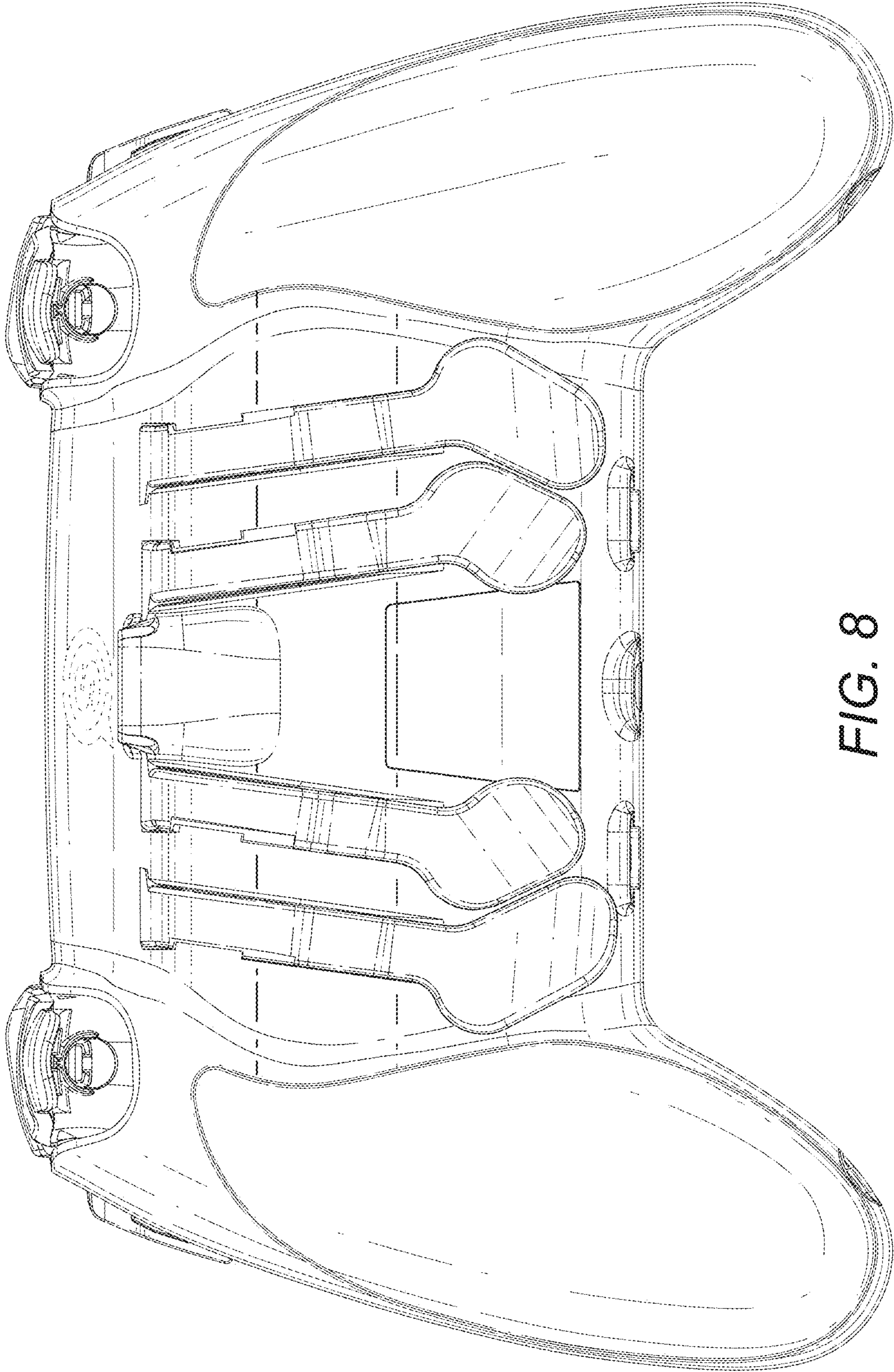


FIG. 8

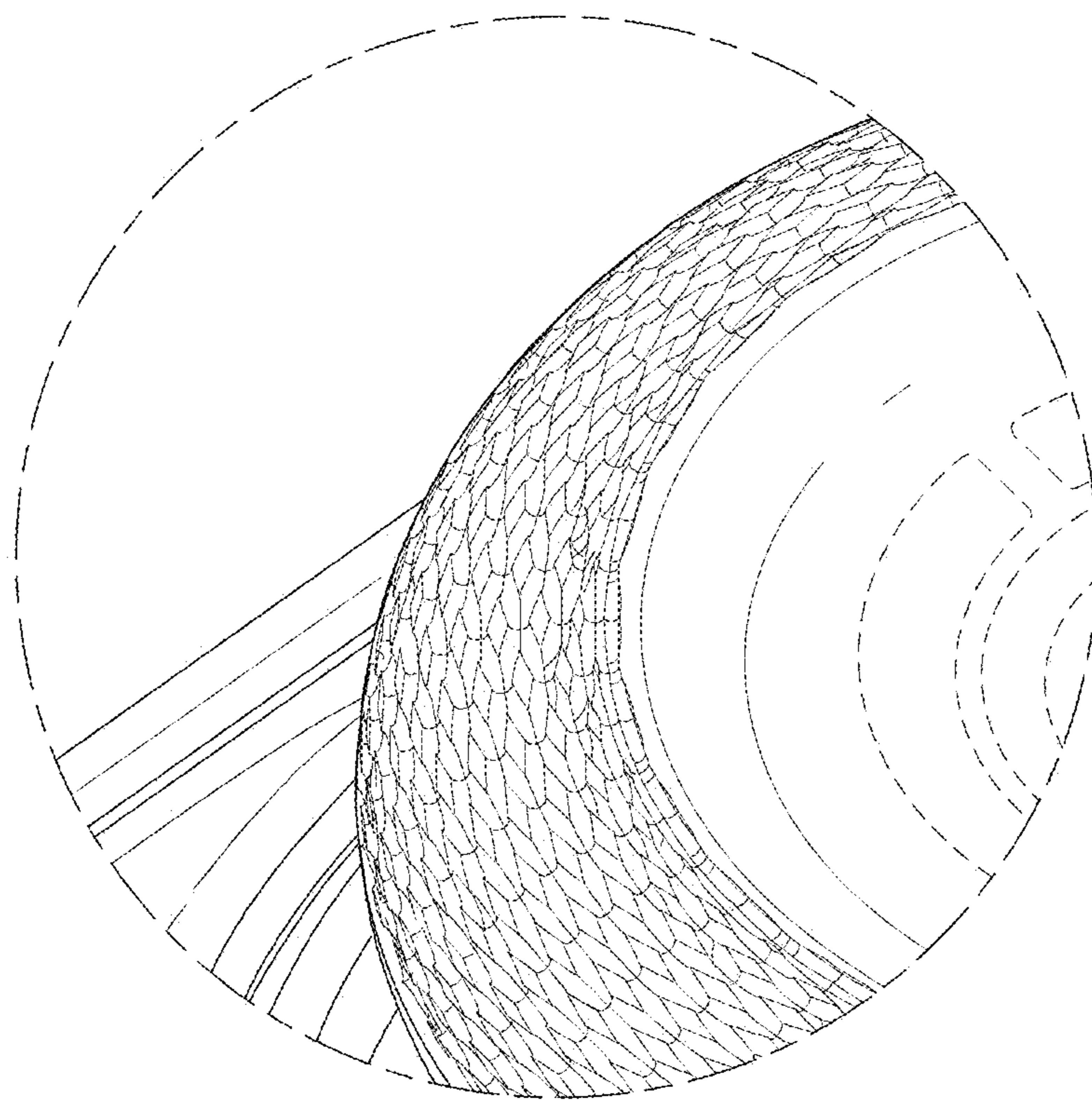


FIG. 9