



US00D889548S

(12) **United States Design Patent**
Miyatake et al.

(10) **Patent No.:** **US D889,548 S**
(45) **Date of Patent:** **** Jul. 7, 2020**

(54) **ACCESSORY OF CONTROLLER FOR COMPUTER**

(71) Applicant: **NINTENDO CO., LTD.**, Kyoto (JP)

(72) Inventors: **Junichiro Miyatake**, Kyoto (JP);
Hitoshi Tsuchiya, Kyoto (JP)

(73) Assignee: **Nintendo Co., Ltd.**, Kyoto (JP)

(**) Term: **15 Years**

(21) Appl. No.: **29/616,620**

(22) Filed: **Sep. 7, 2017**

(30) **Foreign Application Priority Data**

Mar. 10, 2017 (JP) 2017-004849

(51) **LOC (12) Cl.** **21-01**

(52) **U.S. Cl.**
USPC **D21/333**

(58) **Field of Classification Search**

USPC D21/324; D13/103, 107, 108, 112,
D13/118-120, 122; D14/160, 137, 138,
D14/168, 174, 217, 218, 356, 387, 388,
D14/389, 400, 401, 415, 443, 447, 449,
D14/450, 454, 471, 474, 483, 496, 511
CPC A63F 13/24; A63F 13/98; A63F 13/02;
A63F 2300/1043; A63F 13/31; G05G
9/053; G06F 1/1666

See application file for complete search history.

(56) **References Cited**

U.S. PATENT DOCUMENTS

D699,791 S * 2/2014 Sugino D21/333
D705,743 S * 5/2014 Porter D13/174
D709,839 S * 7/2014 Sparks D13/177
D743,411 S * 11/2015 Zenri D14/447
D778,265 S * 2/2017 Parfitt D14/218
D810,431 S * 2/2018 Kim D3/266

D816,000 S * 4/2018 Simoens D12/174
D816,026 S * 4/2018 Georgiades D13/108
D817,640 S * 5/2018 Dang D3/294
D819,642 S * 6/2018 Ehara D14/401
D826,949 S * 8/2018 Ehara D14/454
D841,581 S * 2/2019 Bonahoom D13/108
D842,359 S * 3/2019 Imai D16/237

FOREIGN PATENT DOCUMENTS

JP 2018099430 A * 6/2018
JP 2018099520 A * 6/2018

* cited by examiner

Primary Examiner — Sandra S Snapp

Assistant Examiner — Mehri Bajoul

(74) *Attorney, Agent, or Firm* — Nixon & Vanderhye PC

(57) **CLAIM**

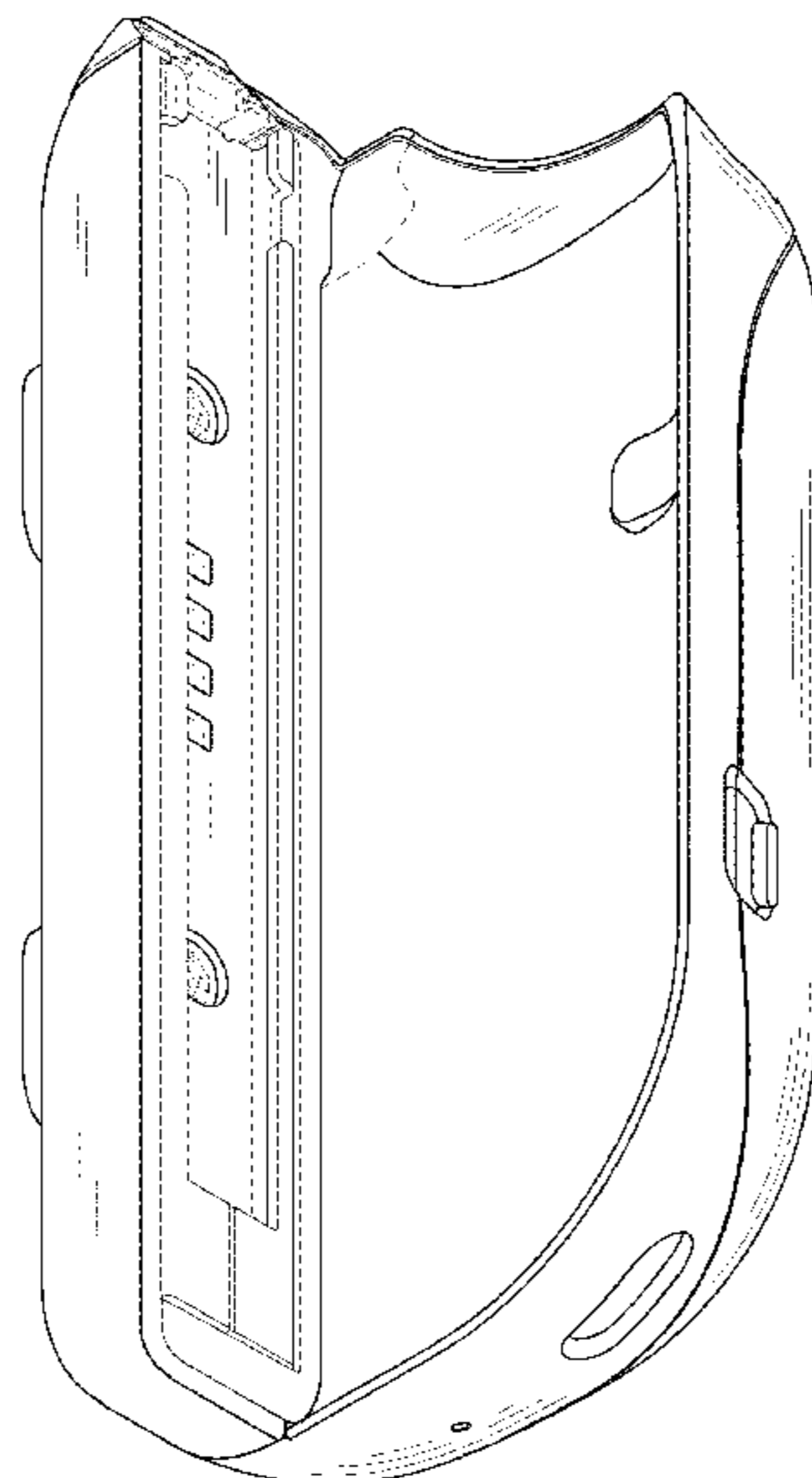
The ornamental design for an accessory of controller for computer, as shown and described.

DESCRIPTION

FIG. 1 is a front side perspective view of an accessory of controller for computer showing our new design;
FIG. 2 is a back side perspective view thereof;
FIG. 3 is a front view thereof;
FIG. 4 is a top view thereof;
FIG. 5 is a right view thereof;
FIG. 6 is a left view thereof;
FIG. 7 is a back view thereof;
FIG. 8 is a bottom view thereof; and,
FIG. 9 is a reference view putting on computer controller thereof.

The evenly dashed lines depict portions of the accessory of controller for computer and form no part of the claimed design. The evenly dashed lines in FIG. 9 depict environmental structure that forms no part of the claimed design. The dot-dash lines in FIGS. 1, 4 and 5 depict boundary lines and form no part of the claimed design.

1 Claim, 9 Drawing Sheets



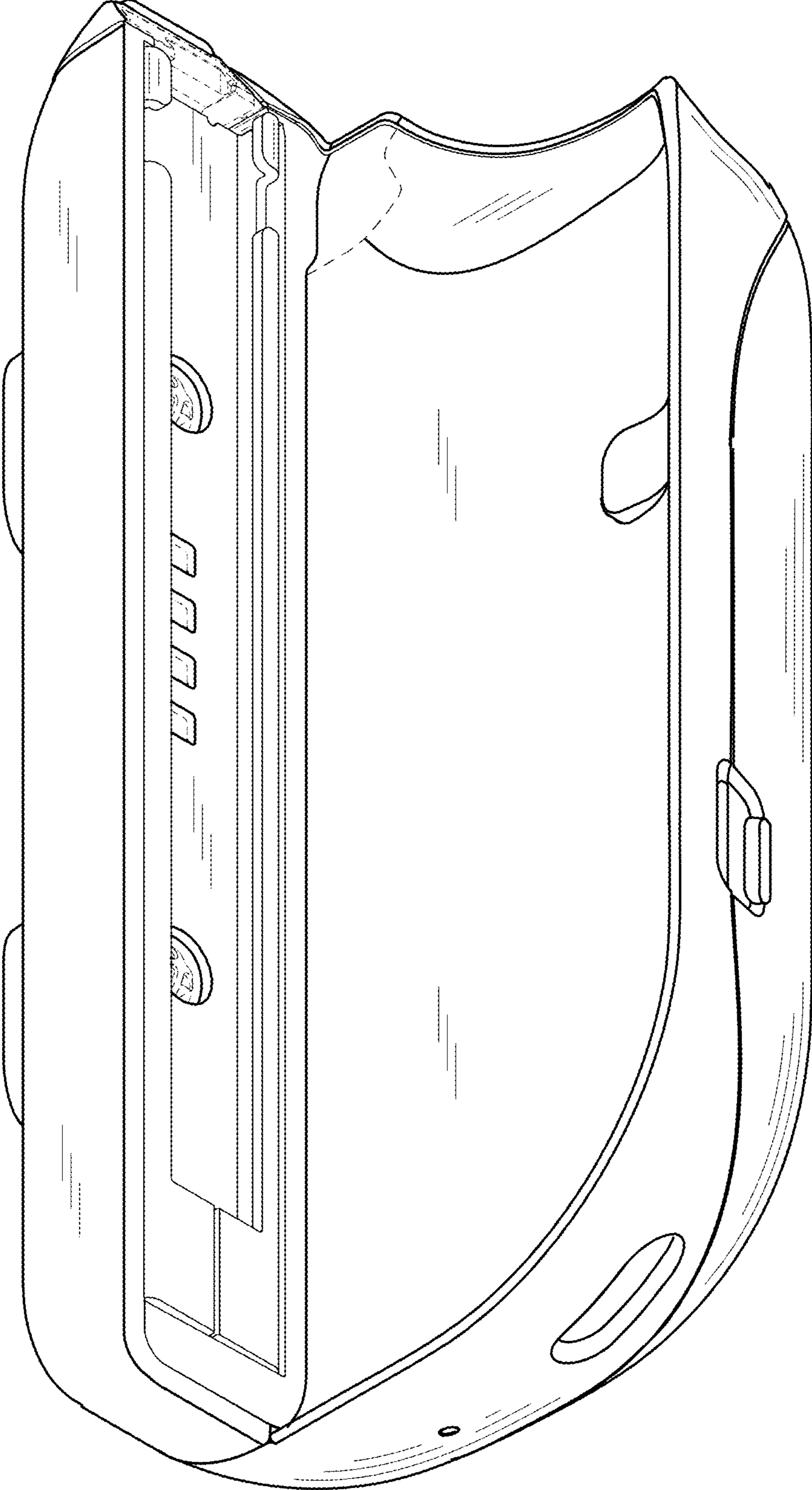


FIG. 1

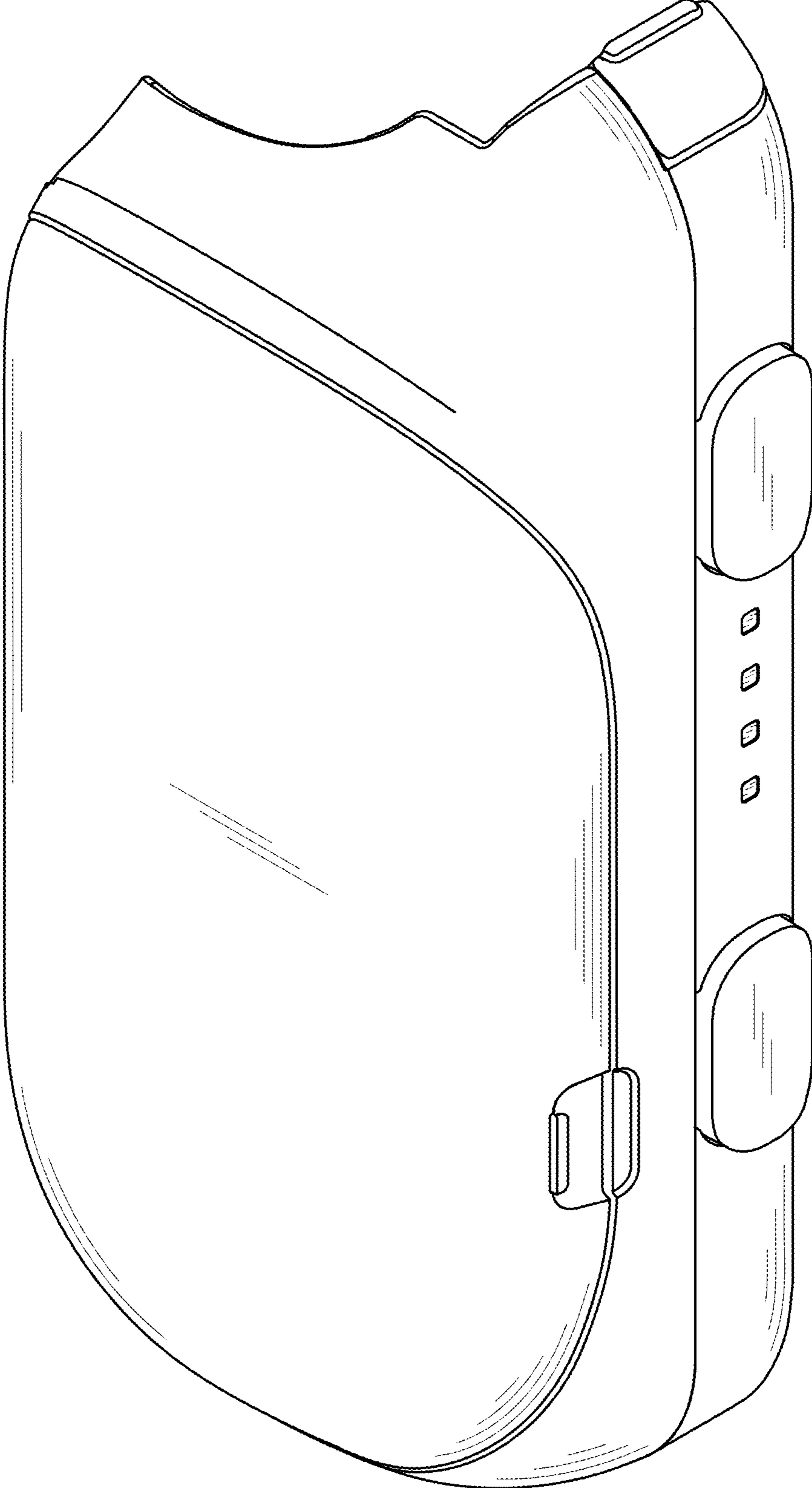


FIG. 2

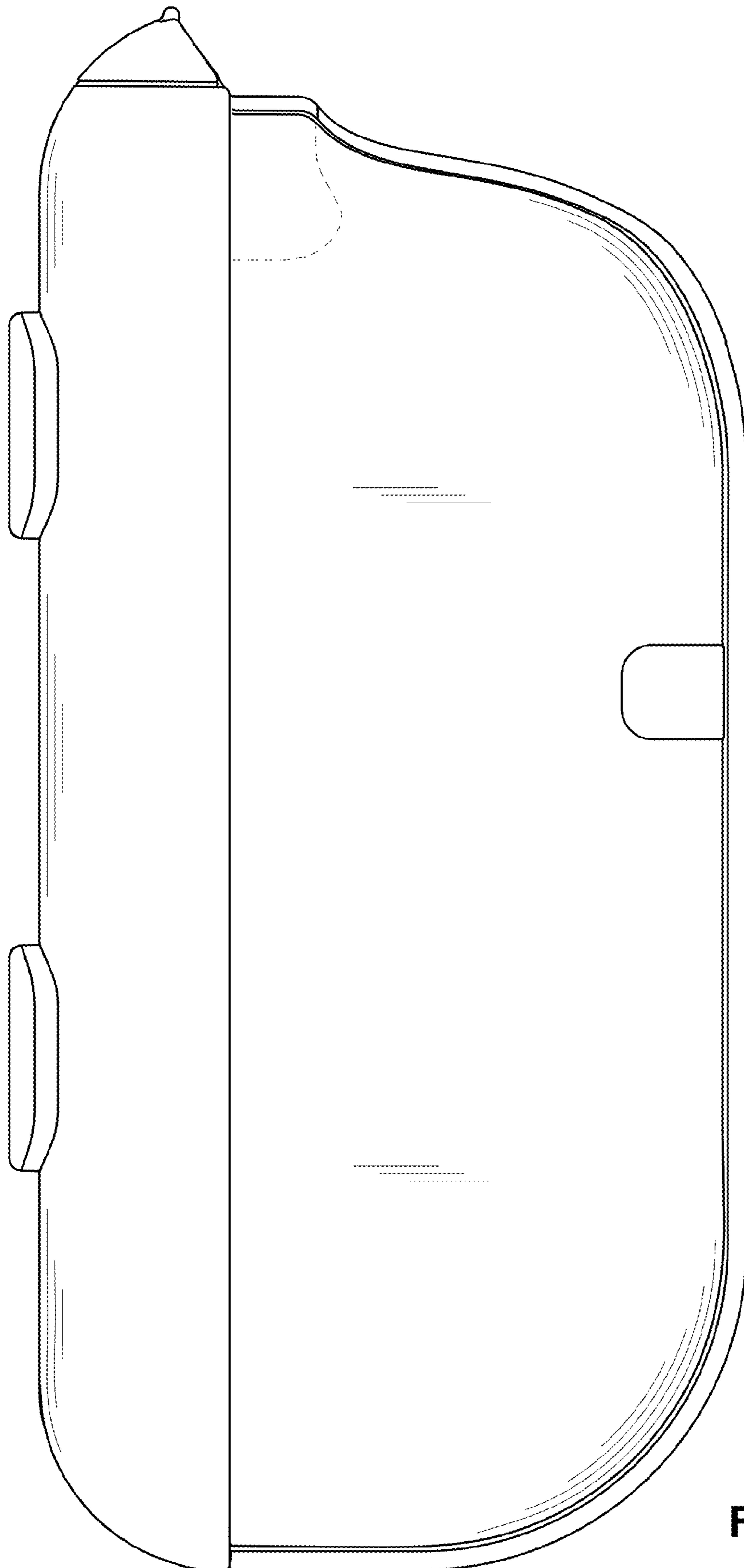


FIG. 3

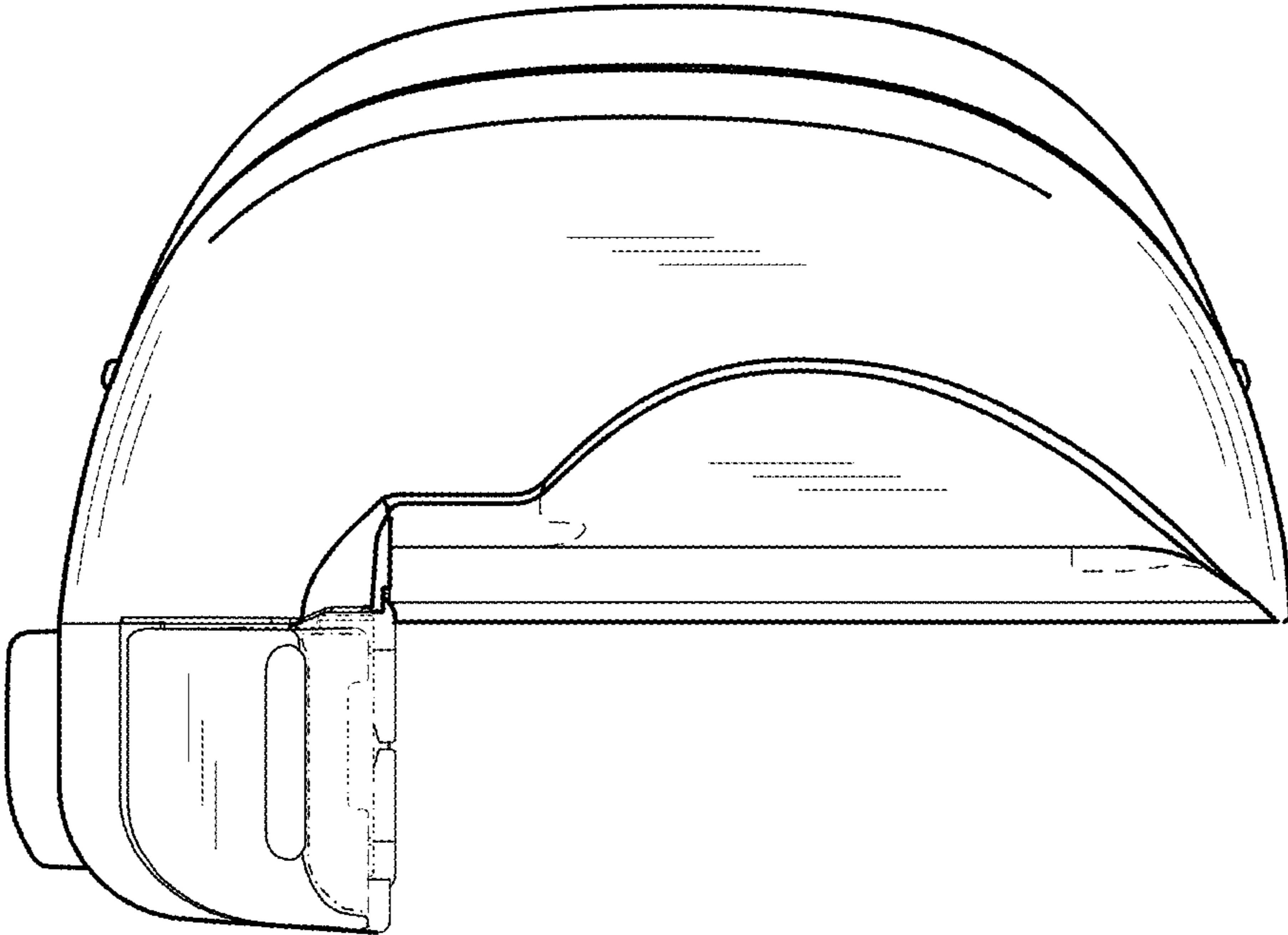


FIG. 4

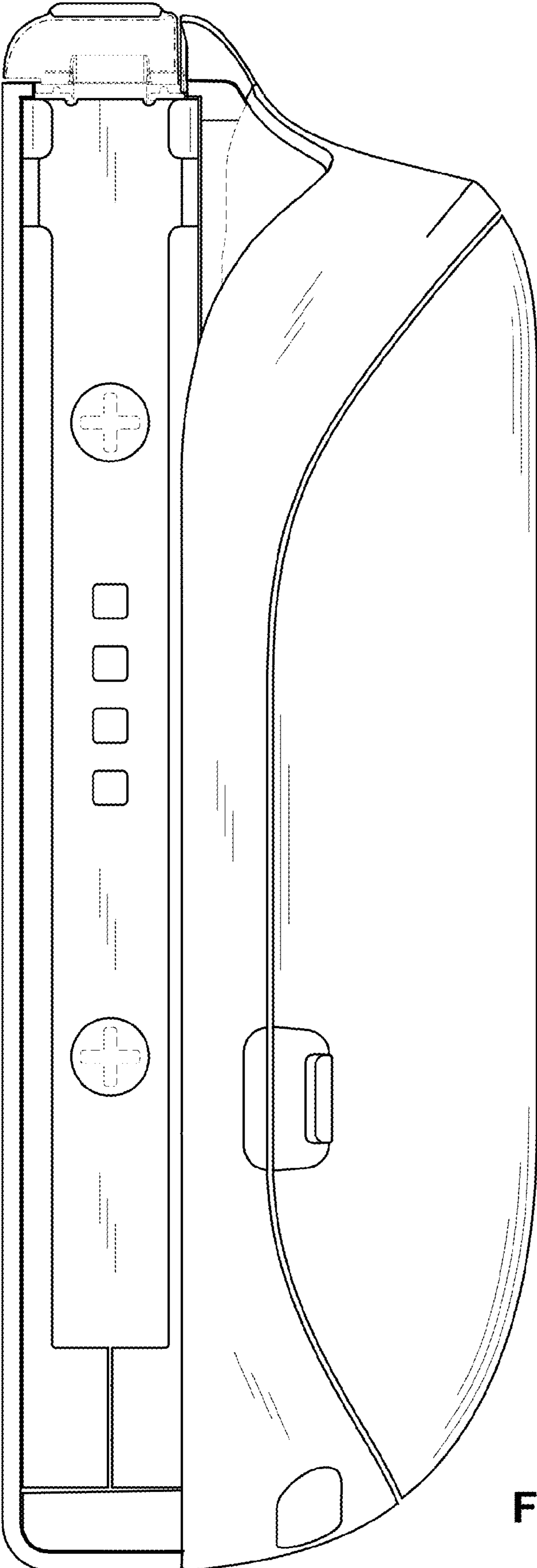


FIG. 5

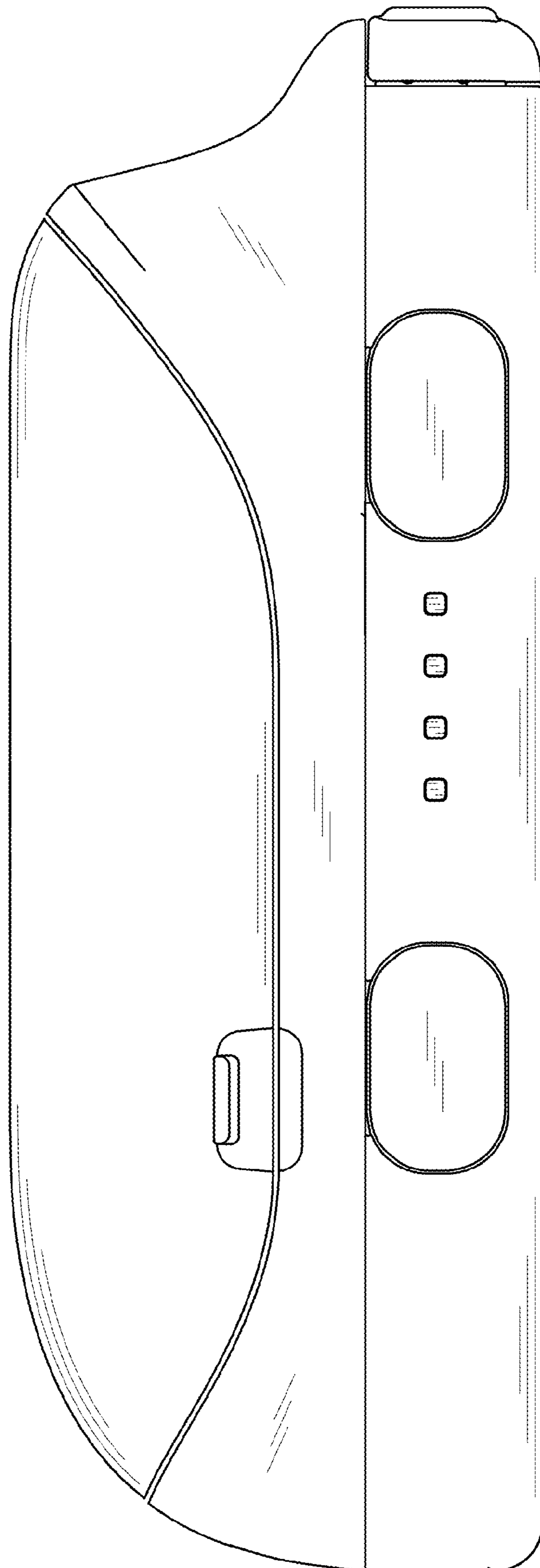


FIG. 6

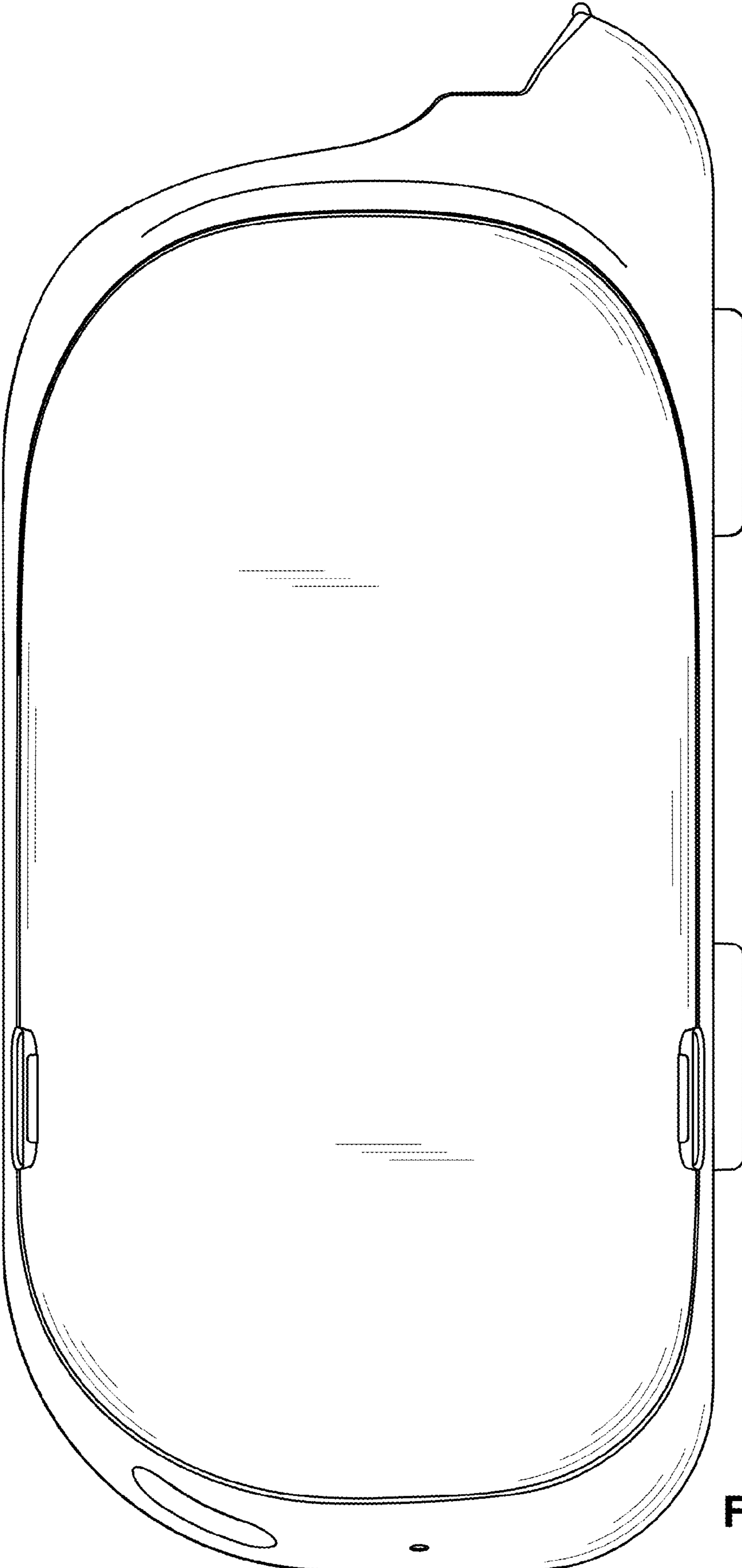


FIG. 7

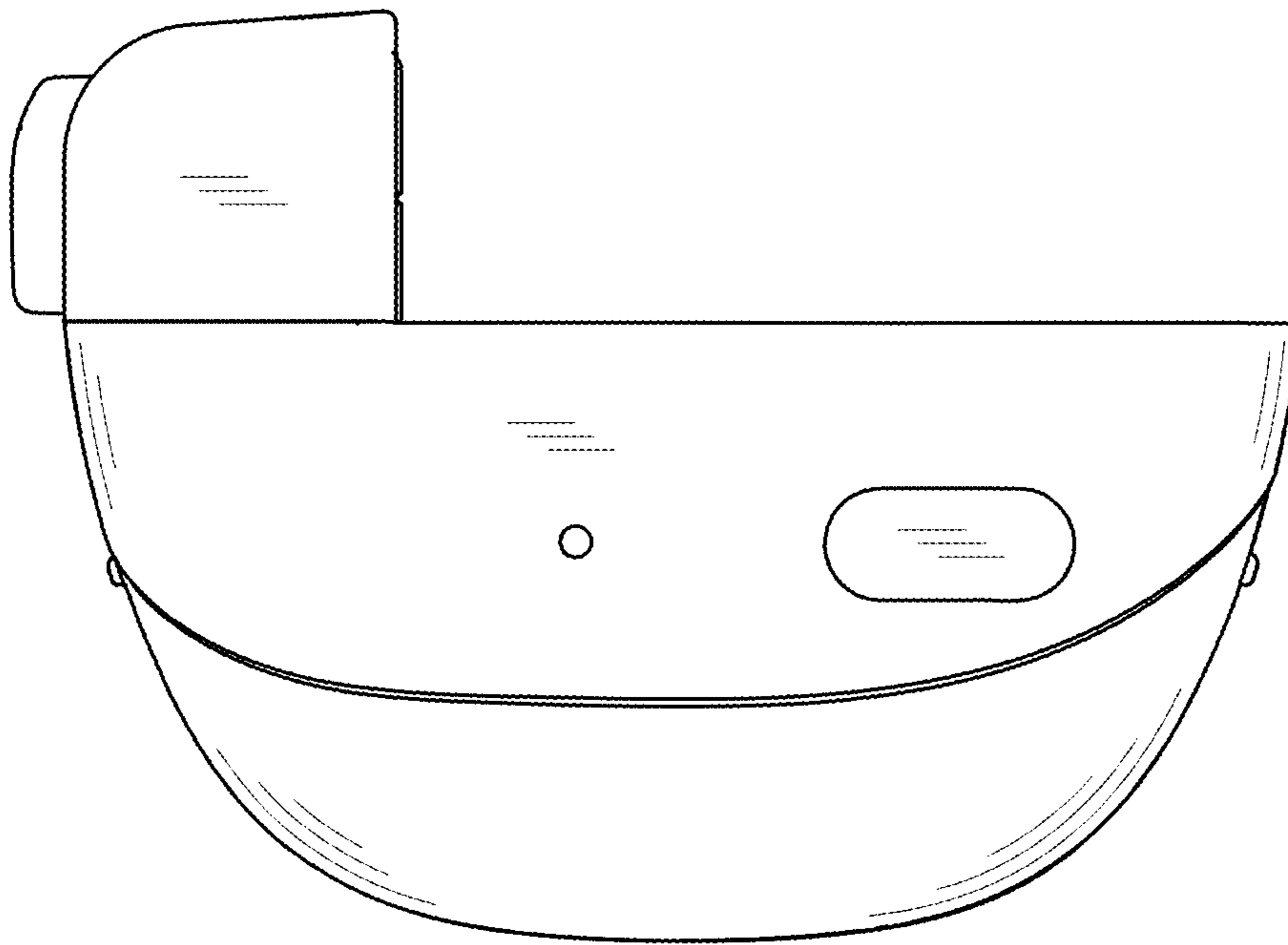


FIG. 8

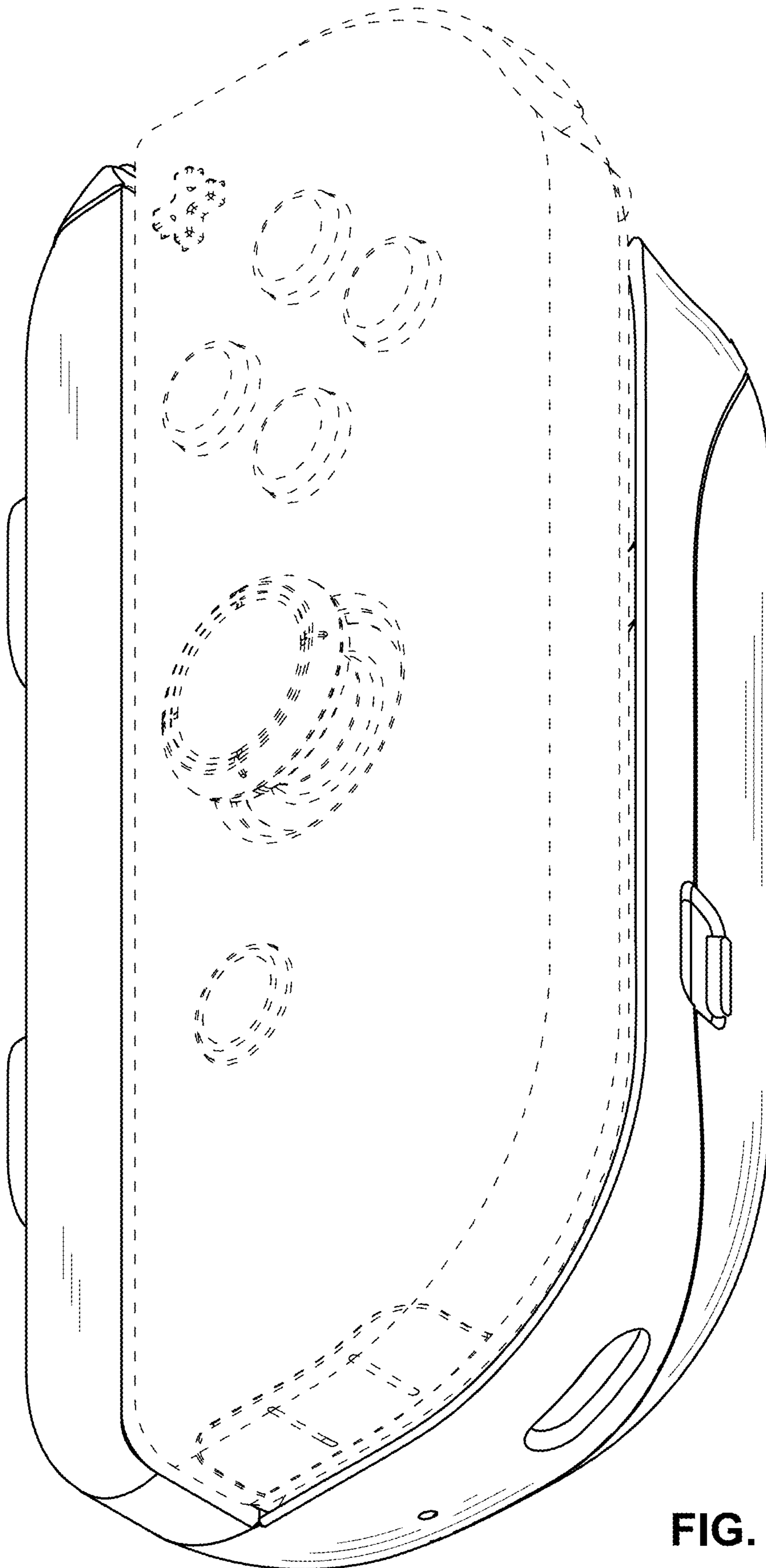


FIG. 9