



US00D889547S

(12) **United States Design Patent**
Jones et al.

(10) **Patent No.:** **US D889,547 S**
(45) **Date of Patent:** **** Jul. 7, 2020**

(54) **ELECTRONIC GAMING STATION**

(71) Applicant: **IGT, Las Vegas, NV (US)**

(72) Inventors: **Scott Jones, Reno, NV (US); Charles Johnson, Reno, NV (US); Julia Angst, Reno, NV (US); Stephanie Humbbeutel, Reno, NV (US); Jean Pierre Legras, Carson City, NV (US); Tai Rosander, Reno, NV (US); Stewart Thoeni, Reno, NV (US)**

(73) Assignee: **IGT, Las Vegas, NV (US)**

(**) Term: **15 Years**

(21) Appl. No.: **29/670,102**

(22) Filed: **Nov. 13, 2018**

D260,823 S *	9/1981	Stulik, Jr.	D6/335
D376,391 S	12/1996	Okumura	
D380,779 S *	7/1997	Shinzato	
D396,898 S	8/1998	Tsuda	
D443,313 S	6/2001	Brettschneider	
6,612,929 B2 *	9/2003	Fujimoto	A63F 13/06 463/32
D508,961 S	8/2005	Gatto	
D523,092 S	6/2006	Karlsson	
D541,875 S *	5/2007	Wada	D21/326
D545,912 S *	7/2007	Nunokawa	D21/326
D554,708 S *	11/2007	Gutknecht	D21/370
D560,724 S	1/2008	Johnson	
D564,600 S *	3/2008	Greenberg	D21/370
D591,520 S *	5/2009	Orson	D6/356
D592,126 S *	5/2009	da Silveira	D12/345
D598,665 S *	8/2009	Cloet	D6/356
D604,774 S	11/2009	De Viveiros Ortiz	
D613,802 S	4/2010	Meyers	
D615,598 S	5/2010	McComb	
D619,177 S	7/2010	Lee	

(Continued)

Primary Examiner — Sandra S Snapp

Assistant Examiner — Mehri F Bajoul

(74) *Attorney, Agent, or Firm* — Sage Patent Group

Related U.S. Application Data

(62) Division of application No. 29/605,800, filed on May 30, 2017.

(51) **LOC (12) Cl.** **21-01**

(52) **U.S. Cl.**
USPC **D21/326; D21/325**

(58) **Field of Classification Search**
USPC D21/323–337, 369, 370; D14/218, 356,
D14/388, 400, 401, 410, 416; D6/356,
D6/640–644; D12/345
CPC G07F 17/00; G07F 17/32; G07F 17/3281;
G07F 17/326; G07F 17/3274; G07F
17/3276; G07F 17/3283

See application file for complete search history.

(56) **References Cited**

U.S. PATENT DOCUMENTS

D188,376 S * 7/1960 Hotkins D21/326
D250,230 S * 11/1978 Kotula D6/341

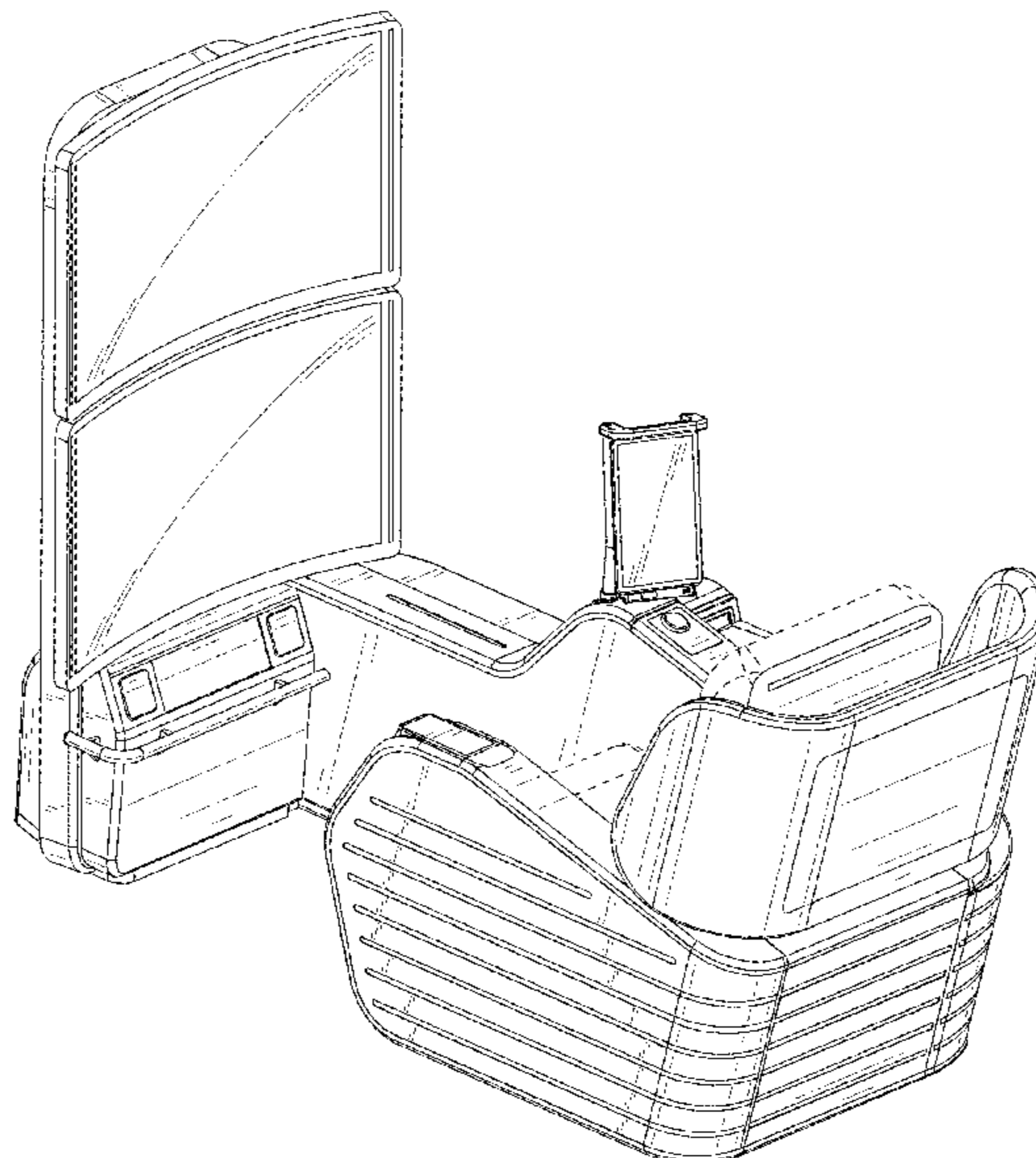
(57) **CLAIM**

The ornamental design for an electronic gaming station, as shown and described.

DESCRIPTION

FIG. 1 is a top rear perspective view of an electronic gaming station showing our new design;
FIG. 2 is a front view thereof;
FIG. 3 is a rear view thereof;
FIG. 4 is a left view thereof;
FIG. 5 is a right view thereof; and,
FIG. 6 is a top view thereof.
The broken lines shown in the drawings depict portions of the electronic gaming station that form no part of the claimed design.

1 Claim, 6 Drawing Sheets



(56)

References Cited

U.S. PATENT DOCUMENTS

D622,323 S *	8/2010	De Viveiros Ortiz	D21/325	D790,239 S *	6/2017	Goode	D6/356
D641,048 S	7/2011	Nunokawa			D791,512 S *	7/2017	Bouroullec	D6/336
D650,446 S *	12/2011	Vonsik	D21/327	D798,622 S *	10/2017	Grader	D6/356
D658,721 S *	5/2012	Yang	D21/326	D800,464 S *	10/2017	Larabie	D6/356
D684,779 S *	6/2013	Scott	D6/336	D802,675 S	11/2017	Steelman		
D685,435 S *	7/2013	Hohman	D21/370	D802,676 S	11/2017	Steelman		
D686,423 S *	7/2013	Salzberger	D6/356	D818,048 S	5/2018	Calhoun		
D695,033 S *	12/2013	Salzberger	D6/356	D820,915 S	6/2018	Lee		
D697,558 S *	1/2014	Myers	D21/325	D830,076 S *	10/2018	Amiard	D6/356
D702,623 S *	4/2014	Salzberger	D12/345	D832,356 S *	10/2018	Castro	D21/369
D706,741 S	6/2014	Myers			D833,534 S *	11/2018	Lee	D21/369
D713,160 S *	9/2014	Roberts	D6/356	2007/0238513 A1 *	10/2007	Osawa	G07F 17/32 463/20
D721,766 S	1/2015	Ferazoli			2009/0181752 A1 *	7/2009	Nagano	G07F 17/32 463/20
D740,887 S	10/2015	Randazzo			2010/0252680 A1 *	10/2010	Porter	B60N 2/01 244/118.6
D740,888 S *	10/2015	DePalma	D21/370	2018/0040203 A1 *	2/2018	Winters	G07F 17/3209
D742,975 S *	11/2015	Myers	D21/370	2018/0082545 A1	3/2018	Winters		
9,558,610 B2 *	1/2017	Keilwert	G07F 17/3244					

* cited by examiner

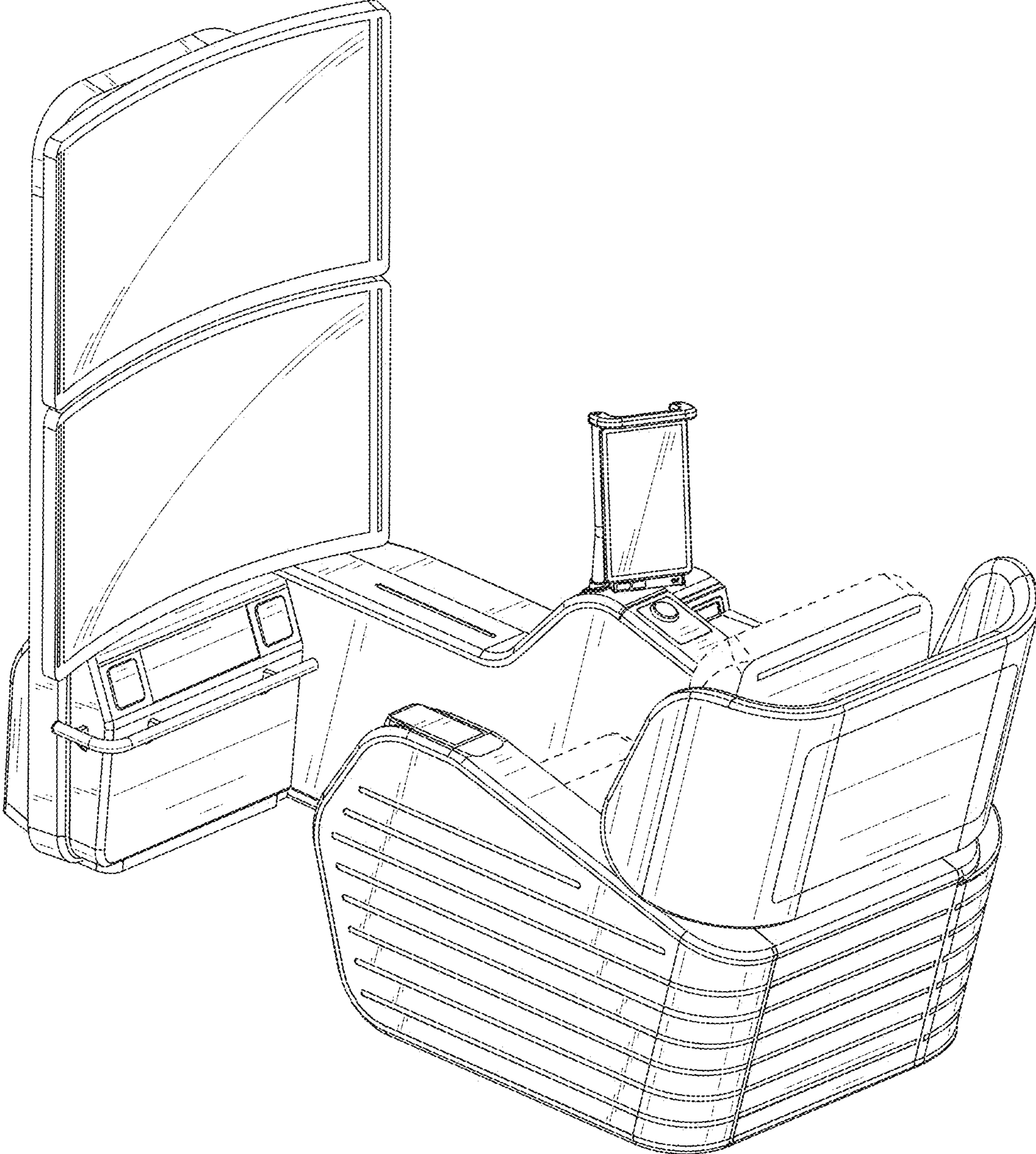


FIG. 1

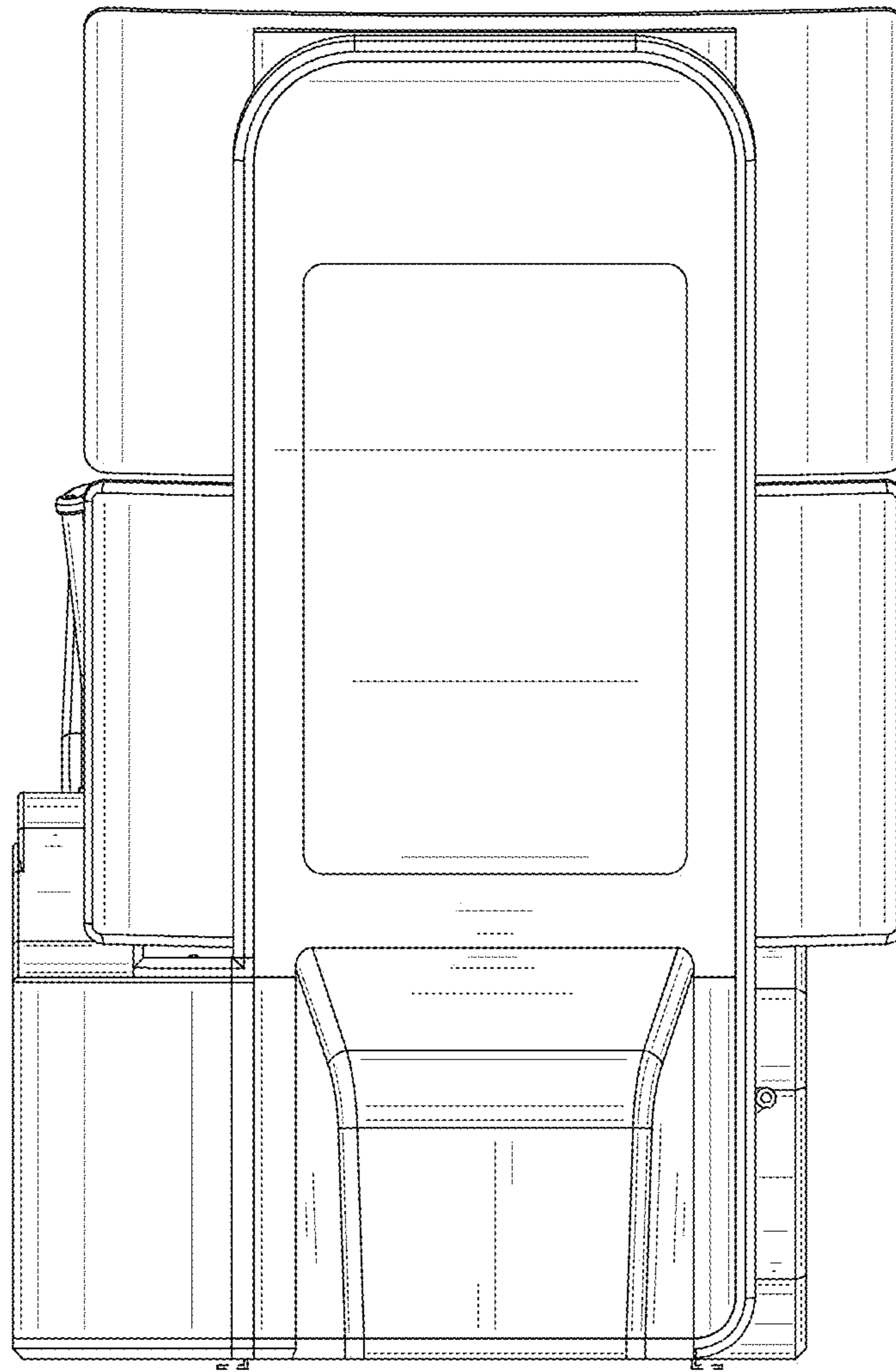


FIG. 2

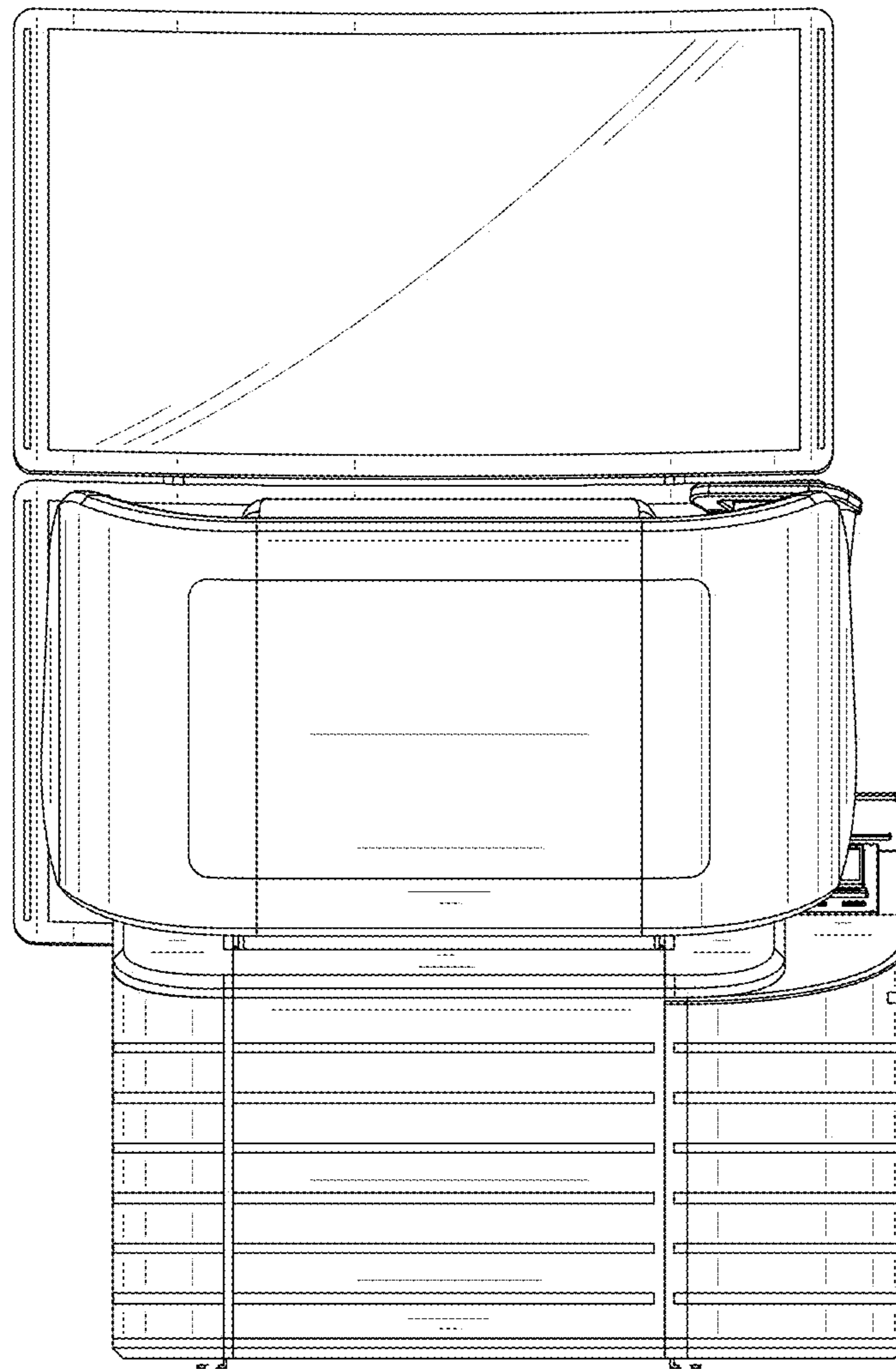


FIG. 3

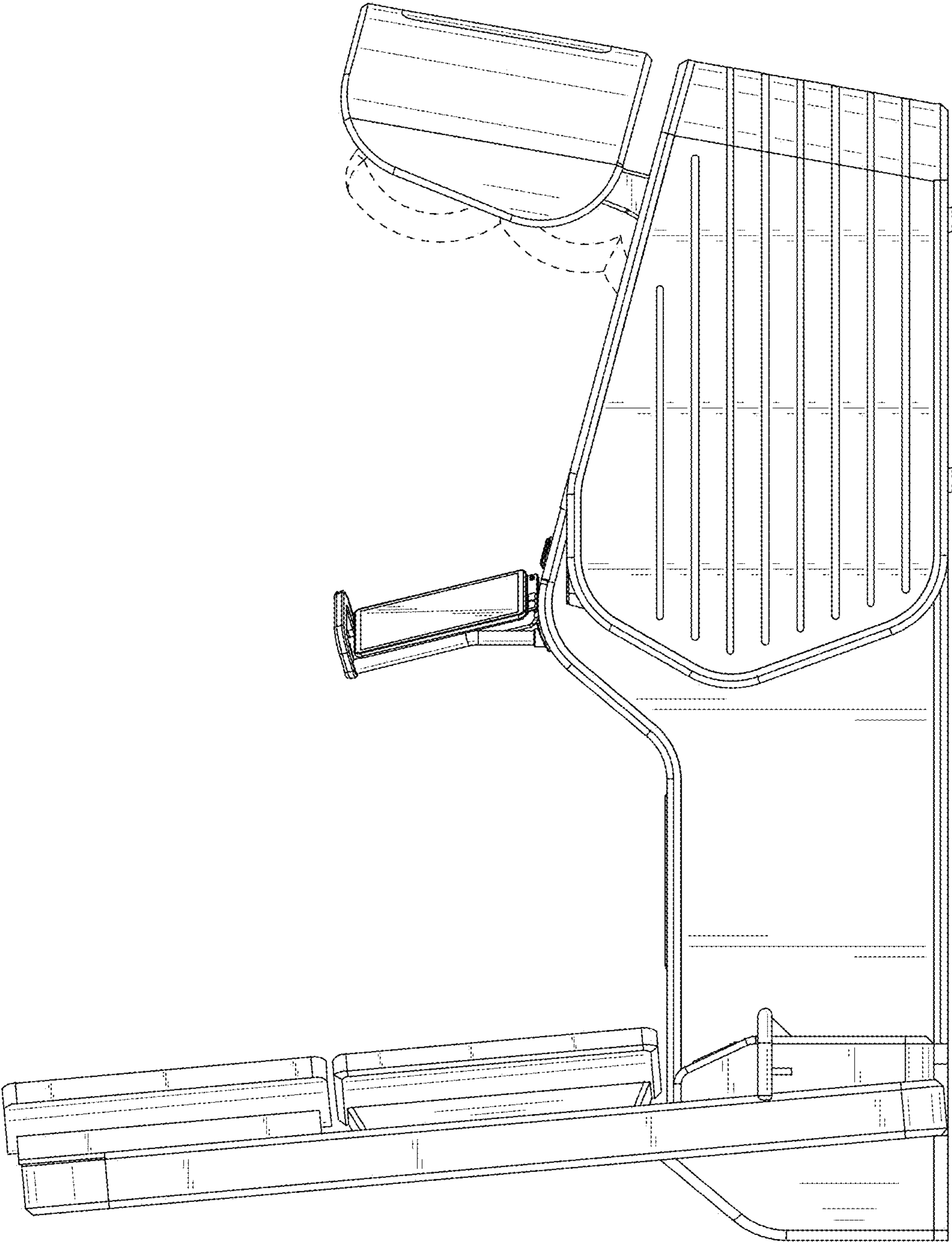


FIG. 4

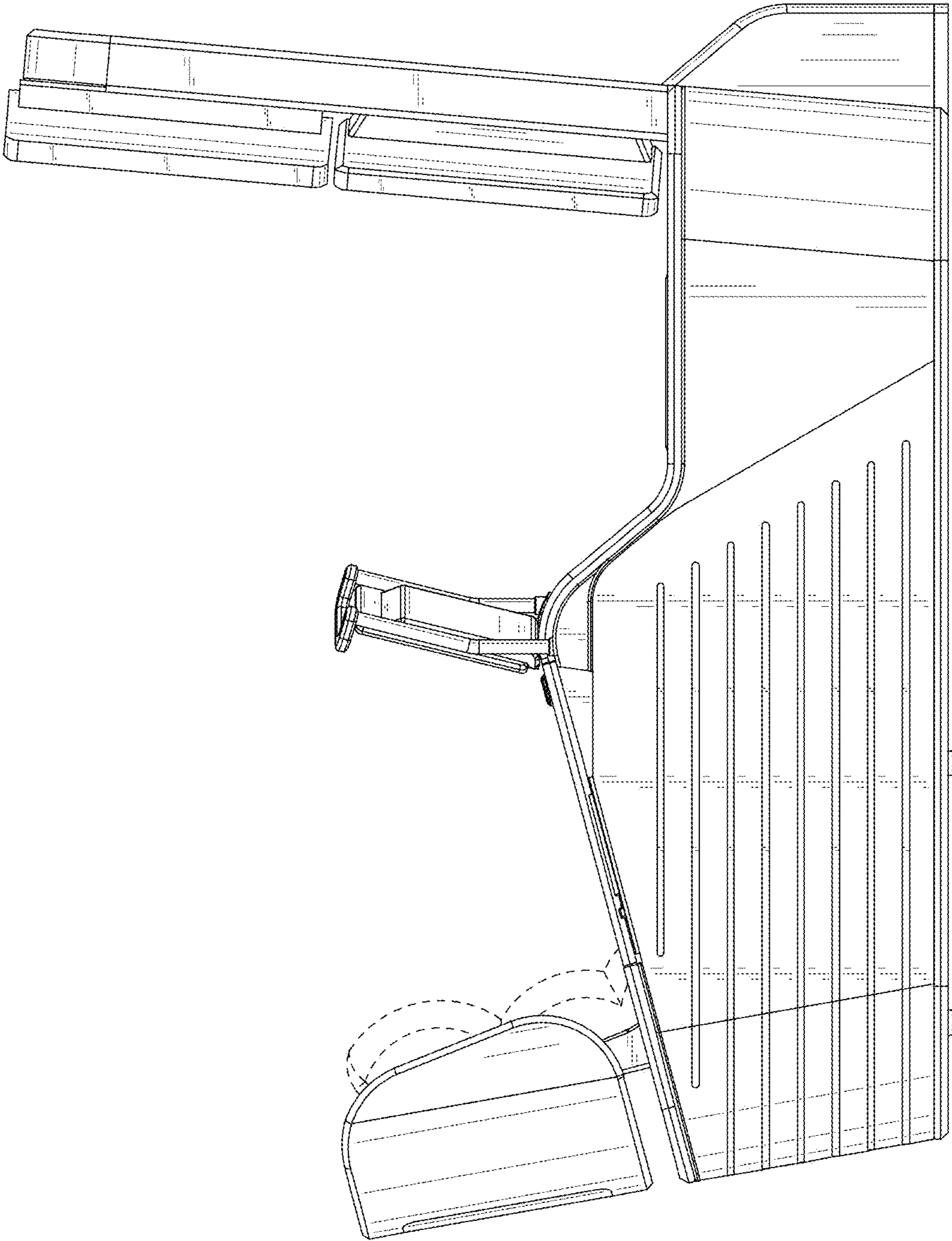


FIG. 5

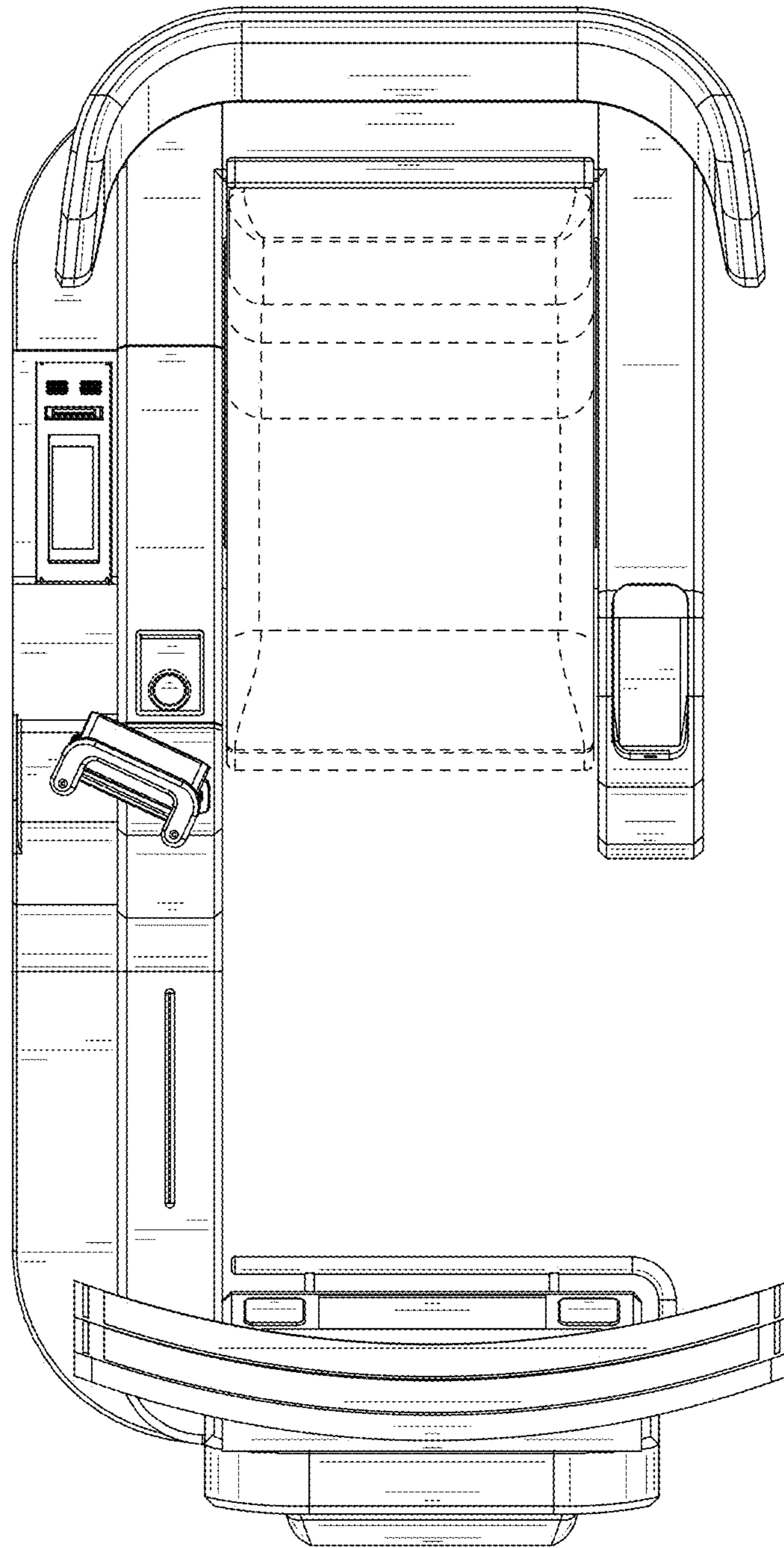


FIG. 6