



US00D889537S

(12) **United States Design Patent**
Wang et al.

(10) **Patent No.:** **US D889,537 S**
(45) **Date of Patent:** **** Jul. 7, 2020**

(54) **PRINTER**

(71) Applicant: **Beijing Xiaomi Mobile Software Co., Ltd., Beijing (CN)**

(72) Inventors: **Tao Wang, Beijing (CN); Ningning Li, Beijing (CN)**

(73) Assignee: **Beijing Xiaomi Mobile Software Co., Ltd., Beijing (CN)**

(**) Term: **15 Years**

(21) Appl. No.: **35/507,053**

(22) Filed: **Jan. 11, 2019**

(80) **Hague Agreement Data**

Int. Filing Date: **Jan. 11, 2019**
Int. Reg. No.: **DM/201076**
Int. Reg. Date: **Jan. 11, 2019**
Int. Reg. Pub. Date: **Jul. 12, 2019**

(30) **Foreign Application Priority Data**

Jul. 18, 2018 (CN) 2018 3 0389331

(51) **LOC (12) Cl.** **18-02**

(52) **U.S. Cl.**
USPC **D18/55**

(58) **Field of Classification Search**

USPC D18/50, 53, 54, 55; D14/420, 424, 425
CPC G06K 15/12; G06K 15/14; B41J 11/00;
G03G 15/00; G03G 15/0142; H04N
1/00129; H04N 1/00204; H04N 1/00278
See application file for complete search history.

(56) **References Cited**

U.S. PATENT DOCUMENTS

D290,967 S * 7/1987 Mochizuki D18/54
D519,151 S * 4/2006 Tashiro D18/54
D667,050 S * 9/2012 Takeuchi D18/50

D667,051 S * 9/2012 Sato D18/50
D675,674 S * 2/2013 Sato D18/50
D678,402 S * 3/2013 Sato D18/50
8,908,233 B2 * 12/2014 Ohama B41J 29/13
271/10.01

(Continued)

OTHER PUBLICATIONS

Xiaomi Mijia Mi Inkjet Printer 1.2GHz Quad Core 4800 × 1200dpi—
White. Undated; 12 pages. Found online Apr. 23, 2020 at: https://www.gearbest.com/printers/pp_009912189701.html (Year: 2020).*

(Continued)

Primary Examiner — Robert M. Spear

(74) *Attorney, Agent, or Firm* — Syncoda LLC; Feng Ma

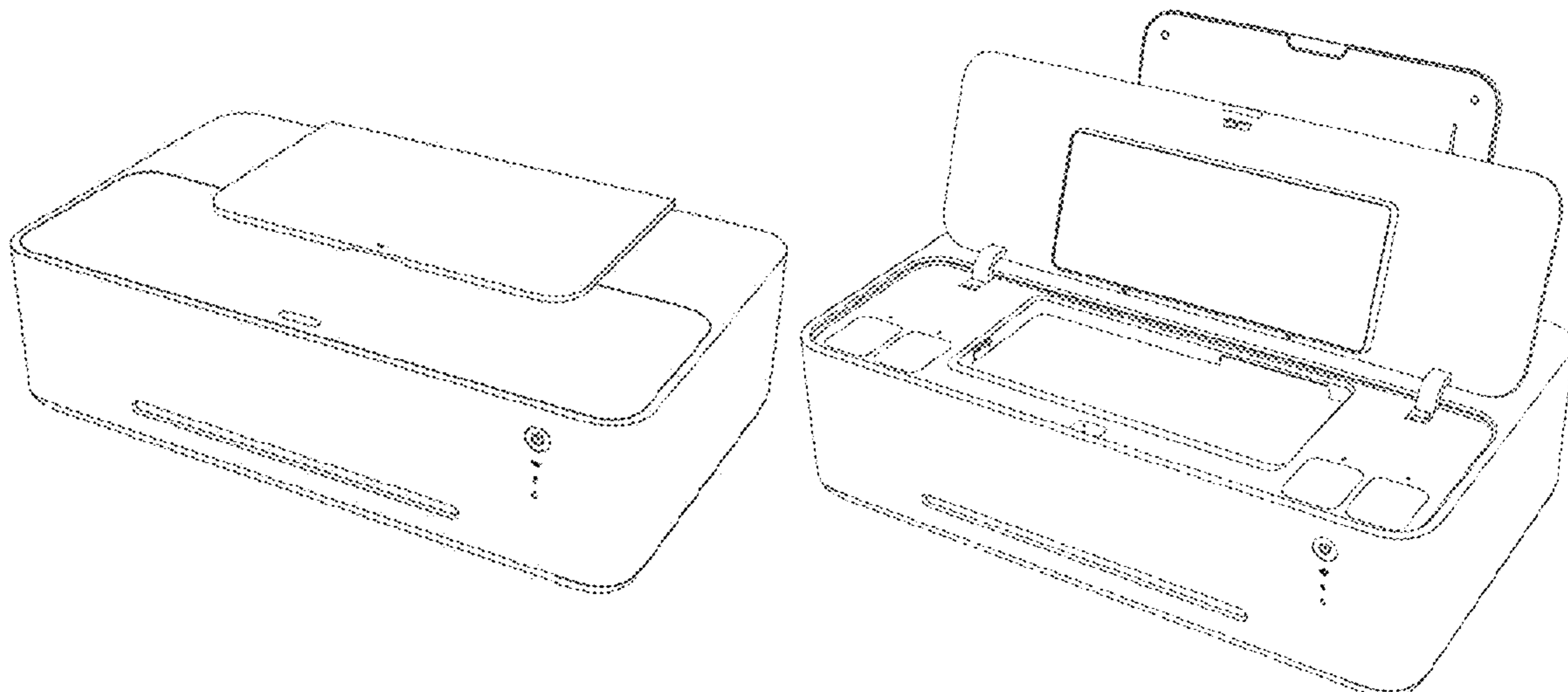
(57) **CLAIM**

The ornamental design for a printer, as shown and described.

DESCRIPTION

1. Printer
1.1 : Front
1.2 : Back
1.3 : Left
1.4 : Right
1.5 : Top
1.6 : Bottom
1.7 : Perspective
1.8 : Front view of a second state
1.9 : Back view of a second state
1.10 : Left view of a second state
1.11 : Right view of a second state
1.12 : Top view of a second state
1.13 : Bottom view of a second state
1.14 : Perspective view of a second state
1.15 : Perspective view of a third state
Figs. 1.8-1.14 represent a second configuration with the input tray in an open position; fig. 1.15 represents a third configuration with input tray and pen door in an open position.

1 Claim, 15 Drawing Sheets



(56)

References Cited

U.S. PATENT DOCUMENTS

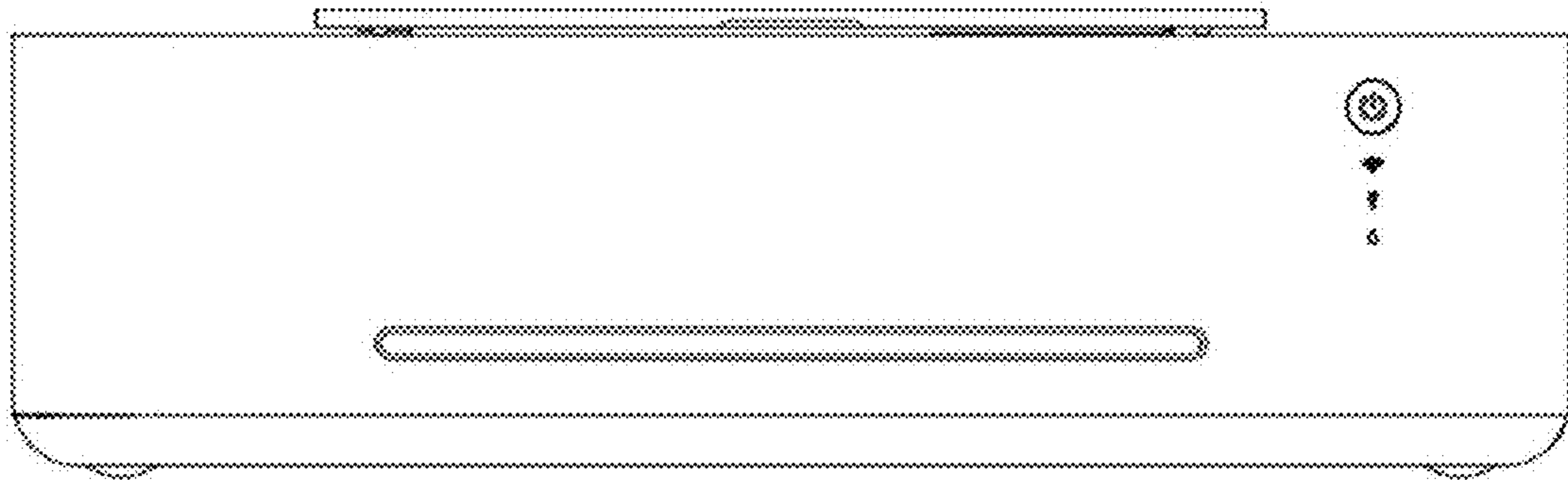
D722,109	S	*	2/2015	Nanno	D18/50
D730,437	S	*	5/2015	Seki	D18/50
D737,895	S	*	9/2015	Nanno	D18/50
D744,031	S	*	11/2015	Tanaka	D18/50
D752,138	S	*	3/2016	Seki	D18/50
D767,570	S	*	9/2016	Ishida	D14/425
D770,565	S	*	11/2016	Tanaka	D18/50
D781,955	S	*	3/2017	Kim	D18/50
D799,590	S	*	10/2017	Dwyer	D18/50
D800,212	S	*	10/2017	Nanno	D18/19
D820,905	S	*	6/2018	Wan	D18/50
D827,022	S	*	8/2018	Yamashita	D18/50
D827,705	S	*	9/2018	Gosselin	D18/34.3
D850,528	S	*	6/2019	Gosselin	D18/34.3
2014/0139986	A1	*	5/2014	Osakabe	H04N 1/00554 361/679.01

OTHER PUBLICATIONS

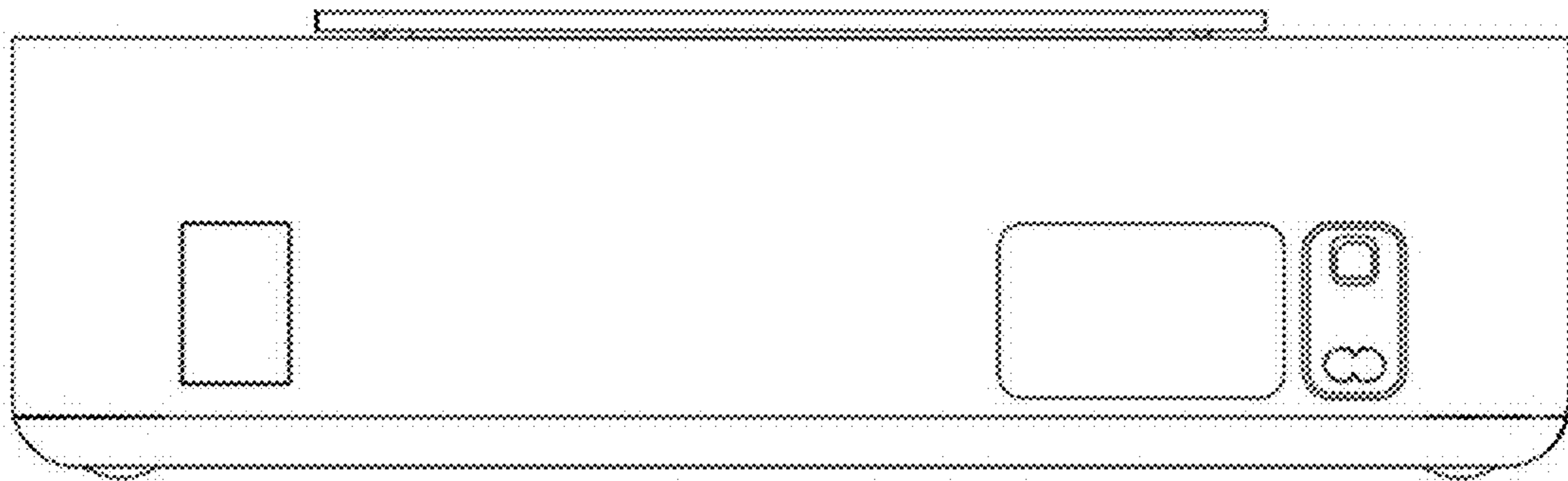
Indian Patent Office, Office Action Issued in Application No. 313811-001, dated Feb. 14, 2019, 19 pages.

* cited by examiner

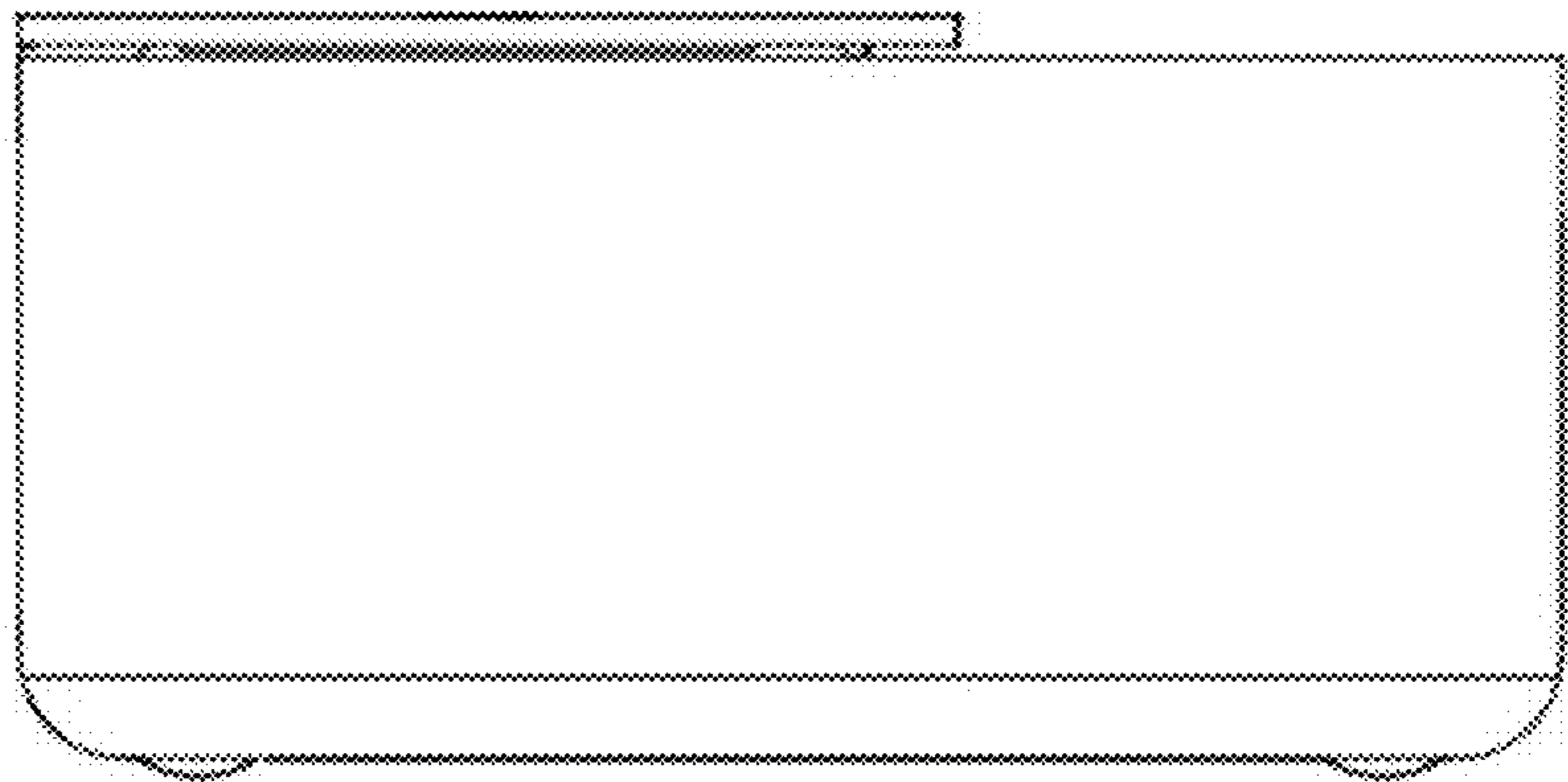
1.1



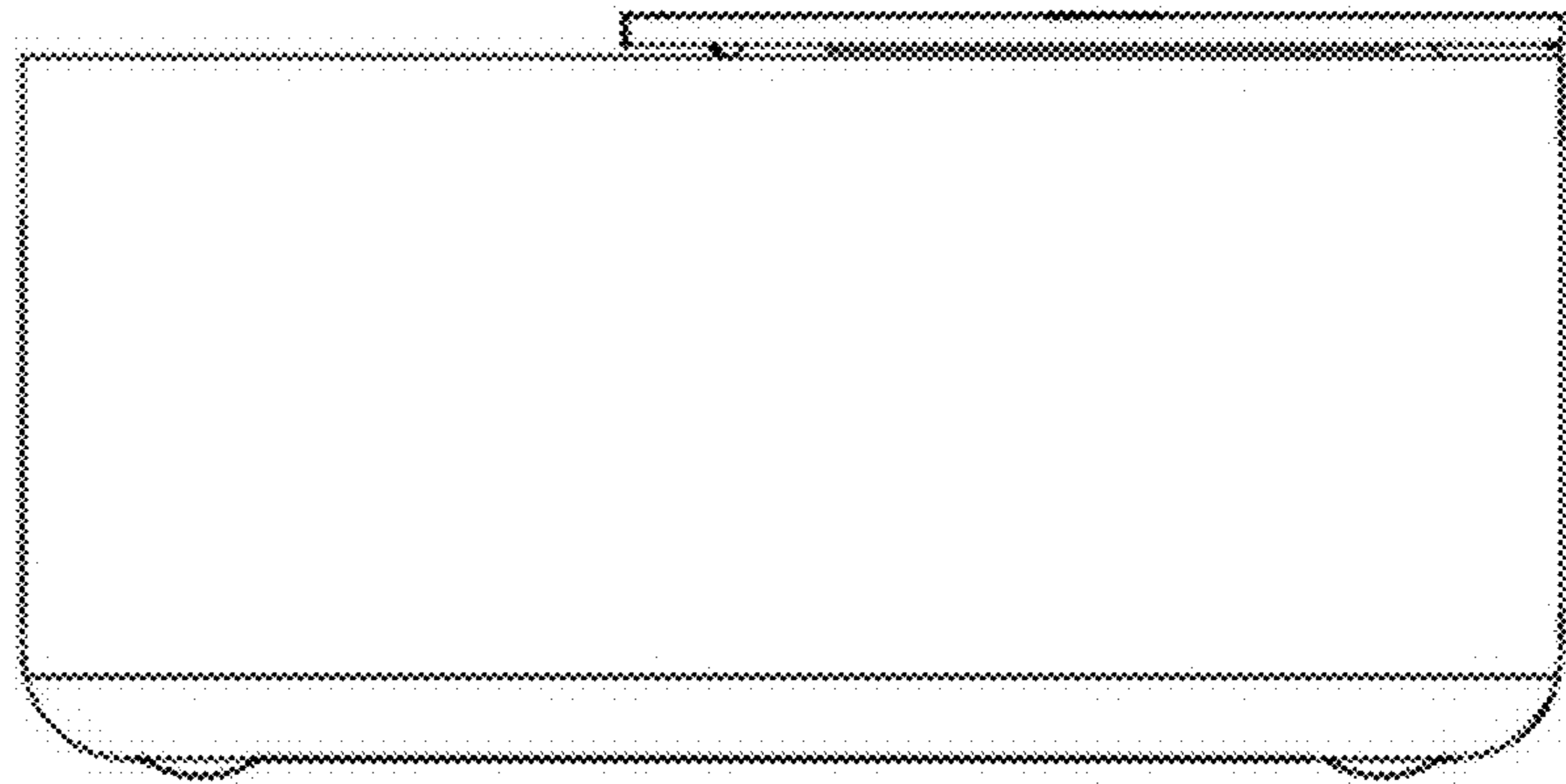
1.2



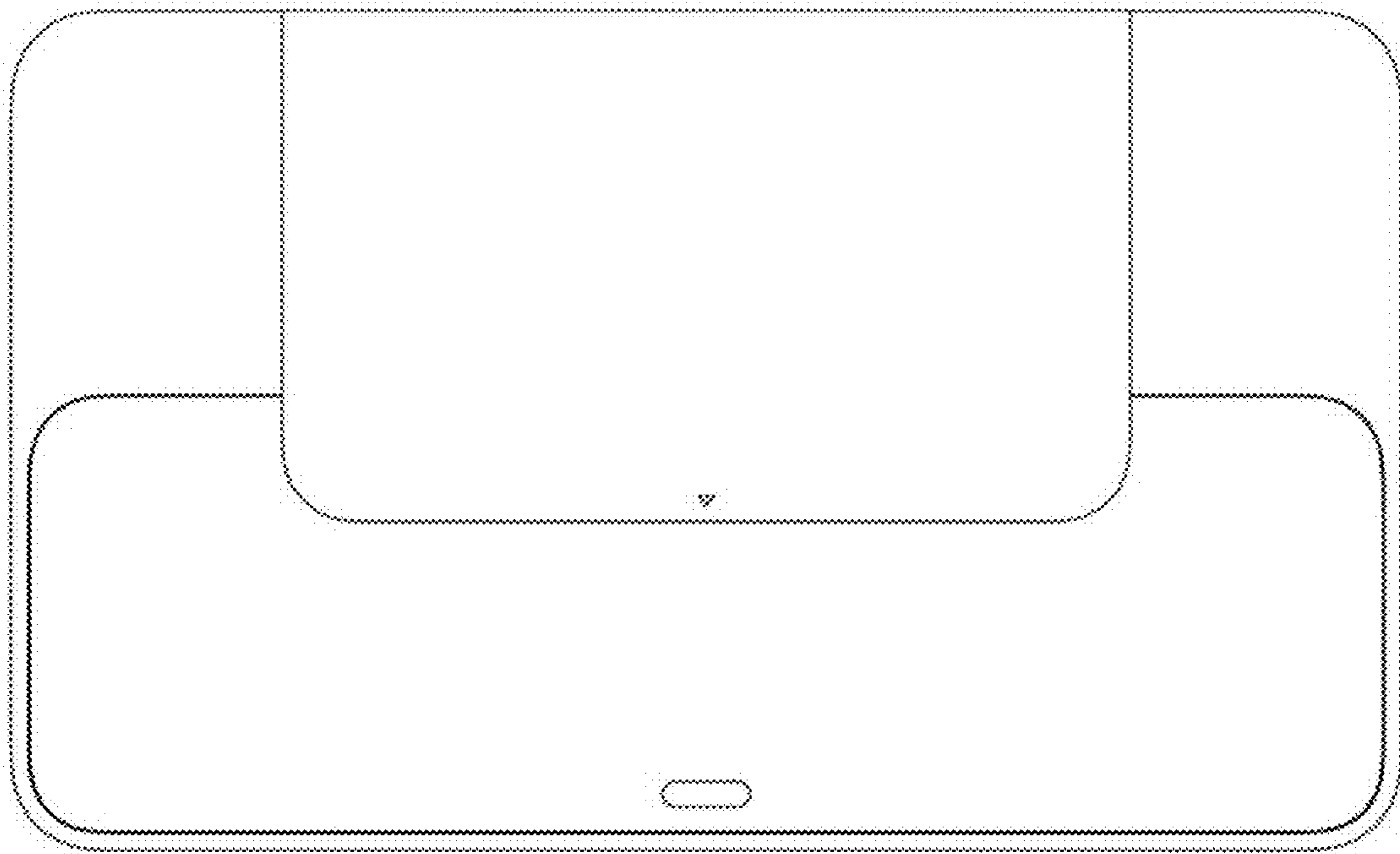
1.3



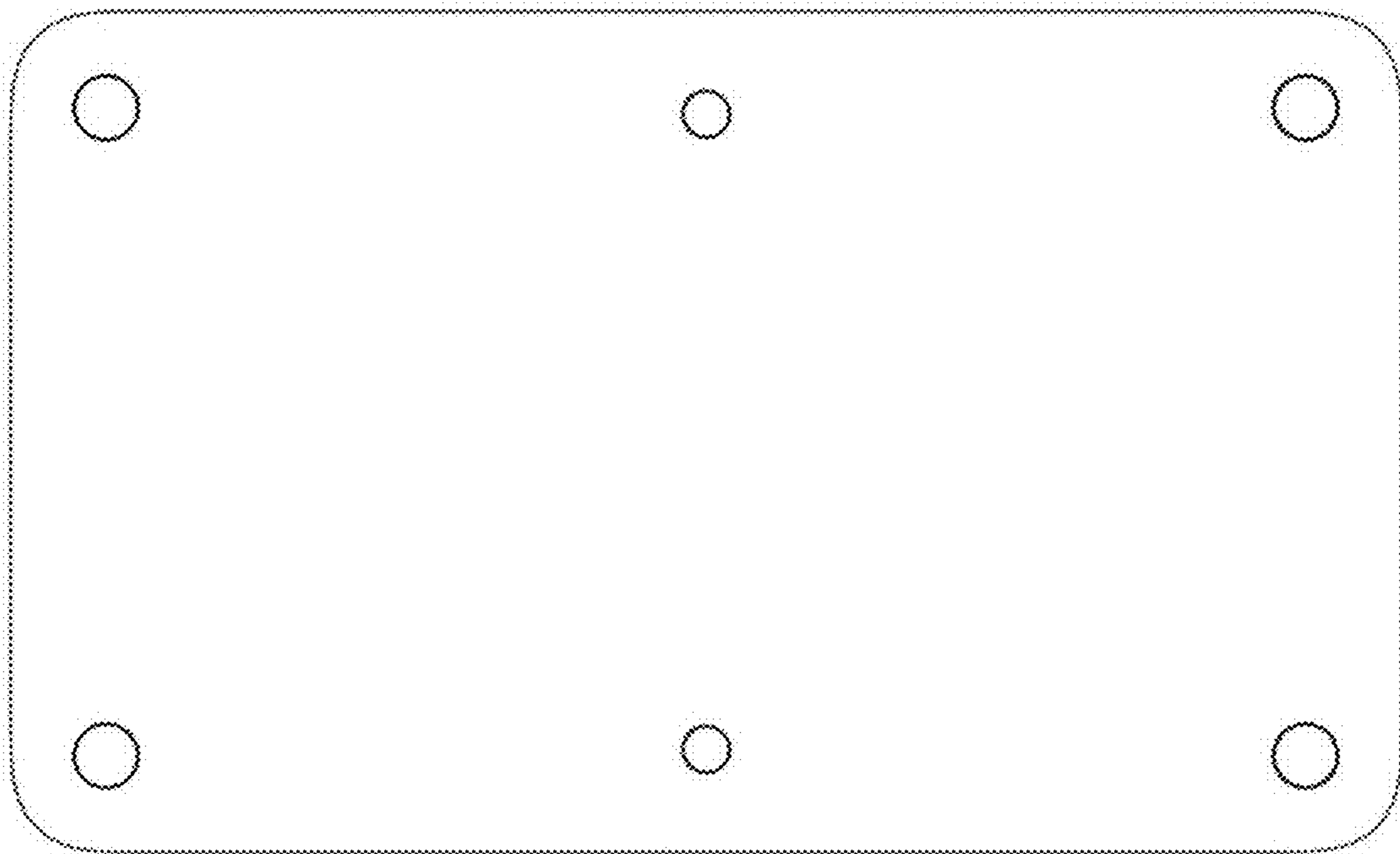
1.4



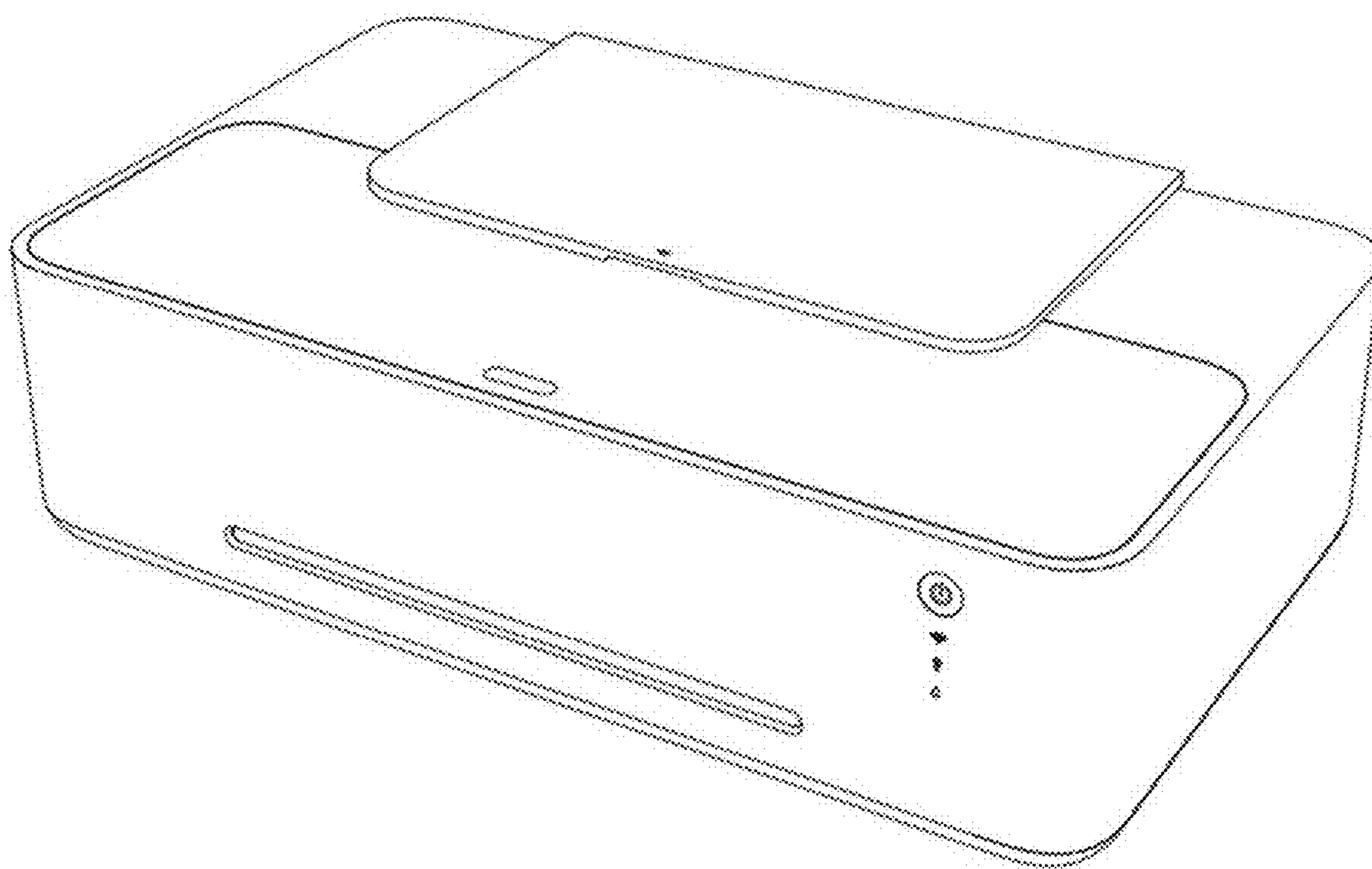
1.5



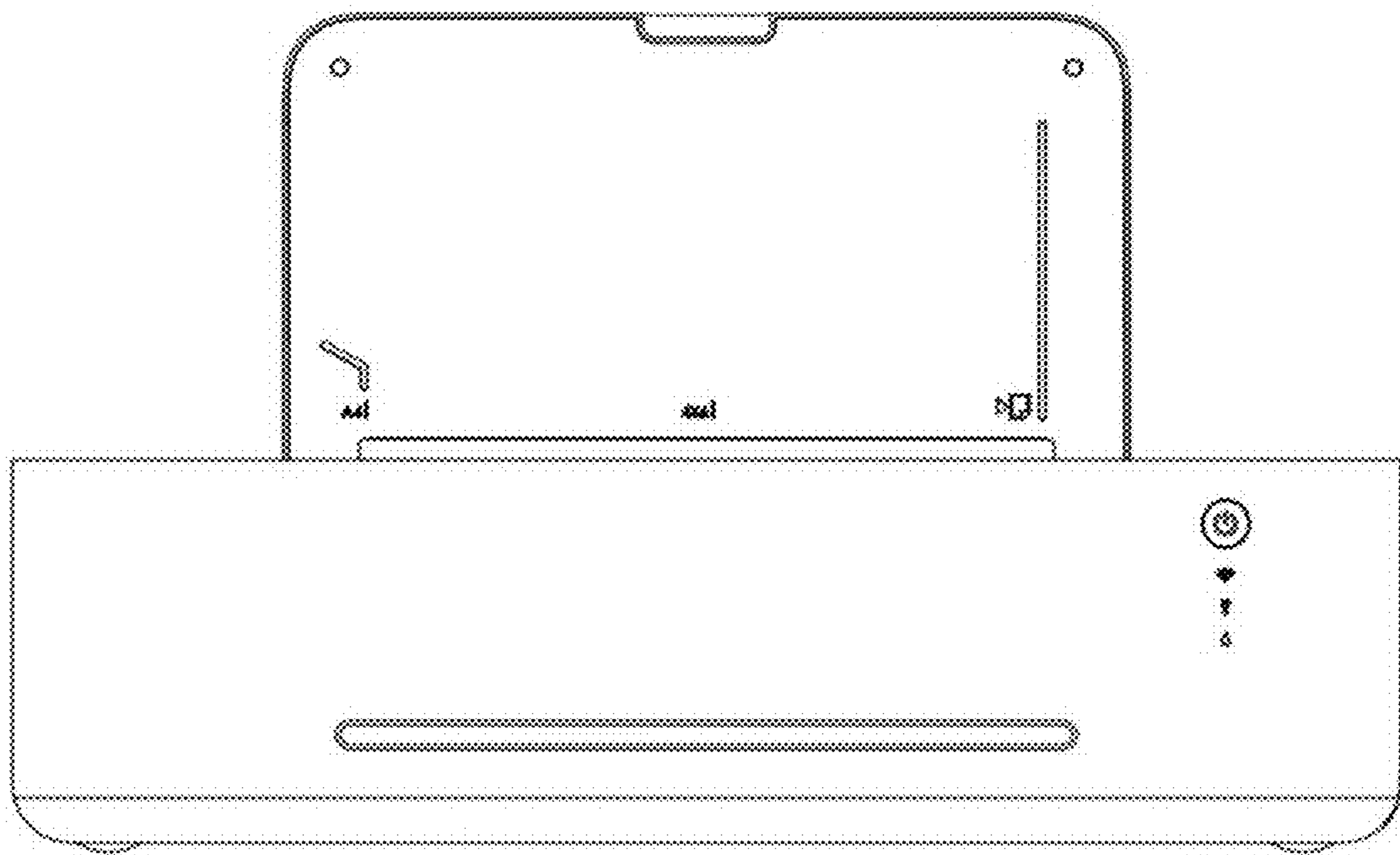
1.6



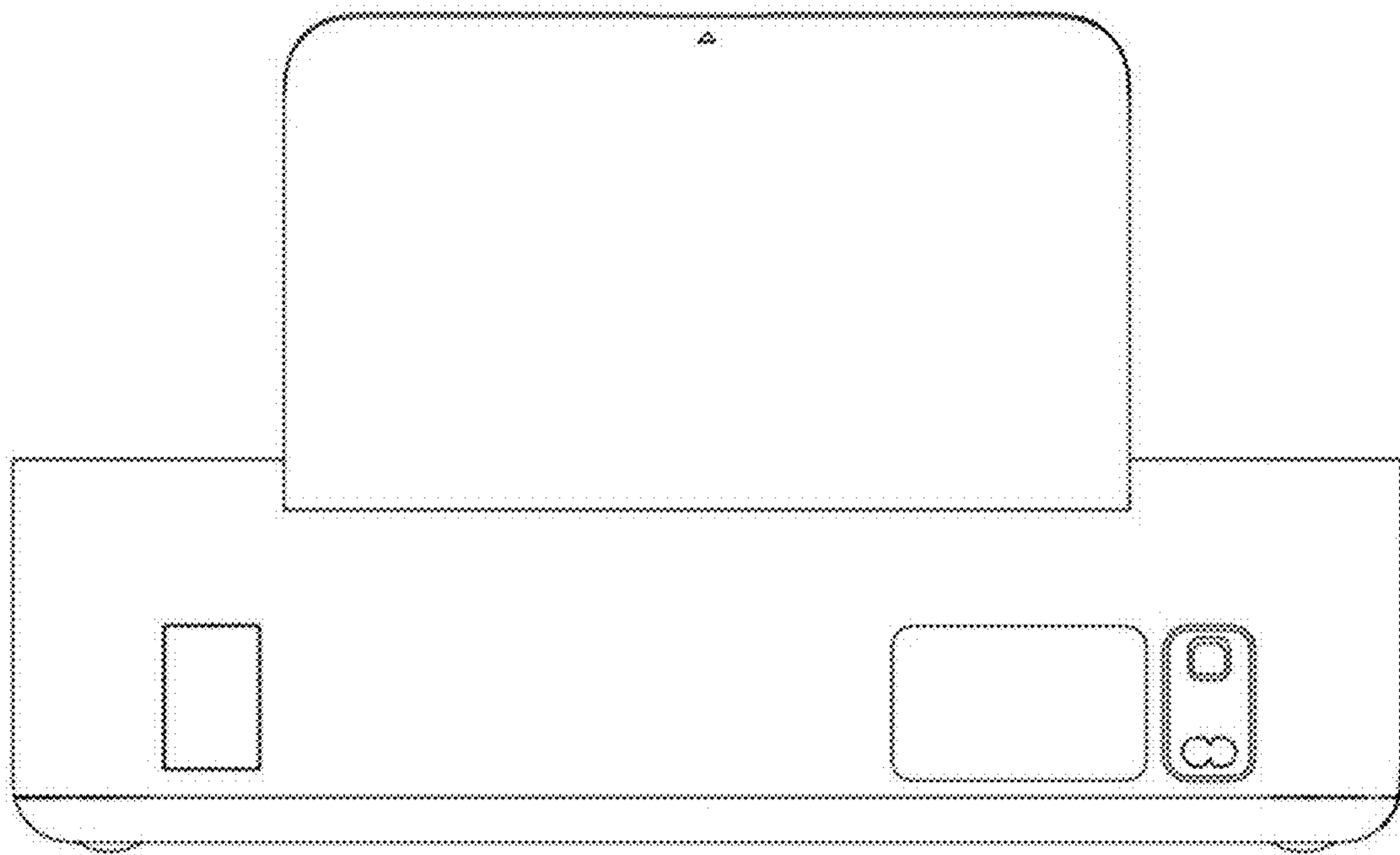
1.7



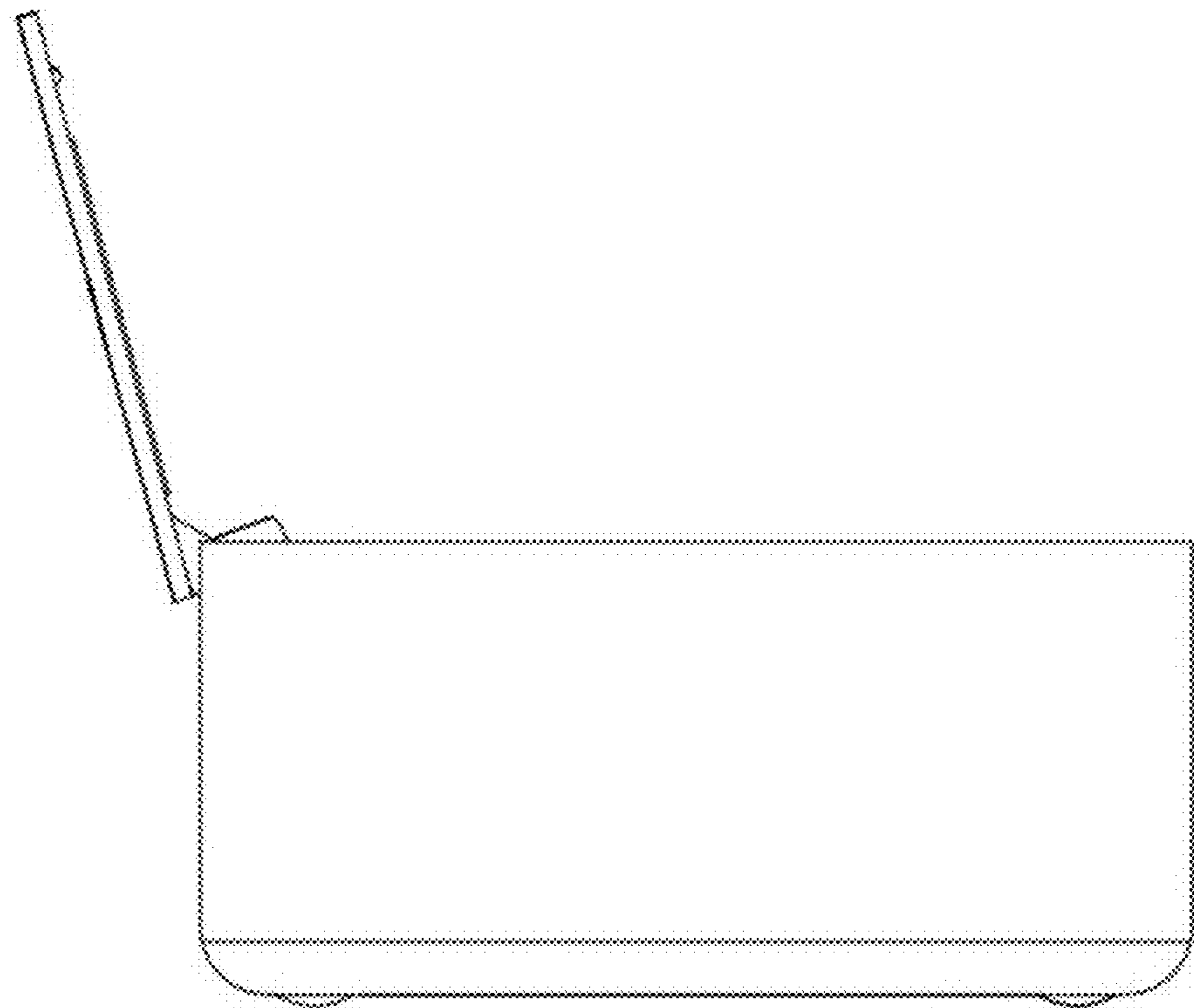
1.8



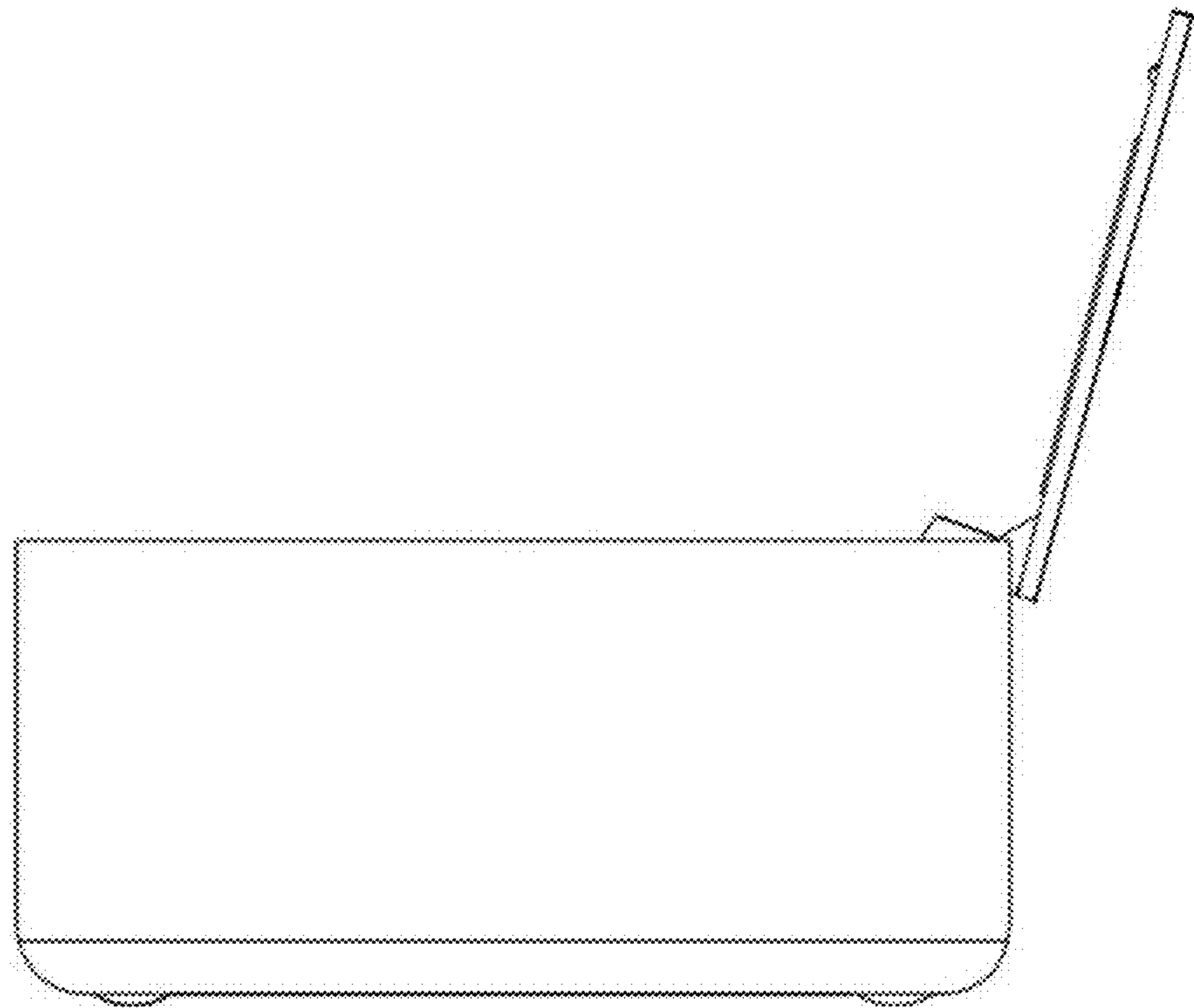
1.9



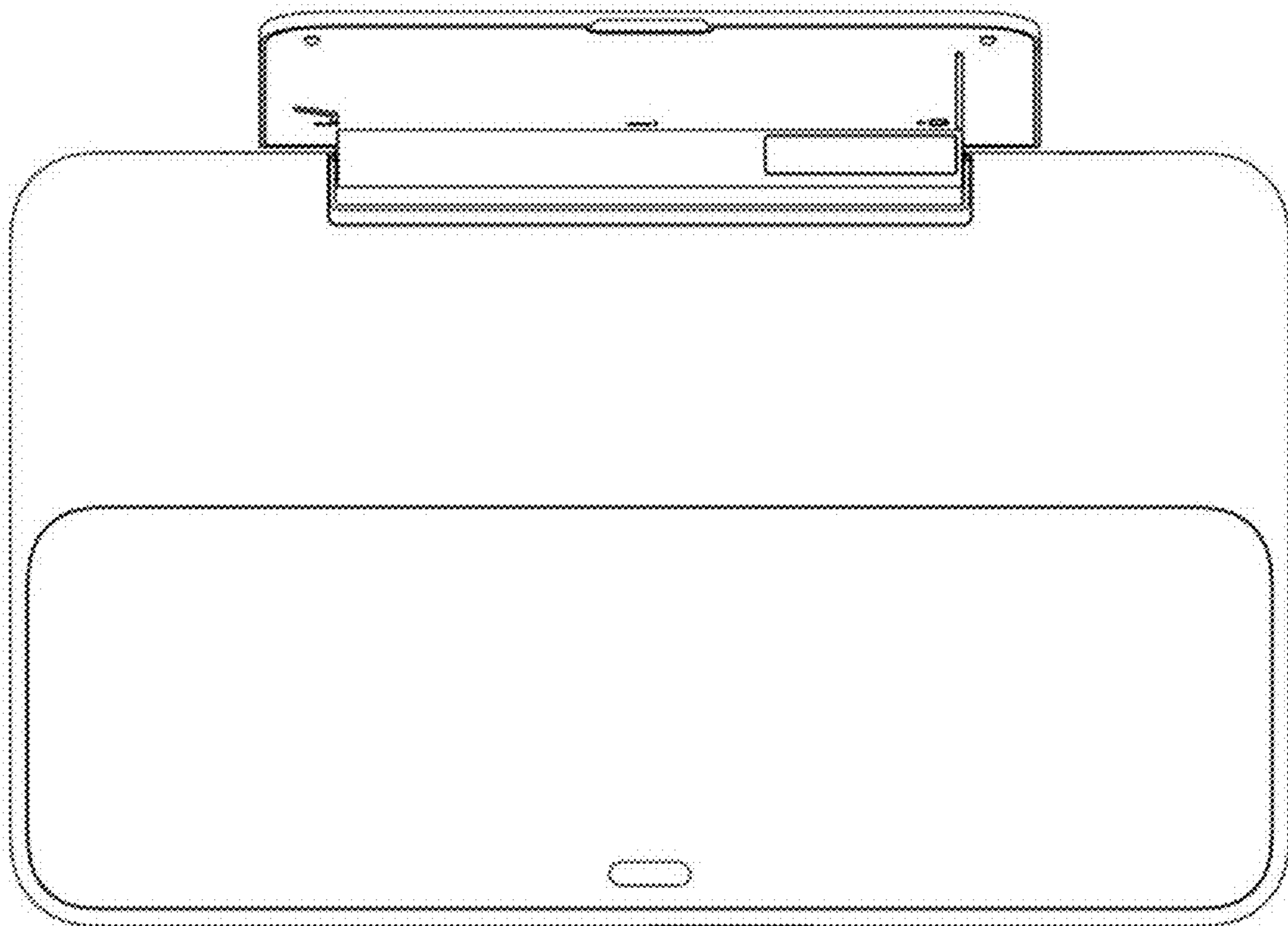
1.10



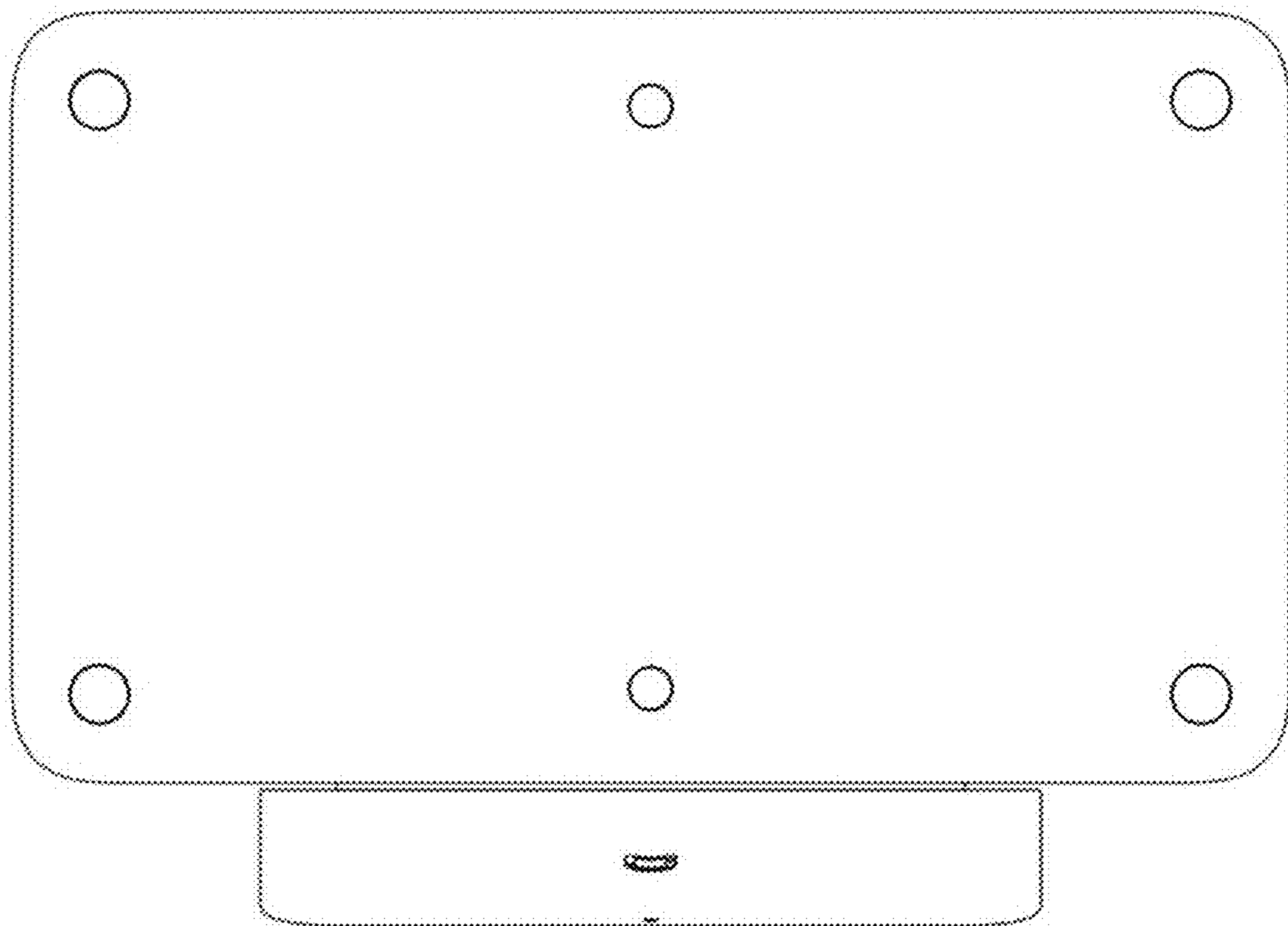
1.11



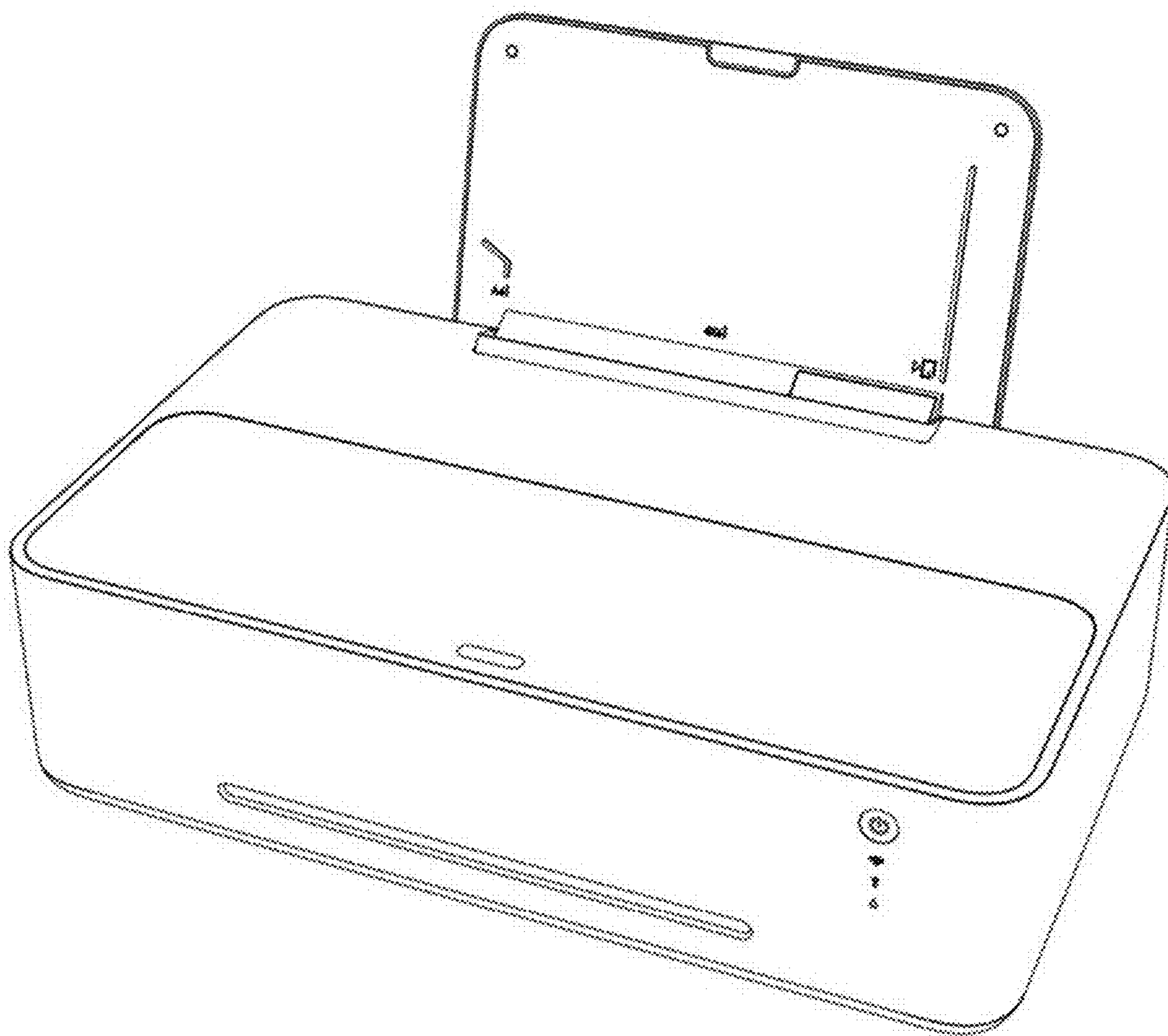
1.12



1.13



1.14



1.15

