



US00D889536S

(12) **United States Design Patent**  
**Großmann**

(10) **Patent No.:** **US D889,536 S**

(45) **Date of Patent:** **\*\* Jul. 7, 2020**

(54) **PRINTING MACHINE**

(71) Applicant: **KOENIG & BAUER AG**, Würzburg  
(DE)

(72) Inventor: **Karsten Großmann**, Weinböhla (DE)

(73) Assignee: **KOENIG & BAUER AG**, Würzburg  
(DE)

(\*\*) Term: **15 Years**

(21) Appl. No.: **35/505,592**

(22) Filed: **Jul. 11, 2018**

(80) **Hague Agreement Data**

Int. Filing Date: **Jul. 11, 2018**

Int. Reg. No.: **DM/102566**

Int. Reg. Date: **Jul. 11, 2018**

Int. Reg. Pub. Date: **Sep. 7, 2018**

(30) **Foreign Application Priority Data**

Feb. 9, 2018 (EM) ..... 004703262

(51) **LOC (12) Cl.** ..... **18-02**

(52) **U.S. Cl.**

USPC ..... **D18/53**

CPC ..... **G06K 15/12 (2013.01)**

(58) **Field of Classification Search**

USPC .... D18/50-59, 36-45, 34.4-34.6; D14/301,  
D14/307

CPC .... G06K 15/12; G06K 15/14; H04N 1/00204;  
H04N 1/00249; H04N 1/00278; B41J

3/00; B41J 3/28; B41J 3/445; B41J 3/46

See application file for complete search history.

(56) **References Cited**

**U.S. PATENT DOCUMENTS**

D252,933 S \* 9/1979 Schott ..... D18/53

D321,000 S \* 10/1991 Kitamura ..... D18/53

D323,844 S \* 2/1992 Kitamura ..... D18/53

D324,537 S \* 3/1992 Maehara ..... D18/53  
D332,464 S \* 1/1993 Doi ..... D18/53  
D332,797 S \* 1/1993 Shinmoto ..... D18/53  
D341,155 S \* 11/1993 Fujii ..... D18/53  
D350,561 S \* 9/1994 Hiraishi ..... D18/53  
D351,188 S \* 10/1994 Hiraishi ..... D18/53  
D353,396 S \* 12/1994 Hiraishi ..... D18/53  
D353,618 S \* 12/1994 Hiraishi ..... D18/53  
D353,833 S \* 12/1994 Karafuji ..... D18/53  
D357,499 S \* 4/1995 Karafuji ..... D18/53

(Continued)

*Primary Examiner* — Richard E Chilcot

(74) *Attorney, Agent, or Firm* — Mattingly & Malur, PC

(57) **CLAIM**

The ornamental design for a printing machine, as shown and described.

**DESCRIPTION**

The patent or application file contains at least one drawing executed in color. Copies of this patent or patent application publication with color drawing(s) will be provided by the Office upon request and payment of the necessary fee.

FIG. 1.1 is a front elevation view of a design for a printing machine;

FIG. 1.2 is a front left perspective view thereof;

FIG. 1.3 is a top left perspective view thereof;

FIG. 1.4 is a rear left perspective view thereof;

FIG. 1.5 is a top rear left perspective view thereof;

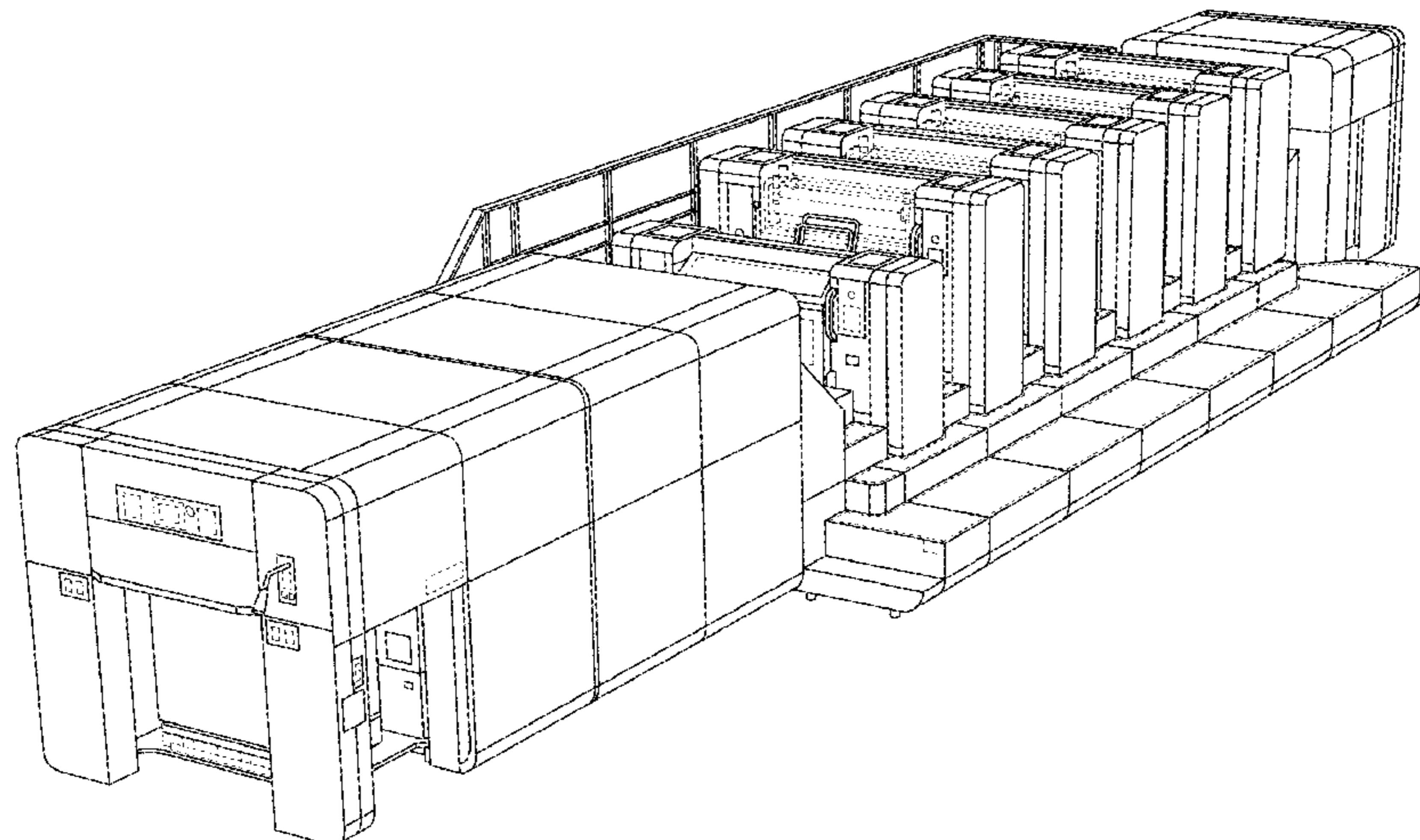
FIG. 1.6 is a front left perspective view of a left portion thereof;

FIG. 1.7 is a front left perspective view of a center portion thereof; and

FIG. 2.0 is a front elevation view thereof; the housing colors corresponding to RAL colors: RAL 5011 (steel blue), RAL 9006 (white aluminum), RAL 7016 (anthracite grey), RAL 9004 (signal black).

The broken line showing of details in FIGS. 1.1-1.7 is included for the purpose of showing environmental portions of the design. No claim is made for the portions shown in broken line.

**1 Claim, 8 Drawing Sheets**  
**(1 of 8 Drawing Sheet(s) Filed in Color)**



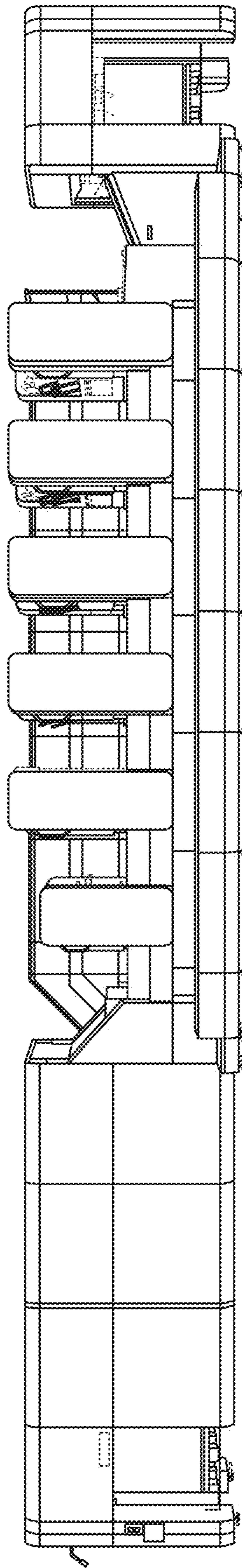
(56)

**References Cited**

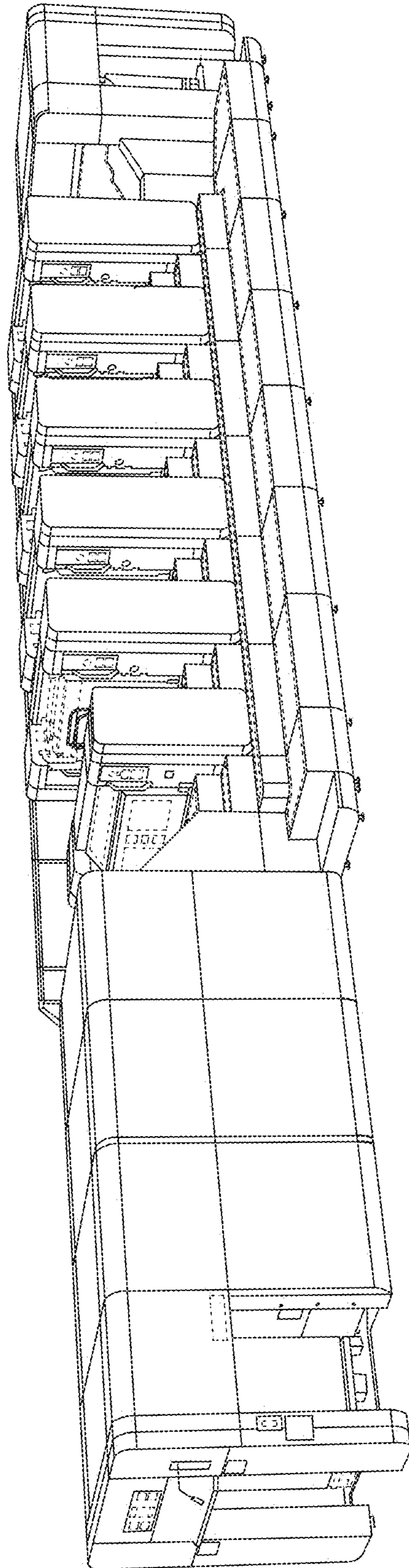
U.S. PATENT DOCUMENTS

D357,934 S *	5/1995	Karafuji .....	D18/53
D363,735 S *	10/1995	Karafuji .....	D18/53
D378,831 S *	4/1997	Karafuji .....	D18/53
D405,108 S *	2/1999	Karafuji .....	D18/53
D412,525 S *	8/1999	Tachibana .....	D18/53
D416,283 S *	11/1999	Yamashita .....	D18/53
D459,390 S *	6/2002	Teodorescu .....	D18/53
D460,981 S *	7/2002	Tachibana .....	D18/53
D605,221 S *	12/2009	Stenzel .....	D18/53
D605,690 S *	12/2009	Stenzel .....	D18/53
D624,959 S *	10/2010	Stenzel .....	D18/53
D629,448 S *	12/2010	Bundschuh .....	D18/56
D799,592 S *	10/2017	Longo .....	D18/53
D823,385 S *	7/2018	Senshiki .....	D18/53
D854,080 S *	7/2019	Senshiki .....	D18/53

\* cited by examiner

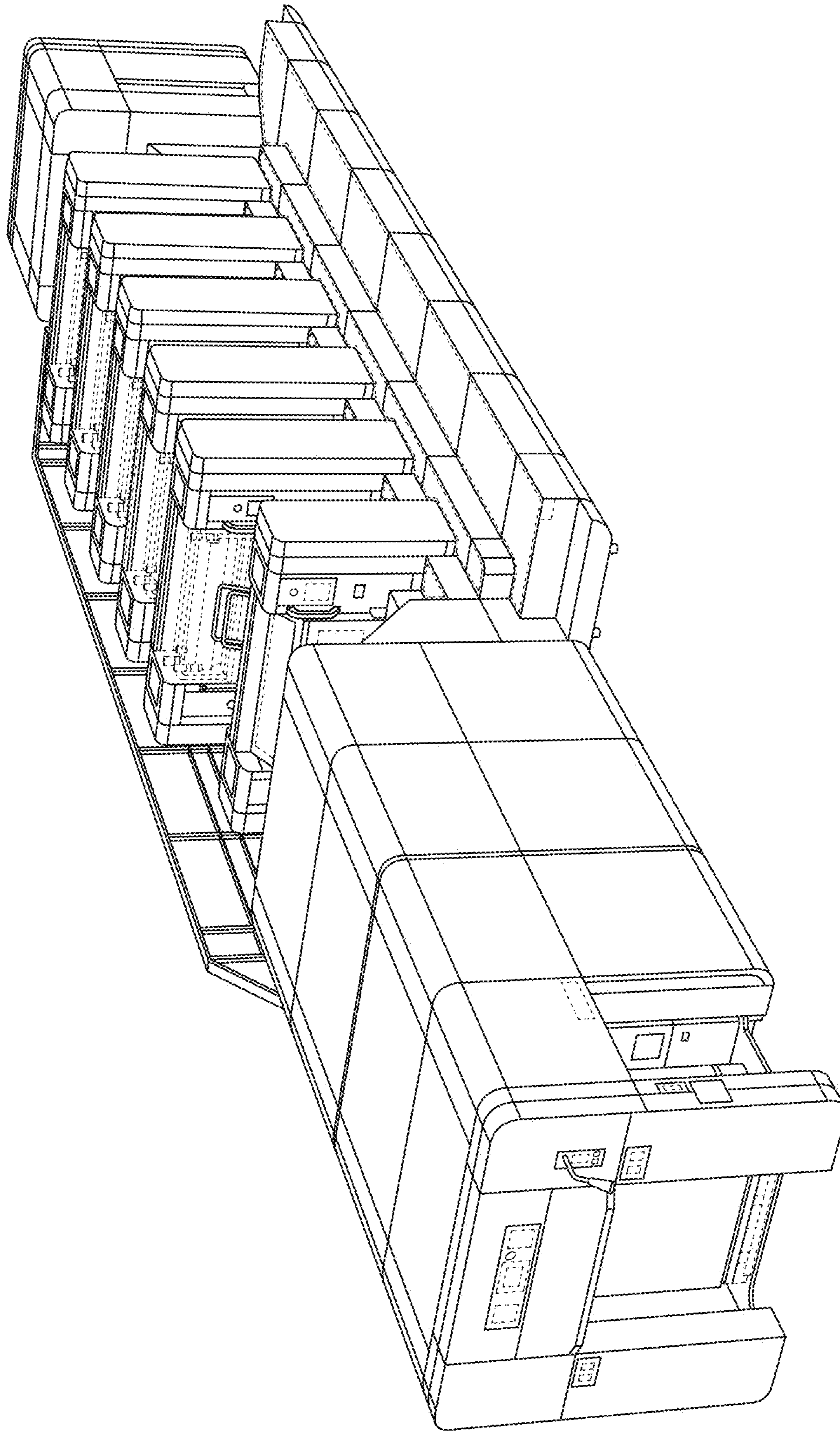


1.1

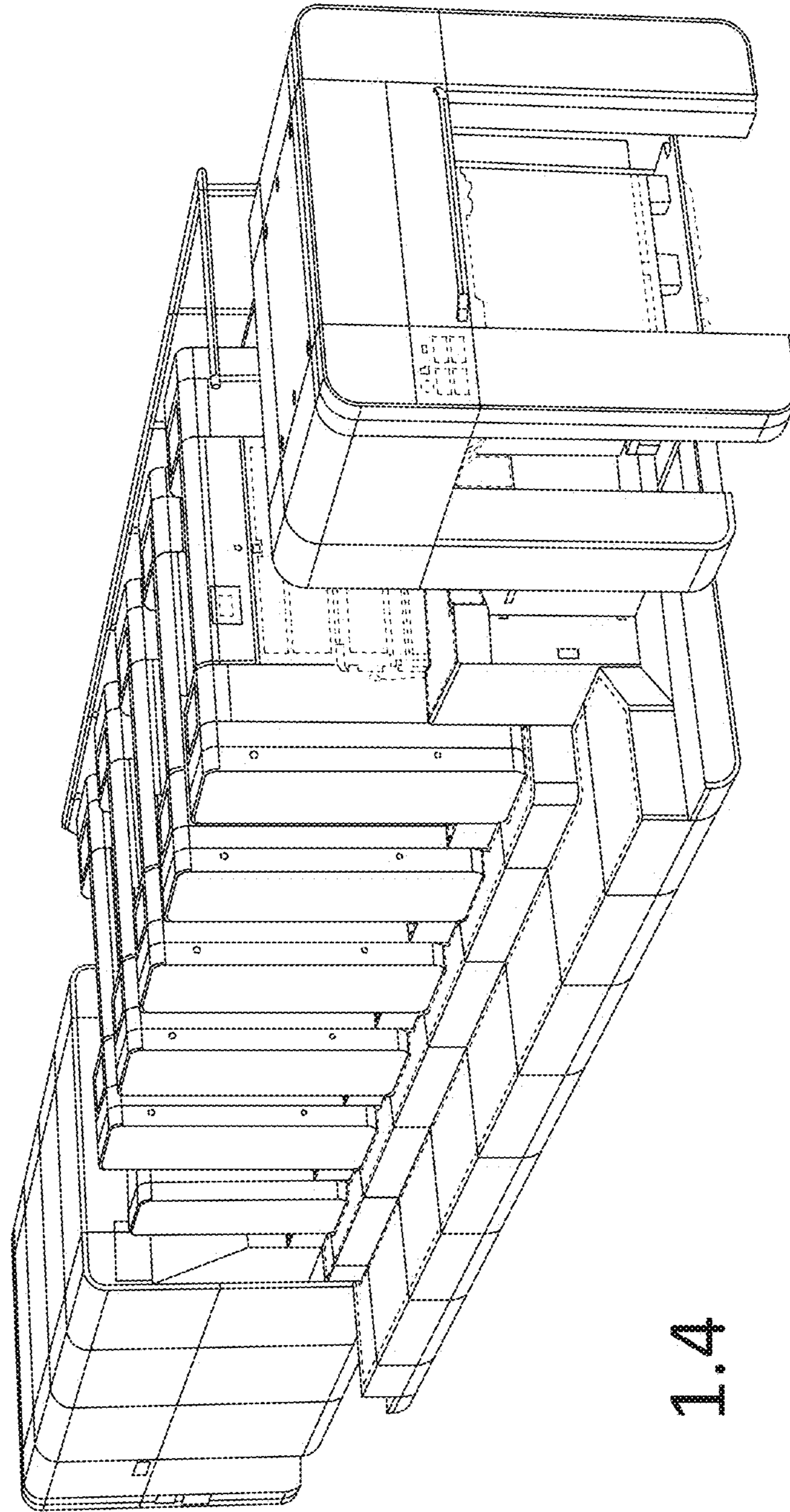


1.2

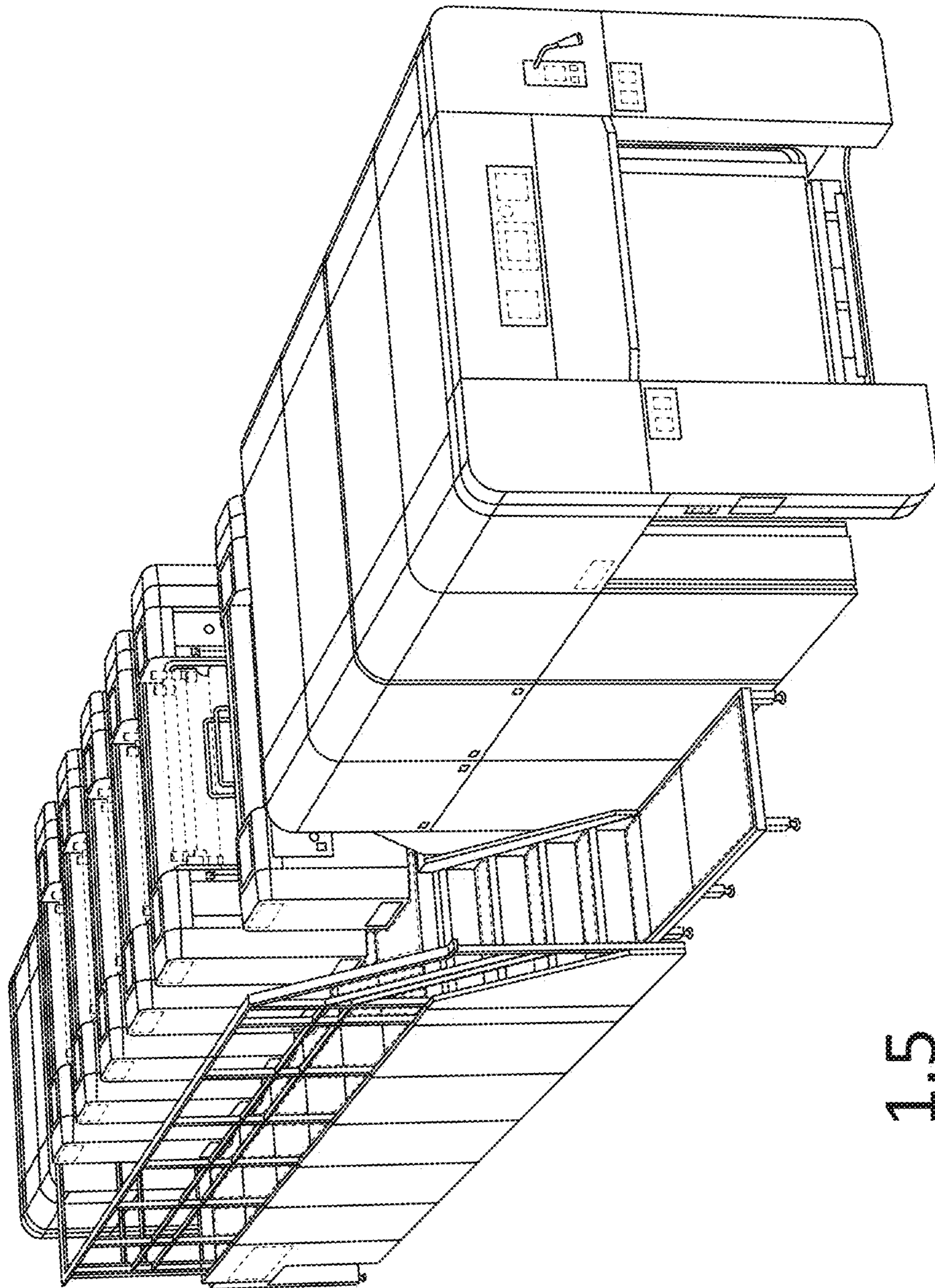




1.3

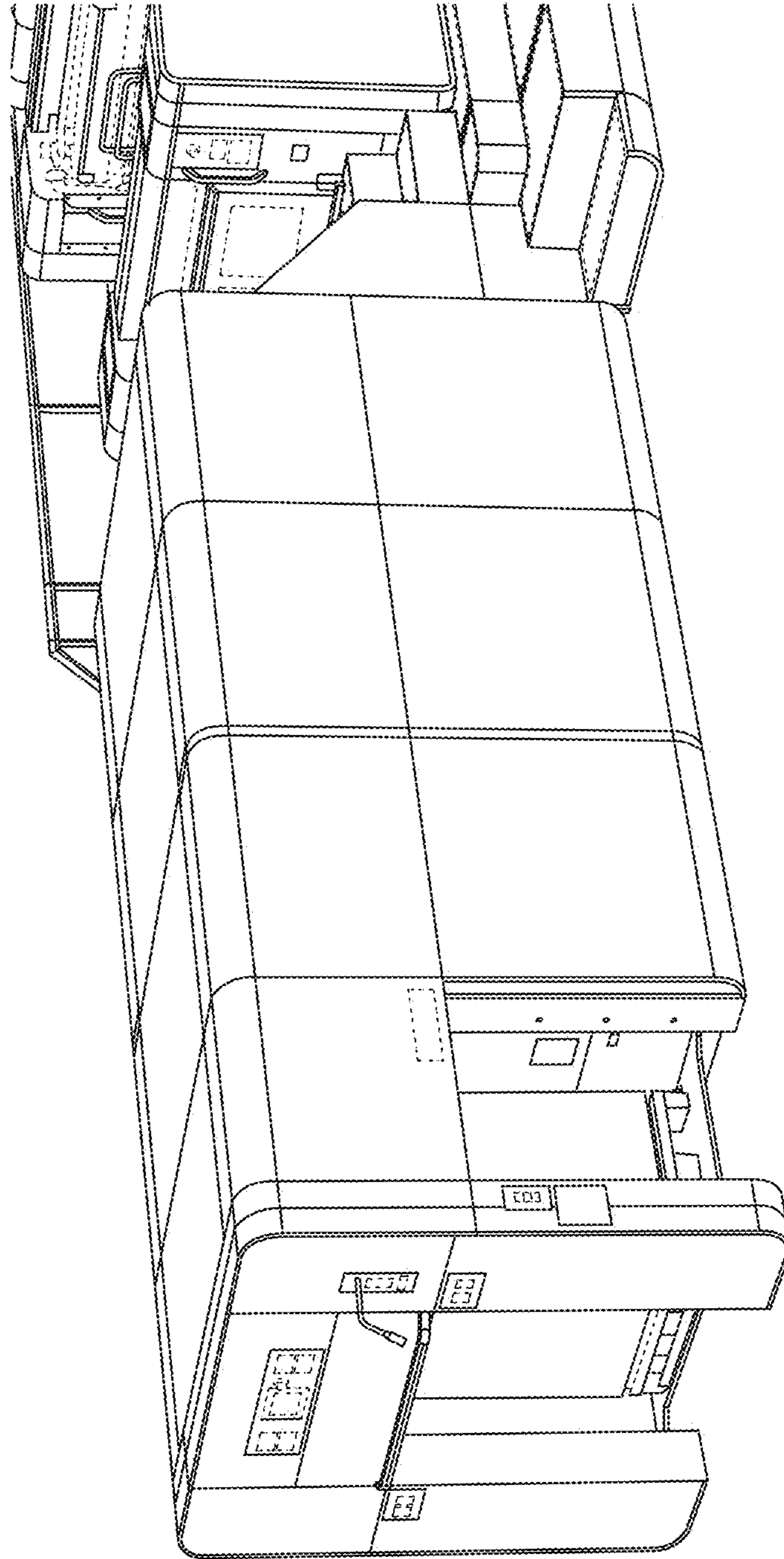


1.4



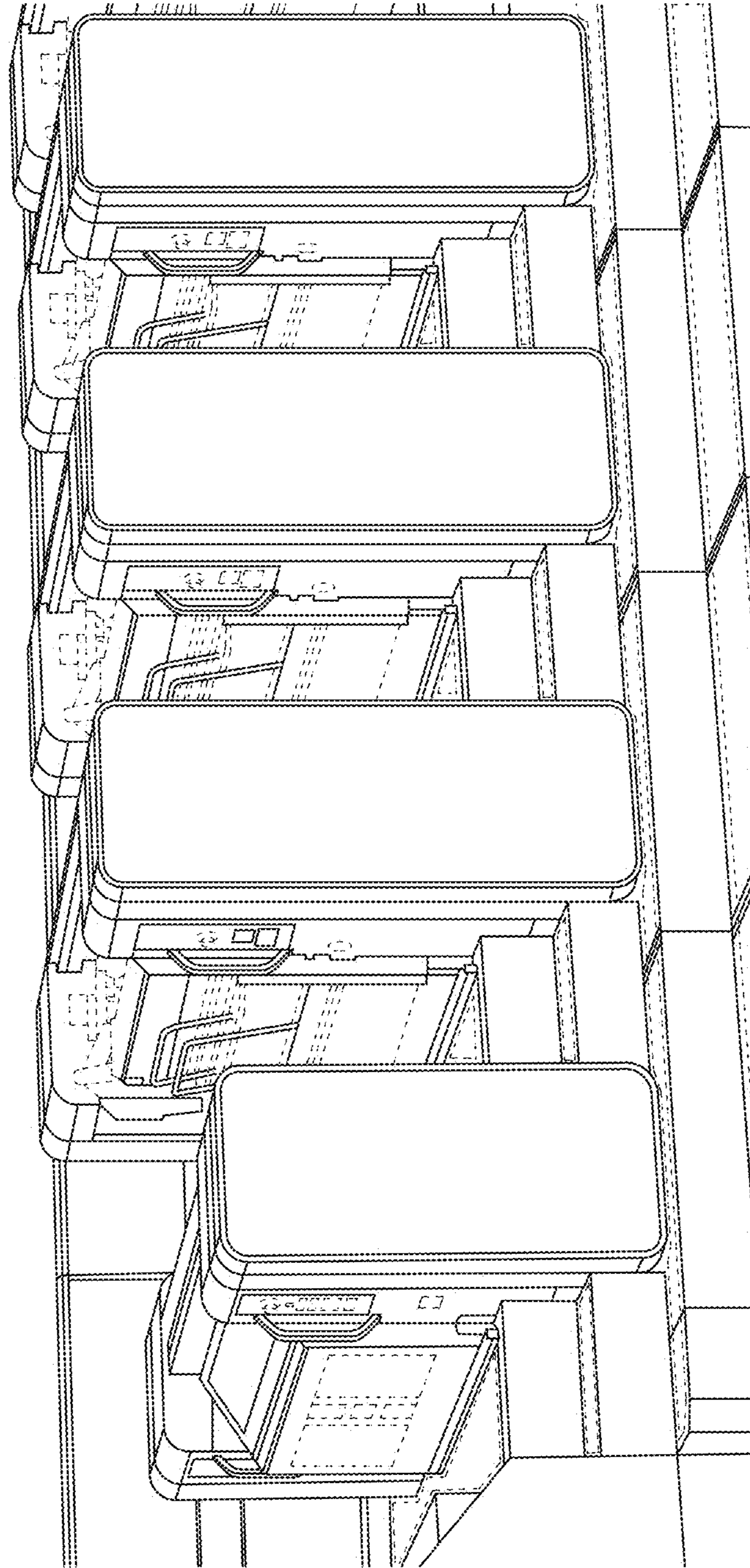
1.5



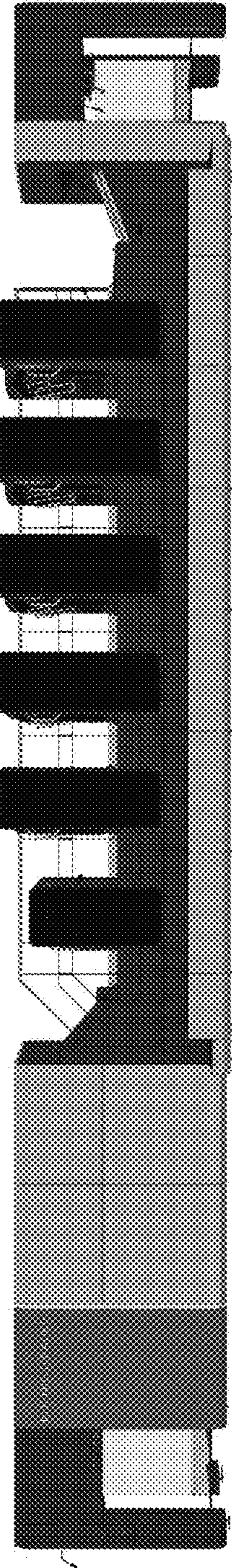


1.6





1.7



2.0