



US00D889535S

(12) **United States Design Patent**
Chen

(10) **Patent No.:** **US D889,535 S**
(45) **Date of Patent:** **** Jul. 7, 2020**

(54) **MICRO PRINTER**

(71) Applicant: **Yingze Chen**, Guangdong (CN)
(72) Inventor: **Yingze Chen**, Guangdong (CN)

(**) Term: **15 Years**

(21) Appl. No.: **29/713,144**

(22) Filed: **Nov. 14, 2019**

(30) **Foreign Application Priority Data**

Oct. 17, 2019 (EM) 007029681

(51) **LOC (12) Cl.** **19-02**

(52) **U.S. Cl.**
USPC **D18/14**

(58) **Field of Classification Search**

USPC D15/122, 135, 138, 141; D18/14, 19, 50,
D18/54, 54.1, 55, 59

CPC B22F 3/105; B22F 3/008; B29C 35/00;
B29C 35/02; B29C 35/04; B29C 35/06;
B29C 35/08; B29C 35/10; B29C 35/12;
B29C 35/14; B29C 35/16; B29C 35/18;
B29C 37/00; B29C 37/02; B29C 37/04;
B29C 67/00; B29C 67/02; B29C 67/04;
B29C 67/06; B29C 67/08; B29C 67/20;
B29C 67/24; B29C 69/00; B29C 69/02;
B29C 70/00; B29C 70/02; B29C 70/04;
B29C 70/06; B29C 70/08; B29C 70/10;
B29C 70/12; B29C 70/14; B29C 70/16;
B29C 70/18; B29C 70/20; B29C 70/22;
B29C 70/24; B29C 70/26; B29C 70/28;
B29C 41/12; B29C 41/36; B29C 67/0081;
B41J 2/155; B41J 2/17513; B41J
2/17556; B41J 2/17596; B41J 2/16552;
B41J 2/16541; B41J 2002/20; B41J
2002/14475; B29K 2995/0021

See application file for complete search history.

(56) **References Cited**

U.S. PATENT DOCUMENTS

D363,734 S * 10/1995 Bianco D18/50
D467,962 S * 12/2002 Ishigami D14/240
D733,217 S * 6/2015 Nishimura D18/55
D734,814 S * 7/2015 Yeh D18/50

(Continued)

FOREIGN PATENT DOCUMENTS

CN 304800892 * 9/2018
CN 304981097 * 1/2019

(Continued)

OTHER PUBLICATIONS

Amazon. Link: https://www.amazon.com/dp/B01N0Y9QBE/ref=cm_sw_r_tw_dp_U_x_yjjmEb9NAERZ3. Jan. 25, 2017. CEL Robox Dual-Material 3D Printer and Micro-Manufacturing Platform. (Year: 2017).*

(Continued)

Primary Examiner — Lauren D McVey

(74) *Attorney, Agent, or Firm* — ZANIP

(57) **CLAIM**

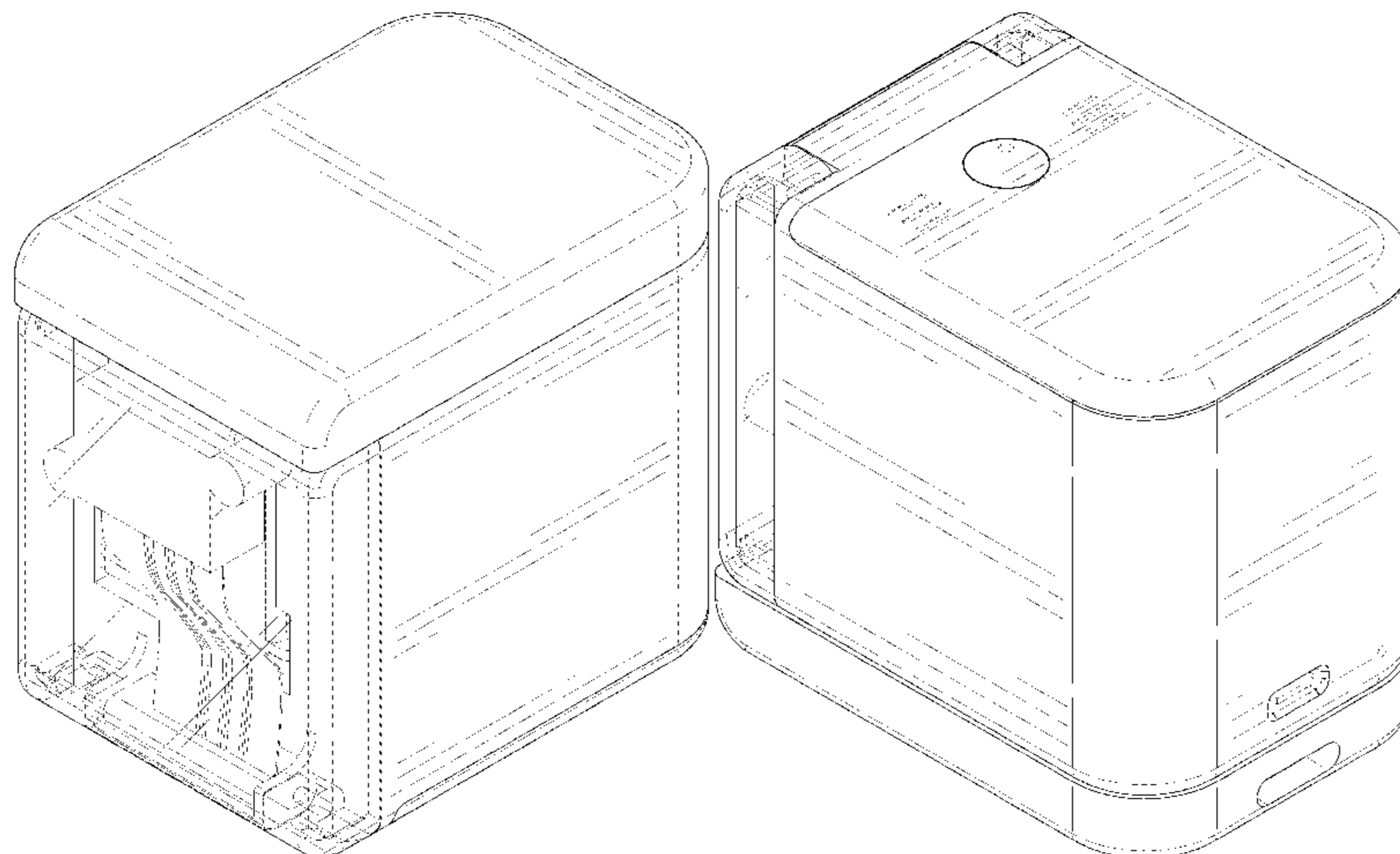
The ornamental design for a micro printer, as shown and described.

DESCRIPTION

FIG. 1 is a front and top perspective view of a micro printer, showing my new design;
FIG. 2 is a rear and bottom perspective view thereof;
FIG. 3 is a front elevational view thereof;
FIG. 4 is a rear elevational view thereof;
FIG. 5 is a left side devotional view thereof;
FIG. 6 is a right side elevational view thereof;
FIG. 7 is a top plan view thereof; and,
FIG. 8 is a bottom plan view thereof.

The broken lines in the figures illustrate portions of the micro printer that form no part of the claimed design.

1 Claim, 8 Drawing Sheets



(56)

References Cited

U.S. PATENT DOCUMENTS

D736,838 S * 8/2015 Costabeber D15/122
 D757,132 S * 5/2016 Liu D15/122
 D763,330 S * 8/2016 Olive D15/122
 D808,453 S * 1/2018 Share D15/199
 D809,574 S * 2/2018 Lin D15/122
 10,195,778 B2 * 2/2019 Wolf B33Y 30/00
 D865,049 S 10/2019 Bidwell et al.
 2007/0076024 A1 * 4/2007 Jeong B41J 2/17566
 347/7
 2017/0106603 A1 * 4/2017 Pobihun B29C 64/393
 2017/0182707 A1 * 6/2017 Moroni G05B 19/4099

FOREIGN PATENT DOCUMENTS

CN 305357133 * 9/2019
 KR 300980839.0000 * 11/2018

OTHER PUBLICATIONS

Amazon. Link: https://www.amazon.com/dp/B07NYPRBV5/ref=cm_sw_r_tw_dp_U_x_Jh6PCb64QFBHX. Feb. 19, 2019. Mini Label Printer, 4x6 Thermal Printer. (Year: 2019).*

Di Mello's Outlet. Link: https://dimellosoutlet.com/products/palmprinter-handheld-inkjet-color-printer?variant=33390821736584¤cy=USD&gclid=EALalQobChMlol2LtlC26QIVdotaBR18tgDCEAQYCSABEgKZJvD_BwE. Visited May 15, 2020. Palm printer handheld inkjet color printer. (Year: 2020).*

Ali Express. Link: <https://www.aliexpress.com/item/4000771572636.html?channel=twinner>. Visited May 15, 2020. Mbrush Portable Mobile Color Mini Handheld Printer WIFI USB for ios Android tattoo logo wireless Bluetooth A4 inkjet printer. (Year: 2020).*

New Atlas. Link: <https://newatlas.com/printbrush-xdr-handheld-inkjet-printer/57781/>. Dec. 21, 2018. Handheld inkjet printer applies color graphics to all sorts of surfaces. (Year: 2018).*

* cited by examiner

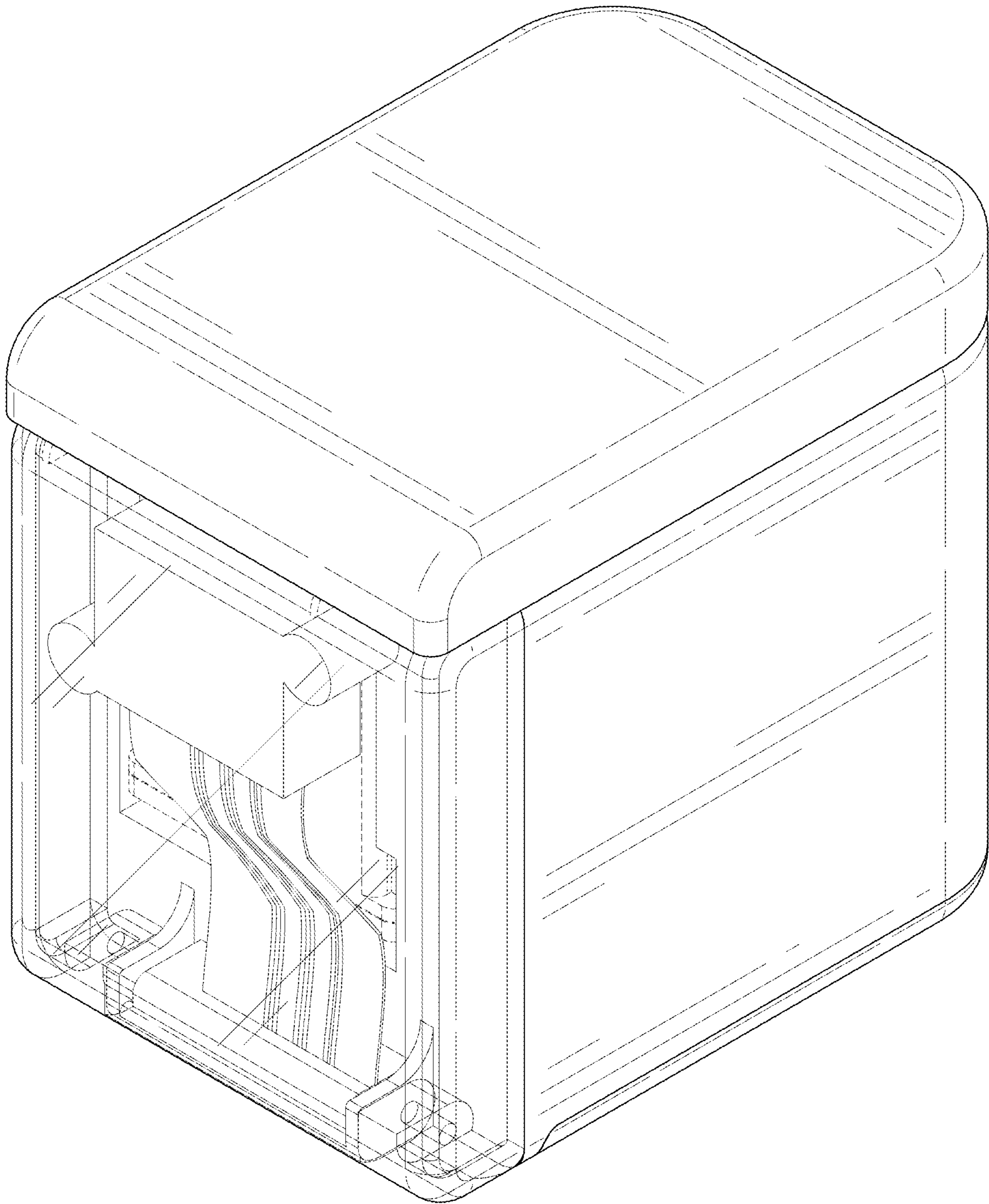


FIG. 1

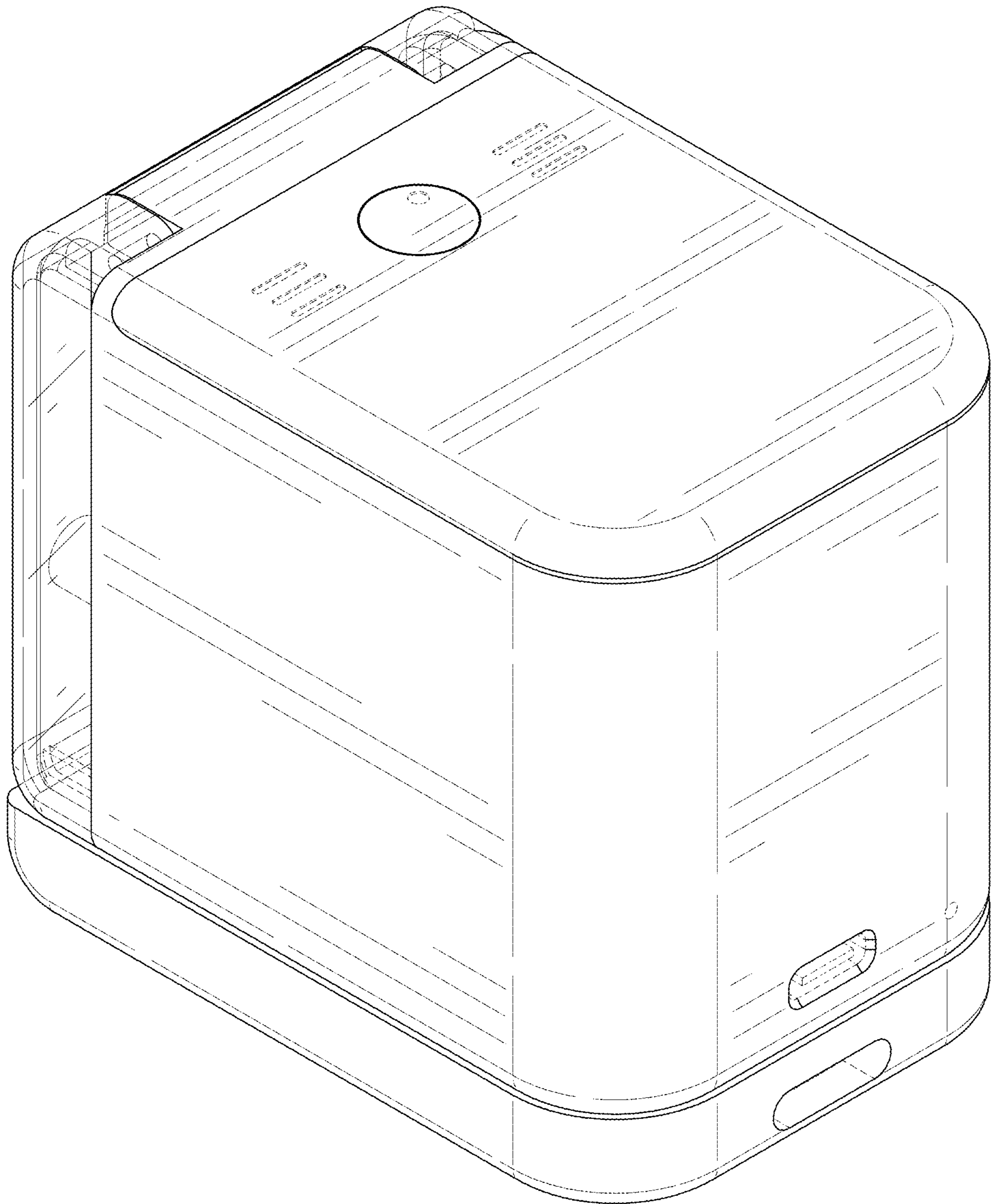


FIG. 2

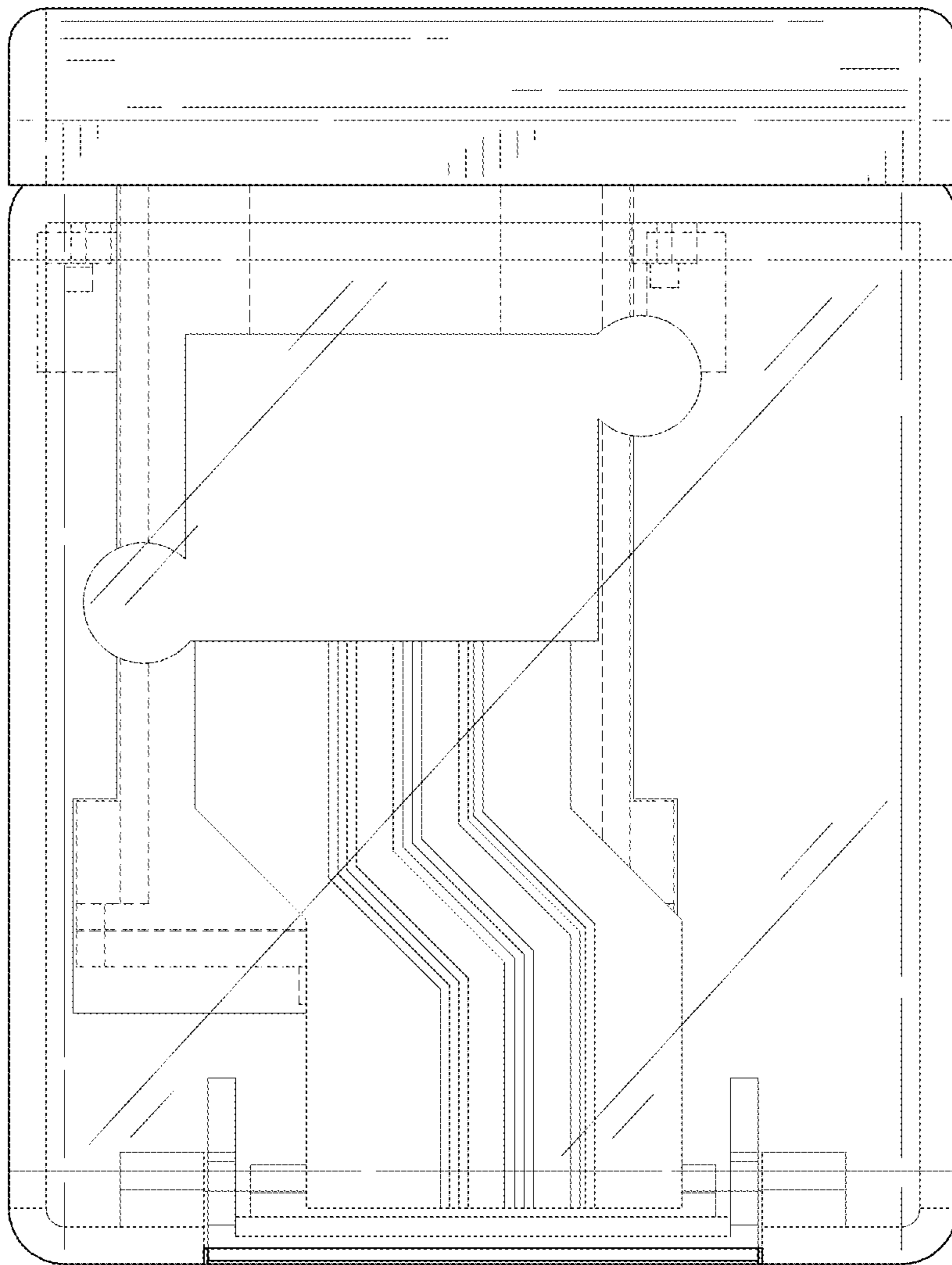


FIG. 3

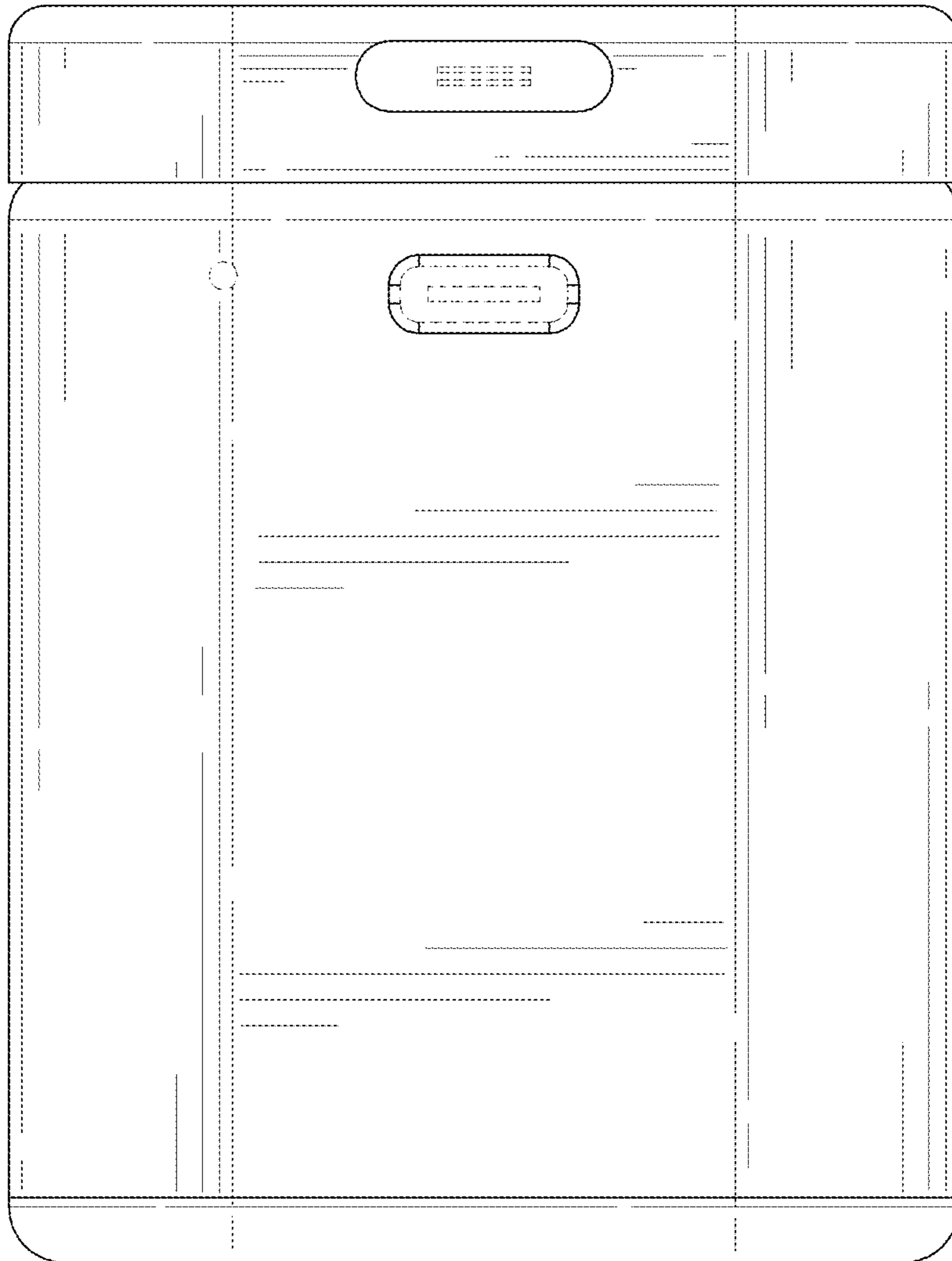


FIG. 4

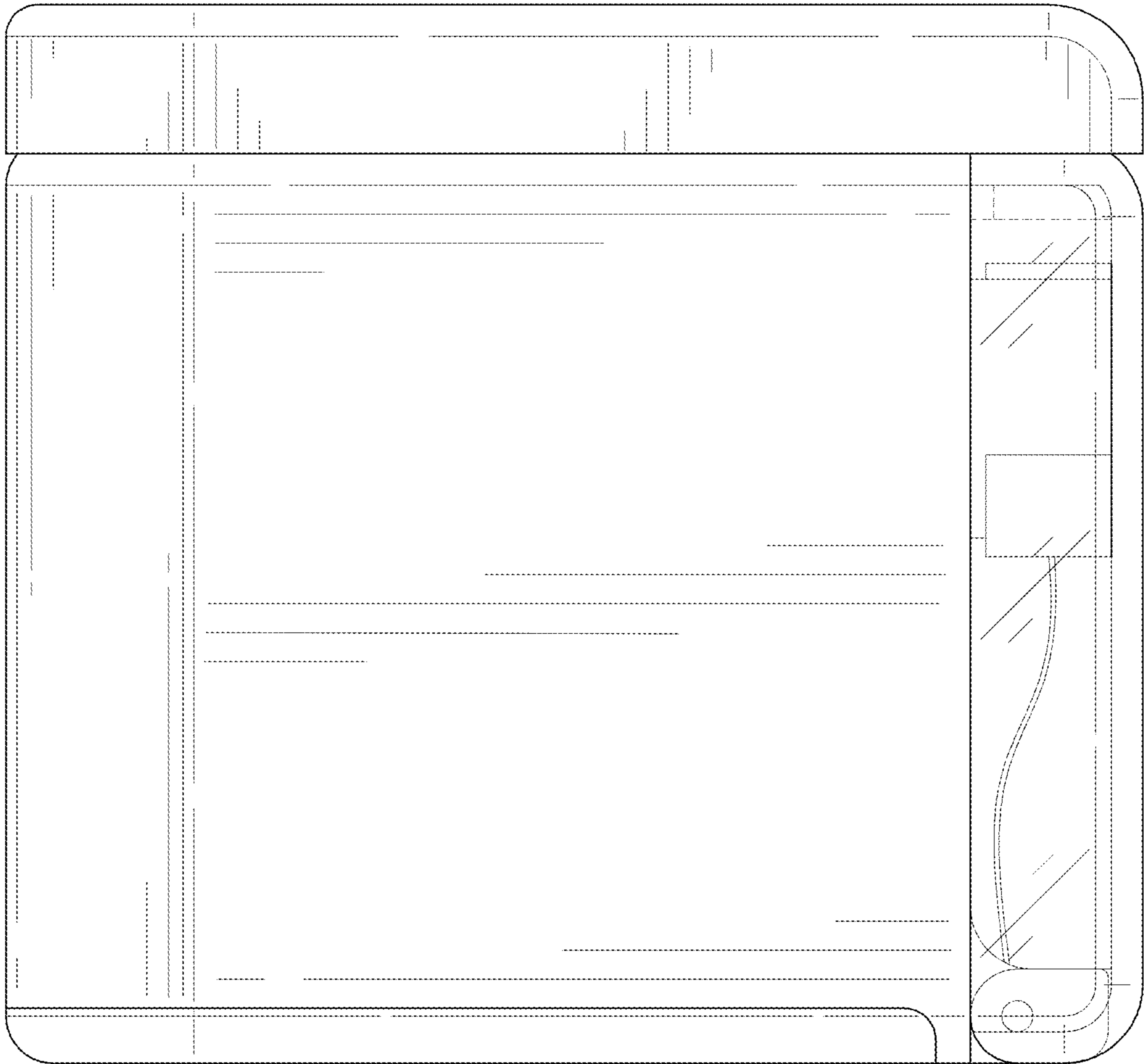


FIG. 5

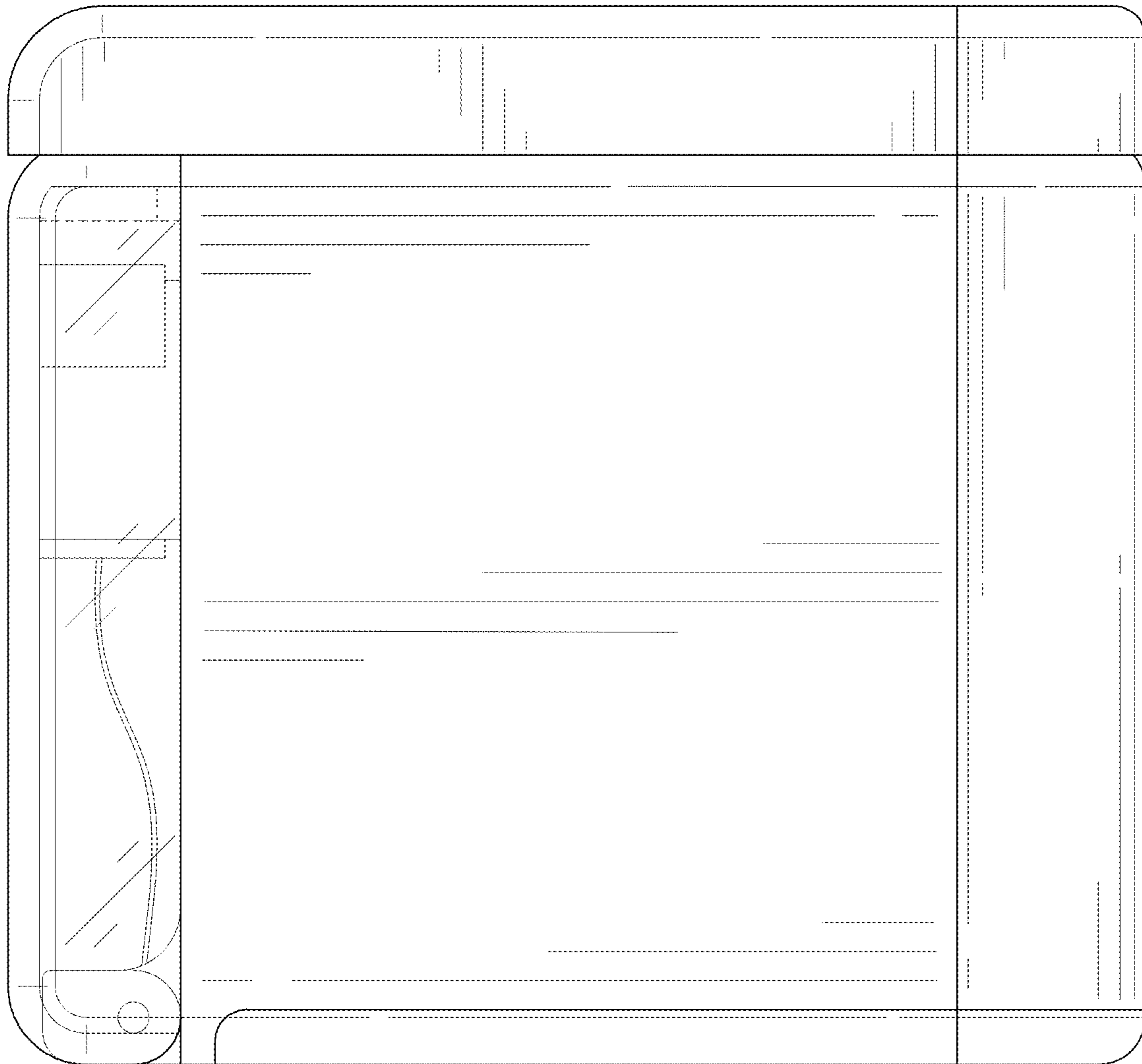


FIG. 6

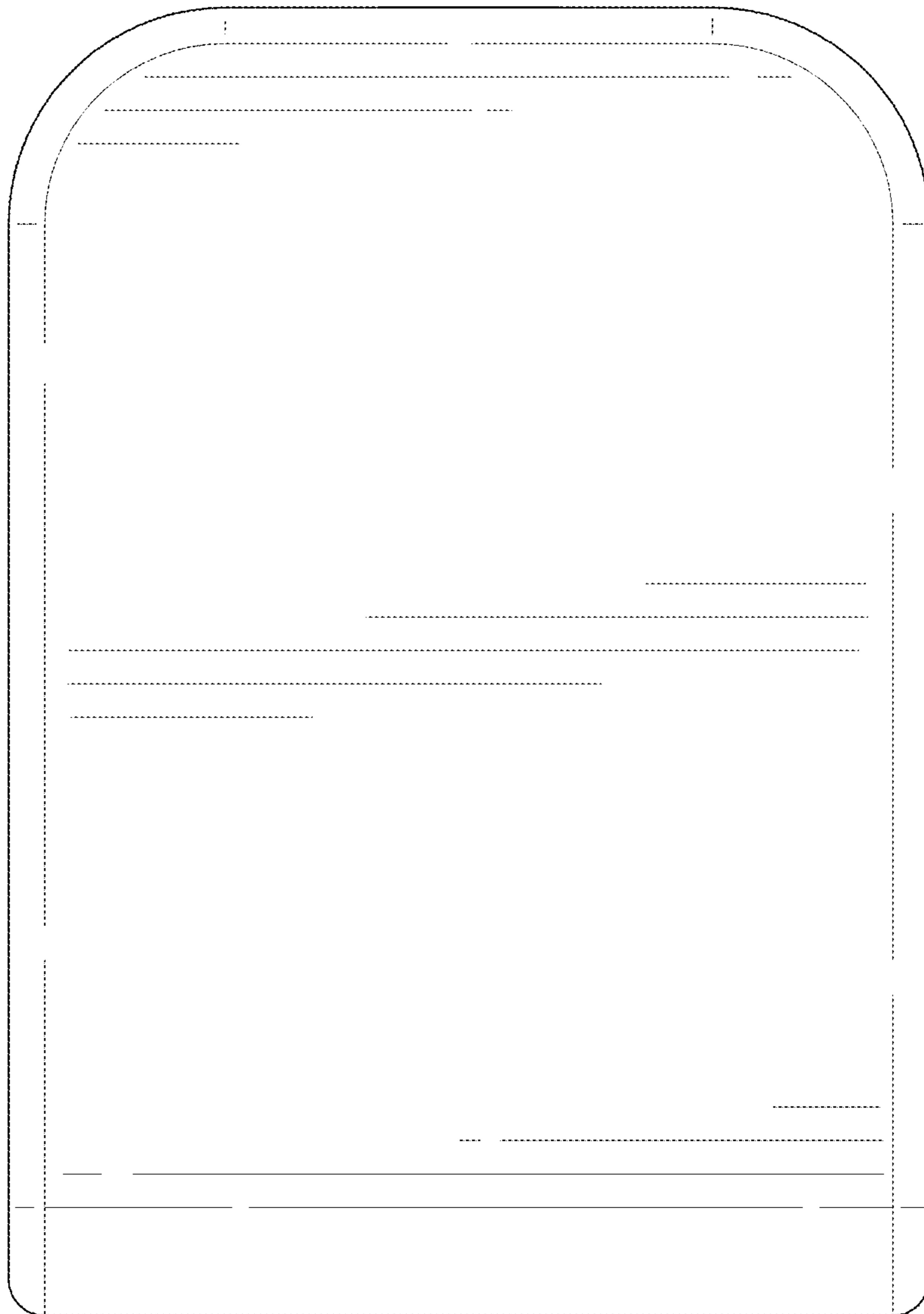


FIG. 7

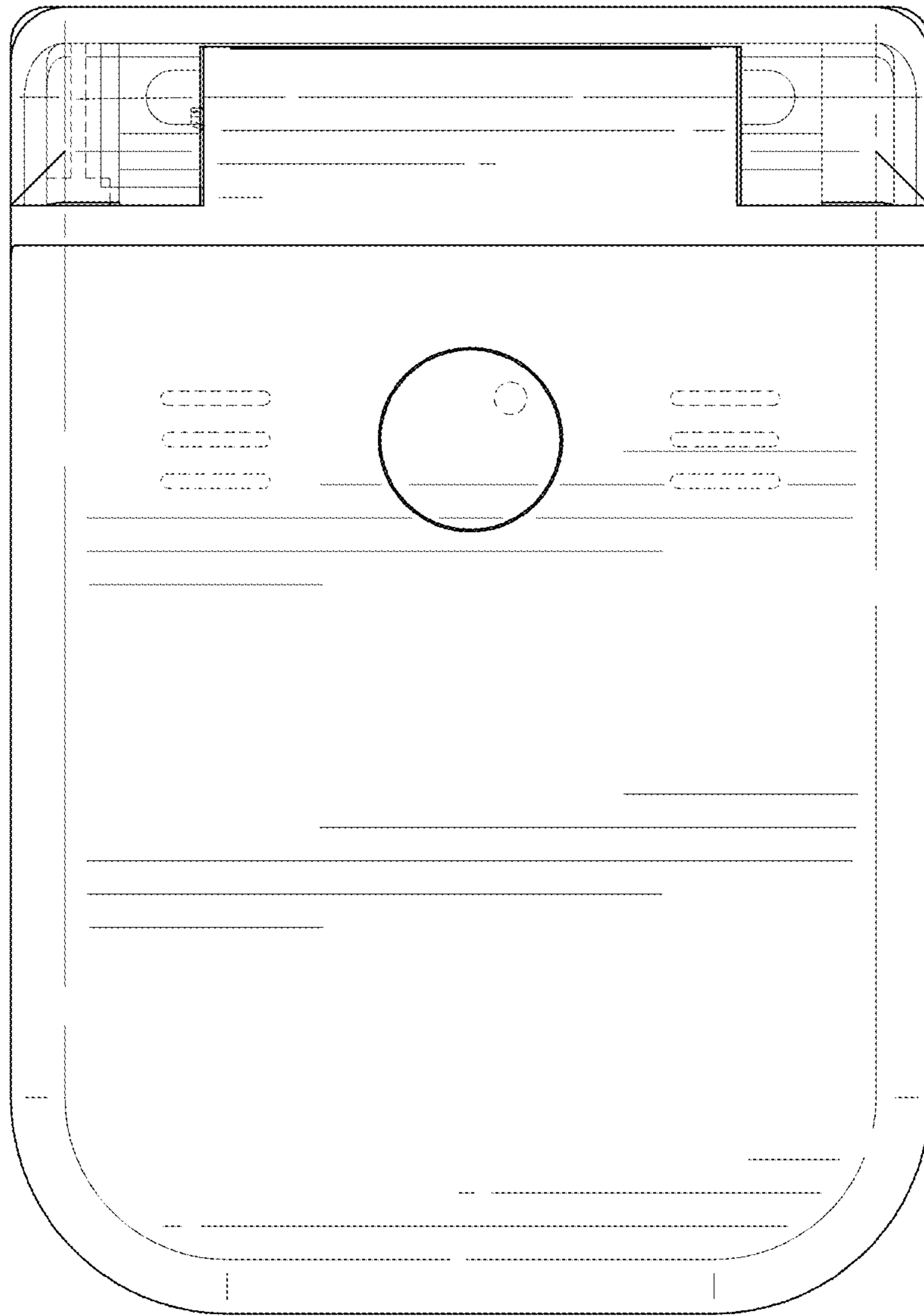


FIG. 8