



US00D889534S

(12) **United States Design Patent**  
**Welch et al.**

(10) **Patent No.:** **US D889,534 S**  
(45) **Date of Patent:** **\*\* Jul. 7, 2020**

(54) **DRUM HEAD TENSIONING BRACKET**

(71) Applicant: **WELCH TUNING SYSTEMS, INC.**,  
Englewood, CO (US)

(72) Inventors: **Samuel Justin Welch**, Englewood, CO  
(US); **Patrick B. Auell**, Morrison, CO  
(US)

(73) Assignee: **WELCH TUNING SYSTEMS, INC.**,  
Englewood, CO (US)

(\*\*) Term: **15 Years**

(21) Appl. No.: **29/663,575**

(22) Filed: **Sep. 17, 2018**

(51) **LOC (12) Cl.** ..... **17-04**

(52) **U.S. Cl.**  
USPC ..... **D17/22**

(58) **Field of Classification Search**  
USPC ..... D17/22, 99; D21/405, 406; D8/354  
CPC .... G10D 13/00; G10D 13/003; G10D 13/023;  
G10D 13/024; G10D 13/025; G10D  
13/026  
See application file for complete search history.

(56) **References Cited**

**U.S. PATENT DOCUMENTS**

422,742 A	3/1890	De Longe	
D216,049 S *	11/1969	Dreyer	D17/20
D250,222 S *	11/1978	Clark	D17/22
D279,103 S	6/1985	Ayotte	
4,709,613 A *	12/1987	Powers	G10D 13/023 84/411 A
5,684,258 A *	11/1997	Liao	G10D 13/00 224/910
D483,795 S	12/2003	Morgan et al.	
D506,918 S	7/2005	Nakajima	
7,888,575 B1	2/2011	Toscano	
7,943,840 B2 *	5/2011	Yoshino	G10D 13/026 84/421

D674,002 S	1/2013	Ginter	
D703,261 S *	4/2014	Hudson	D17/22
D765,766 S	9/2016	Steinberger	
D787,585 S	5/2017	Allen	
D817,386 S	5/2018	Graham	
D832,336 S	10/2018	Suzuki	
2010/0269669 A1	10/2010	O'Connor	
2015/0243268 A1 *	8/2015	Miyajima	G10D 13/026 84/421

(Continued)

**OTHER PUBLICATIONS**

Non-Final Office Action dated Aug. 16, 2019 for U.S. Appl. No. 16/120,866 in 7 pages.

(Continued)

*Primary Examiner* — R. Johnson

(74) *Attorney, Agent, or Firm* — Stephen Katsaros

(57) **CLAIM**

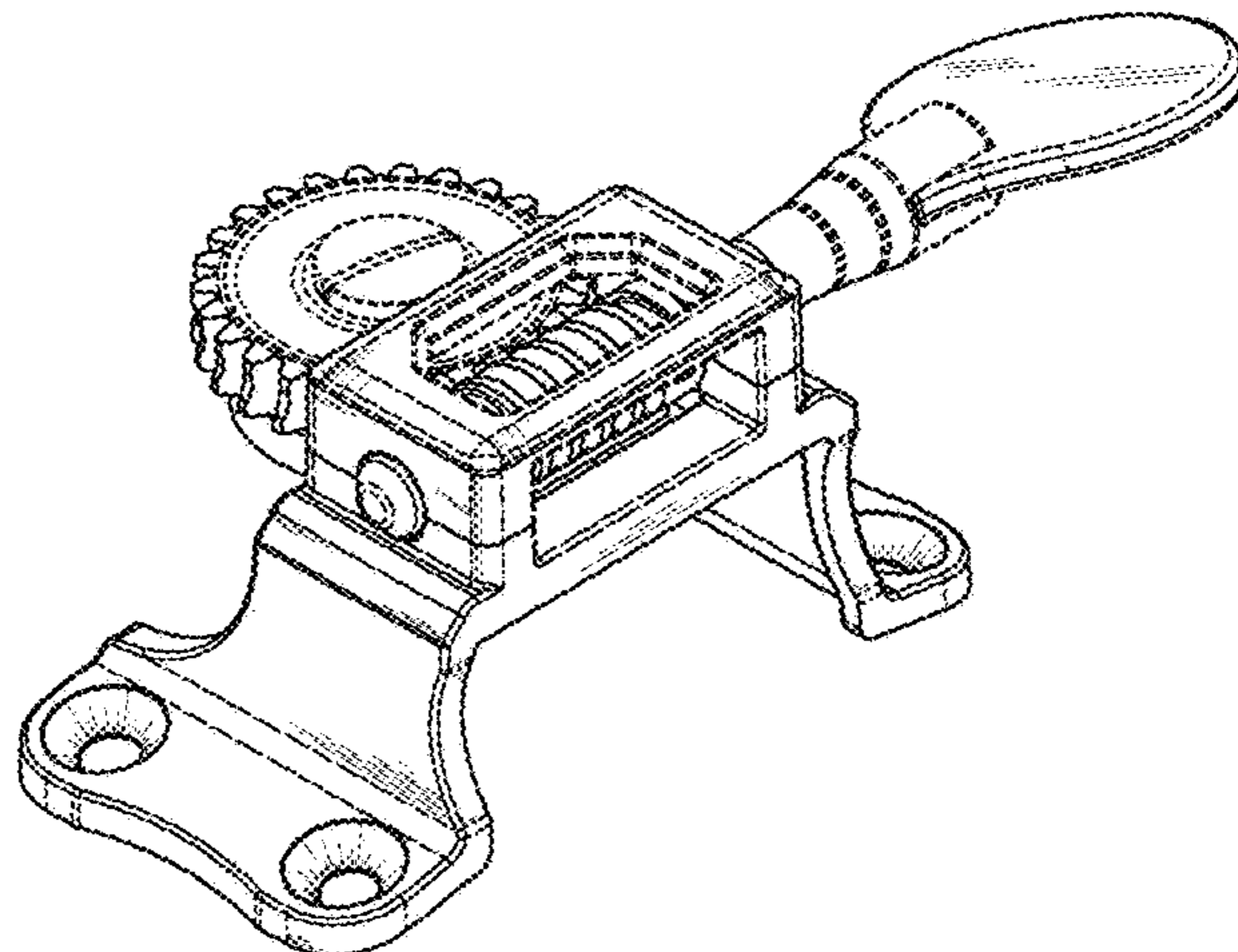
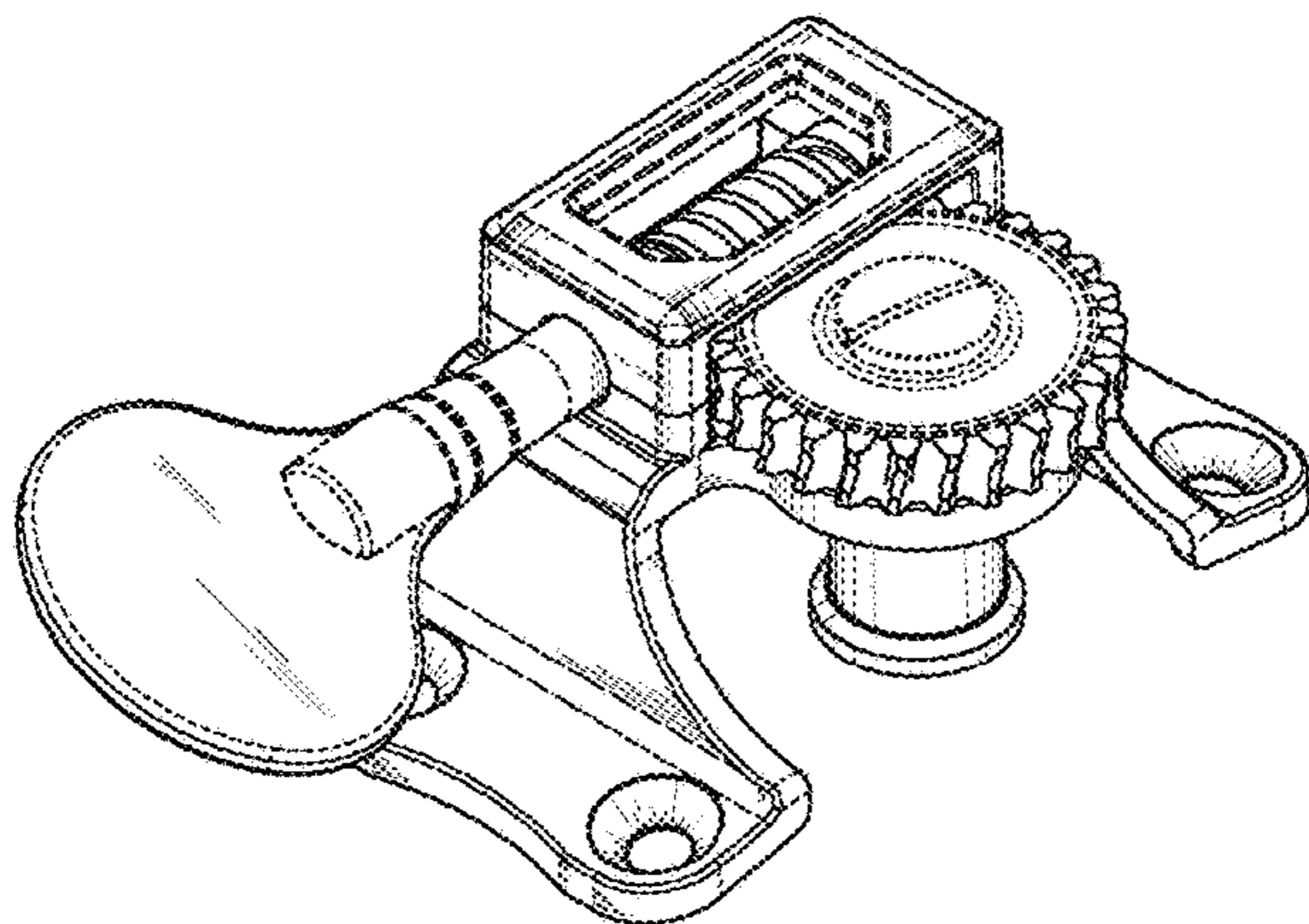
The ornamental design for a drum head tensioning bracket, as shown and described.

**DESCRIPTION**

FIG. 1 is a perspective front, left and bottom view of a drum head tensioning bracket showing our new design; FIG. 2 is a perspective front, right and top view thereof; FIG. 3 is a front view thereof; FIG. 4 is a back view thereof; FIG. 5 is a bottom view thereof; FIG. 6 is a top view thereof; FIG. 7 is a left view thereof; FIG. 8 is a right view thereof; FIG. 9 is the top view of FIG. 6 including reference line 10-10; and, FIG. 10 is a cross-sectional view taken along line 10-10 in FIG. 9.

The elements shown in broken lines are for illustrative purposes only and form no part of the claimed design.

**1 Claim, 5 Drawing Sheets**



(56)

**References Cited**

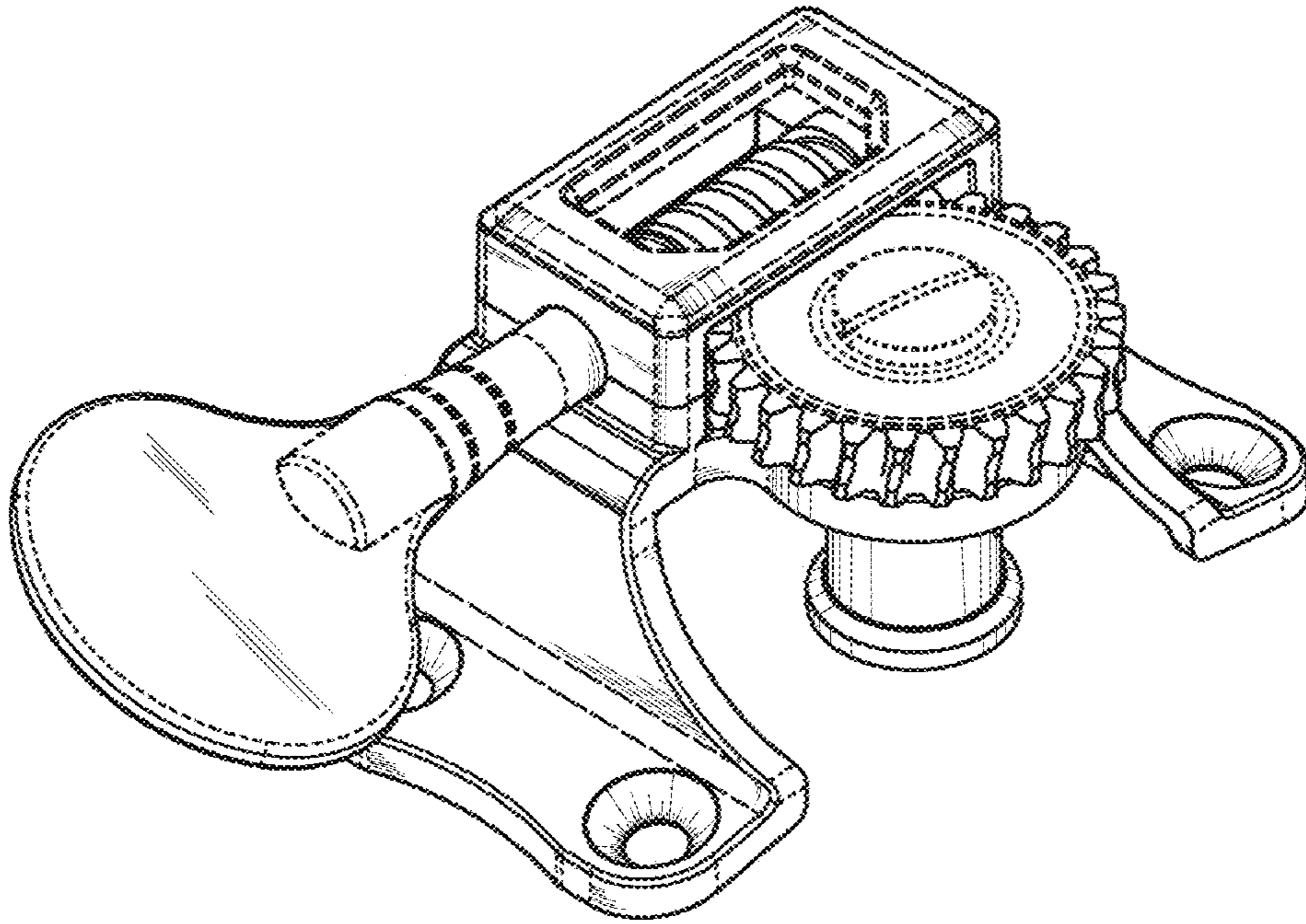
U.S. PATENT DOCUMENTS

2016/0240175 A1 8/2016 Bedson  
2019/0088236 A1\* 3/2019 Welch ..... G10D 13/023

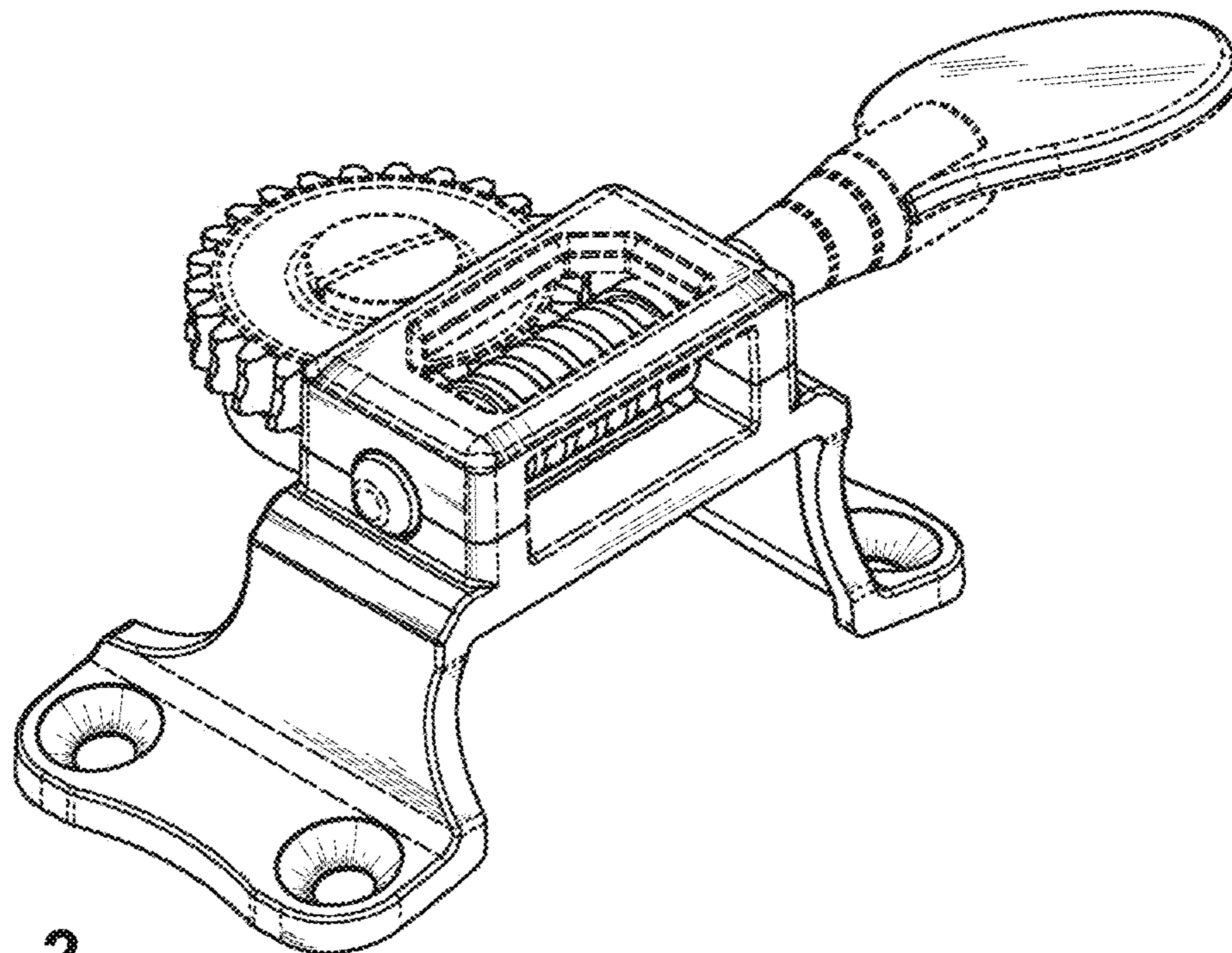
OTHER PUBLICATIONS

International Search Report and Written Opinion from International  
Patent Application No. PCT/US2018/049350 dated Nov. 15, 2018  
in 8 pages.

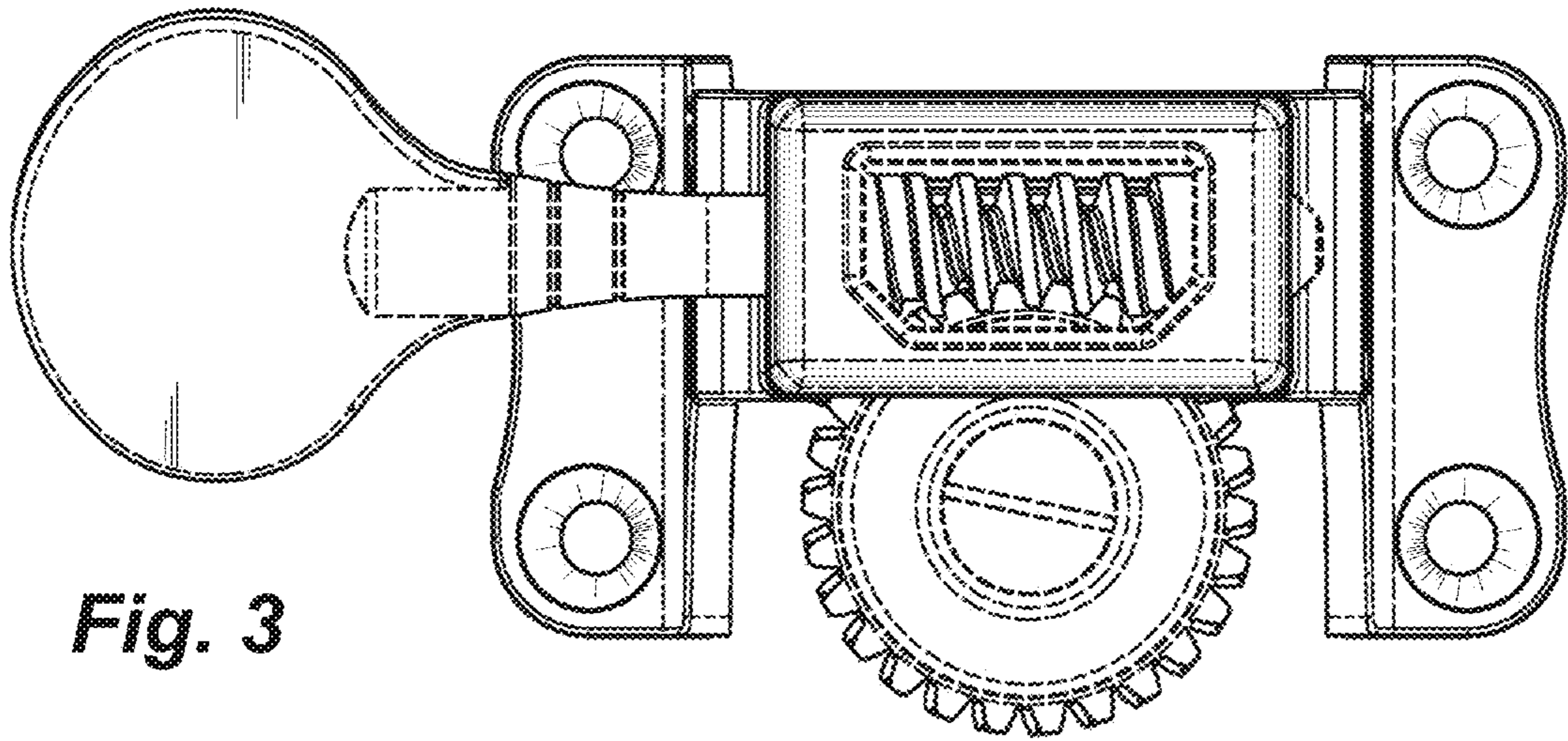
\* cited by examiner



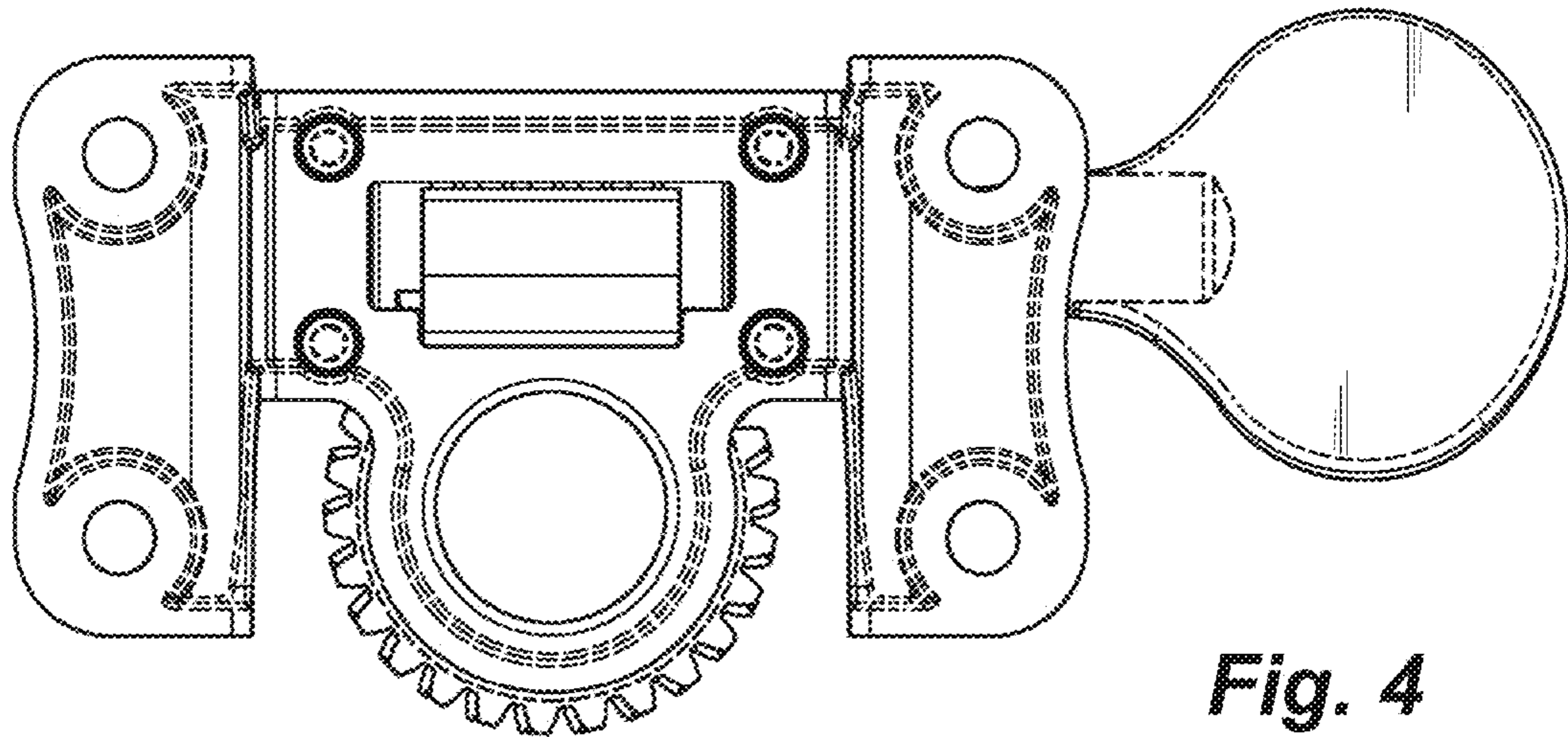
*Fig. 1*



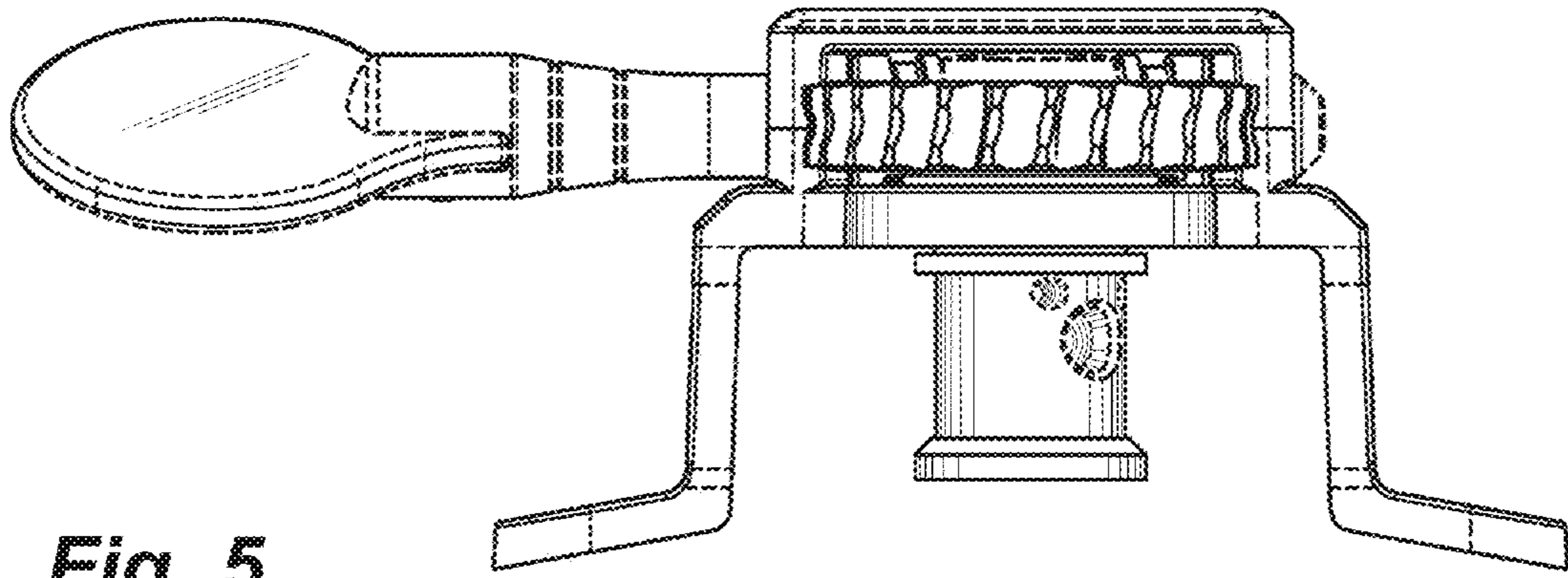
*Fig. 2*



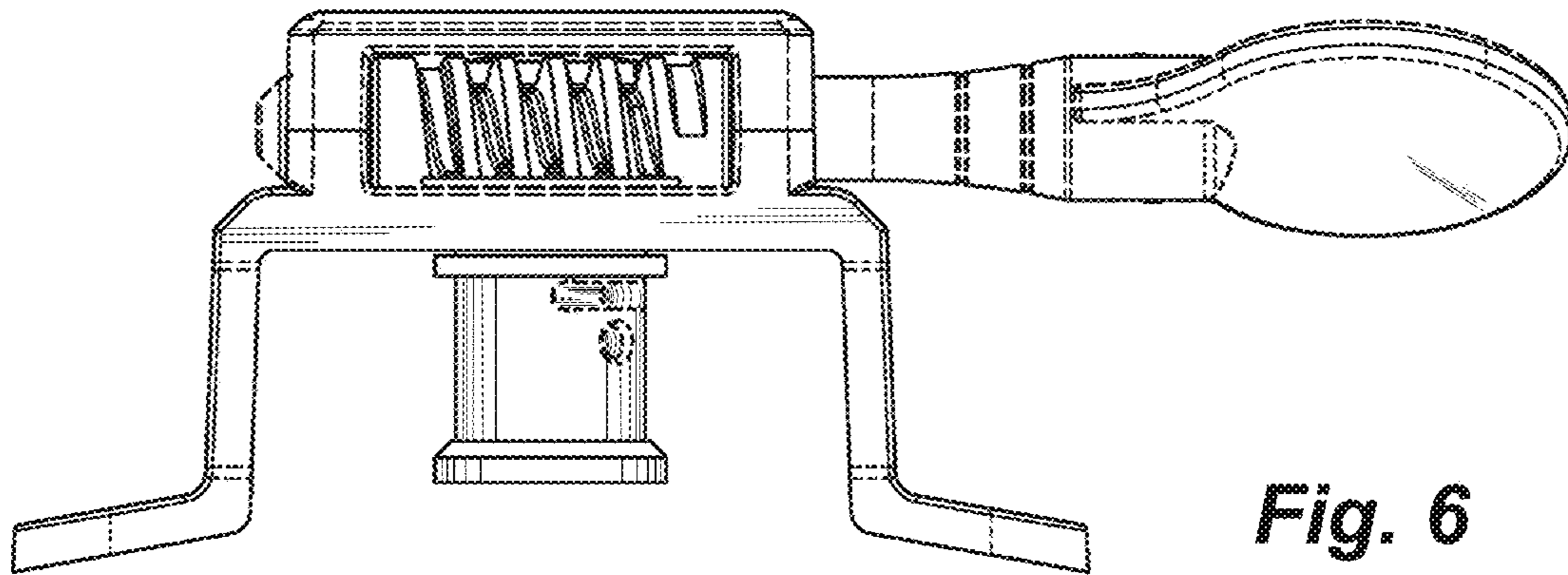
**Fig. 3**



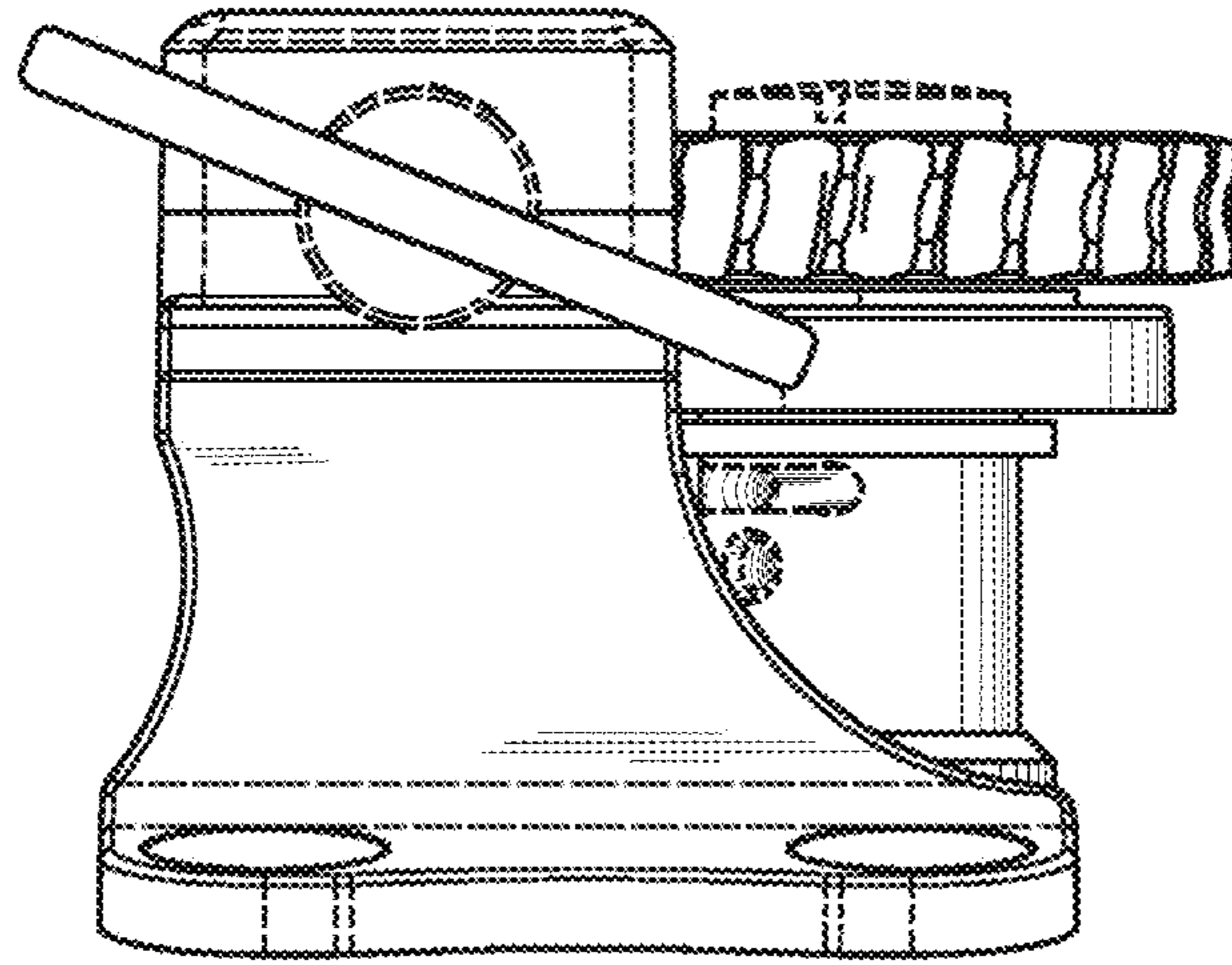
**Fig. 4**



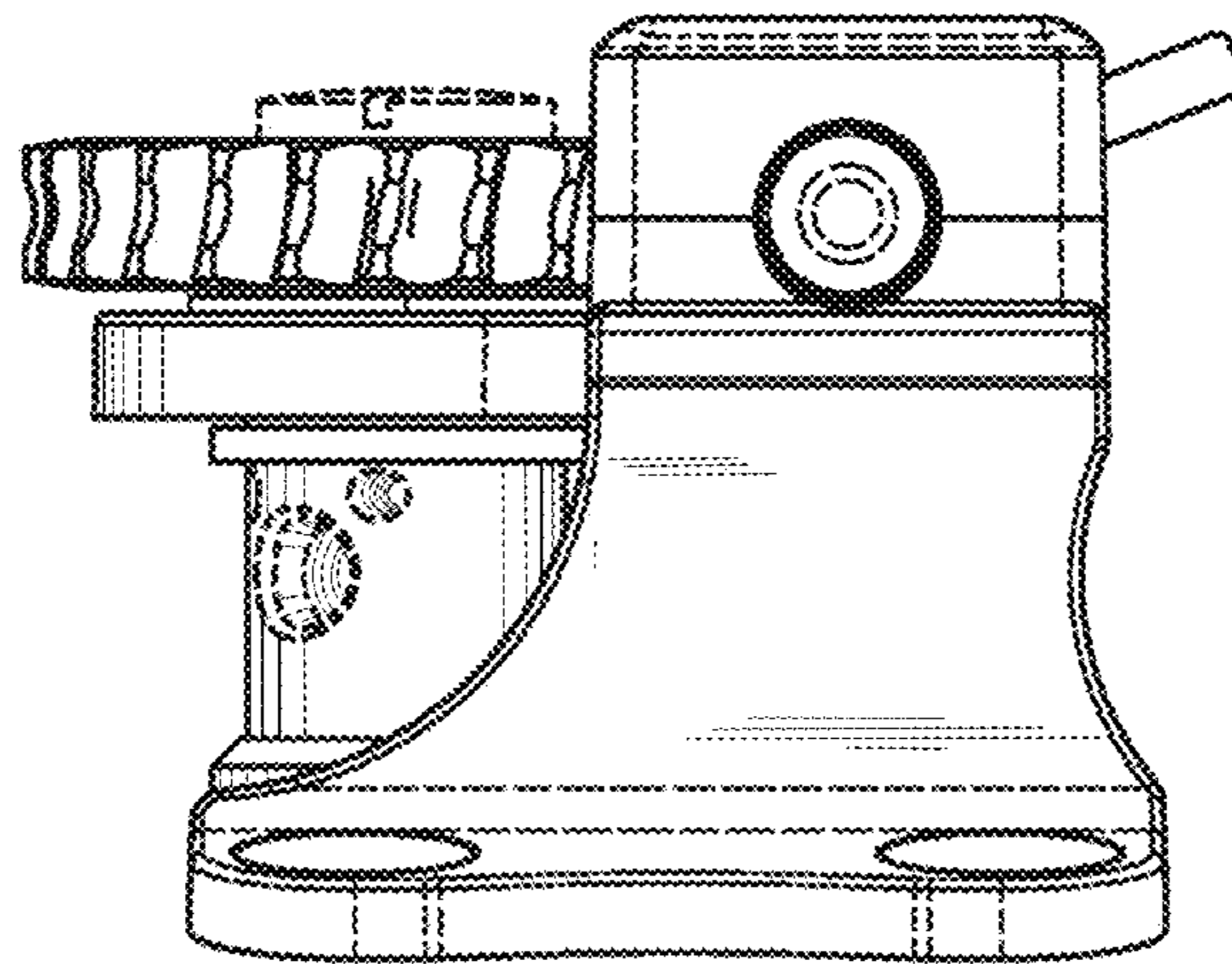
**Fig. 5**



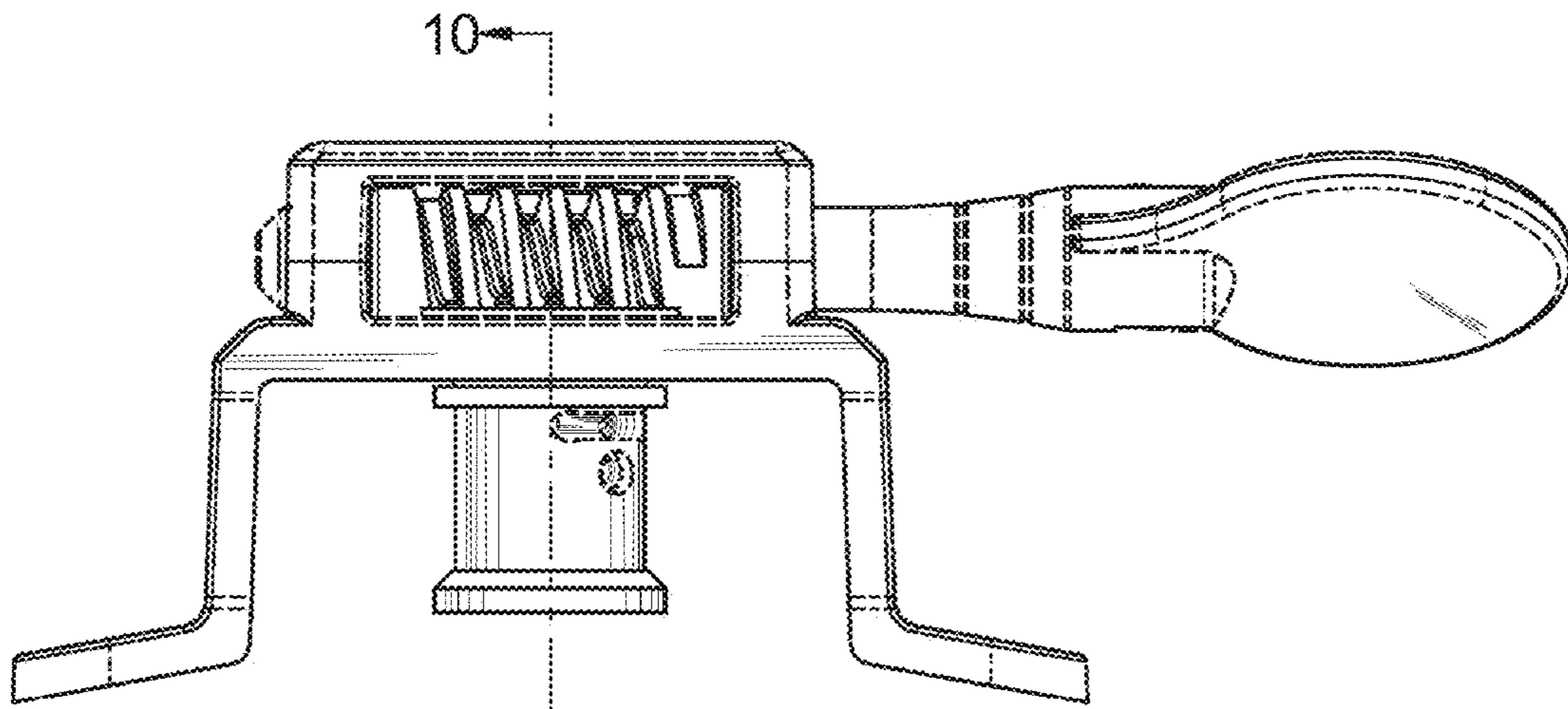
**Fig. 6**



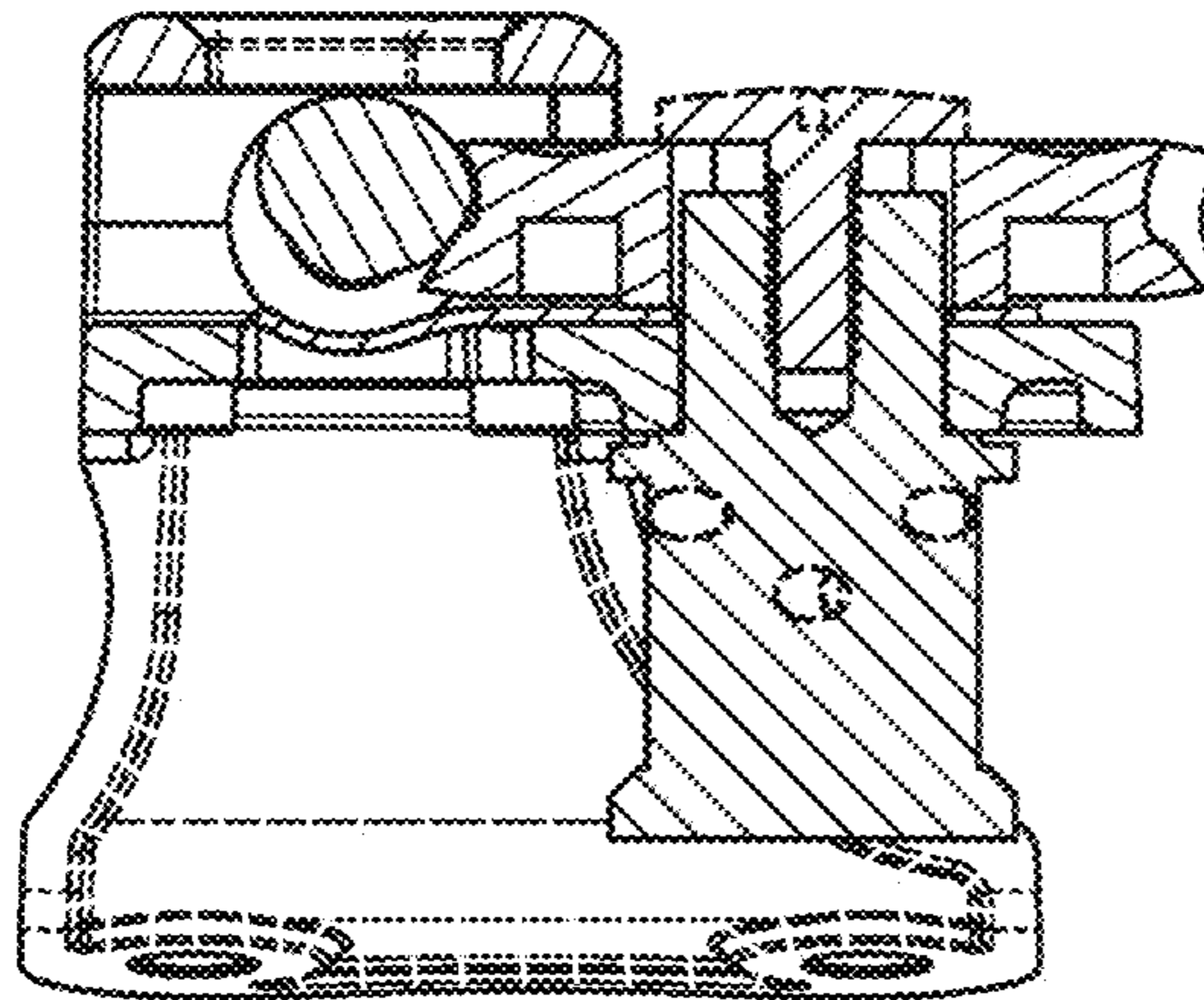
*Fig. 7*



*Fig. 8*



10  
**Fig. 9**



**Fig. 10**