



US00D889531S

(12) **United States Design Patent** (10) **Patent No.:** **US D889,531 S**  
**Canales et al.** (45) **Date of Patent:** **\*\* Jul. 7, 2020**

(54) **SPORT EYEGLASSES WITH TEMPLES AND NOSE PADS**

FOREIGN PATENT DOCUMENTS

(71) Applicant: **ROKA Sports, Inc.**, Austin, TX (US)

DE 3707297 A1 9/1988  
DE 4019085 A1 5/1991

(Continued)

(72) Inventors: **Robert Allen Canales**, Austin, TX (US); **Kurt Robert Spenser**, Austin, TX (US); **Tobin Rohrbach**, Austin, TX (US); **James Donald Oman**, Austin, TX (US); **David S. Ginther**, Austin, TX (US); **John Brandon Currie**, Austin, TX (US); **Steven Oldham**, Austin, TX (US); **Eric Baptiste Suburu**, Austin, TX (US); **Mark Niiro**, Austin, TX (US); **Jonathan McCann**, Austin, TX (US); **Mark Stephens**, Austin, TX (US)

OTHER PUBLICATIONS

Co-pending U.S. Appl. No. 16/157,972, filed Oct. 11, 2018.

(Continued)

*Primary Examiner* — Cathron C Brooks

*Assistant Examiner* — Sharon S Oum

(74) *Attorney, Agent, or Firm* — Clearpat Services, LLC

(73) Assignee: **Roka Sports, Inc.**, Austin, TX (US)

(57) **CLAIM**

The ornamental design for sport eyeglasses with temples and nose pads, as shown and described.

(\*\*) Term: **15 Years**

(21) Appl. No.: **29/658,437**

**DESCRIPTION**

(22) Filed: **Jul. 31, 2018**

**Related U.S. Application Data**

(62) Division of application No. 29/616,066, filed on Sep. 1, 2017, now Pat. No. Des. 837,871.

(51) **LOC (12) Cl.** ..... **16-06**

(52) **U.S. Cl.**  
USPC ..... **D16/330**

(58) **Field of Classification Search**  
USPC ..... D16/100, 101, 300–329, 330, 332–342;  
D29/106, 107, 110

(Continued)

(56) **References Cited**

U.S. PATENT DOCUMENTS

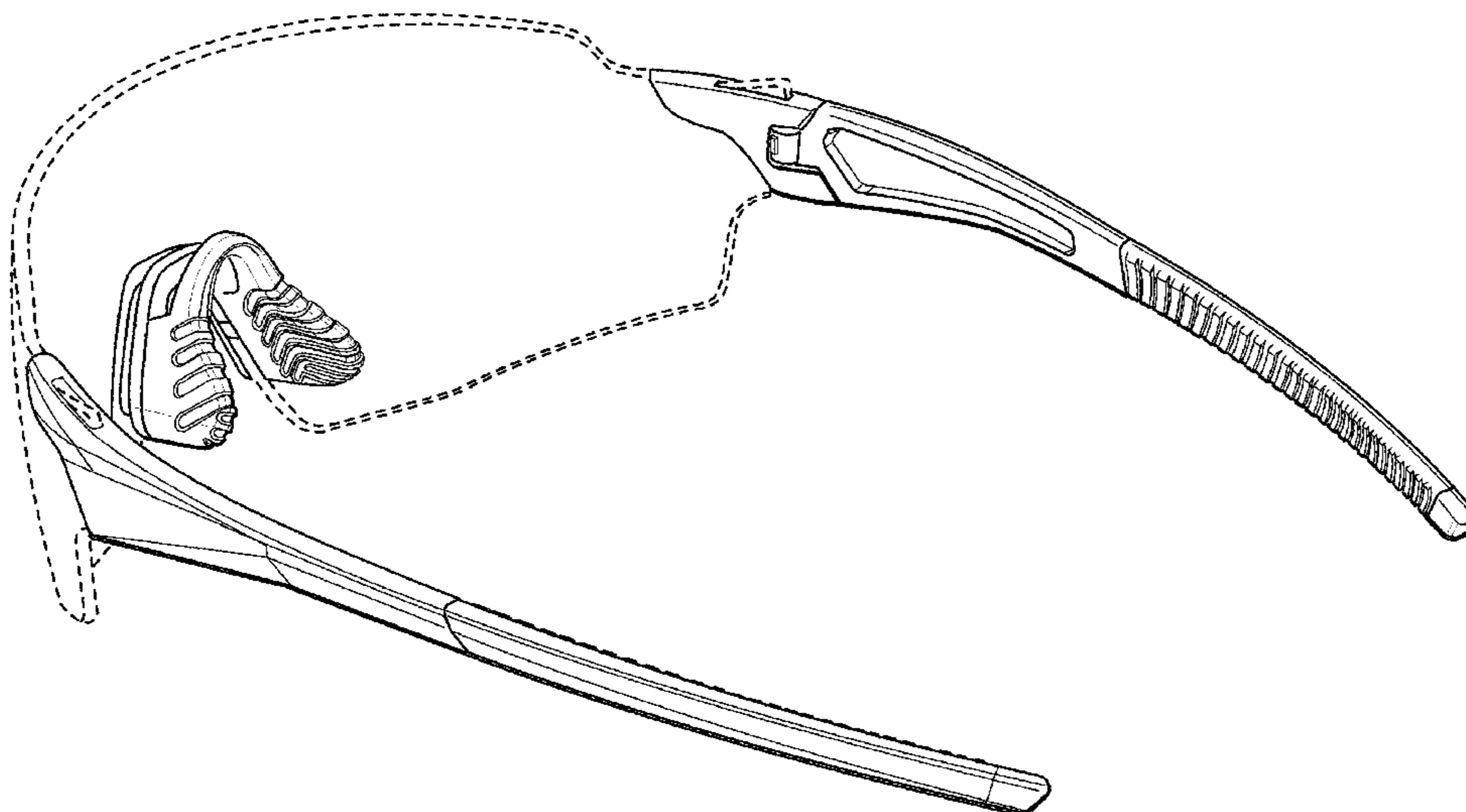
4,732,464 A 3/1988 Bononi  
4,802,754 A 2/1989 Neef

(Continued)

FIG. 1 is a perspective view of sport eyeglasses with temples and nose pads, showing our new design;  
FIG. 2 is a top plan view of the sport eyeglasses with temples and nose pads;  
FIG. 3 is a front elevation view of the sport eyeglasses with temples and nose pads;  
FIG. 4 is a right side elevation view of the sport eyeglasses with temples and nose pads;  
FIG. 5 is a left side elevation view of the sport eyeglasses with temples and nose pads;  
FIG. 6 is a rear elevation view of the sport eyeglasses with temples and nose pads; and,  
FIG. 7 is a bottom plan view of the sport eyeglasses with temples and nose pads.

The broken lines in the drawings represent portions of the sport eyeglasses with temples and nose pads that form no part of the claimed design.

**1 Claim, 5 Drawing Sheets**



(58) **Field of Classification Search**  
 CPC ... G02C 5/00; G02C 5/02; G02C 5/10; G02C  
 5/14; G02C 5/16  
 See application file for complete search history.

(56) **References Cited**

U.S. PATENT DOCUMENTS

4,924,245 A 5/1990 Dianitsch  
 4,964,716 A 10/1990 Combs  
 D330,035 S 10/1992 Jannard  
 D330,903 S 11/1992 Jannard  
 D342,959 S 1/1994 Jannard  
 D344,742 S 3/1994 Jannard  
 D350,759 S 9/1994 Lanna et al.  
 5,457,506 A 10/1995 Winkler  
 D366,056 S 1/1996 Wolfe  
 5,646,707 A 7/1997 Arnette  
 D385,897 S 11/1997 Lin  
 D386,777 S 11/1997 Hall et al.  
 D399,519 S 10/1998 Yee  
 D416,276 S 11/1999 Chiu  
 6,056,399 A 5/2000 Jannard et al.  
 6,059,408 A 5/2000 Bonacci  
 D426,254 S \* 6/2000 Nishimura ..... D16/314  
 6,283,594 B1 9/2001 Hamano  
 D462,081 S 8/2002 Wolfe  
 6,513,925 B1 2/2003 Bonacci  
 6,554,422 B2 4/2003 Bell et al.  
 D475,733 S 6/2003 Lee  
 6,644,806 B2 11/2003 Wu  
 D485,856 S 1/2004 Wolfe  
 D502,494 S 3/2005 Yang  
 6,929,364 B1 8/2005 Jannard  
 D516,111 S 2/2006 Teng  
 D518,083 S 3/2006 Teng  
 D518,084 S 3/2006 Teng  
 D540,368 S 4/2007 Yang  
 D549,763 S 8/2007 Daems et al.  
 D550,755 S 9/2007 Fuchs  
 D550,758 S 9/2007 Cheng  
 D552,663 S 10/2007 Cheng  
 D555,707 S 11/2007 Hou  
 D555,708 S 11/2007 Cheng  
 D559,888 S 1/2008 Yang  
 7,347,545 B1 3/2008 Jannard et al.  
 D565,639 S 4/2008 Estrem  
 D569,412 S 5/2008 Jannard et al.  
 D575,325 S 8/2008 Wu  
 7,452,068 B2 11/2008 Collier et al.  
 D583,852 S 12/2008 Chen  
 7,484,843 B1 2/2009 Lin  
 D591,329 S 4/2009 Wang  
 D595,757 S 7/2009 Yang  
 D609,736 S 2/2010 Wang  
 D611,980 S 3/2010 Chen  
 D614,226 S 4/2010 Fulton et al.  
 D614,359 S 4/2010 Gleason et al.  
 D615,578 S 5/2010 Pulito et al.  
 D617,364 S 6/2010 Chou  
 D619,160 S \* 7/2010 Sheldon ..... D16/309  
 D623,218 S 9/2010 Wong et al.  
 D625,351 S 10/2010 Wong et al.  
 D637,643 S 5/2011 Lebel  
 D640,314 S 6/2011 Yang  
 D641,391 S 7/2011 Sheldon  
 D651,641 S 1/2012 Fulton

D651,642 S 1/2012 Fuchs  
 D652,858 S 1/2012 Lamontagne  
 D659,180 S 5/2012 Moritz  
 D659,746 S 5/2012 Chen  
 8,403,477 B2 3/2013 Ogren  
 D679,313 S 4/2013 Bachelder  
 D683,784 S 6/2013 Miera  
 D690,762 S 10/2013 Yang  
 D694,312 S 11/2013 Mage  
 D695,336 S 12/2013 Wang  
 D727,399 S 4/2015 Markovitz et al.  
 D727,400 S \* 4/2015 Blanchard ..... D16/314  
 D730,434 S 5/2015 Chen  
 D735,794 S 8/2015 Markovitz et al.  
 D740,347 S 10/2015 Corcoran  
 D757,156 S 5/2016 Wu  
 D765,765 S 9/2016 Clegg  
 D770,560 S 11/2016 Shin  
 D775,685 S 1/2017 Rouayroux et al.  
 D777,827 S 1/2017 Chen  
 D783,080 S 4/2017 Garfias  
 D797,183 S 9/2017 Flake et al.  
 D798,375 S 9/2017 Flake et al.  
 D809,056 S 1/2018 Flake et al.  
 D837,871 S \* 1/2019 Canales ..... D16/314  
 D849,825 S \* 5/2019 Canales ..... D16/314  
 10,394,049 B2 \* 8/2019 Canales ..... G02C 5/143  
 D871,497 S \* 12/2019 Canales ..... D16/335  
 2007/0236649 A1 10/2007 Lin  
 2008/0074610 A1 3/2008 Tackles  
 2008/0170200 A1 7/2008 Chen  
 2014/0340628 A1 11/2014 Huang  
 2015/0002805 A1 \* 1/2015 Chen ..... G02C 1/04  
 351/121  
 2015/0314167 A1 11/2015 Shiue  
 2017/0100287 A1 4/2017 Calilung et al.  
 2018/0008467 A1 1/2018 Cater et al.  
 2018/0031862 A1 2/2018 Li  
 2018/0329226 A1 \* 11/2018 Lussier ..... G02C 5/02  
 2019/0107732 A1 \* 4/2019 Canales ..... G02C 1/02

FOREIGN PATENT DOCUMENTS

EP 0239659 B1 1/1992  
 FR 2631464 A1 11/1989  
 FR 2770309 A1 4/1999  
 JP S61126225 U 8/1986  
 JP S63122322 U 8/1988  
 JP H0192627 U 6/1989  
 JP H0329629 U 3/1991  
 JP 4944087 B2 5/2012  
 WO WO-03062904 A1 7/2003  
 WO WO-2012033691 A1 3/2012

OTHER PUBLICATIONS

Co-pending U.S. Appl. No. 29/616,066, filed Sep. 1, 2017.  
 Co-pending U.S. Appl. No. 29/640,311, filed Mar. 13, 2018.  
 Co-pending U.S. Appl. No. 29/640,312, filed Mar. 13, 2018.  
 Co-pending U.S. Appl. No. 29/642,302, filed Mar. 28, 2018.  
 Co-pending U.S. Appl. No. 29/643,339, filed Apr. 6, 2018.  
 Co-pending U.S. Appl. No. 29/643,342, filed Apr. 6, 2018.  
 U.S. Appl. No. 29/562,636 Office Action dated Jun. 30, 2017.  
 U.S. Appl. No. 29/562,638 Ex Parte Quayle dated Apr. 6, 2017.  
 U.S. Appl. No. 29/562,643 Office Action dated Apr. 20, 2017.  
 U.S. Appl. No. 29/616,066 Ex Parte Quayle dated Jul. 11, 2018.

\* cited by examiner

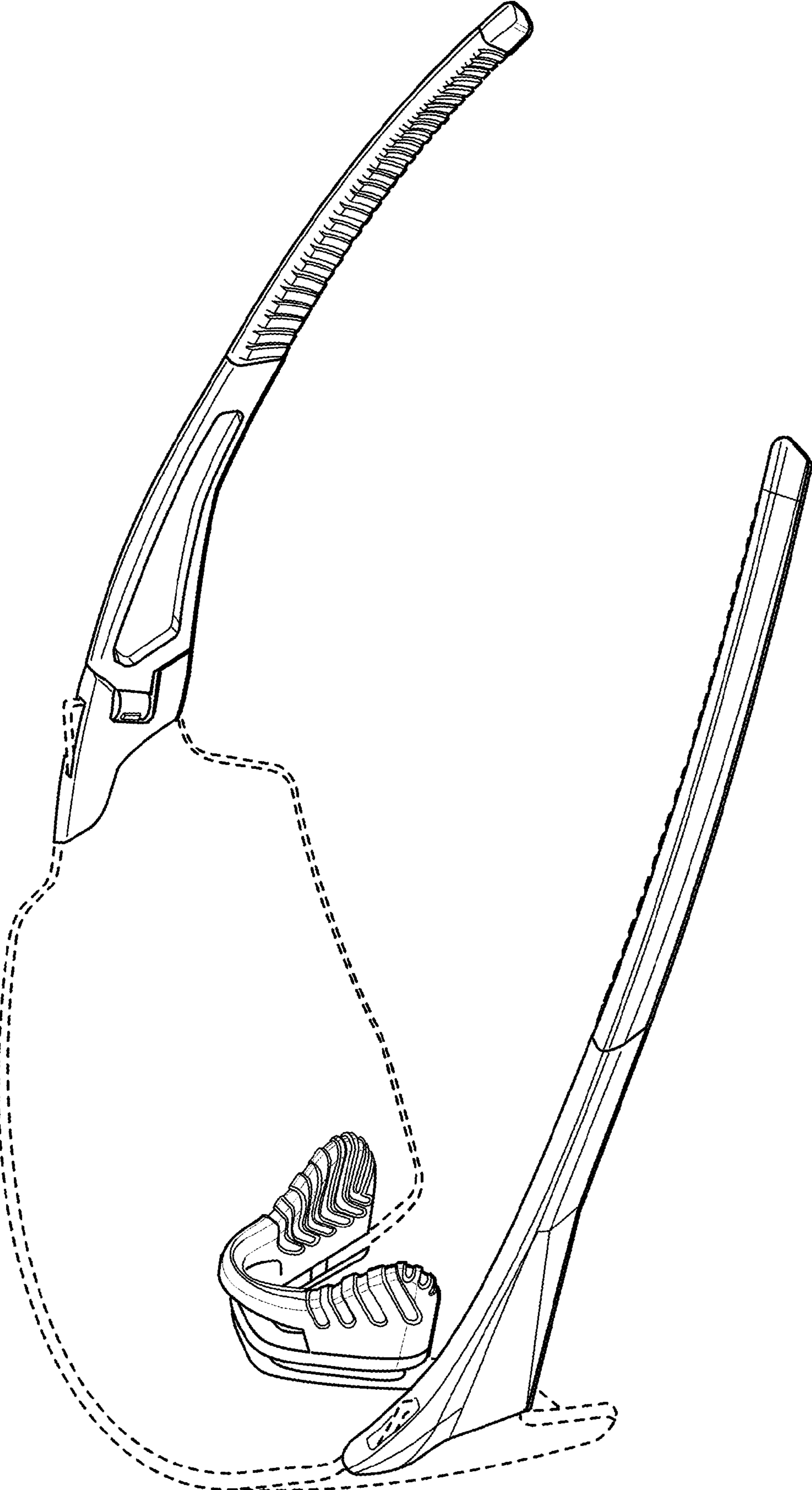
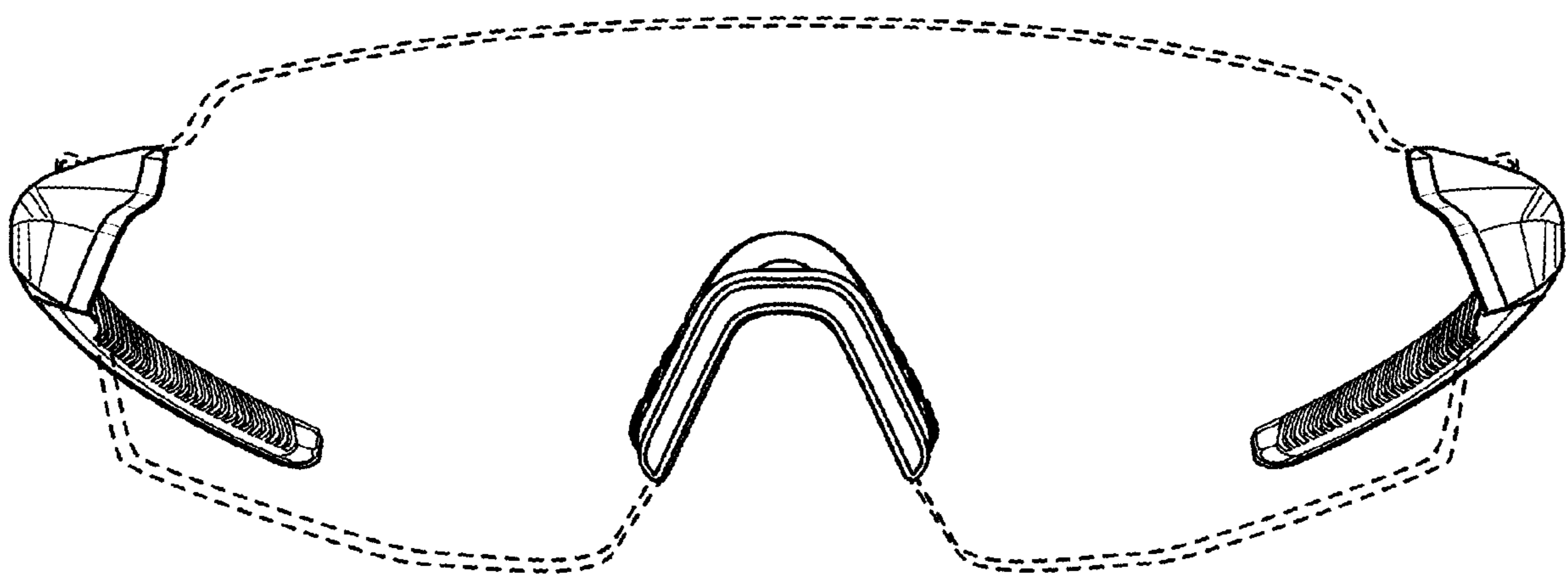


FIG. 1



FIG. 2



**FIG. 3**

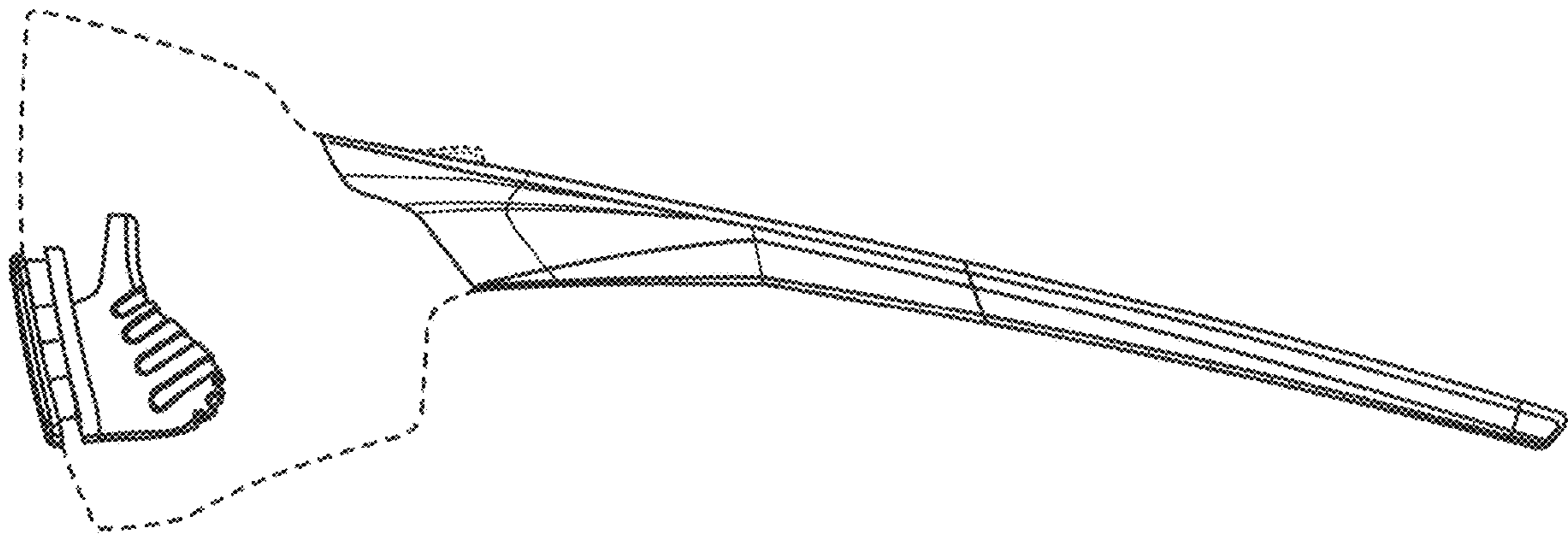


FIG. 4

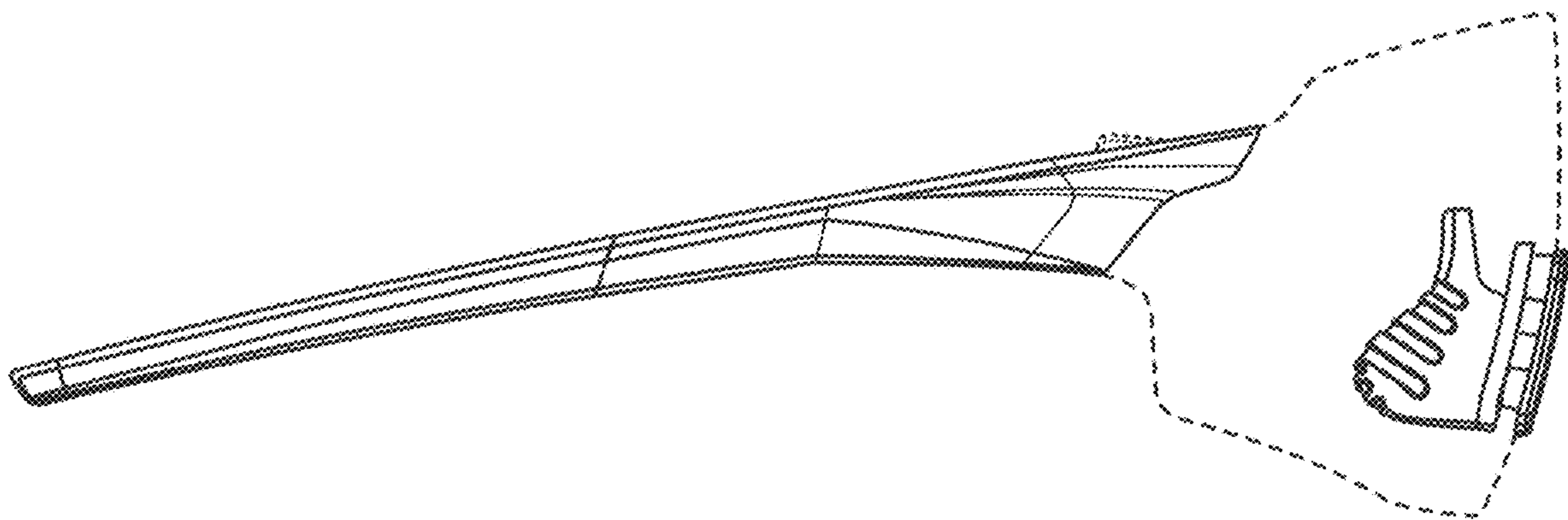


FIG. 5

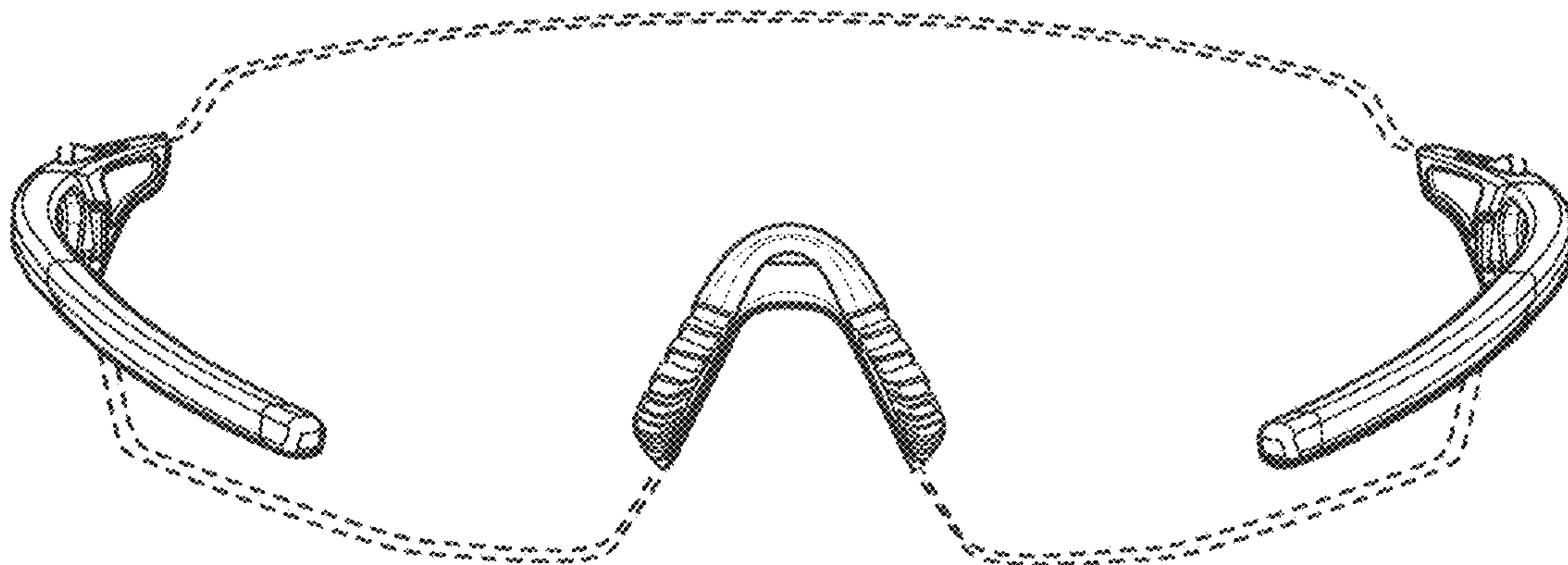


FIG. 6

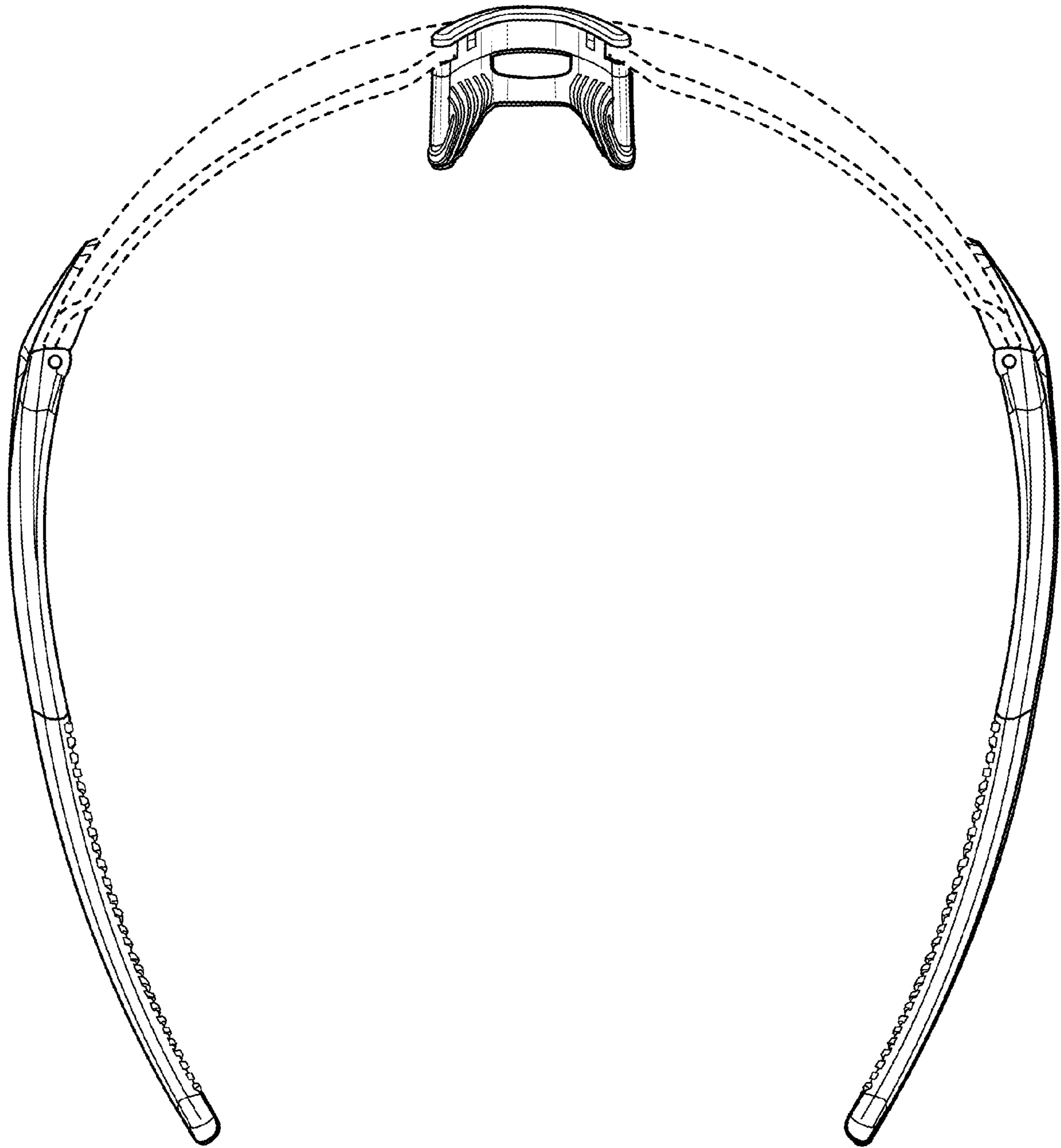


FIG. 7