



US00D889528S

(12) **United States Design Patent** (10) **Patent No.:** **US D889,528 S**
Kowalski (45) **Date of Patent:** **** Jul. 7, 2020**

(54) **IMAGE DISTANCE CONTROL DEVICE**

D813,241 S * 3/2018 Wengreen D14/434
D847,800 S * 5/2019 Wengreen D14/238.1
2013/0161967 A1* 6/2013 Jarrett F16M 11/041
294/142

(71) Applicant: **Atlantic Health System, Inc.**,
Morristown, NJ (US)

(72) Inventor: **Mildred O. Kowalski**, East Hanover,
NJ (US)

(73) Assignee: **Atlantic Health System, Inc.**,
Morristown, NJ (US)

(**) Term: **15 Years**

(21) Appl. No.: **29/674,044**

(22) Filed: **Dec. 19, 2018**

(51) **LOC (12) Cl.** **16-05**

(52) **U.S. Cl.**
USPC **D16/242**

(58) **Field of Classification Search**
USPC D16/208–209, 219, 237–250; D8/354,
D8/355, 363, 373, 382–383, 394–396;
D14/224, 229, 238, 251, 253, 447, 451,
D14/457

CPC F16M 11/06–10; F16M 11/14; G02B
7/00–002; G03B 17/56; G03B
17/561–568; H04N 5/2253–2254

See application file for complete search history.

(56) **References Cited**

U.S. PATENT DOCUMENTS

8,625,273 B2* 1/2014 Zhou F16M 13/00
361/679.41
9,332,170 B1* 5/2016 Khalili G03B 17/563
9,388,939 B2* 7/2016 Girault G06F 1/1632
9,573,532 B2* 2/2017 Riddiford F16M 11/041

OTHER PUBLICATIONS

Universal Cell Phone Tripod Mount L-Shape. [online] Retrieved
Dec. 11, 2019 from URL: <https://www.amazon.com/Universal-L-Shape-Adapter-Bracket-Smartphones/dp/B07F6B2WFR>.*

* cited by examiner

Primary Examiner — Vy N Koenig

(74) *Attorney, Agent, or Firm* — The McHattie Law Firm;
Jonathan A. Tyler

(57) **CLAIM**

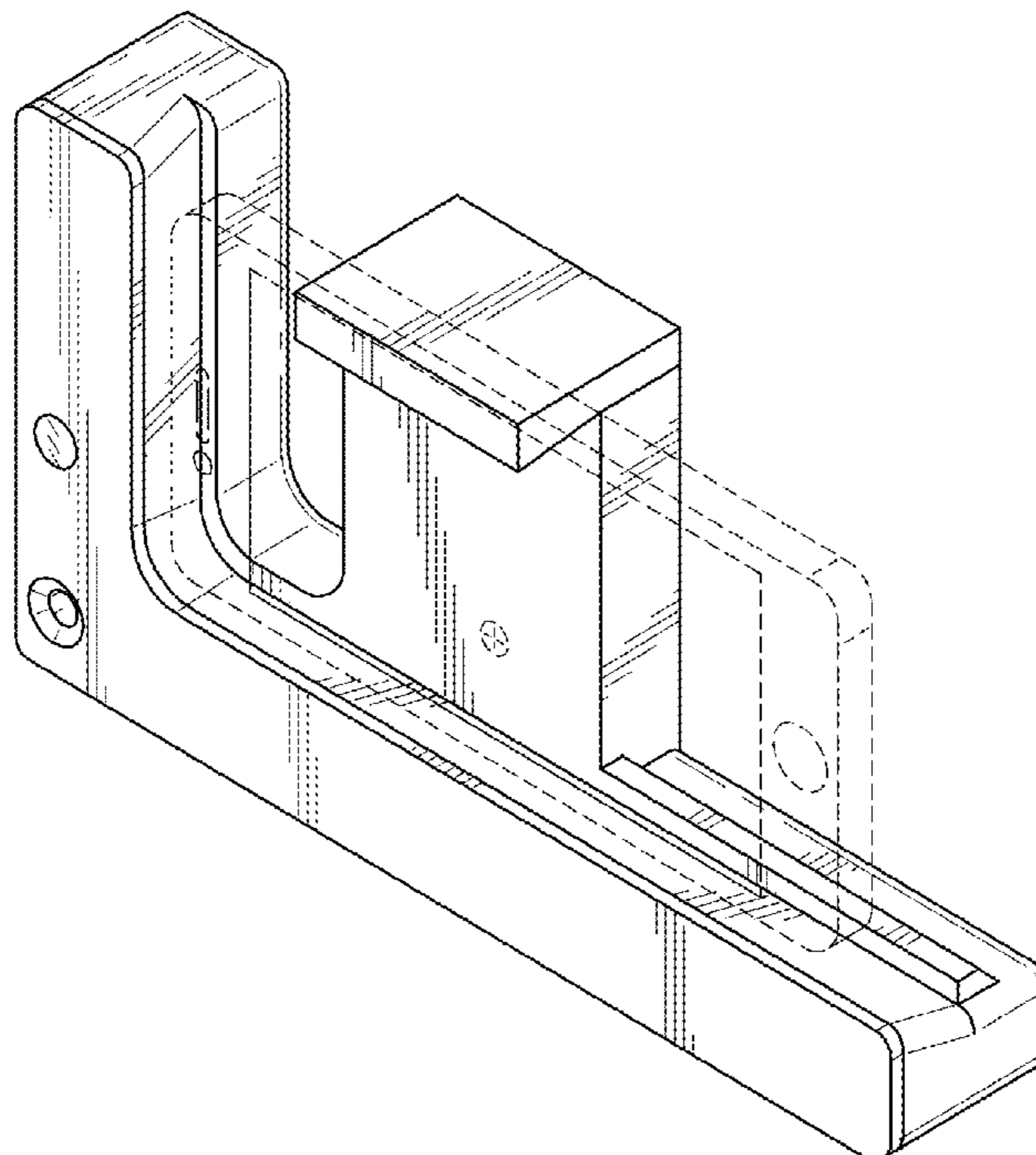
The ornamental design for an image distance control device,
as shown and described.

DESCRIPTION

FIG. 1 is a front perspective view of an image distance control device showing the new design;
FIG. 2 is a front perspective view thereof with an unclaimed cellular telephone inserted therein;
FIG. 3 is a rear perspective view thereof;
FIG. 4 is a front side view thereof;
FIG. 5 is a rear side view thereof;
FIG. 6 is a right side view thereof;
FIG. 7 is a left side view thereof;
FIG. 8 is a top view thereof; and,
FIG. 9 is a bottom view thereof.

The broken lines in the Drawings depict environmental subject matter and form no part of the claimed design.

1 Claim, 4 Drawing Sheets



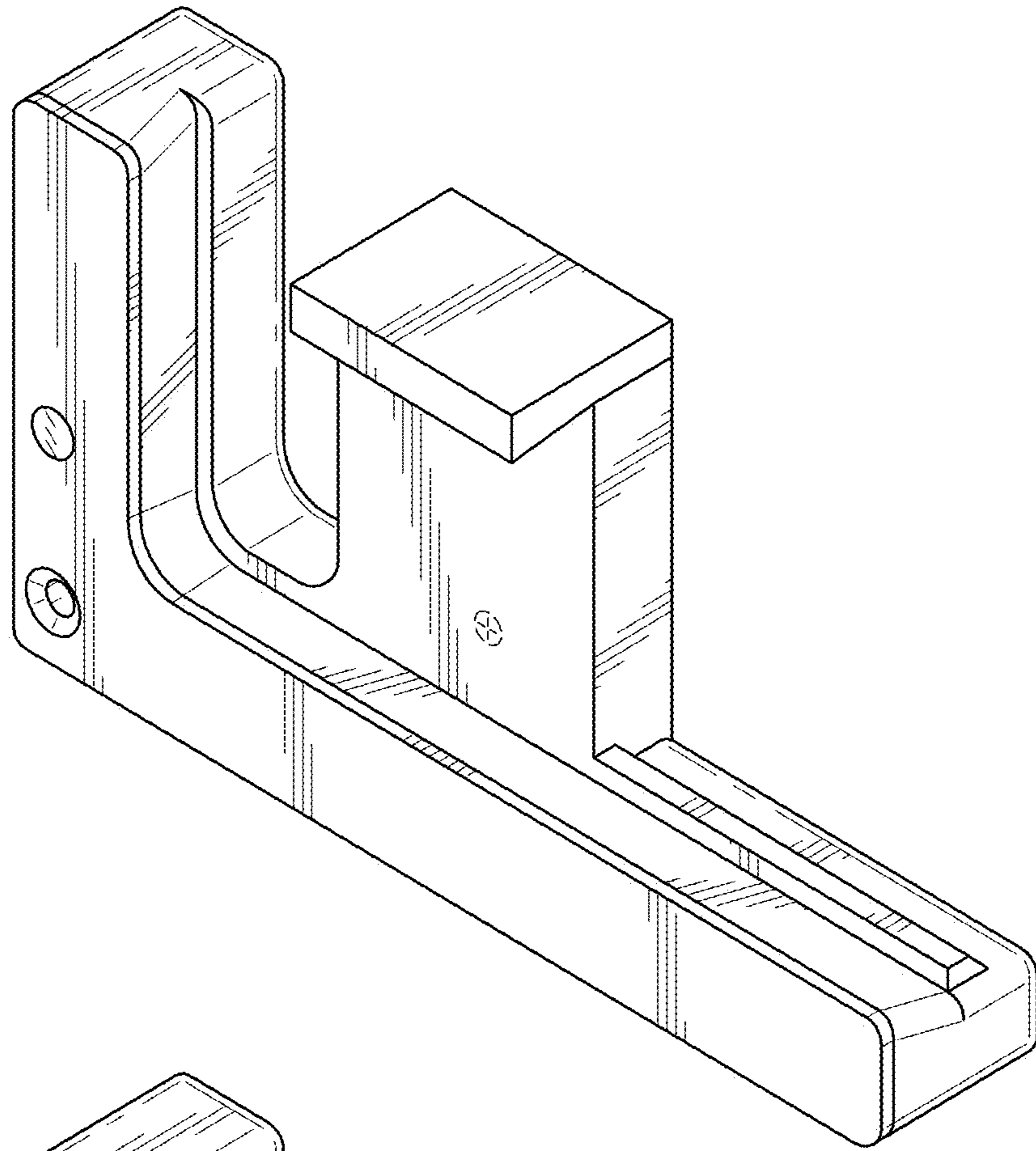


FIG. 1

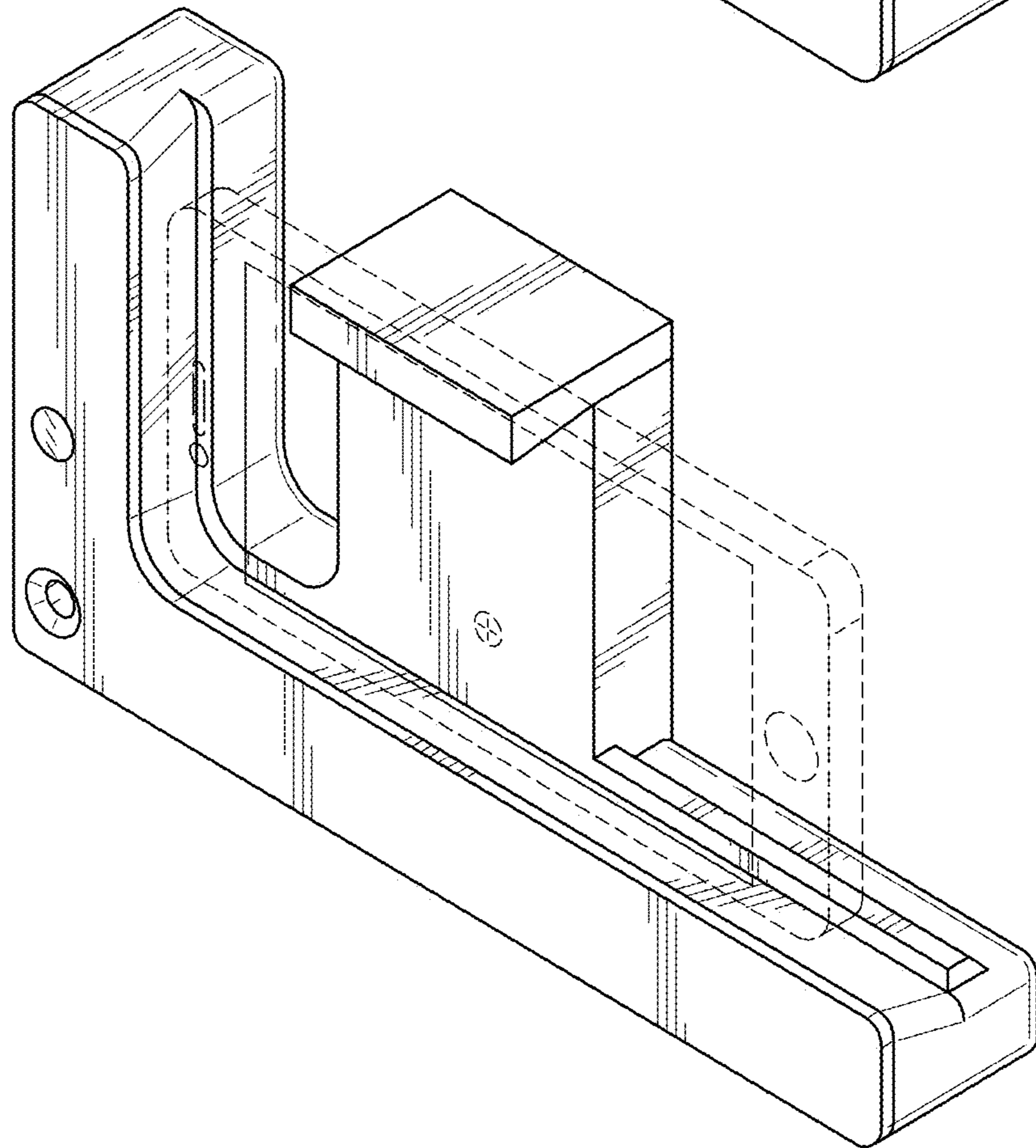


FIG. 2

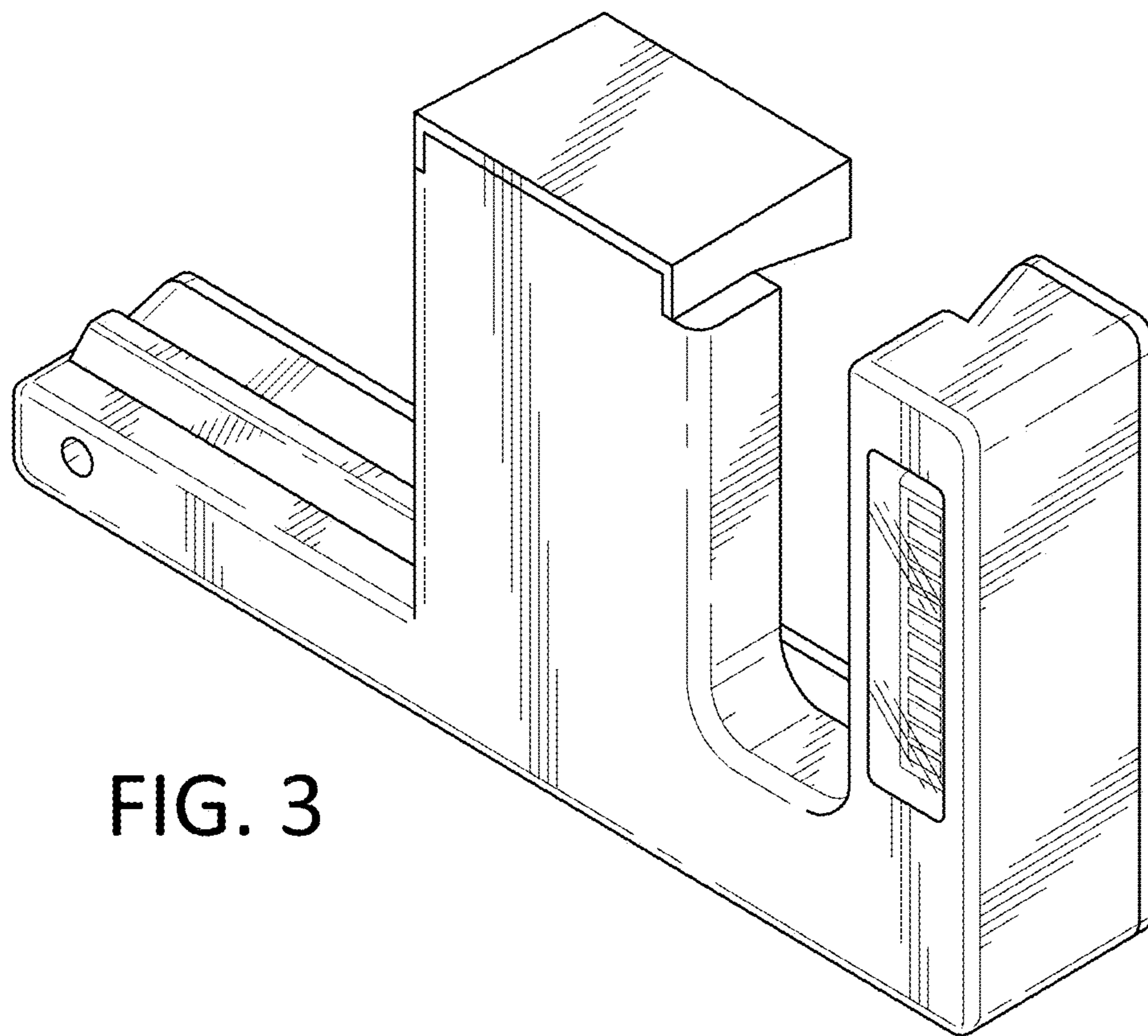


FIG. 3

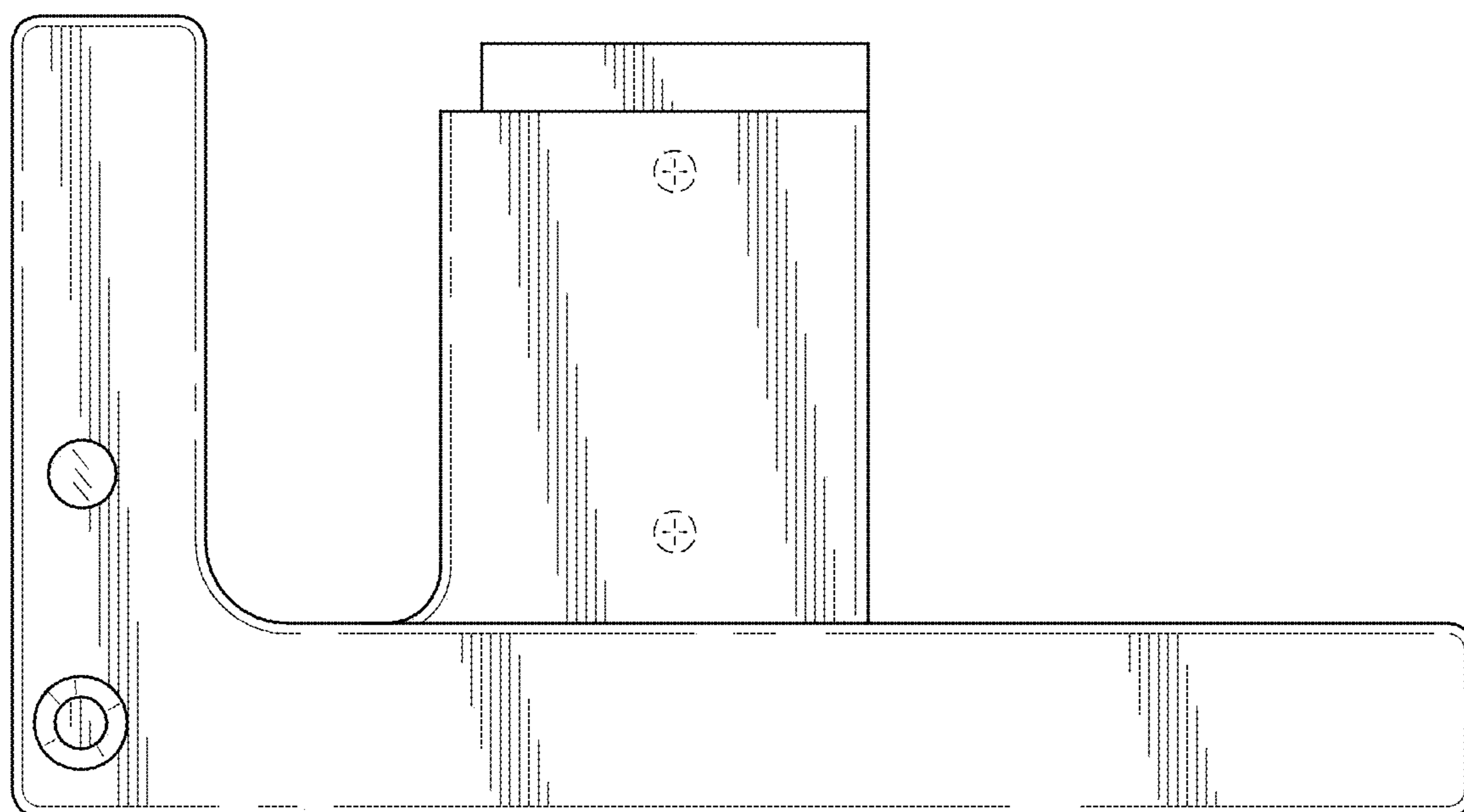


FIG. 4

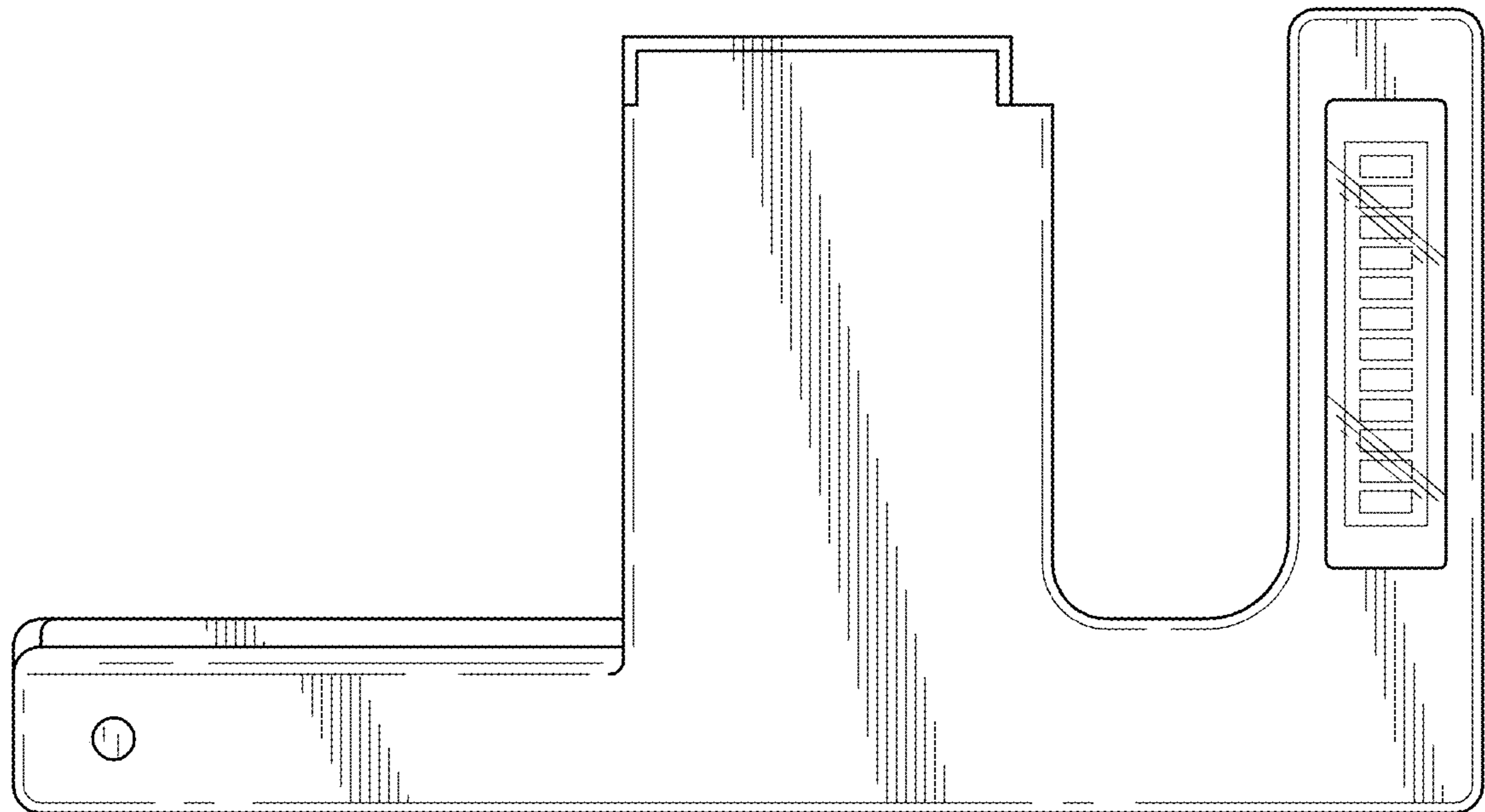


FIG. 5

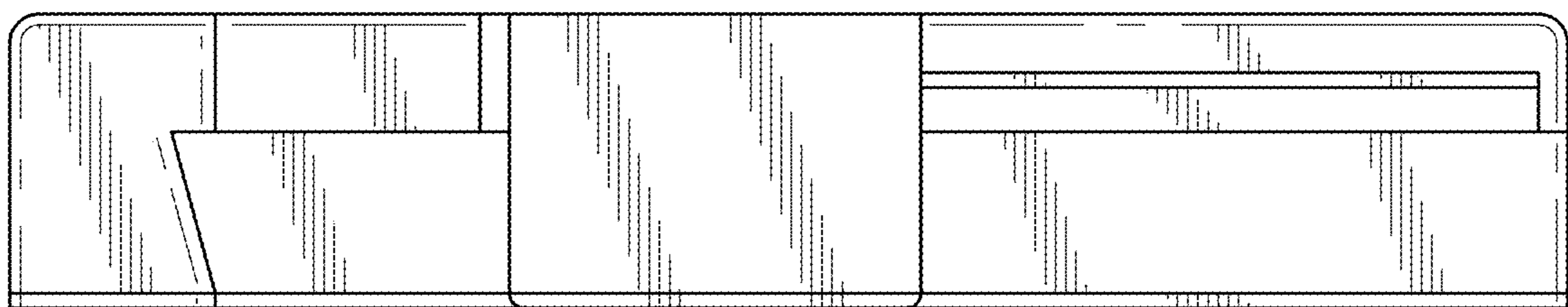


FIG. 6

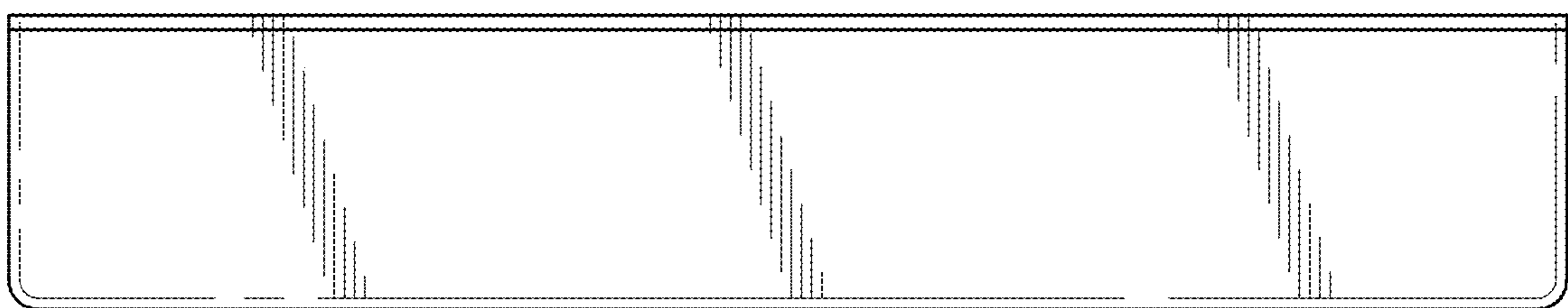


FIG. 7

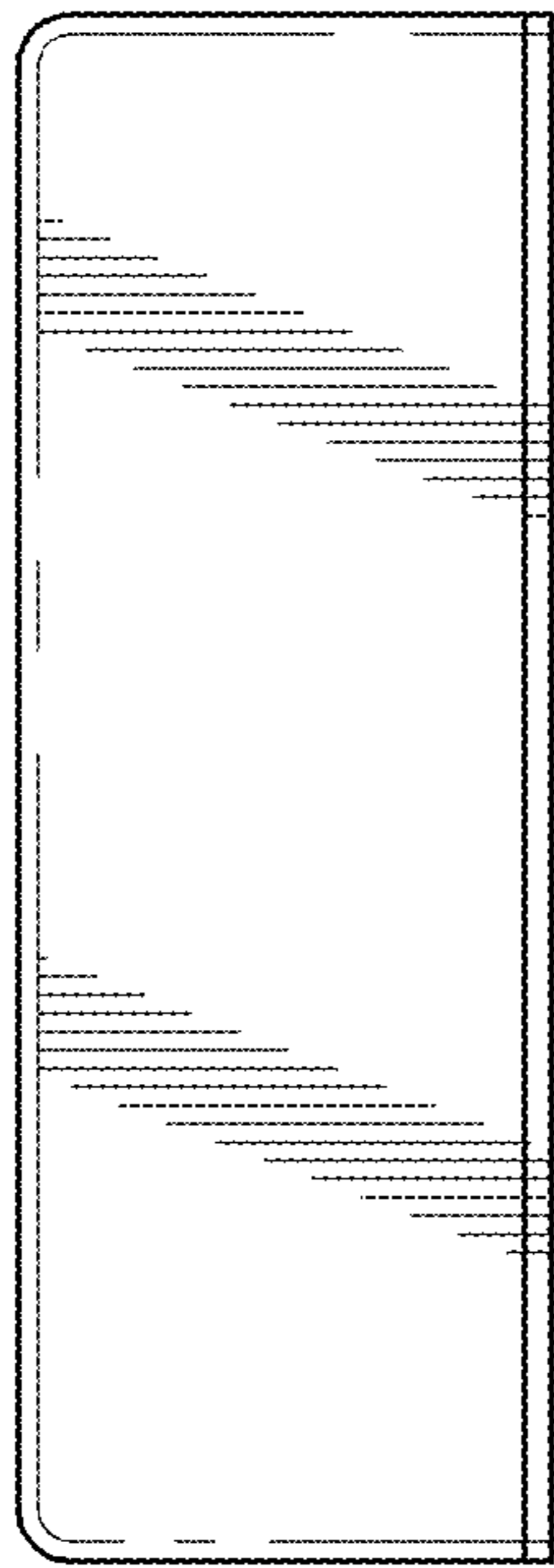


FIG. 8

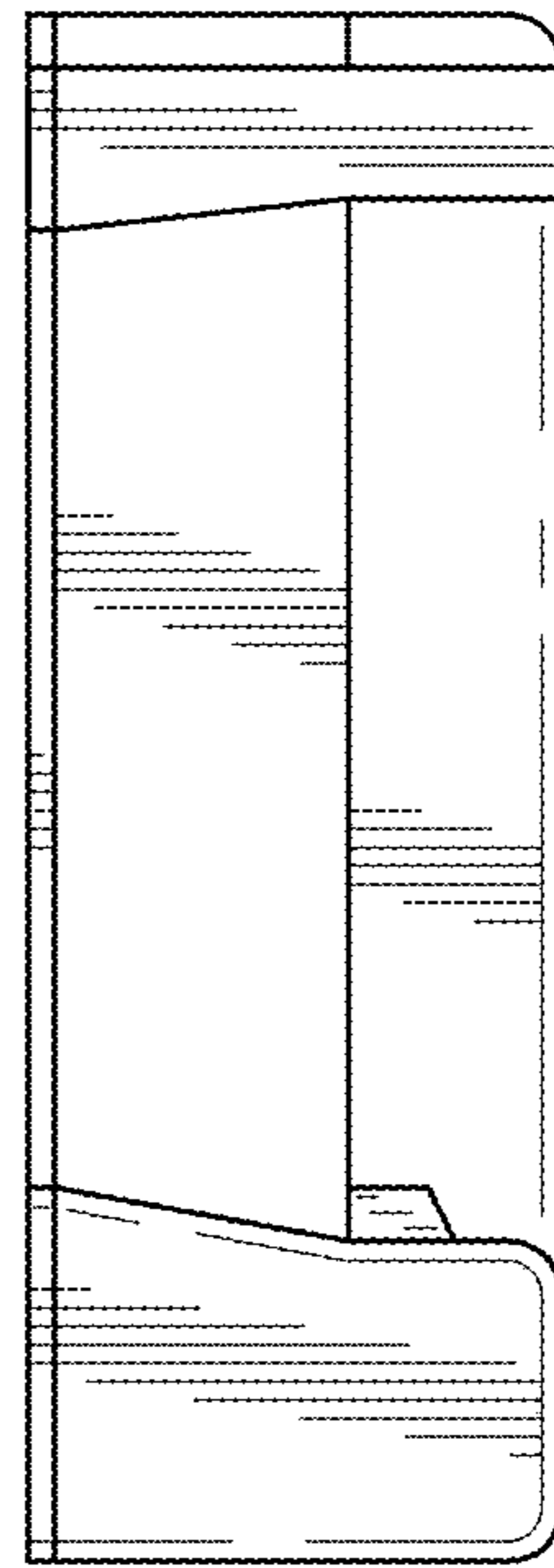


FIG. 9