



US00D889526S

(12) **United States Design Patent** (10) **Patent No.:** **US D889,526 S**  
**Ochi** (45) **Date of Patent:** **\*\* Jul. 7, 2020**

(54) **MONITOR**  
(71) Applicant: **BLD Oriental Co., Ltd.**, Izumisano, Osaka (JP)  
(72) Inventor: **Yasushi Ochi**, Osaka (JP)  
(73) Assignee: **BLD Oriental Co., Ltd.**, Izumisano, Osaka (JP)

D630,666 S \* 1/2011 Matsumoto ..... D16/235  
D659,736 S \* 5/2012 Cheng ..... D16/225  
D717,357 S \* 11/2014 Nakanishi ..... D16/225  
D742,447 S 11/2015 Stark et al.  
D788,607 S \* 6/2017 Ji ..... D16/203  
2002/0131728 A1 9/2002 Kovalchick  
2019/0037184 A1 1/2019 Gauba

(\*\*) Term: **15 Years**

**FOREIGN PATENT DOCUMENTS**

JP D1595871 S 1/2018

(21) Appl. No.: **29/634,556**

(22) Filed: **Jan. 23, 2018**

**OTHER PUBLICATIONS**

Office Action dated Nov. 28, 2017 from Japanese application No. JP2017-015862, filed Jul. 24, 2017.  
Office Action dated Nov. 27, 2017 from Japanese application No. JP2017-015863, filed Jul. 24, 2017.  
Office Action dated Nov. 28, 2017 from Japanese application No. JP2017-015867, filed Jul. 24, 2017.

(30) **Foreign Application Priority Data**

Dec. 29, 2017 (JP) ..... 2017-027572

(Continued)

(51) **LOC (12) Cl.** ..... **16-02**

(52) **U.S. Cl.**  
USPC ..... **D16/221**; D14/371

*Primary Examiner* — Wan Laymon  
(74) *Attorney, Agent, or Firm* — Stevens & Showalter LLP

(58) **Field of Classification Search**  
USPC ..... D16/221, 225, 230–235, 130, 134, 203;  
D14/371, 128–129, 195, 216, 336;  
385/35, 92; 353/119, 122; D26/36,  
D26/123–124

(57) **CLAIM**

The ornamental design for a monitor, as shown and described.

CPC ..... G03B 21/00; G03B 21/03; G03B 21/04;  
G03B 21/10; G03B 21/14; G03B 21/145  
See application file for complete search history.

**DESCRIPTION**

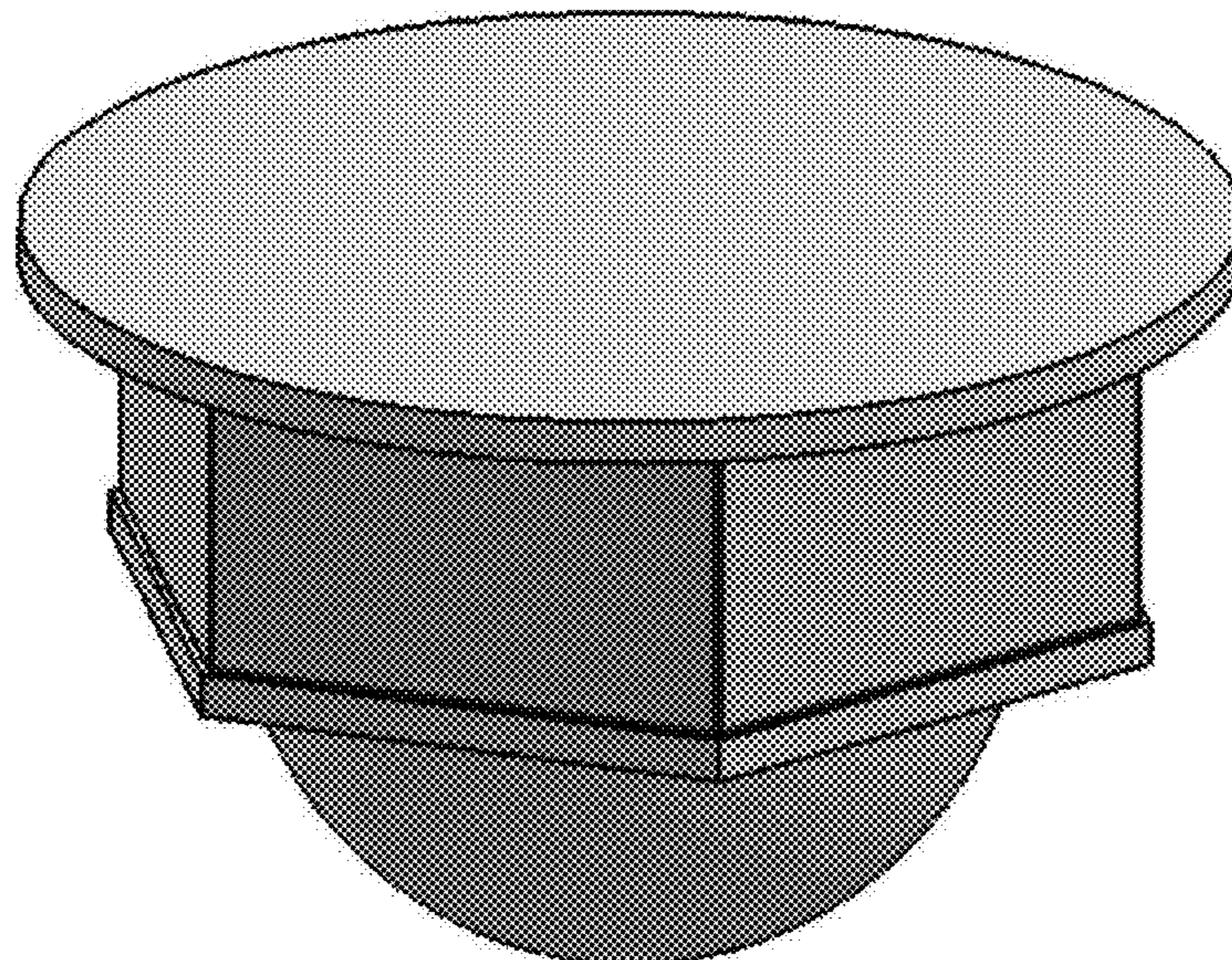
(56) **References Cited**

**U.S. PATENT DOCUMENTS**

D76,959 S 11/1928 Schnell  
D80,496 S 2/1930 Schnell  
D120,903 S 6/1940 Arenberg  
D412,924 S \* 8/1999 Hiraguchi ..... D16/203  
7,149,152 B1 \* 12/2006 Chan ..... G03B 21/006  
368/79  
D564,564 S 3/2008 Inada et al.  
D603,438 S \* 11/2009 Takishima ..... D16/130

FIG. 1 is a front view of a monitor in accordance with the present invention;  
FIG. 2 is a rear view thereof;  
FIG. 3 is a left side view thereof;  
FIG. 4 is a right side view thereof;  
FIG. 5 is a top view thereof;  
FIG. 6 is a bottom view thereof; and,  
FIG. 7 is a perspective view, taken from the upper front and left sides thereof.

**1 Claim, 4 Drawing Sheets**



(56)

**References Cited**

OTHER PUBLICATIONS

Office Action dated Nov. 27, 2017 from Japanese application No. JP2017-015869, filed Jul. 24, 2017.  
Office Action dated Nov. 28, 2017 from Japanese application No. JP2017-015876, filed Jul. 24, 2017.  
Office Action dated Nov. 27, 2017 from Japanese application No. JP2017-015879, filed Jul. 24, 2017.  
Office Action dated Nov. 27, 2017 from Japanese application No. JP2017-015880, filed Jul. 24, 2017.  
Office Action dated Nov. 27, 2017 from Japanese application No. JP2017-015881, filed Jul. 24, 2017.  
Office Action dated Nov. 27, 2017 from Japanese application No. JP2017-016008, filed Jul. 24, 2017.  
Japanese patent application No. JP2017-015859, filed Jul. 24, 2017.  
Japanese patent application No. JP2017-015860, filed Jul. 24, 2017.  
Japanese patent application No. JP2017-015862, filed Jul. 24, 2017.  
Japanese patent application No. JP2017-015863, filed Jul. 24, 2017.  
Japanese patent application No. JP2017-015867, filed Jul. 24, 2017.  
Japanese patent application No. JP2017-015869, filed Jul. 24, 2017.  
Japanese patent application No. JP2017-015876, filed Jul. 24, 2017.  
Japanese patent application No. JP2017-015879, filed Jul. 24, 2017.  
Japanese patent application No. JP2017-015880, filed Jul. 24, 2017.  
Japanese patent application No. JP2017-027572, filed Dec. 9, 2017.

\* cited by examiner

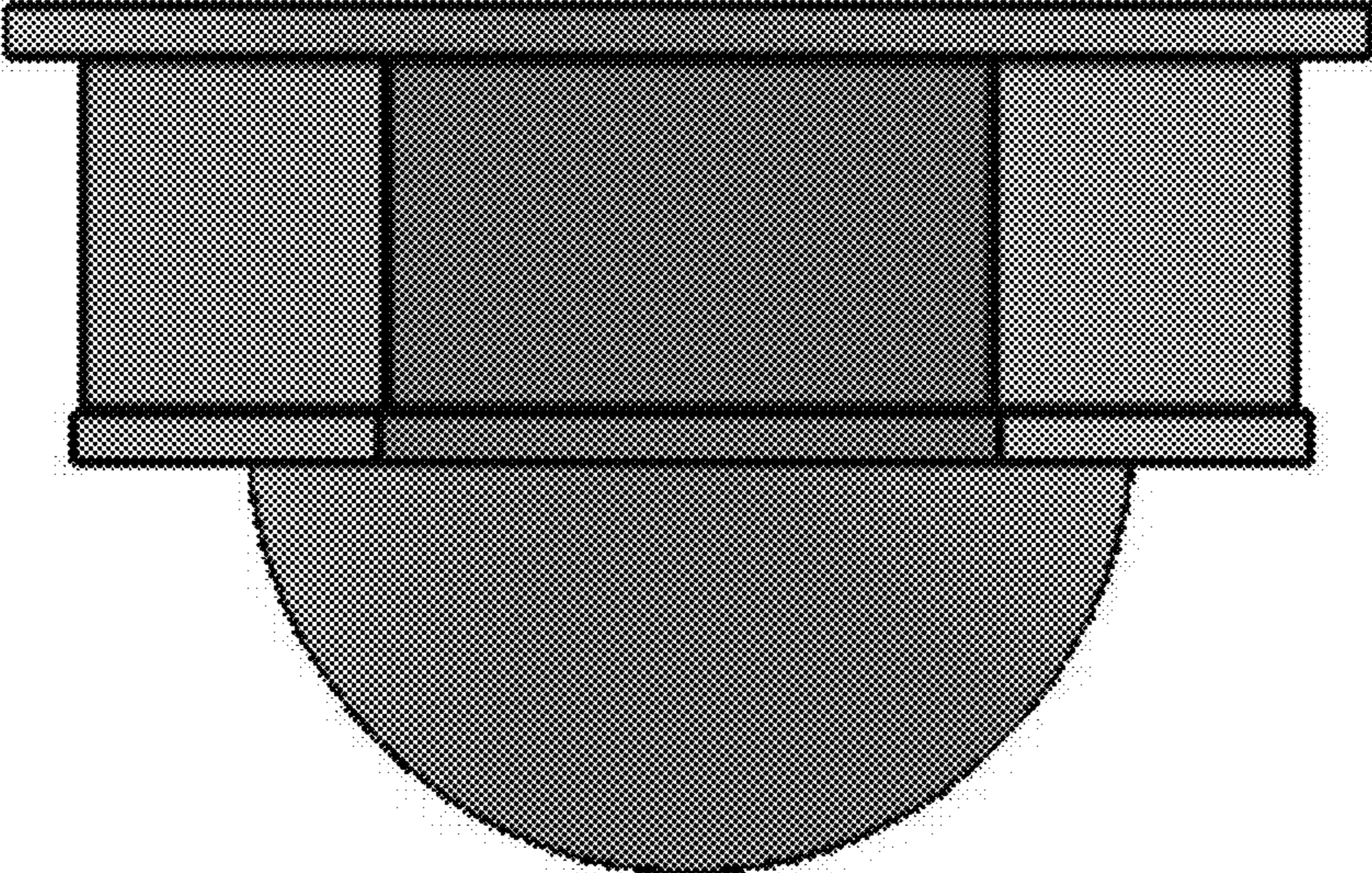


FIG. 1

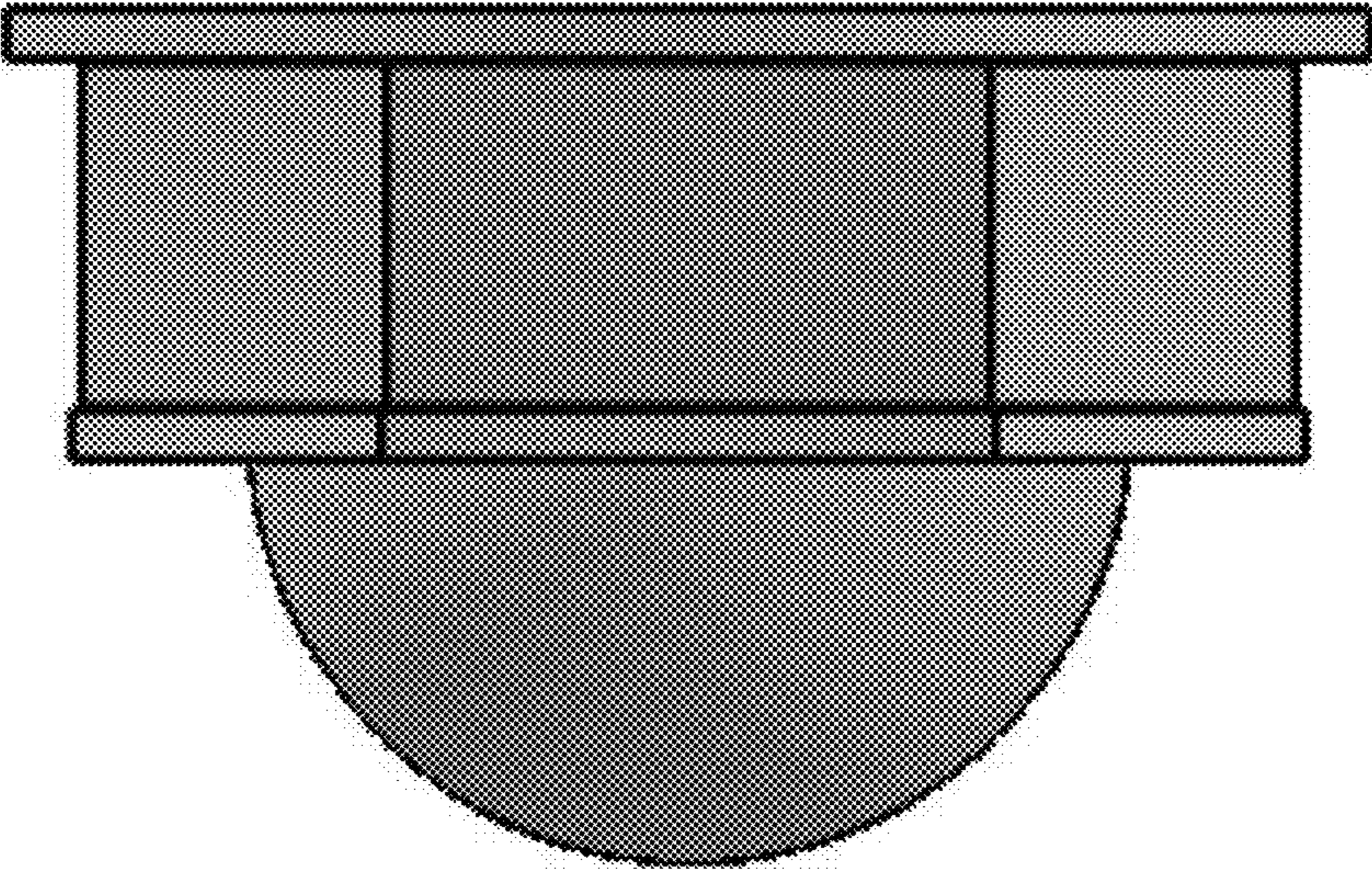


FIG. 2

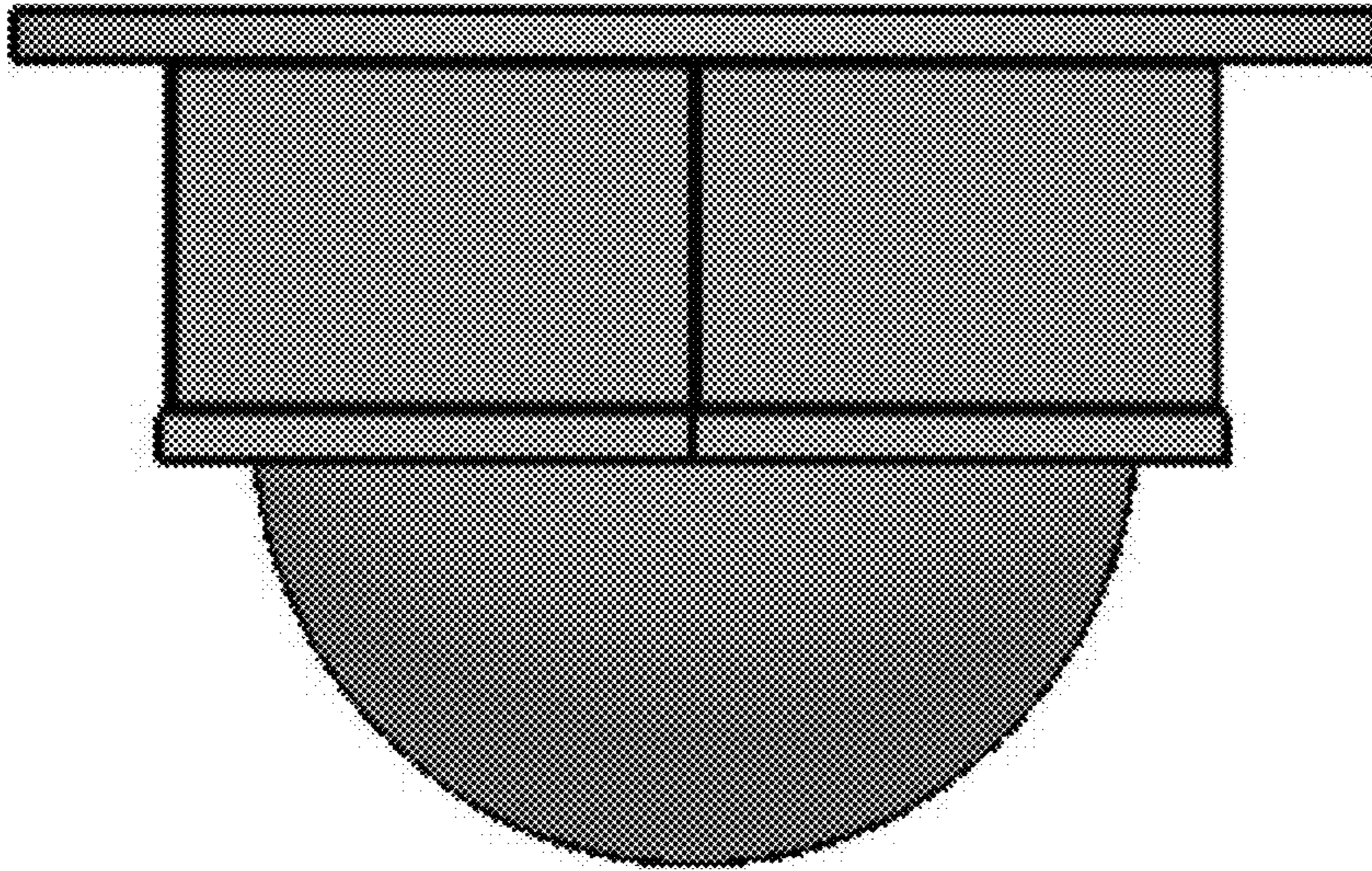


FIG. 3

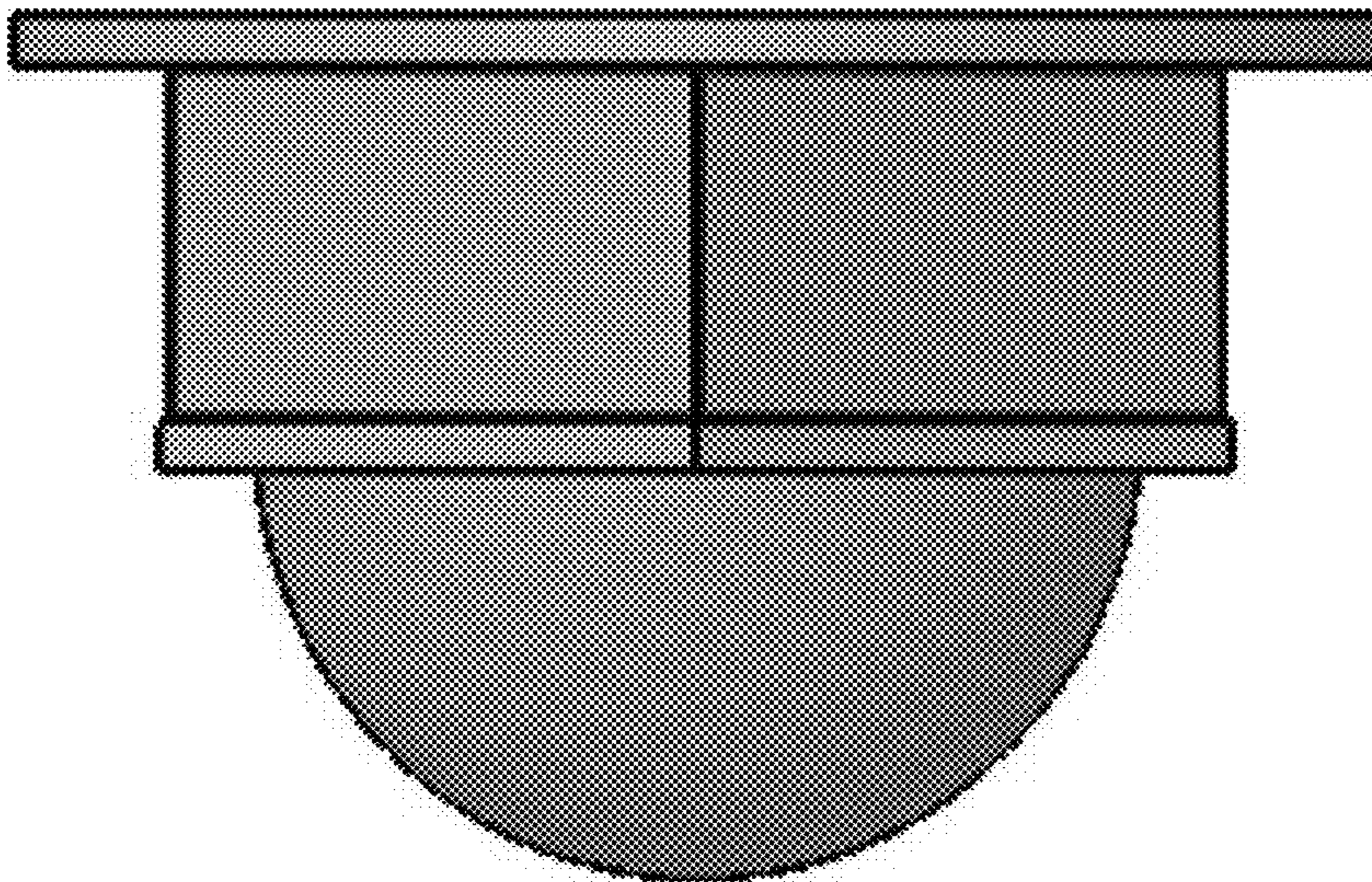


FIG. 4

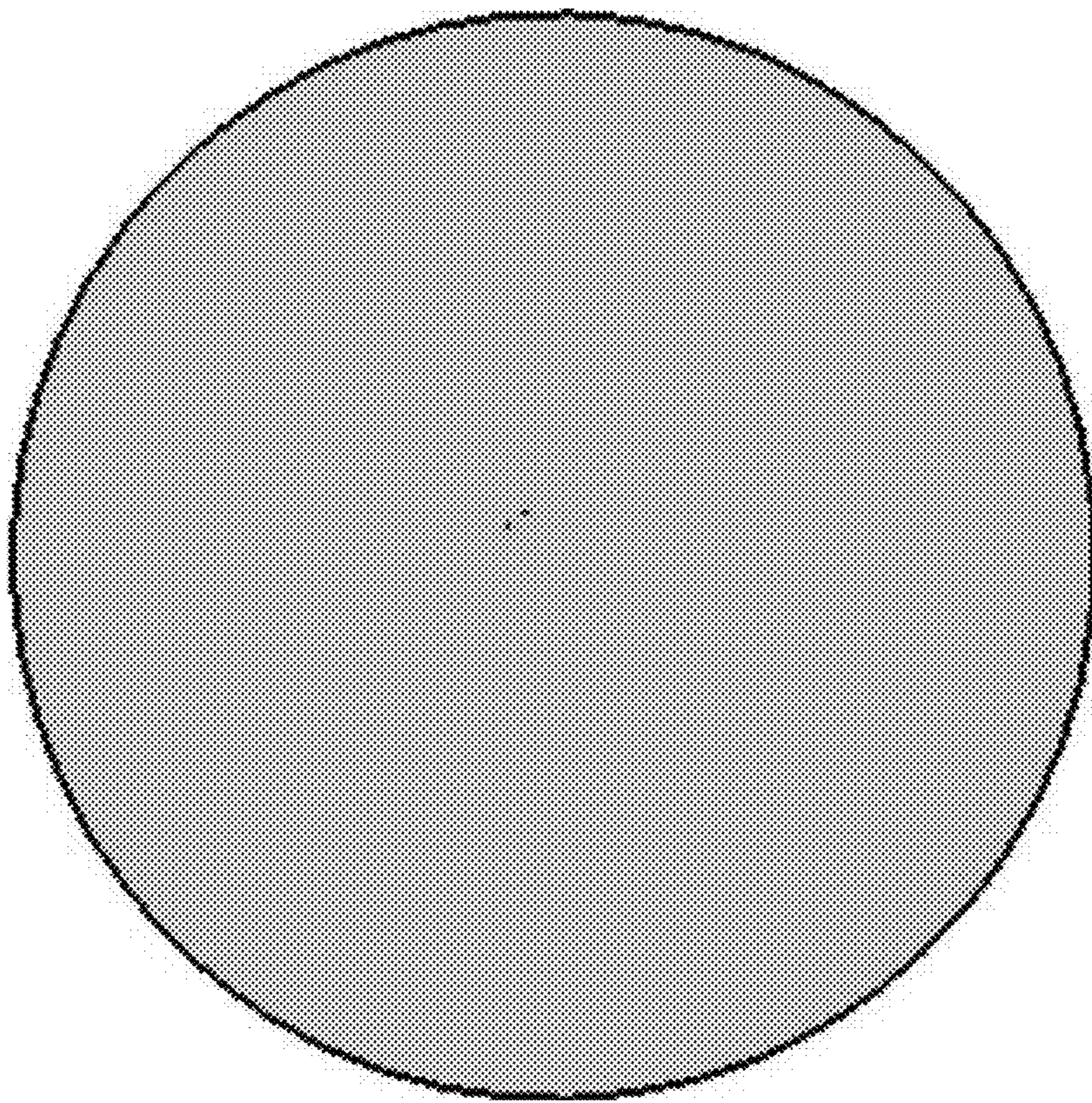


FIG. 5

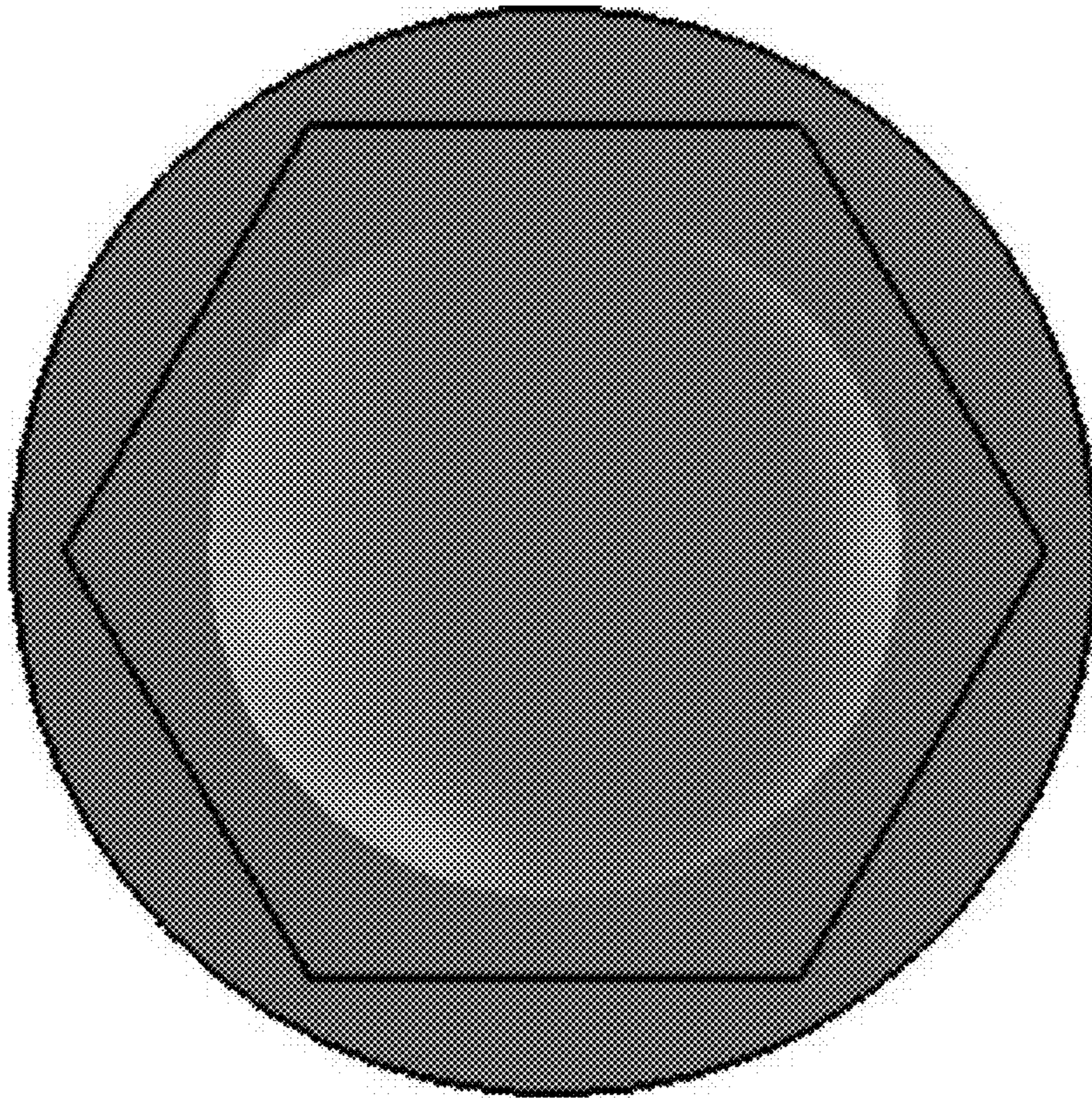


FIG. 6

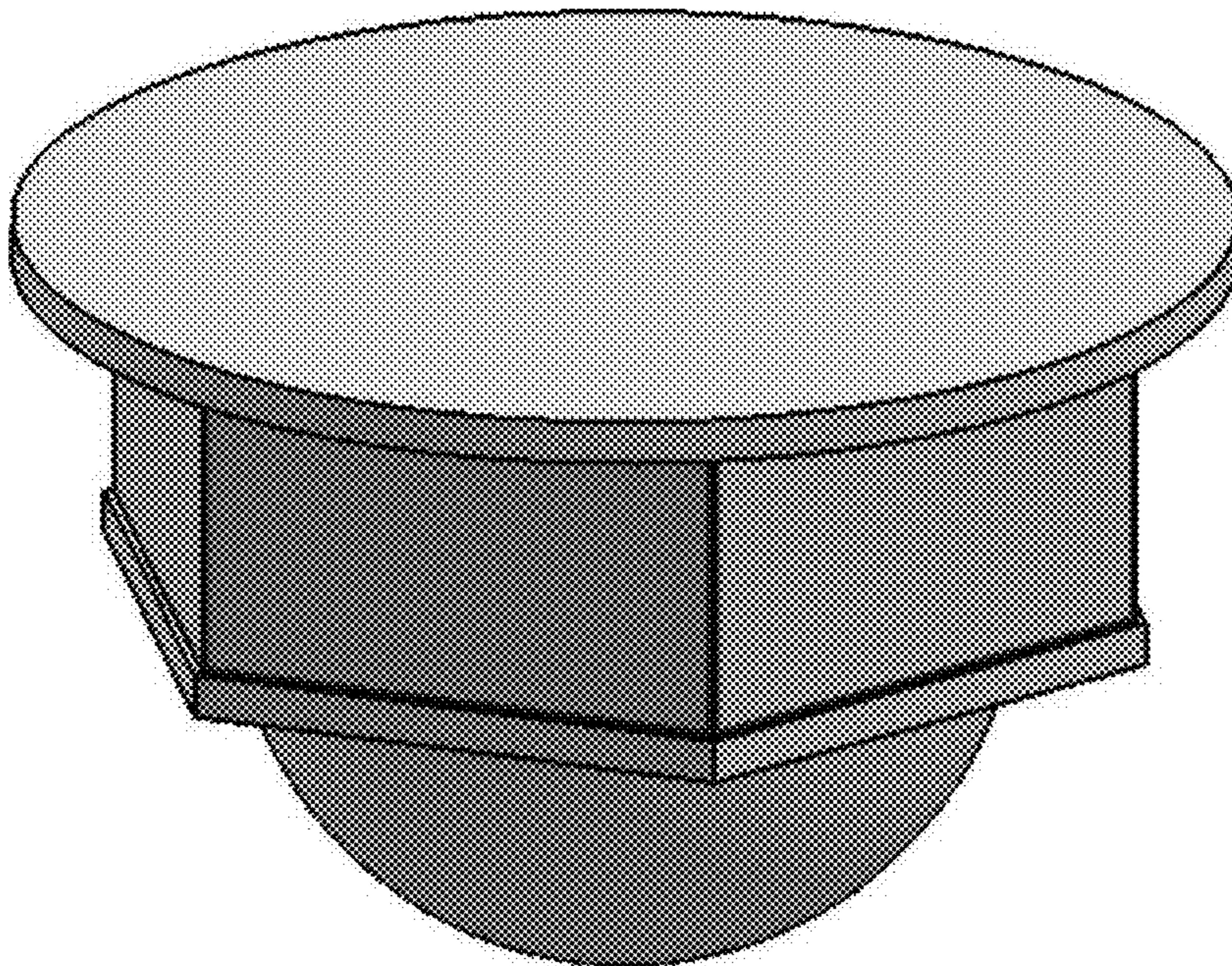


FIG. 7