



US00D889523S

(12) **United States Design Patent** (10) **Patent No.:** **US D889,523 S**
Eletrabi et al. (45) **Date of Patent:** **** Jul. 7, 2020**

(54) **ROBOT**
(71) Applicant: **Tennibot LLC**, Auburn, AL (US)
(72) Inventors: **Haitham Eletrabi**, Auburn, AL (US);
Ryan A Bush, Brevard, NC (US)
(73) Assignee: **Tennibot, Inc.**, Auburn, AL (US)
(**) Term: **15 Years**

6,079,930 A 6/2000 Valdes-Rodriguez
6,354,643 B1 3/2002 Podejko
6,422,621 B1 7/2002 Tandilch
7,377,565 B1 5/2008 Beavin
8,262,517 B2 9/2012 Balasubramanyan
8,297,669 B2 10/2012 Matthews
8,313,396 B1 11/2012 Mallman
8,534,726 B2 9/2013 Bulatao
8,556,565 B2 10/2013 Reyes
8,602,711 B1 12/2013 Nash

(Continued)

(21) Appl. No.: **29/651,320**

FOREIGN PATENT DOCUMENTS

(22) Filed: **Apr. 23, 2018**

CN 2858005 1/2007

(51) **LOC (12) Cl.** **15-99**

(52) **U.S. Cl.**

USPC **D15/199**

(58) **Field of Classification Search**

USPC D15/199; D21/578-583, 621, 622;
D32/21

CPC A63B 47/021; A63B 2047/022; A63B
2102/16

See application file for complete search history.

OTHER PUBLICATIONS

Young, Lee W. "International Search Report and Written Opinion—
PCT/US16/19159" ISA/US; dated Jul. 21, 2016; pp. 1-11.

(Continued)

Primary Examiner — Patricia A Palasik
(74) *Attorney, Agent, or Firm* — Nicholas J. Landau;
Bradley Arant Boult Cummings LLP

(56) **References Cited**

(57) **CLAIM**

U.S. PATENT DOCUMENTS

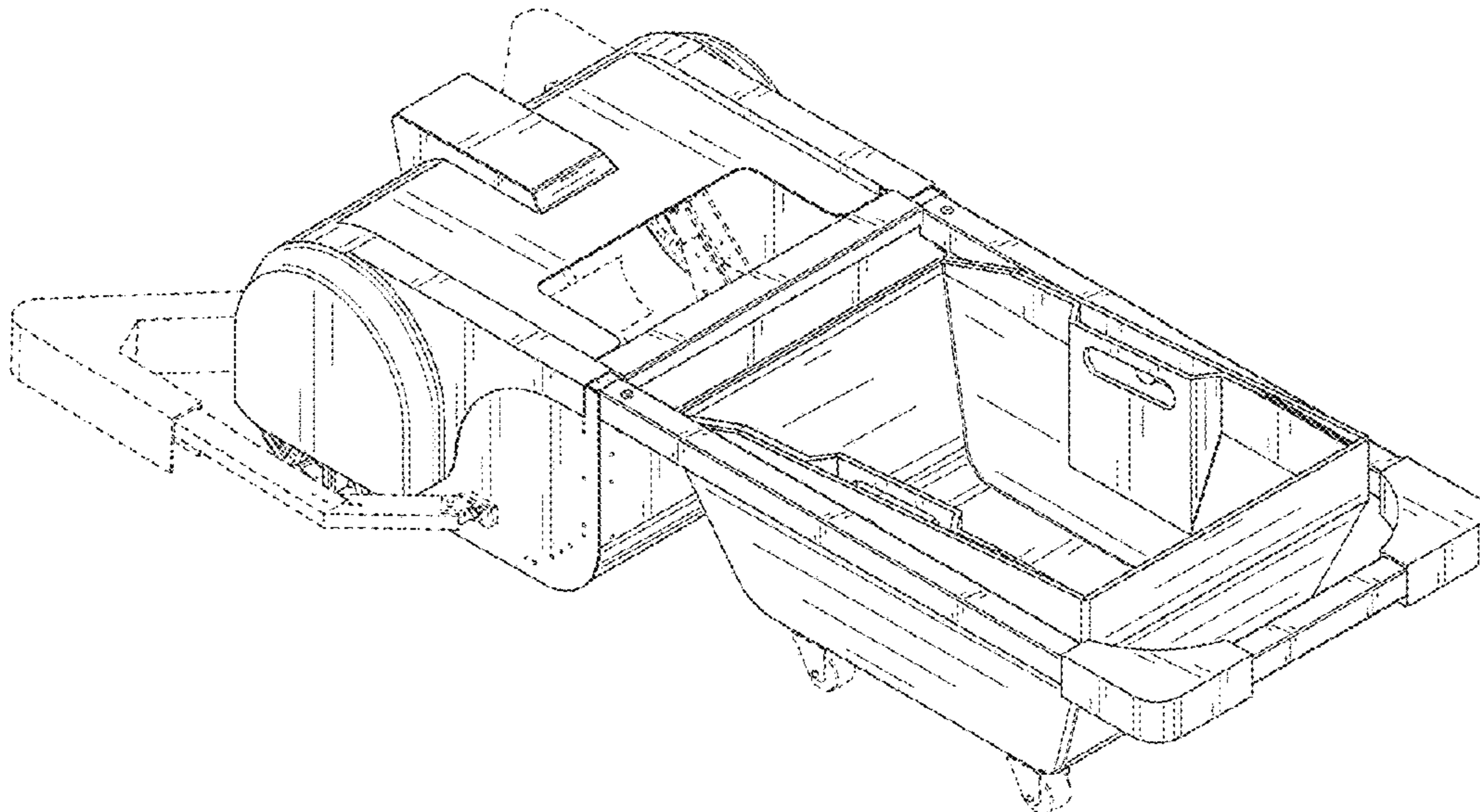
The ornamental design for a robot, as shown and described.

- 2,484,437 A * 10/1949 Wells A63B 47/021
414/440
- 2,810,487 A 10/1957 Bailey
- 3,102,647 A 9/1963 Bonney
- 3,485,398 A 12/1969 Maximillian
- 4,077,533 A 3/1978 Meyer
- 4,158,418 A * 6/1979 Hayashi A63B 47/021
414/440
- 4,221,524 A 9/1980 Morris
- 4,221,542 A 9/1980 Acres
- 4,252,490 A 2/1981 Keller
- 4,735,544 A 4/1988 Stotts
- 4,844,527 A 7/1989 Ray
- 5,301,991 A 4/1994 Chen
- 5,464,262 A * 11/1995 Madrazo A63B 47/02
294/19.2

DESCRIPTION

FIG. 1 shows a perspective view the robot in accordance with the new design.
FIG. 2 shows a rear view of FIG. 1.
FIG. 3 shows a front view of FIG. 1.
FIG. 4 shows a first side view of FIG. 1.
FIG. 5 shows a second side view of FIG. 1.
FIG. 6 shows a top view of FIG. 1; and,
FIG. 7 shows a bottom view of FIG. 1.
Dashed lines in the drawings depict portions of the robot which form no part of the claimed design.

1 Claim, 7 Drawing Sheets



(56)

References Cited

U.S. PATENT DOCUMENTS

8,920,101	B2	12/2014	Leyco	
9,114,285	B2	8/2015	Guo	
2004/0042884	A1	3/2004	Jester et al.	
2006/0068948	A1	3/2006	Mendoza	
2007/0017948	A1	1/2007	Smithson	
2009/0137348	A1	3/2009	Tsai	
2010/0087265	A1*	4/2010	Rolando A63B 47/02 473/132
2010/0250024	A1	9/2010	Macedo Ribeiro	
2012/0093621	A1	4/2012	Reyes	
2013/0210556	A1	8/2013	Villar et al.	
2014/0152507	A1	6/2014	McAllister	
2014/0294547	A1	10/2014	Guo	
2016/0256751	A1*	9/2016	Barandao A63B 47/002

OTHER PUBLICATIONS

https://www.youtube.com/watch?v=zIHp_GX2uOC “MiP Self Balancing Robot Friend by WowWee. Hands-On Review” (Toy, Gadget and Product Reviews by Dad Does) Apr. 15, 2014, entire document. http://www.decathlon.co.uk/ball-collector-blue-id_8013707.html; Decathlon web page [accessed Apr. 8, 2016] pp. 1-2. <http://tourna.co.uk/index.php/product/21-ball-tenntube-yellow-tennis-ball-collector>; Tourna web page [accessed Apr. 8, 2016] pp. 1-8. <http://www.playmatetennis.com/mower.asp>; Playmate web page [accessed Apr. 8, 2016]; pp. 1-3.

“Atbac I Autonomous Tennis Ball Collector” (video) <https://www.youtube.com/watch?v=3sPjJfFKa4>; screen shot from web page accessed Apr. 8, 2016.

UNM ME Senior Design Group 3 Balibot Spring 2008 (“the Playmate”) (video) <https://www.youtube.com/watch?v=ISiakQxsgwY>; screen shot from web page accessed Apr. 8, 2016.

“Tennis Ball Collector Robot” (video) <https://www.youtube.com/watch?v=rJfwDakpbOQ>; screen shot from web page accessed Apr. 8, 2016.

“Tennis Ball Picking Robot” (video) <https://www.youtube.com/watch?v=EEbdo2WdTOI>; screen shot from web page accessed Apr. 8, 2016.

“Tennis Ball Collecting Robot Video” (video) <https://www.youtube.com/watch?v=hCtlyj099M4>; screen shot from web page accessed Apr. 8, 2016.

“Tennis Ball Bot” (video) <https://www.youtube.com/watch?v=bpA3v9Cs55c>; screen shot from web page accessed Apr. 8, 2016.

“Tennis Ball Collection Robot” (video) <https://www.youtube.com/watch?v=Q5GRffHEhF4>; screen shot from web page accessed Apr. 8, 2016.

Chawla, N., et al. “Robotic Tennis Ball Collector,” 2012 Florida Conference on Recent Advances in Robotics, May 2012, <http://www.eng.fiu.edu/mme/robotics/elib/FCRAR2012-Robotic-Tennis-Ball-Collector.pdf> (accessed Jul. 13, 2015); pp. 1-6.

“Tennis Ball Boy,” RNR Associates web site, <http://www.mrassociates.com/wordpress/category/awesome-products/page/23/> (accessed Jul. 13, 2015); pp. 1-2.

Harper, J., et al. “Autonomous Tennis Ball Collector,” Cal Poly Pomona web site, http://www.cpp.edu/~honorscollege/documents/convocation/EGR/ECE_Harper.pdf (accessed Jul. 13, 2015).

“Bear Claw: Tennis Ball Collector,” University of California at Berkeley web site, http://www.me.berkeley.edu/ME102B/Past_Proj/f09/1%20BearClaw%20Tennis%20Ball%20Collector/index.php (accessed Jul. 13, 2015).

Collier, et al. “Autonomous Tennis Ball Collector,” University of Waterloo web site, http://www.engineering.uwaterloo.ca/~madham/files/ME481_Autonomous%20Ball%20Collector.pdf (accessed Jul. 13, 2015); pp. 1-30.

Wei, Foo Shi, “Design and develop of an automated tennis ball collector and launcher robot for both able-bodied and wheelchair tennis players—ball recognition systems,” Universiti Tunku Abdul Rahman, <http://eprints.utar.edu.my/540/1/MH-2012-0804533-1.pdf> (accessed Jul. 13, 2015); pp. 1-78.

Grubb, et al. “Tenni::>coop Design Proposal,” Autonomou Tennis tjall Go11ect1on Robot version 1.1; vvvUt.;::>Et:480 Senior Design; Nov. 28, 2011; West Virginia University web site, <http://www.google.com/url?17sa=t&rct=j&q=&esrc=s&source=web&cd=48&cad=rja&uact=8&ved=OCGQQFjAHOCqFQoTCM-xoLar28YC FUeggAod Nu EFW&url=http%3A%2F%2Ffcsee.wvu.edu%2Fseniordesign%2FFall2011-480-Group15%2Fdocs%2F480%2520Design%2520Proposal%2520Web.docx&ei=s2CIVY->

“Product Engineering and Realization Laboratory,” Purdue University web site, <https://engineering.purdue.edu/PEARUsmash> (accessed Jul. 14, 2015).

* cited by examiner

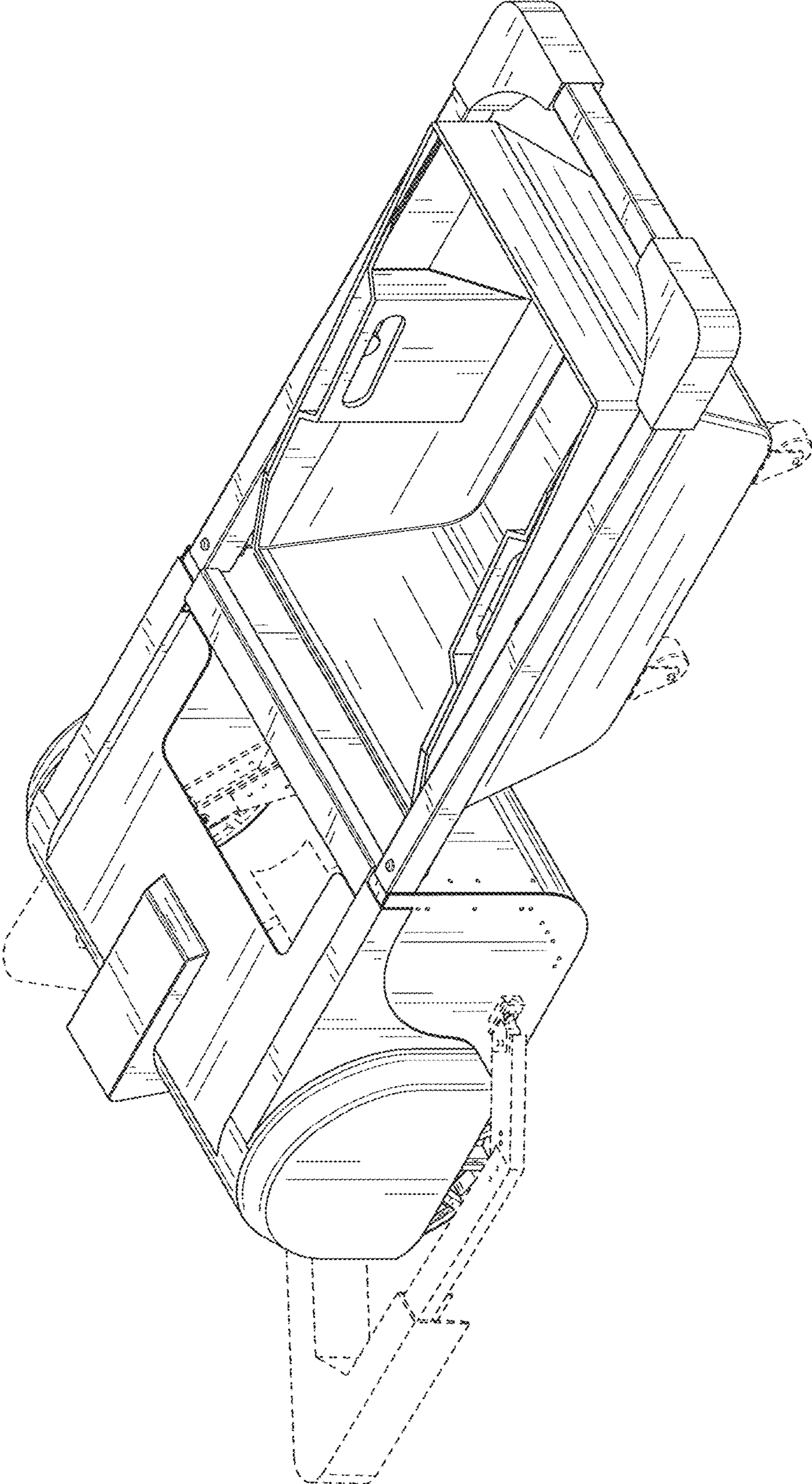


FIG. 1

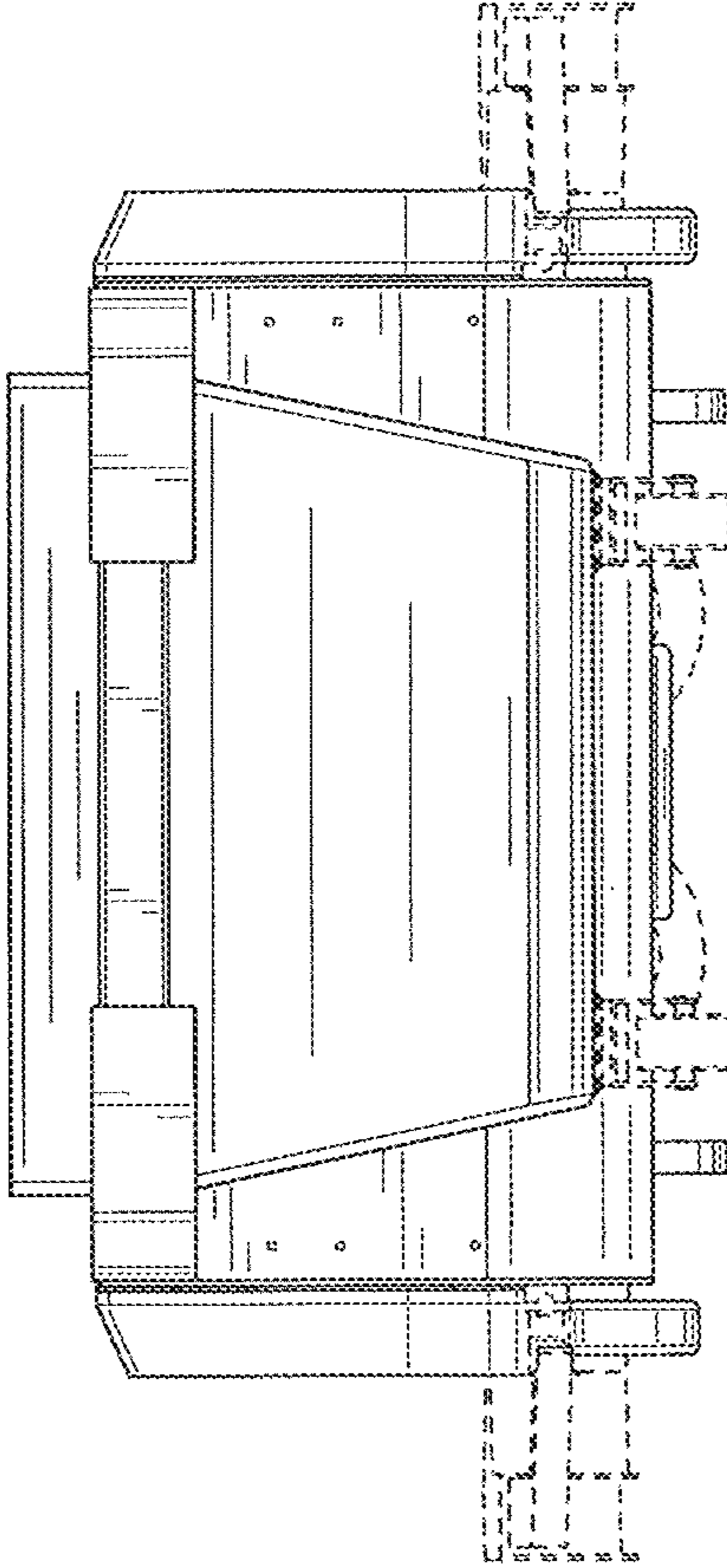


FIG. 2

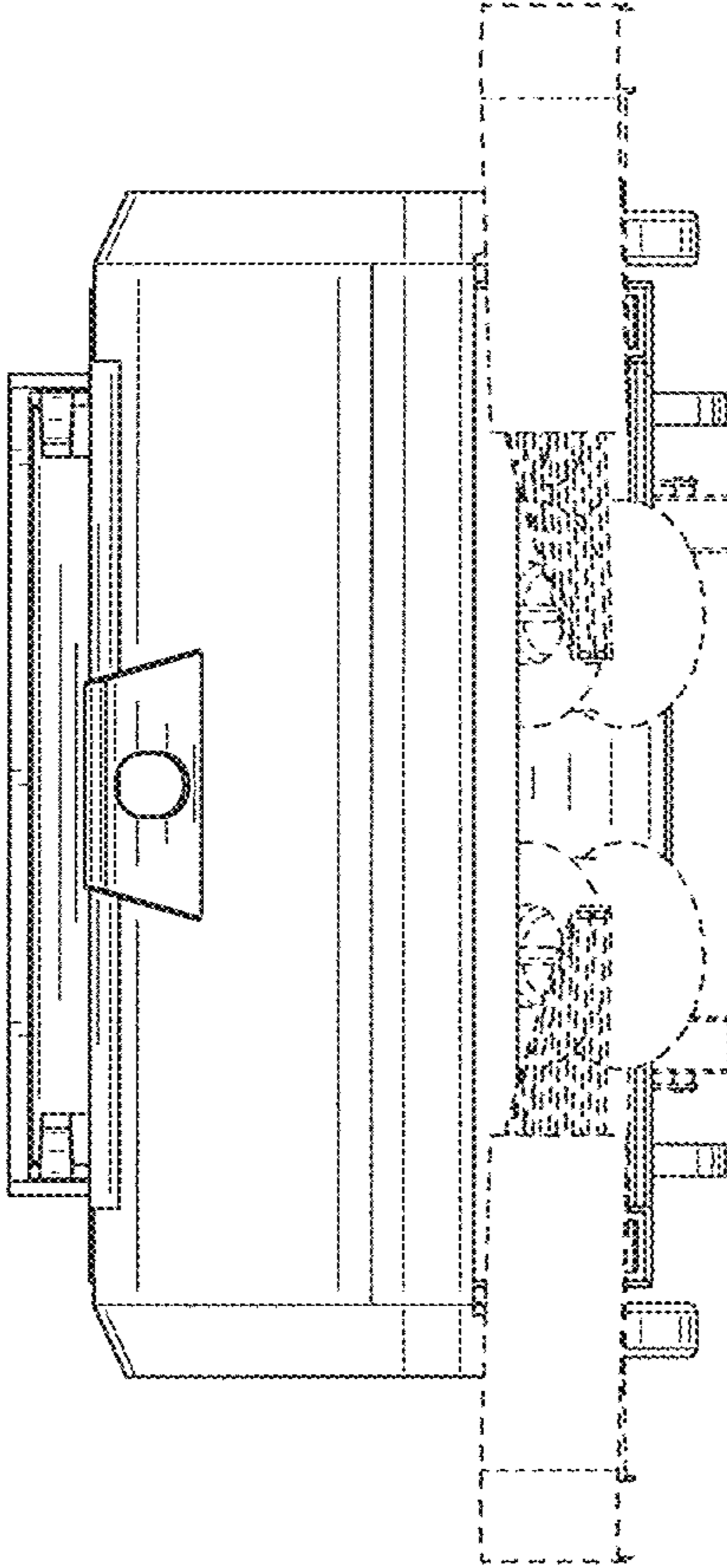


FIG. 3

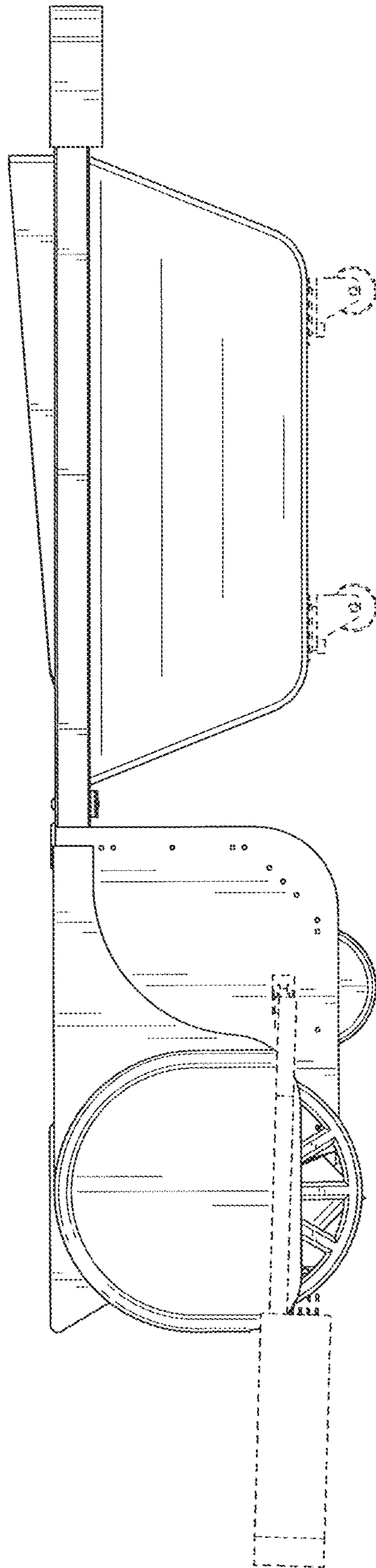


FIG. 4

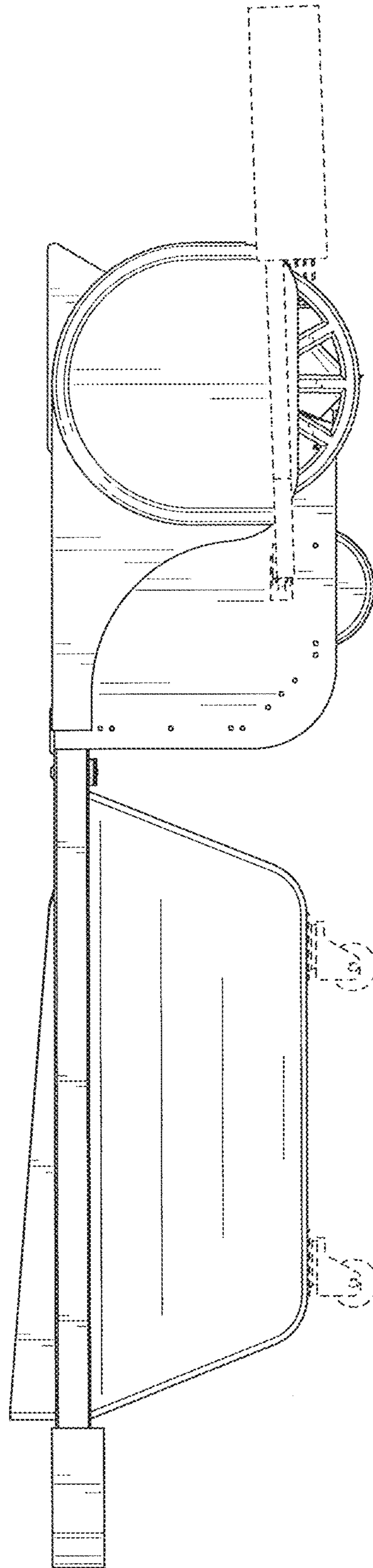


FIG. 5

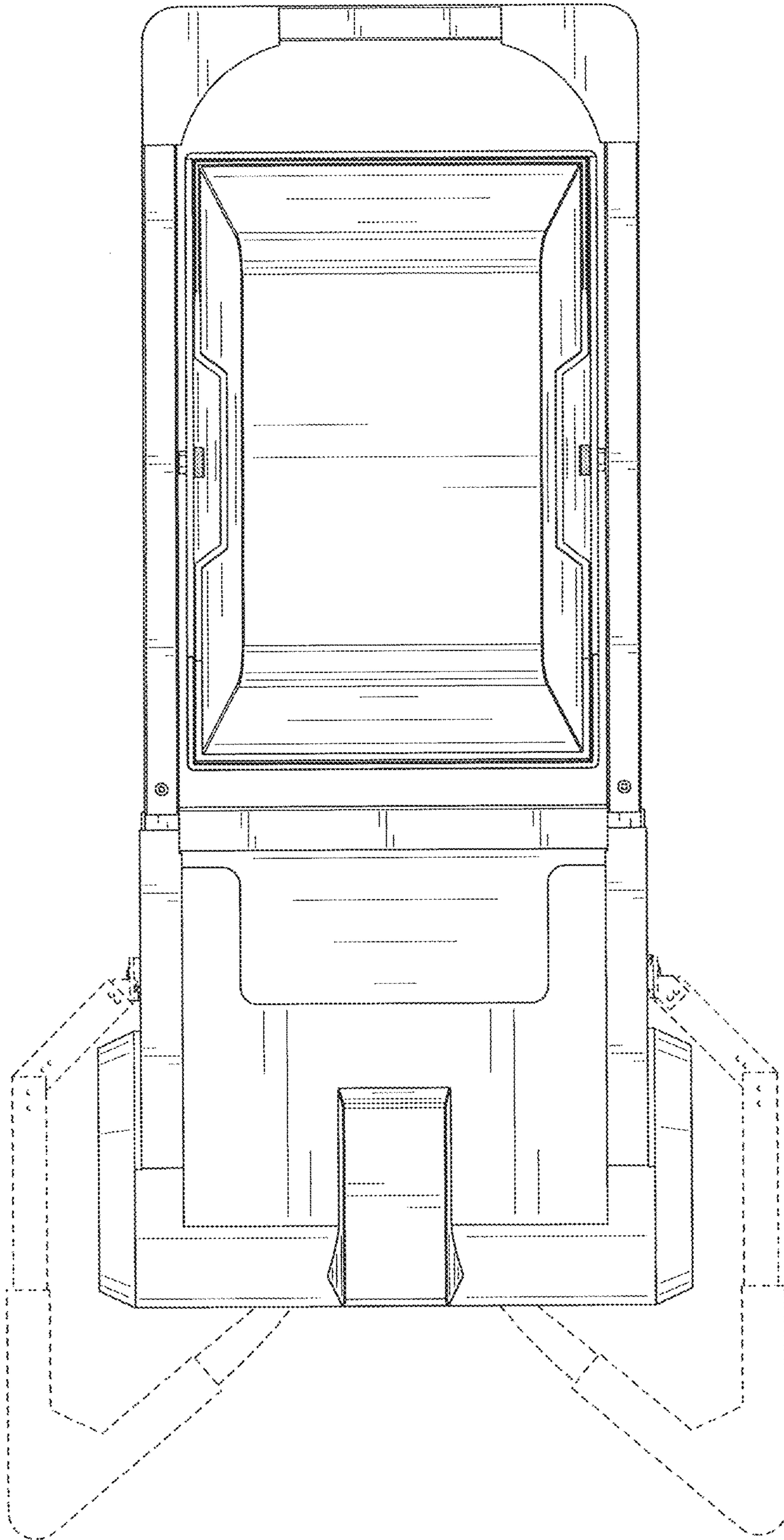


FIG. 6

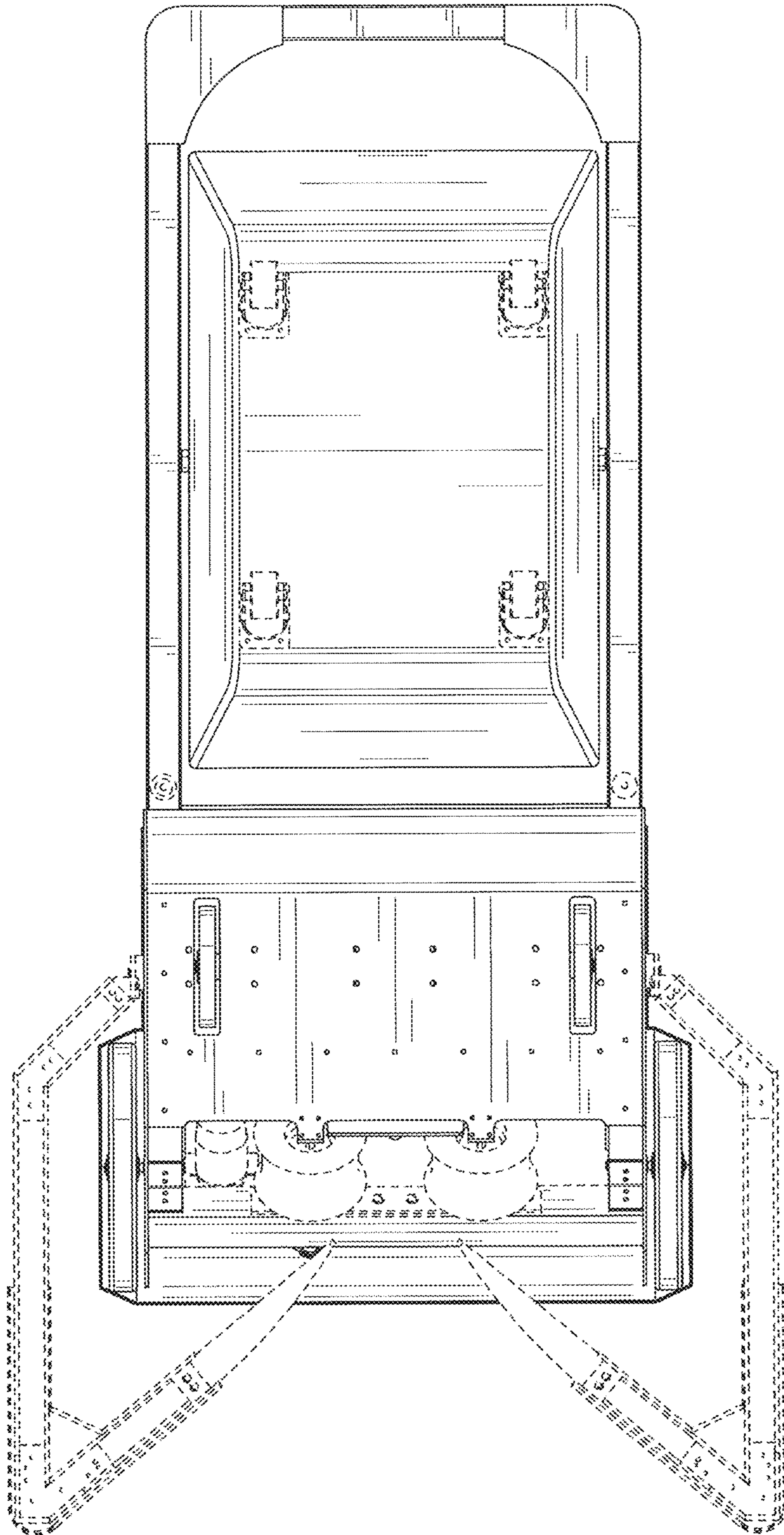


FIG. 7