



US00D889521S

(12) **United States Design Patent**
Krebs

(10) **Patent No.:** **US D889,521 S**
(45) **Date of Patent:** **** Jul. 7, 2020**

(54) **PACKAGING MATERIAL DISPENSER HEAD**

DESCRIPTION

- (71) Applicant: **Sprick GmbH Bielefelder Papier—und Wellpappenwerke & Co., Bielefeld (DE)**
- (72) Inventor: **Vitali Krebs, Ahlen (DE)**
- (73) Assignee: **Sprick GmbH Bielefelder Papier—Und Wellpappenwerke & Co., Bielefeld (DE)**
- (**) Term: **15 Years**
- (21) Appl. No.: **29/654,320**
- (22) Filed: **Jun. 22, 2018**
- (51) **LOC (12) Cl.** **15-09**
- (52) **U.S. Cl.**
USPC **D15/145**
- (58) **Field of Classification Search**
USPC D8/70; D7/700; D15/150, 145;
D23/225, 213
CPC B31D 5/0039; B31D 2205/0029; B65H
16/005; B65H 35/008; B65H 2701/1944;
A47K 2010/3266
See application file for complete search history.

The patent or application file contains at least one drawing executed in color. Copies of this patent or patent application with color drawing(s) will be provided by the U.S. Patent and Trademark Office upon request and payment of the necessary fee.

FIG. 1 is a top perspective view of a packaging material dispenser head according to a first embodiment;
 FIG. 2 is a left-side elevation view thereof;
 FIG. 3 is a right-side elevation view thereof;
 FIG. 4 is a front-side elevation view thereof;
 FIG. 5 is a rear-side elevation view thereof;
 FIG. 6 is a top plan view thereof; and
 FIG. 7 is a bottom plan view thereof.
 FIG. 8 is a top perspective view of a packaging material dispenser head according to a second embodiment;
 FIG. 9 is a front-side elevation view thereof;
 FIG. 10 is a rear-side elevation view thereof;
 FIG. 11 is a left-side elevation view thereof, with the right-side elevation view being a mirror image of FIG. 11;
 FIG. 12 is a top plan view thereof; and
 FIG. 13 is a bottom plan view thereof.
 FIG. 14 is a top perspective view of a packaging material dispenser head according to a third embodiment;
 FIG. 15 is a front-side elevation view thereof;
 FIG. 16 is a rear-side elevation view thereof;
 FIG. 17 is a left-side elevation view thereof, with the right-side elevation view being a mirror image of FIG. 17;
 FIG. 18 is a top plan view thereof; and
 FIG. 19 is a bottom plan view thereof.

The broken lines shown on the drawings depict portions of the packaging material dispenser head that form no part of the claimed design. The dash-dot-dash lines define the bounds of the claimed design and form no part thereof.

(56) **References Cited**

U.S. PATENT DOCUMENTS

- D279,323 S * 6/1985 Spenceley D34/28
- D303,265 S * 9/1989 Miyoshi D15/122
- D346,851 S * 5/1994 Howe D23/225
- D415,662 S * 10/1999 Schneider D7/691
- D449,105 S * 10/2001 Azo D24/122
- D474,528 S * 5/2003 Huang D23/225

(Continued)

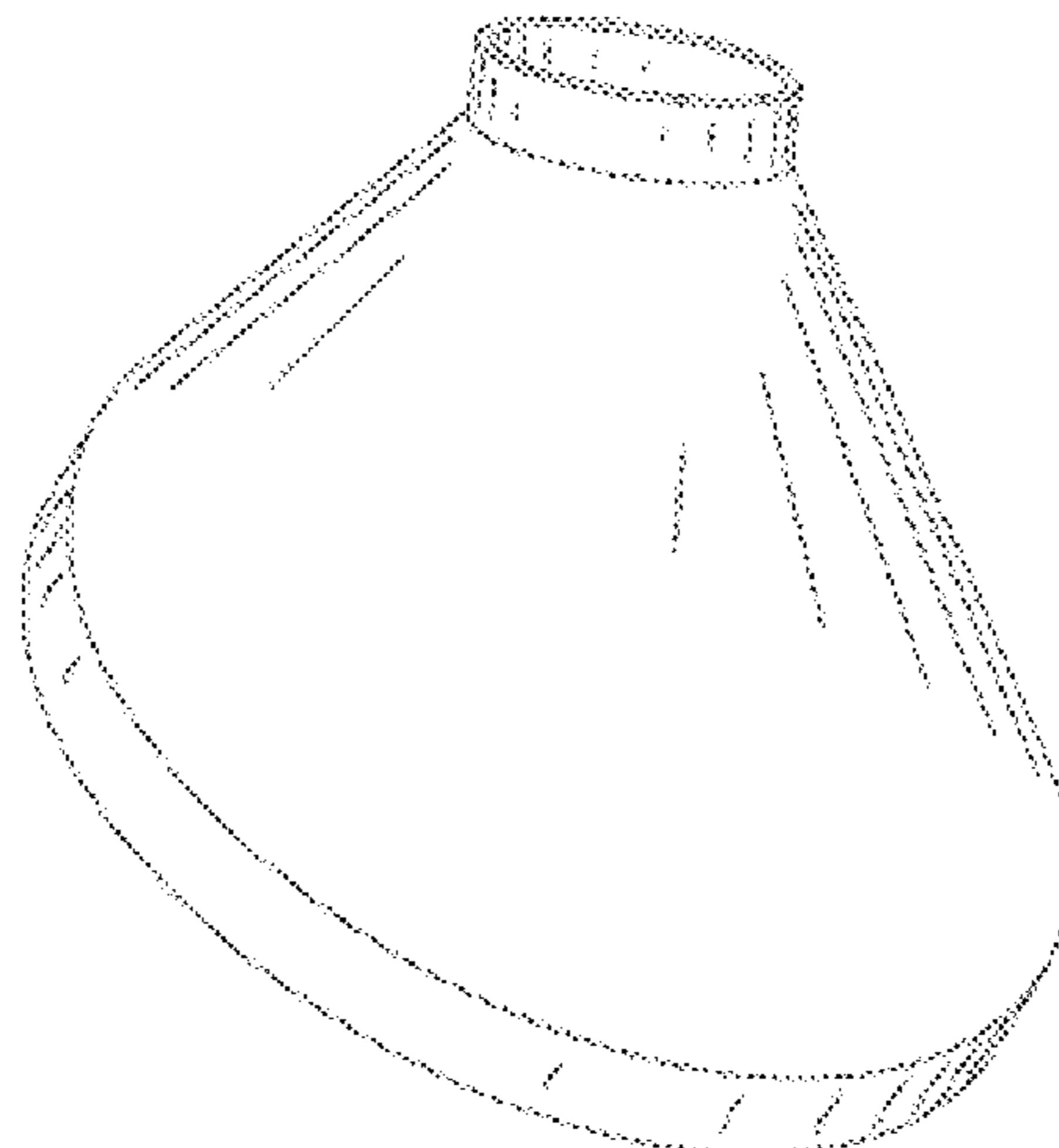
Primary Examiner — Philip S Hyder

(74) *Attorney, Agent, or Firm* — Eversheds Sutherland (US) LLP

(57) **CLAIM**

The ornamental design for a packaging material dispenser head, as shown and described.

1 Claim, 19 Drawing Sheets
(6 of 19 Drawing Sheet(s) Filed in Color)



(56)

References Cited

U.S. PATENT DOCUMENTS

7,025,301 B1 * 4/2006 Notarnicola A47K 10/3818
242/593
D541,116 S * 4/2007 Upham D7/700
D542,610 S * 5/2007 Silverman D7/700
D554,741 S * 11/2007 Peterson D23/225
8,210,449 B2 * 7/2012 Peterson B05B 7/1486
222/175
D728,327 S * 5/2015 Wirth D7/700
D738,169 S * 9/2015 Weisenbach D7/700
D763,335 S * 8/2016 Ruffin D15/150
D778,970 S * 2/2017 Levy D15/150
D790,662 S * 6/2017 Legatt D23/225
9,937,682 B2 * 4/2018 Schmid B31D 5/0039
D847,303 S * 4/2019 Becker D23/225
2007/0117703 A1 * 5/2007 Cavaliere, Jr. B31D 5/0052
493/464
2008/0076653 A1 * 3/2008 Shaw B31D 5/006
493/464
2011/0079321 A1 * 4/2011 Mattson B05B 7/1409
141/344
2012/0053033 A1 * 3/2012 Sprick-Schuetz
B31D 5/0043
493/38
2013/0313338 A1 * 11/2013 Liang B05B 7/2413
239/310
2014/0116514 A1 * 5/2014 Tix B29B 13/02
137/1
2015/0330089 A1 * 11/2015 Finstad E04F 21/12
239/8
2017/0100906 A1 * 4/2017 Beaver B31D 5/0052

* cited by examiner

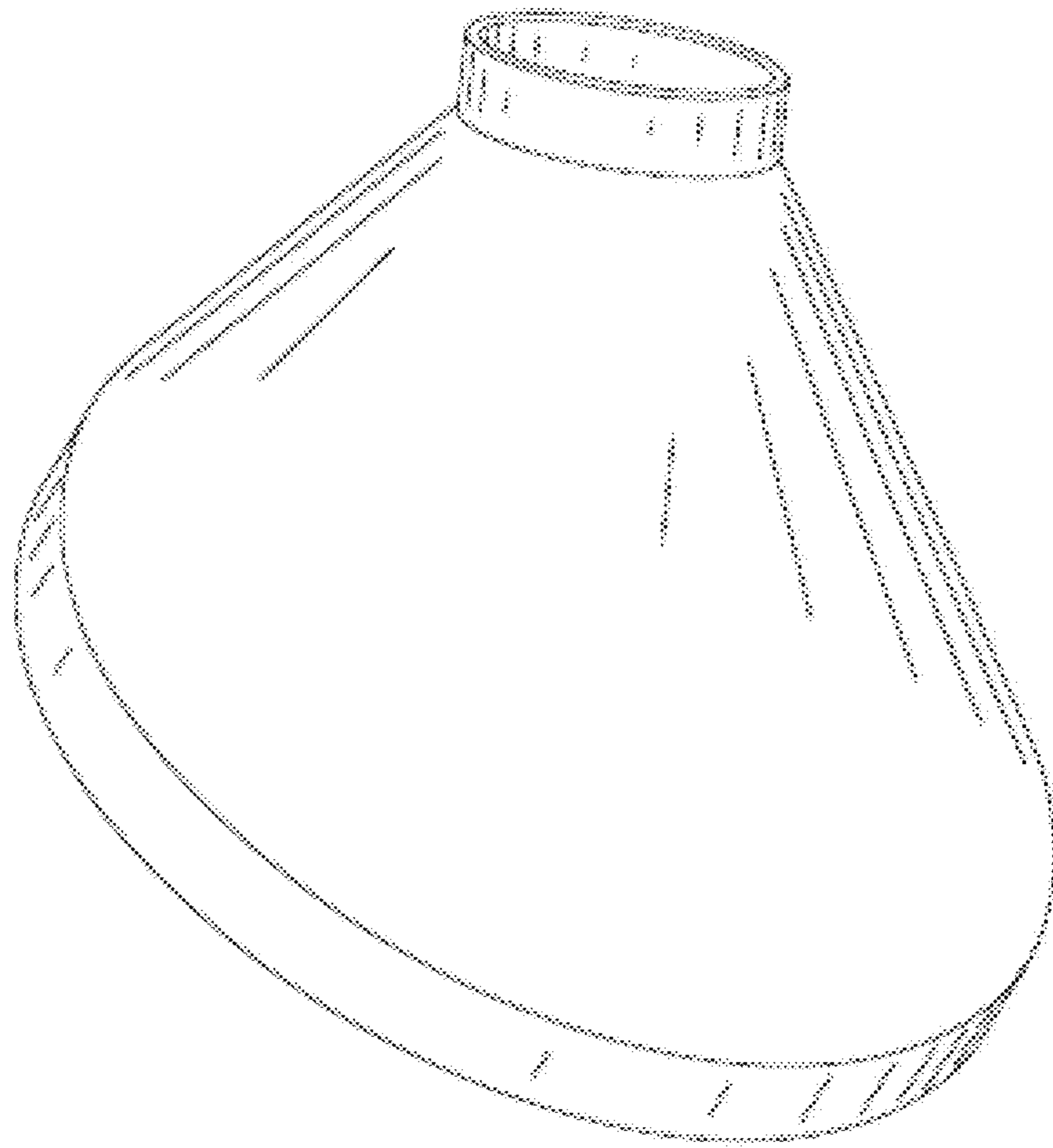


FIG. 1

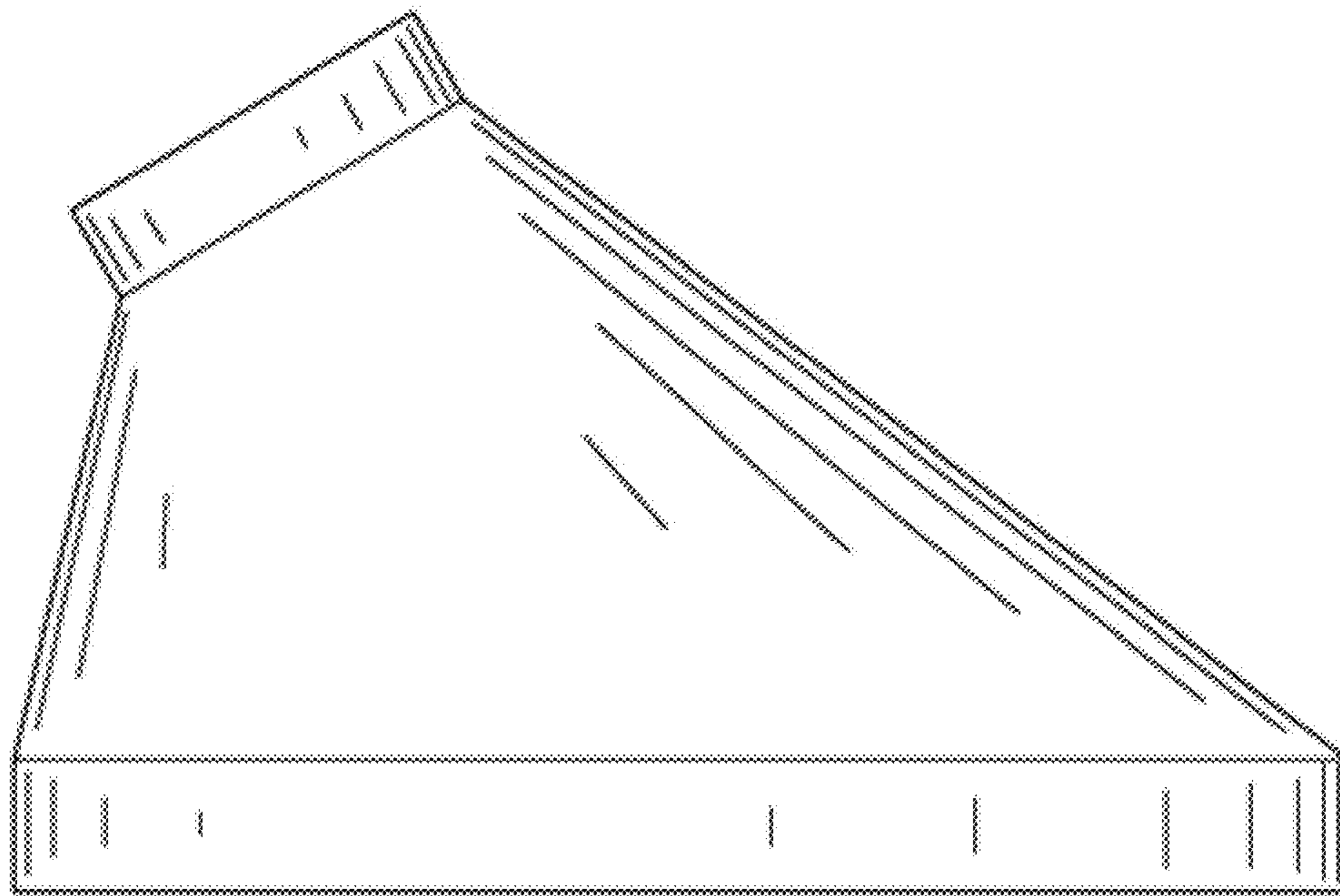


FIG. 2

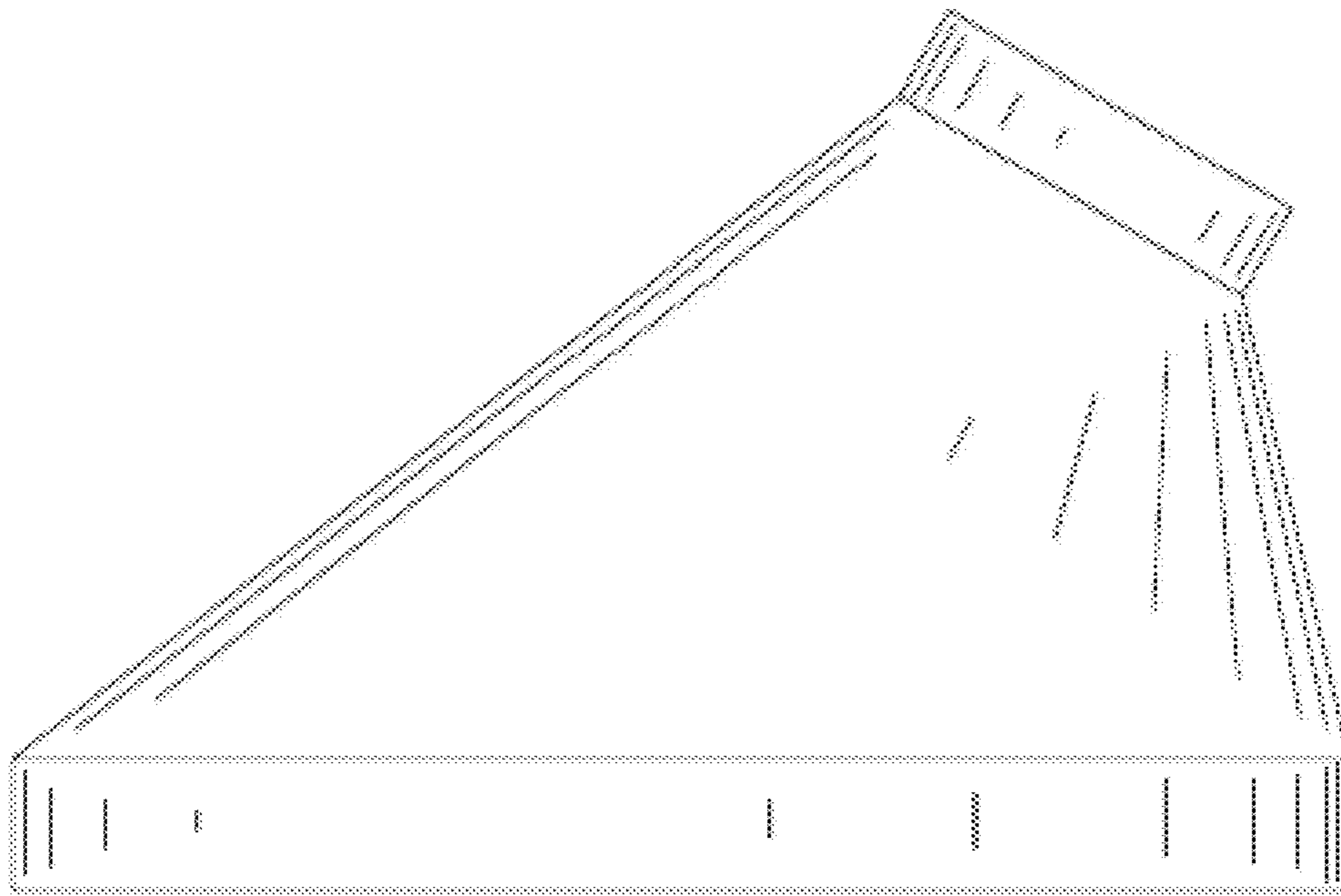


FIG. 3

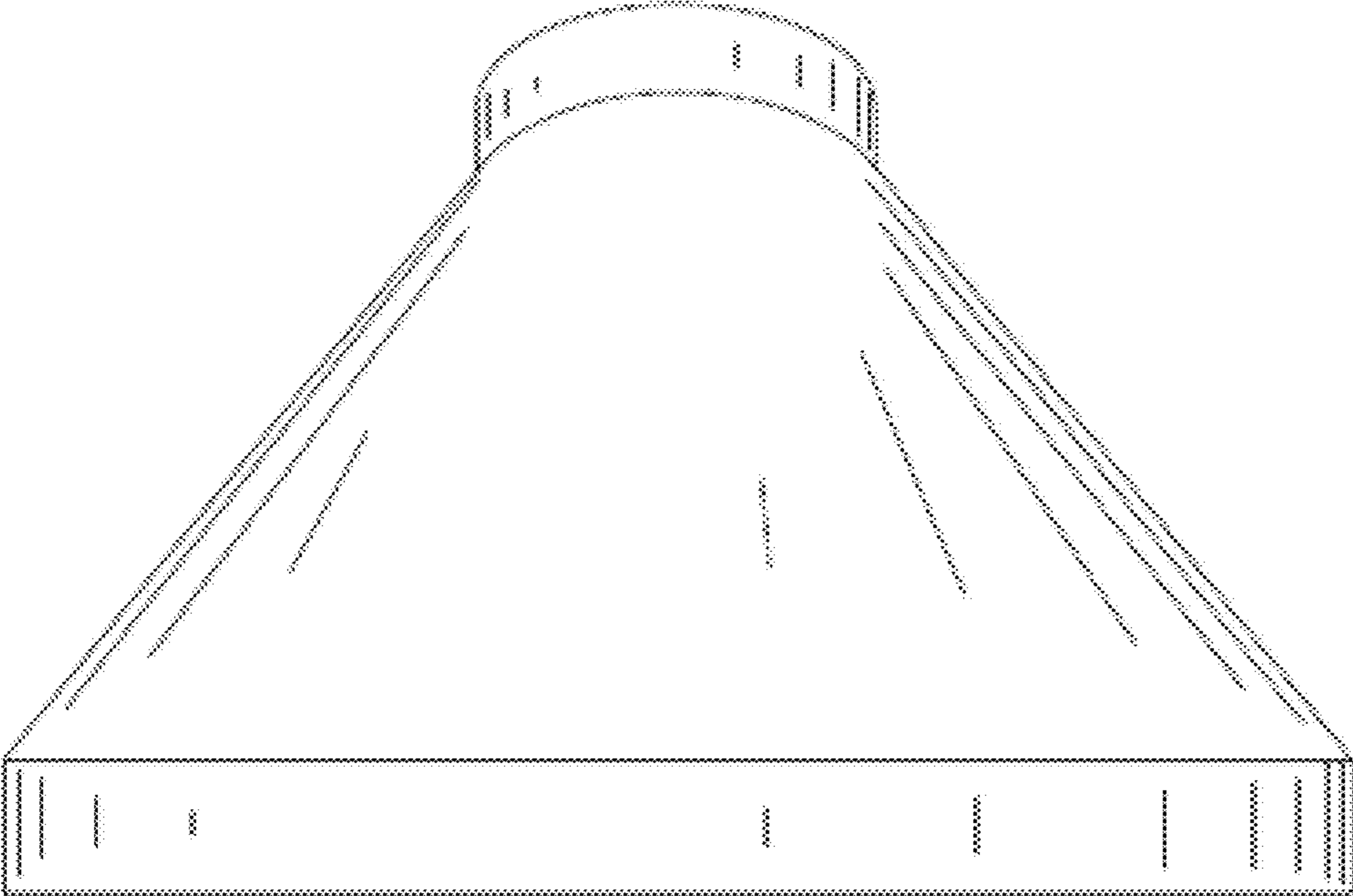


FIG. 4

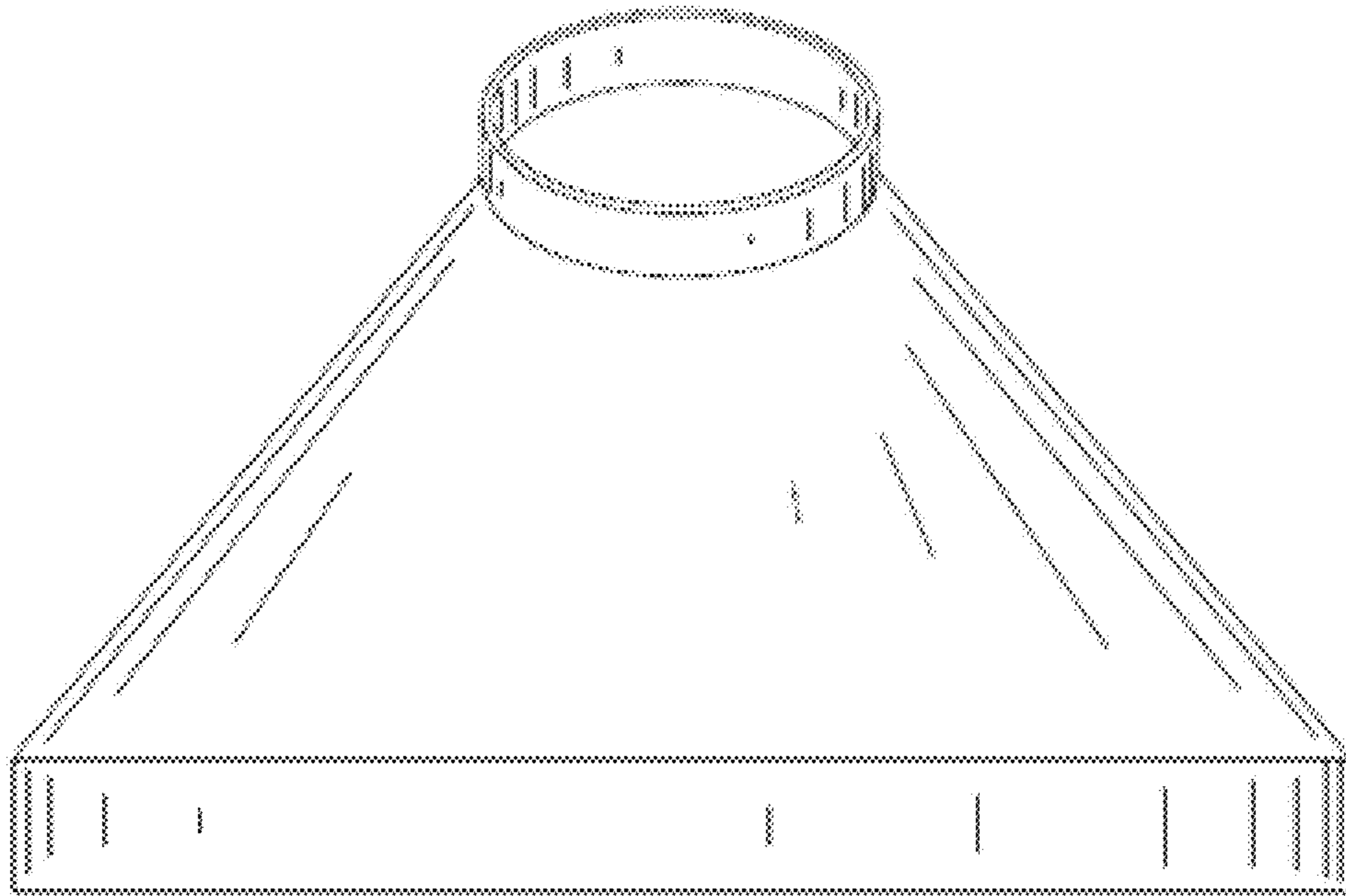


FIG. 5

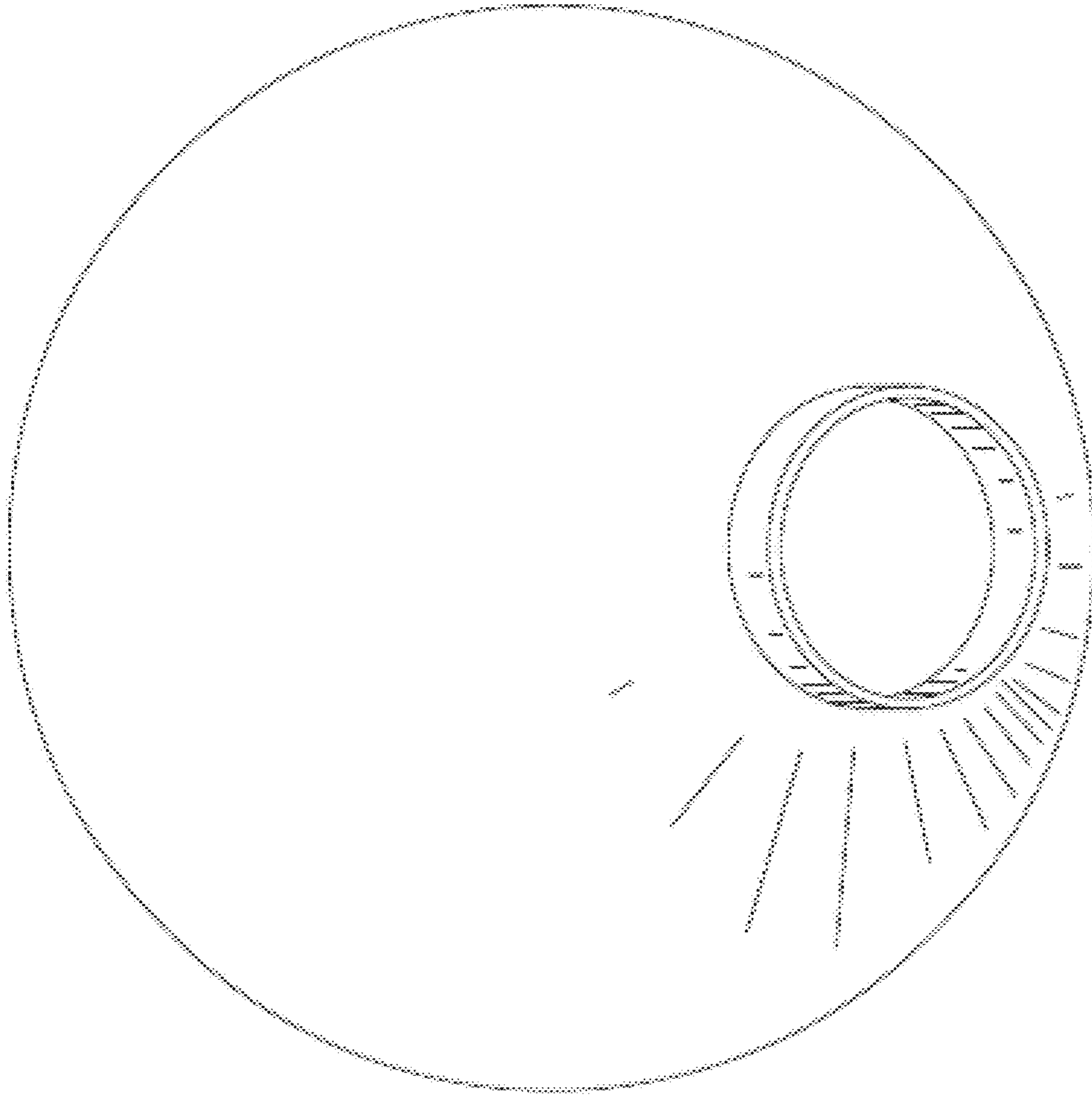


FIG. 6

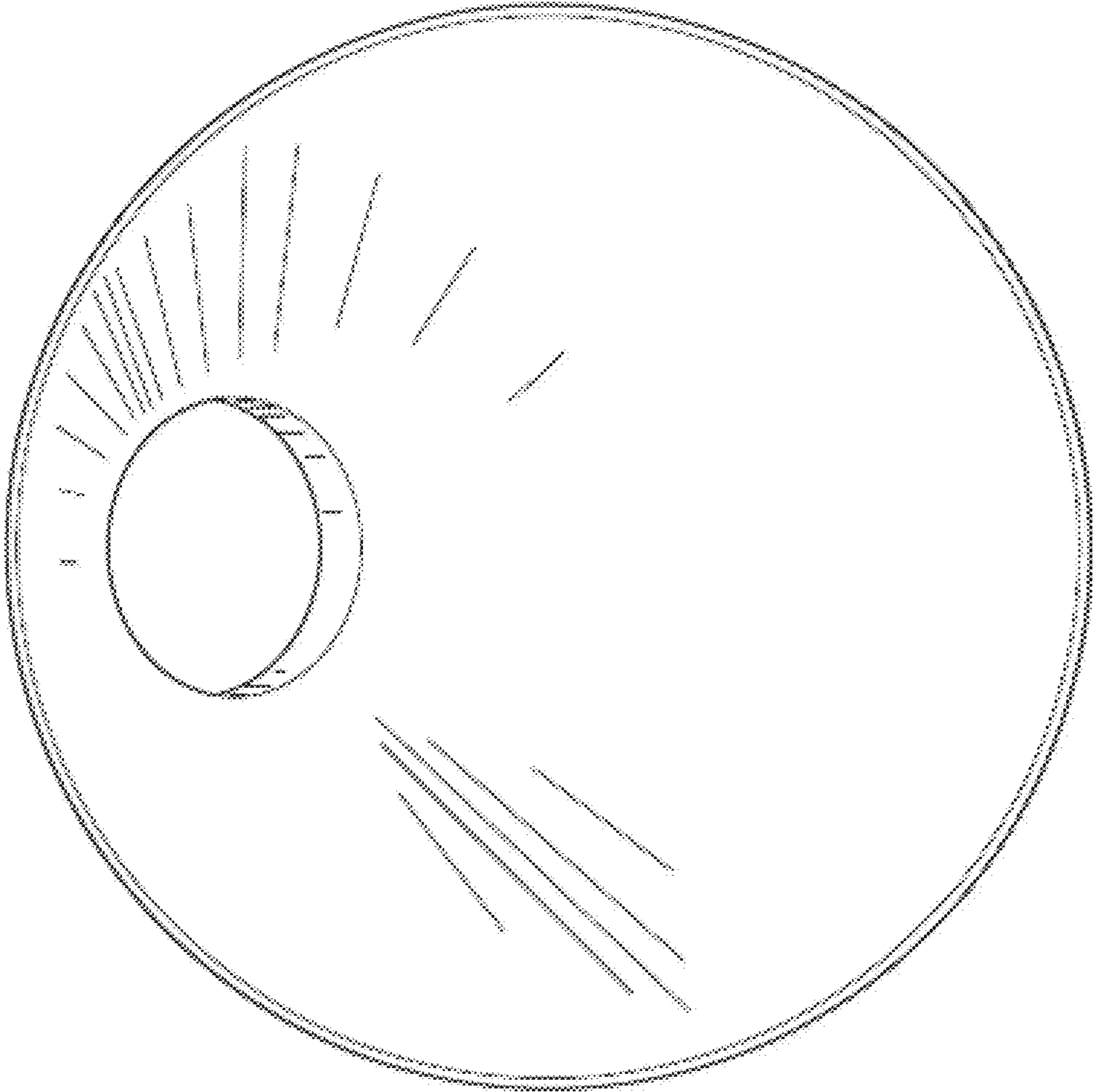


FIG. 7

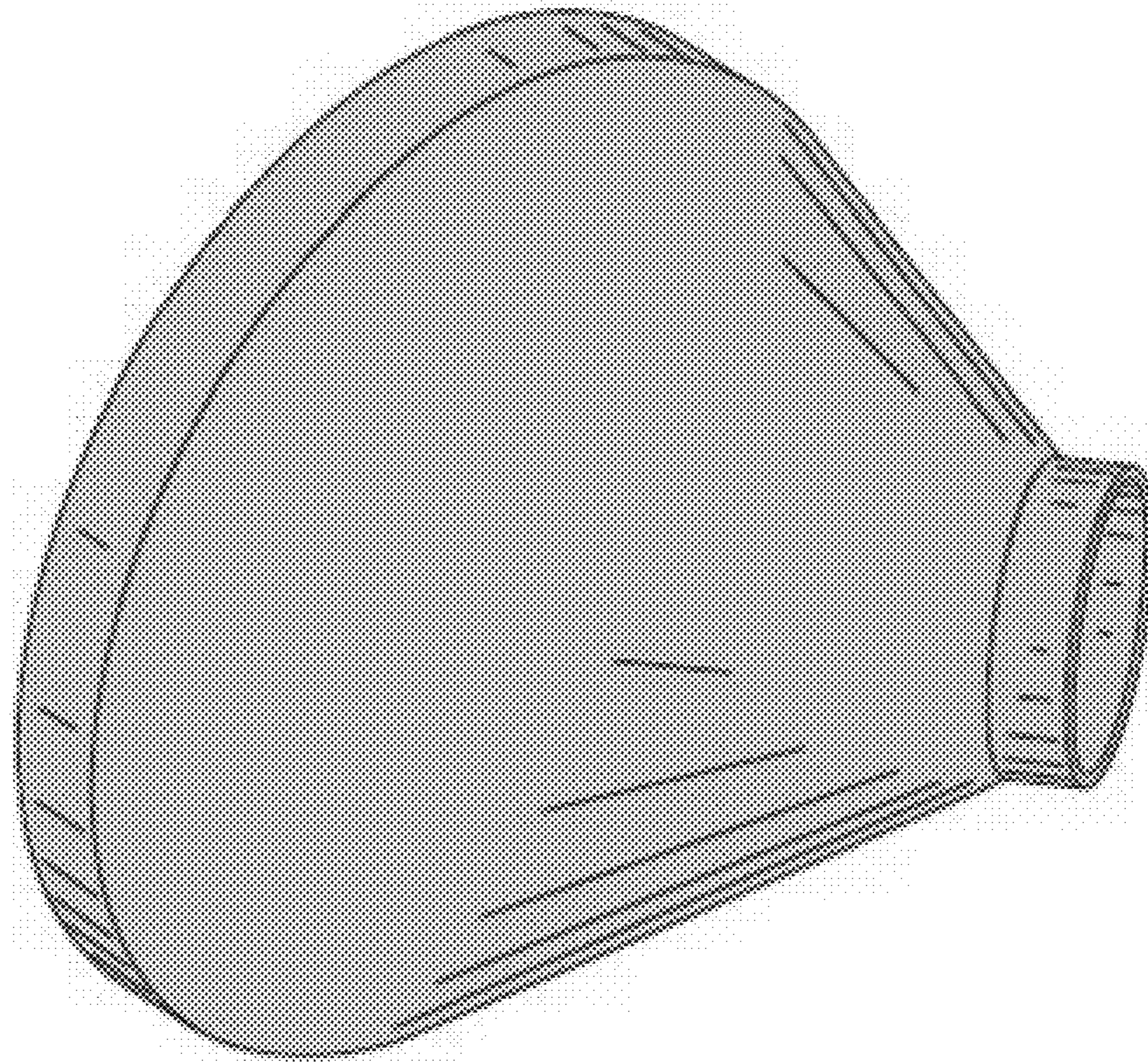


FIG. 8

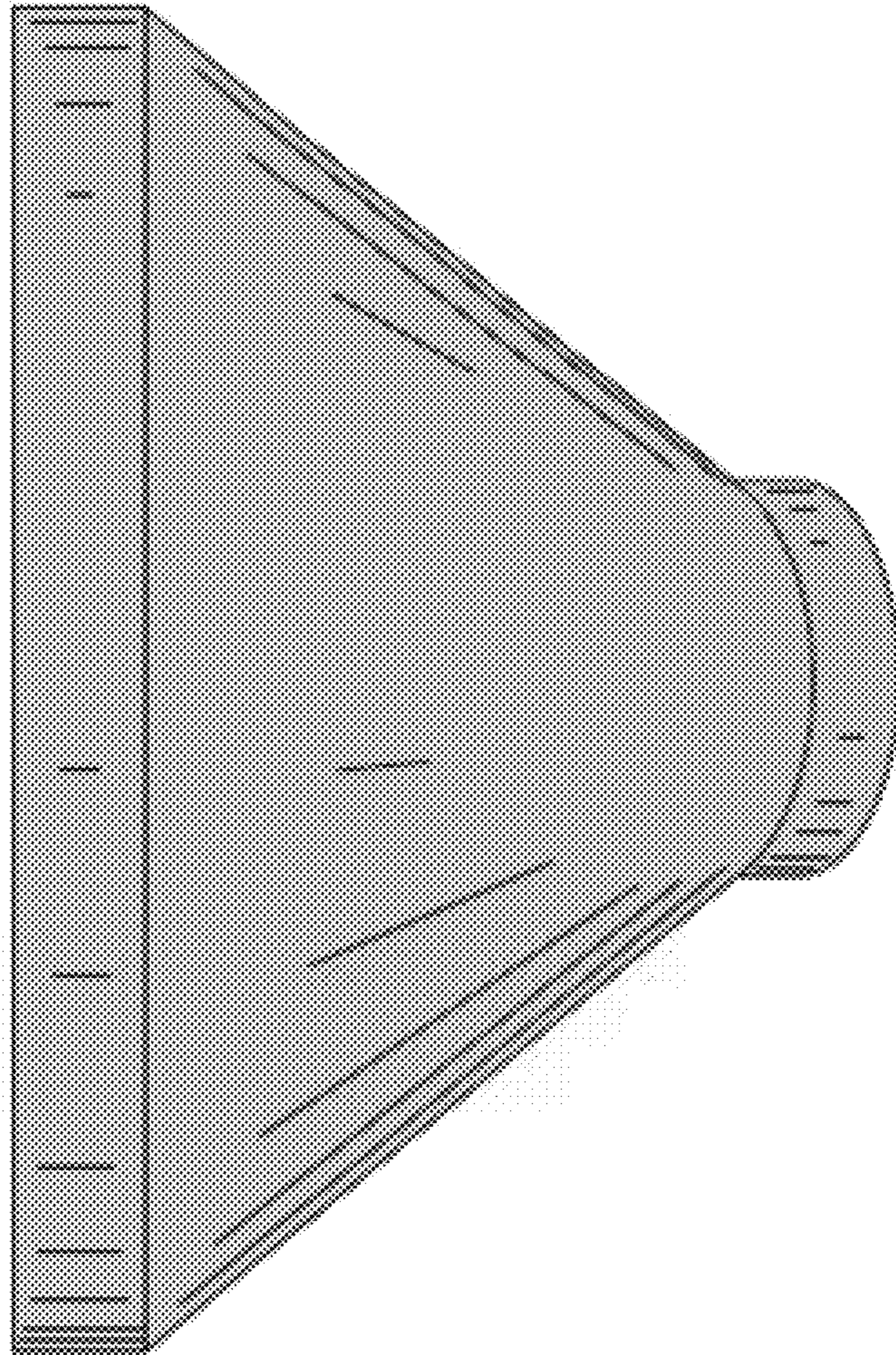


FIG. 9

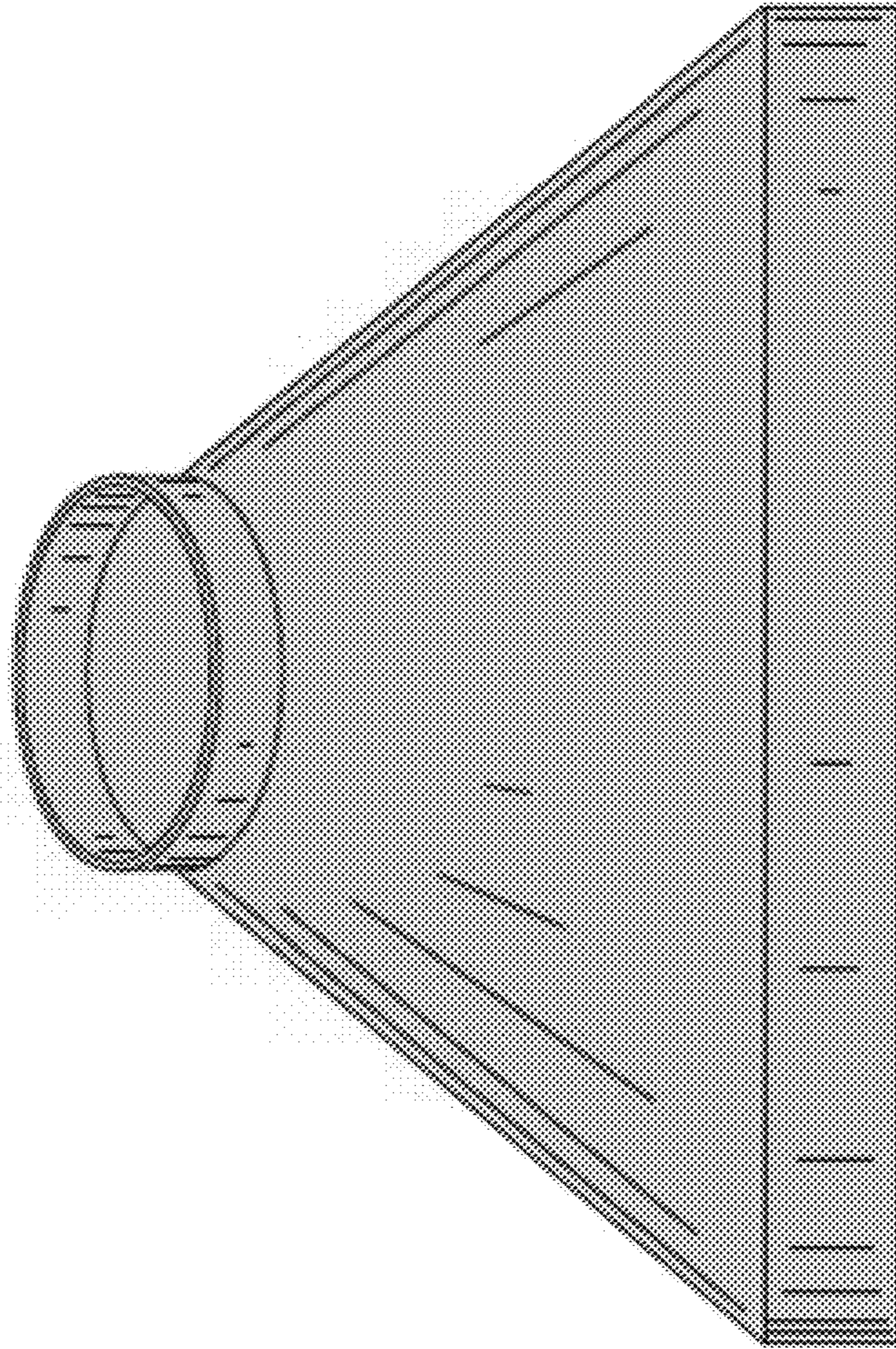


FIG. 10

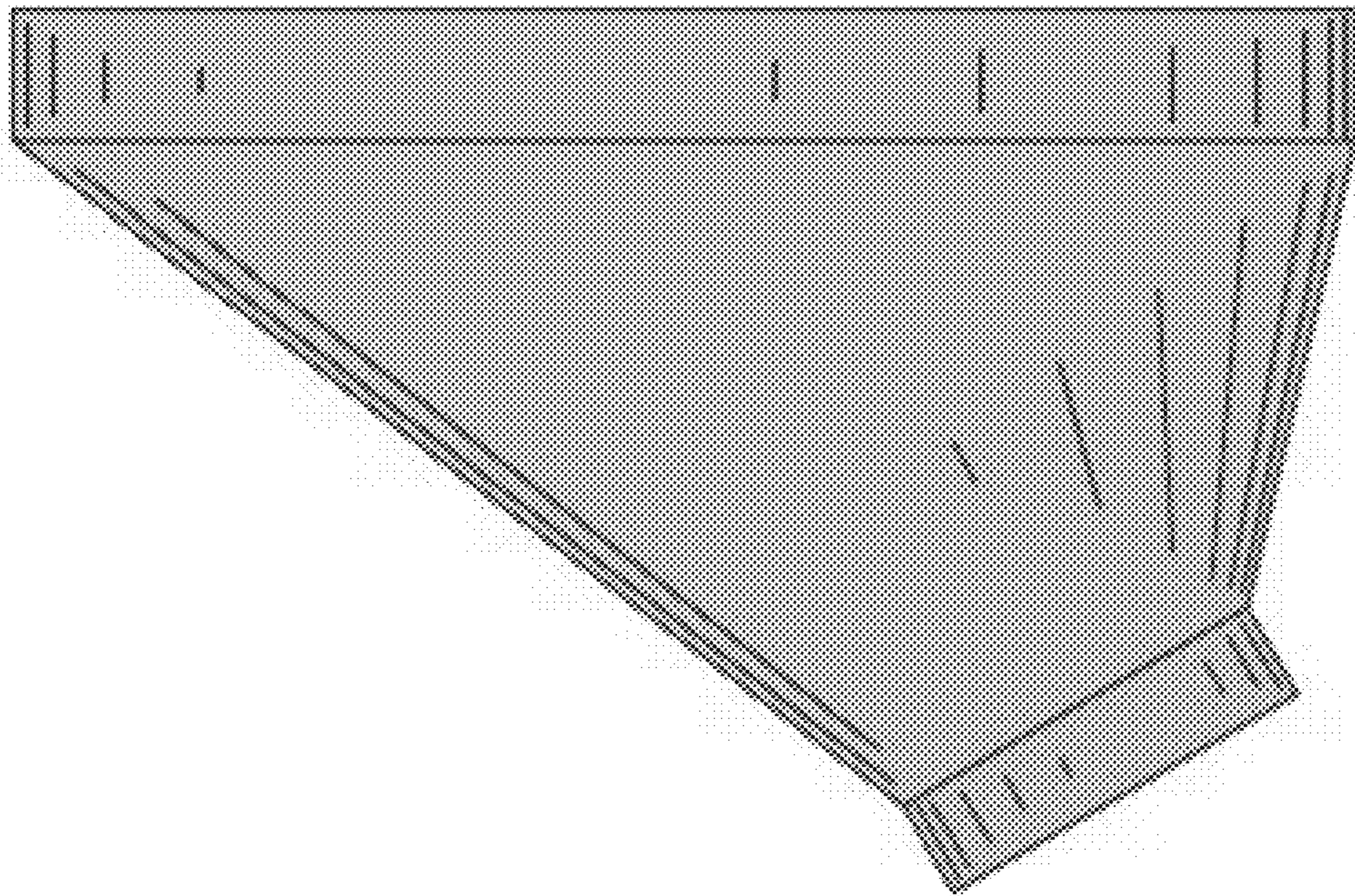


FIG. 11

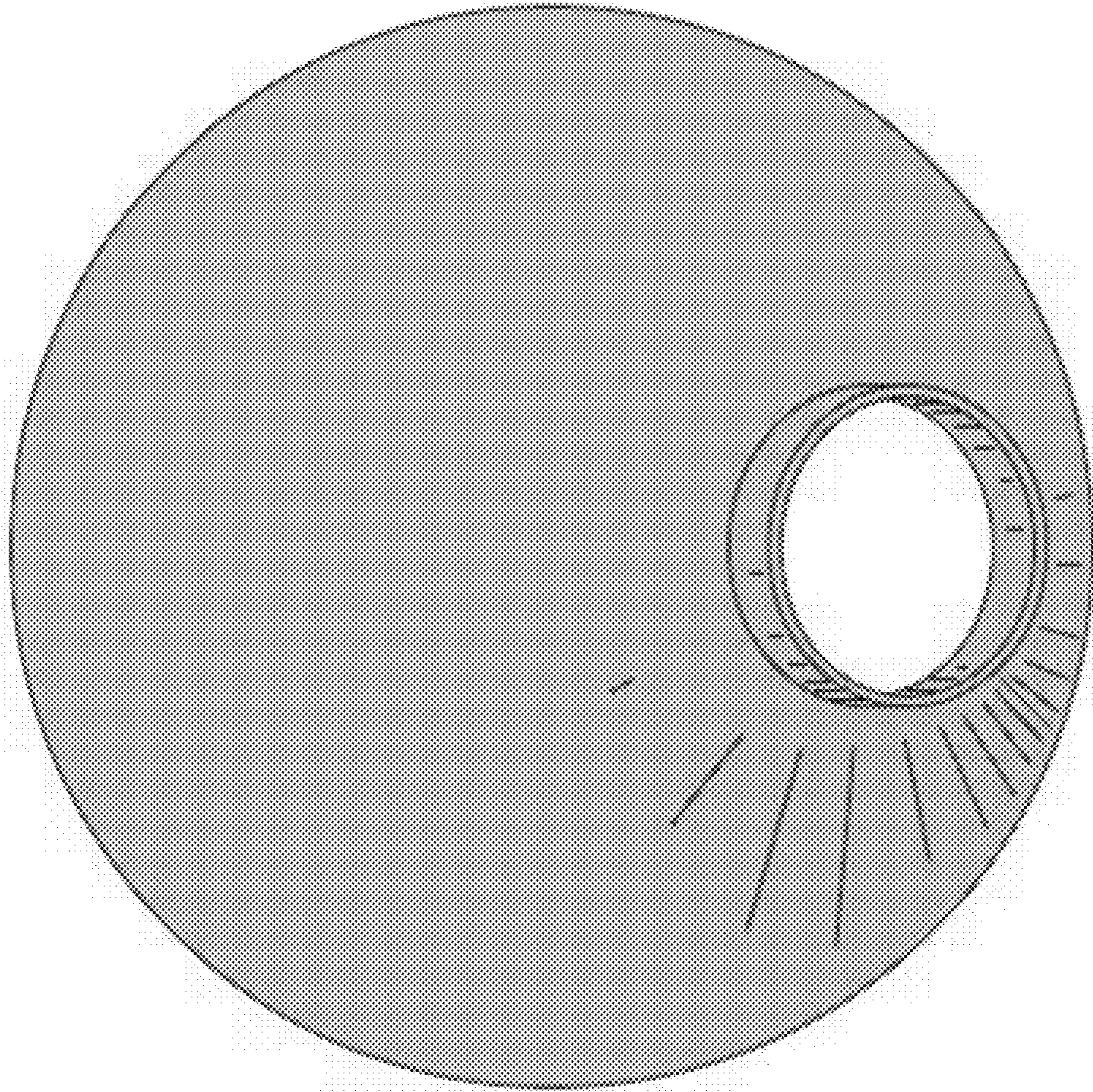


FIG. 12

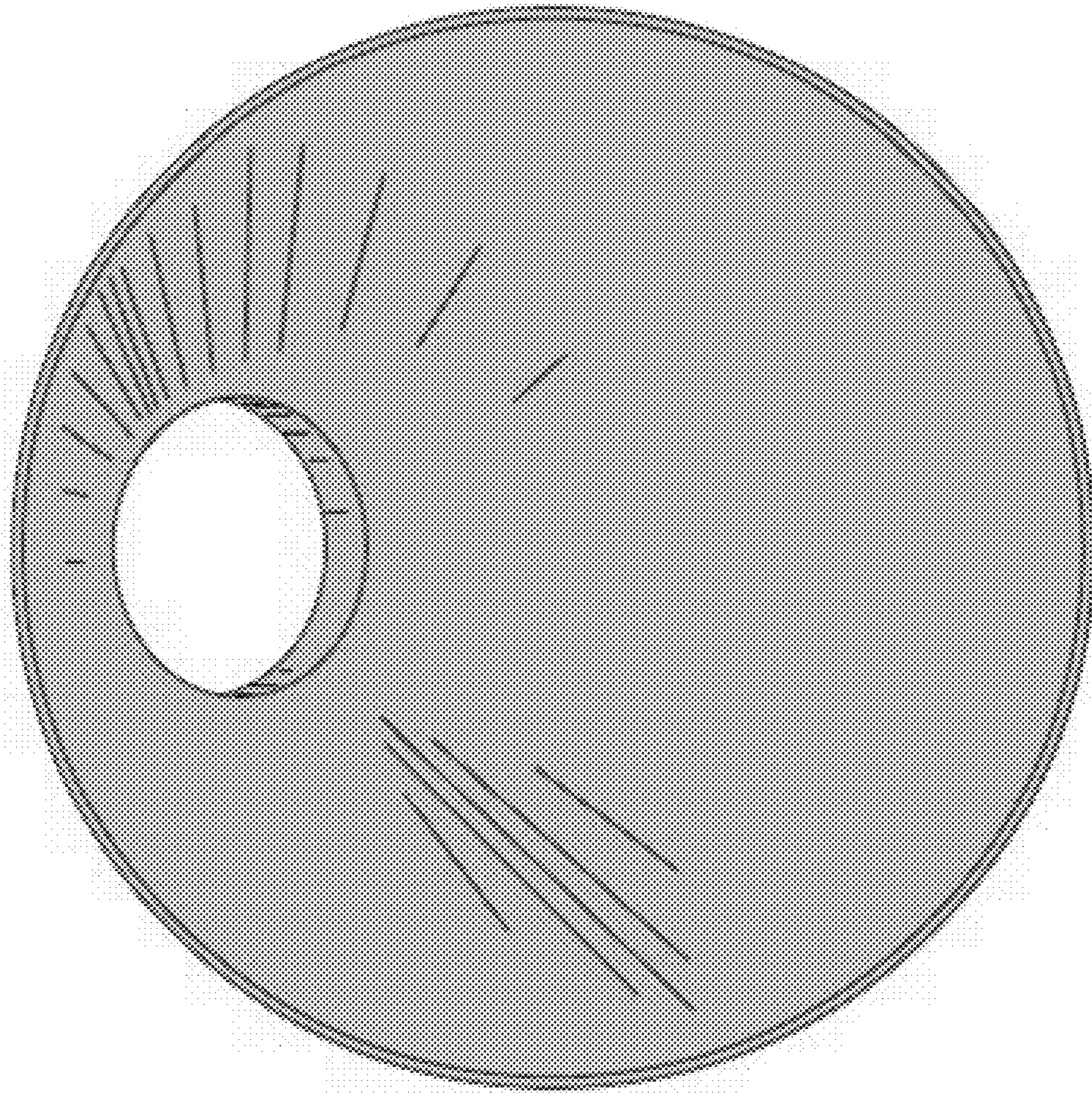


FIG. 13

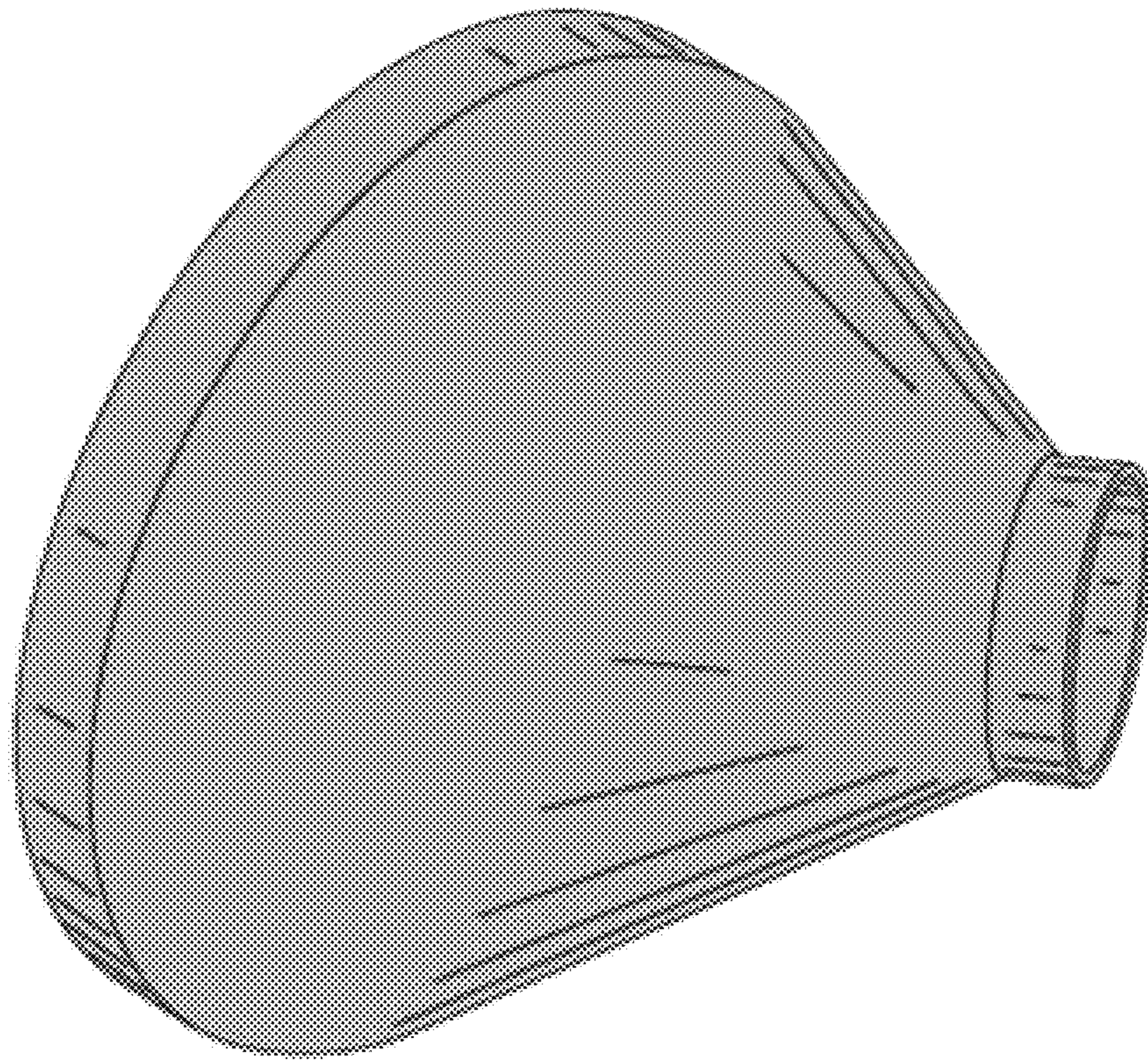


FIG. 14

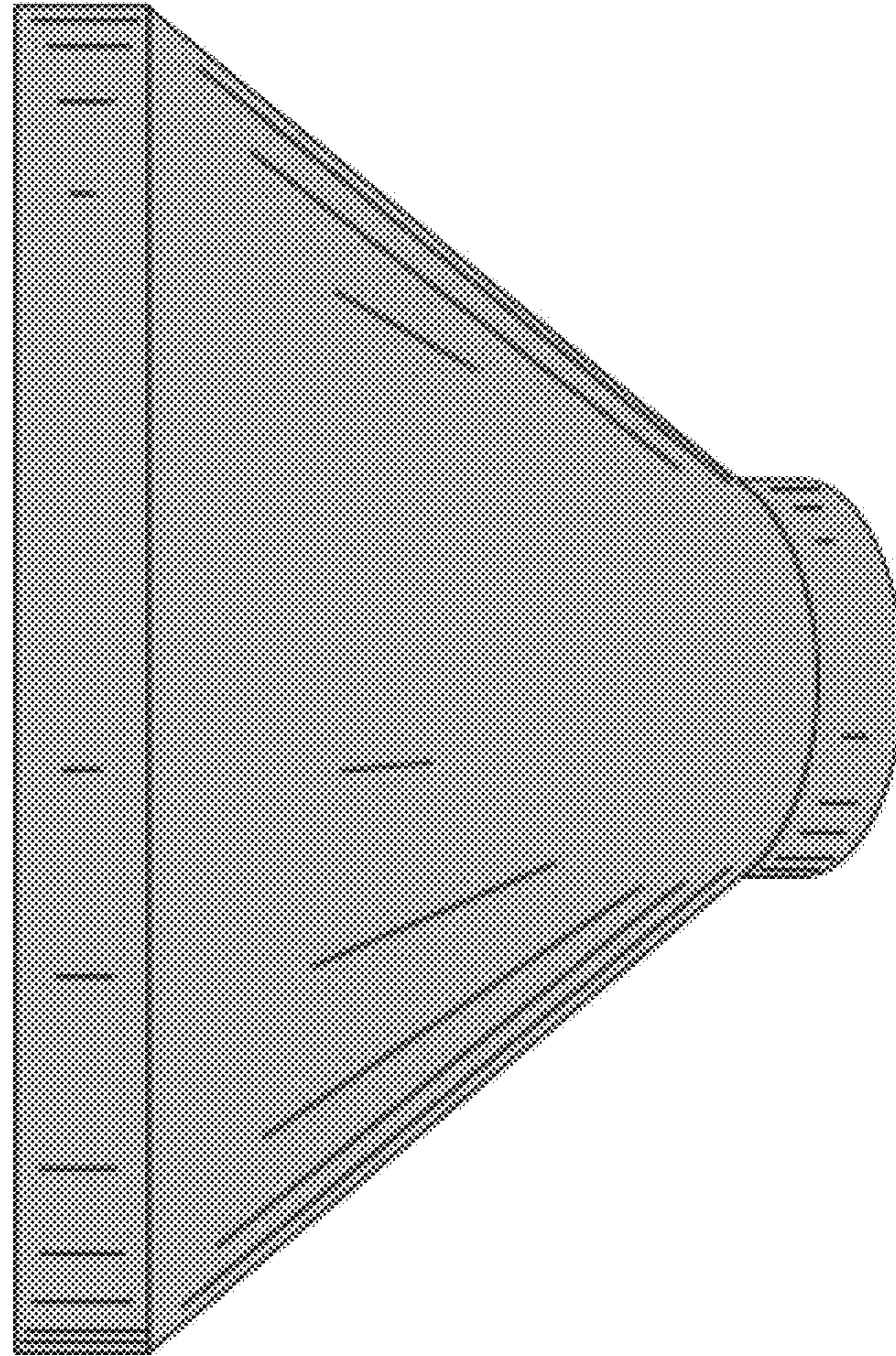


FIG. 15

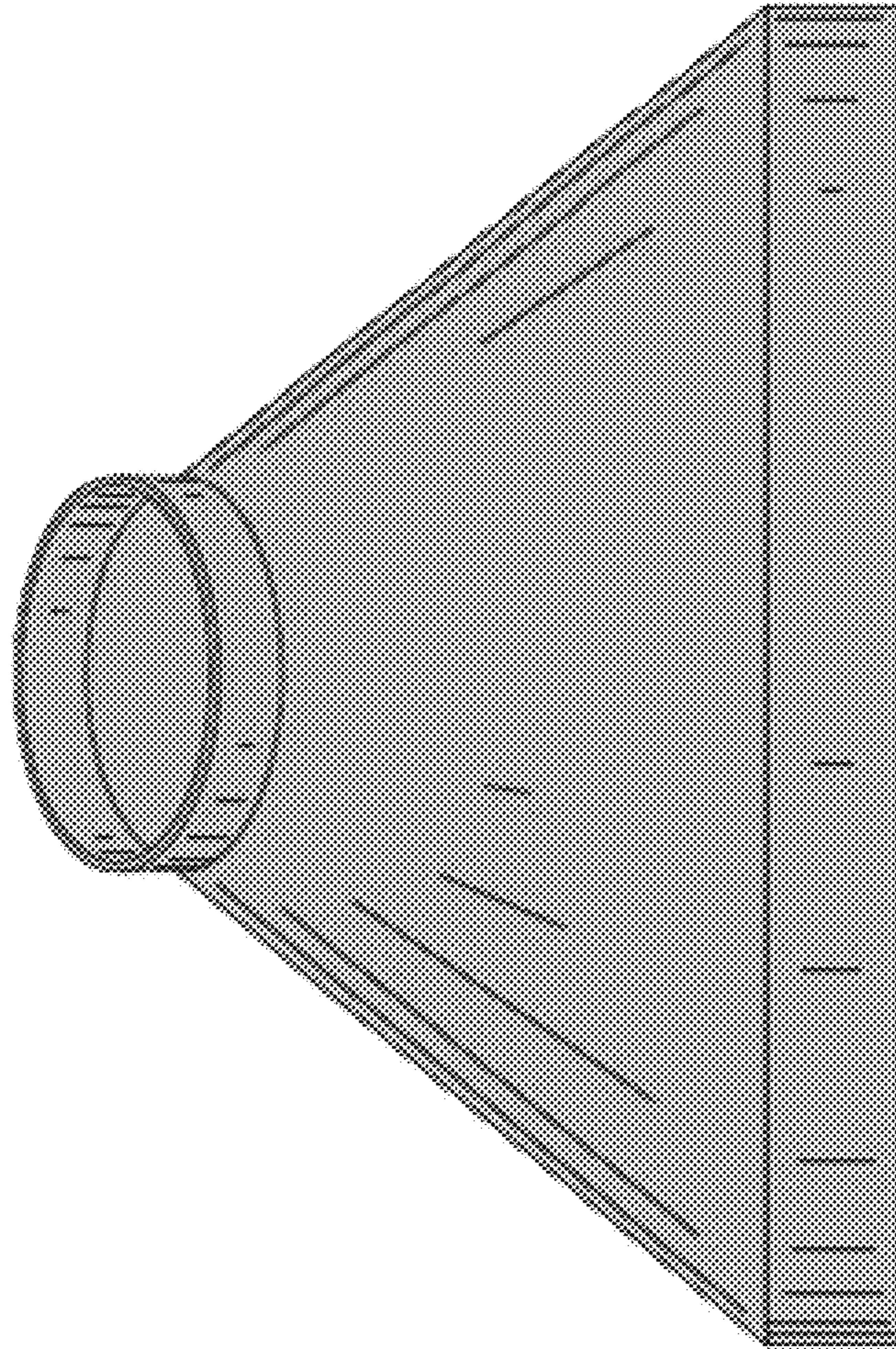


FIG. 16

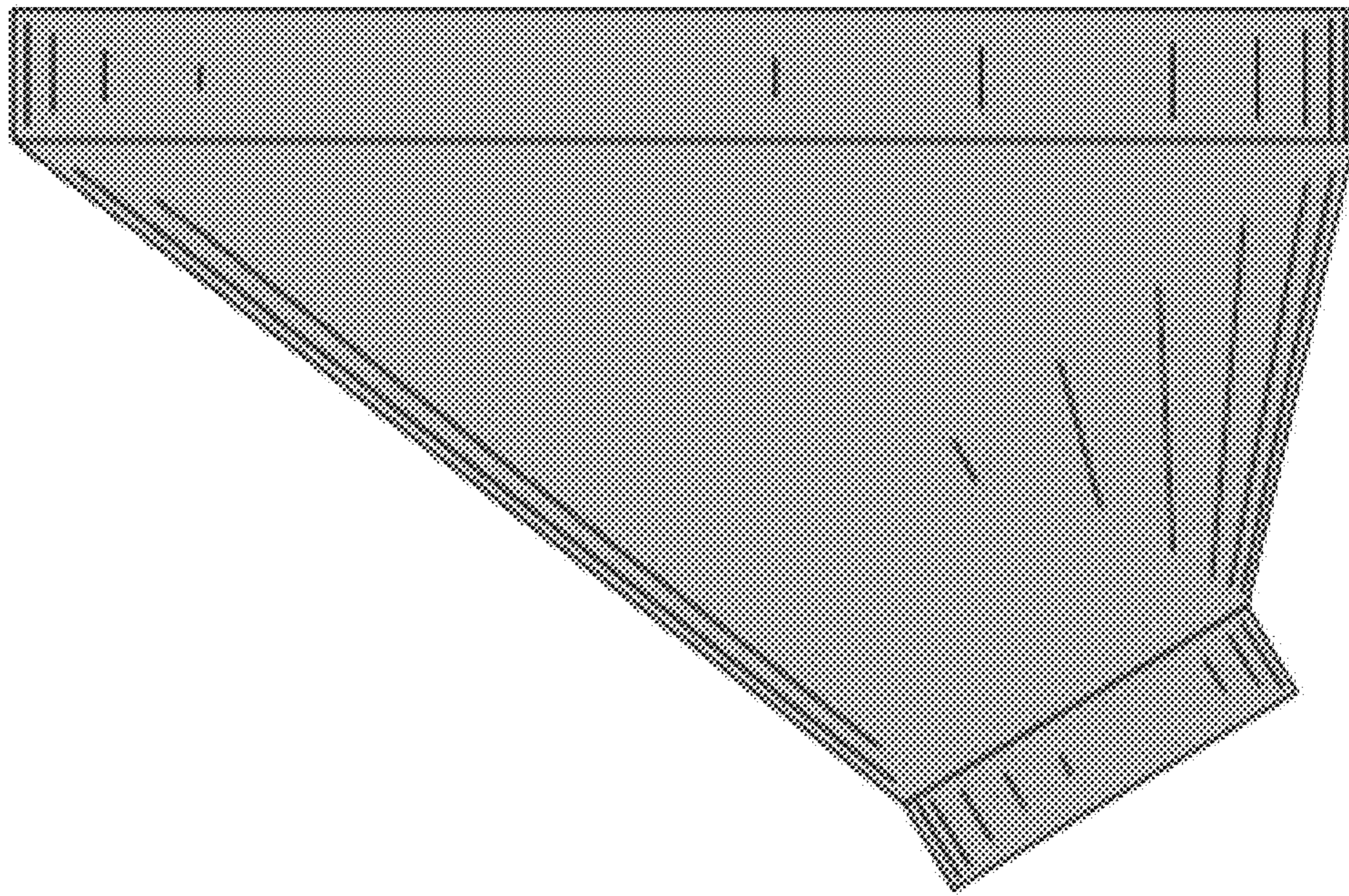


FIG. 17

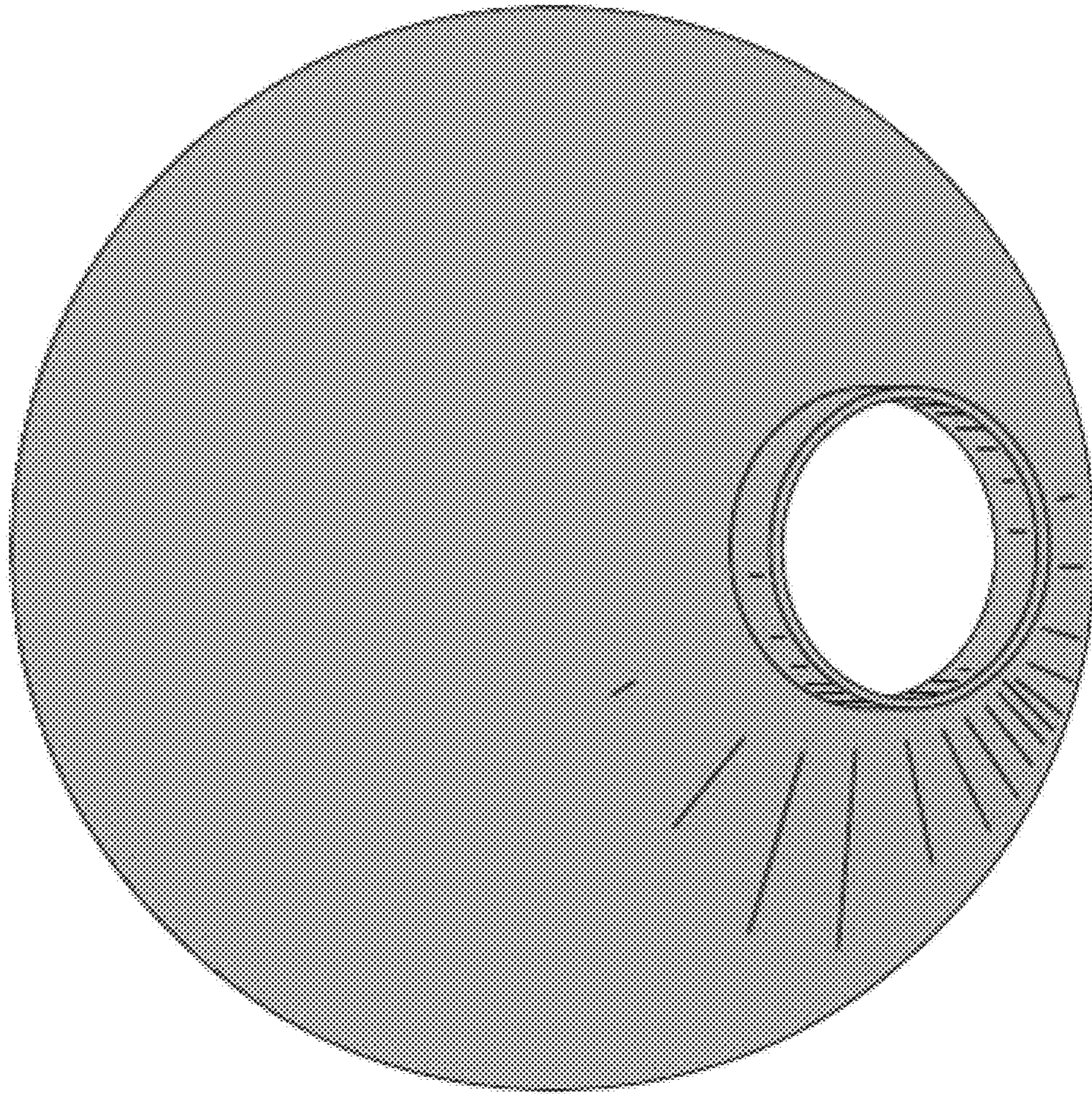


FIG. 18

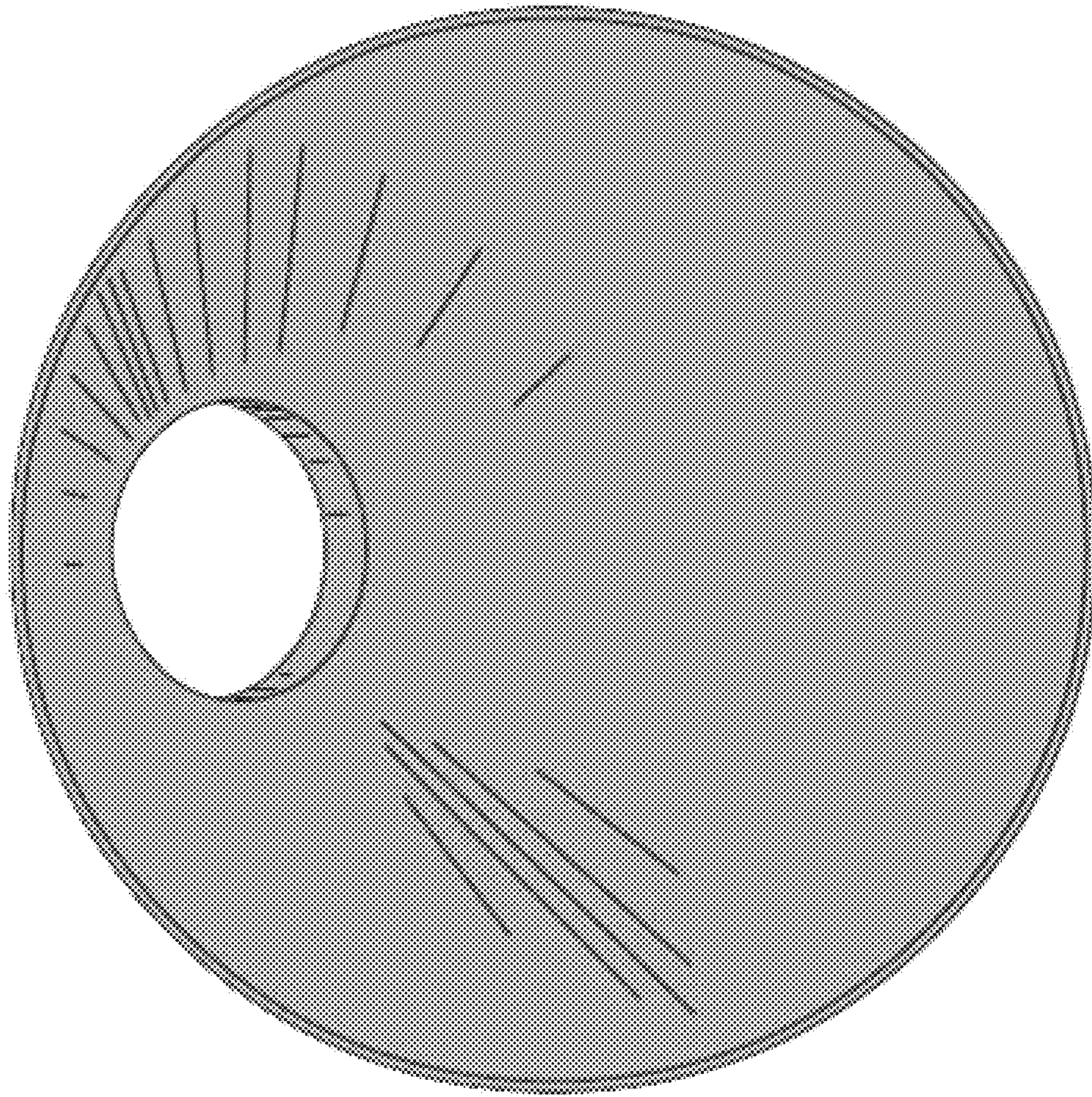


FIG. 19