



US00D889520S

(12) **United States Design Patent** (10) **Patent No.:** **US D889,520 S**
Hawley et al. (45) **Date of Patent:** **** Jul. 7, 2020**

(54) **NEUTRODE**
(71) Applicant: **OERLIKON METCO (US) INC.**,
Westbury, NY (US)
(72) Inventors: **David Hawley**, Kings Park, NY (US);
Ronald J. Molz, Farmingville, NY
(US); **Robert F. Savill, Jr.**, Levittown,
NY (US)
(73) Assignee: **OERLIKON METCO (US) INC.**,
Westbury, NY (US)
(**) Term: **15 Years**
(21) Appl. No.: **29/597,354**
(22) Filed: **Mar. 16, 2017**
(51) **LOC (12) Cl.** **15-09**
(52) **U.S. Cl.**
USPC **D15/144**
(58) **Field of Classification Search**
USPC D15/138, 144, 144.1, 144.2, 148
CPC H01J 25/587; H05H 1/34
See application file for complete search history.

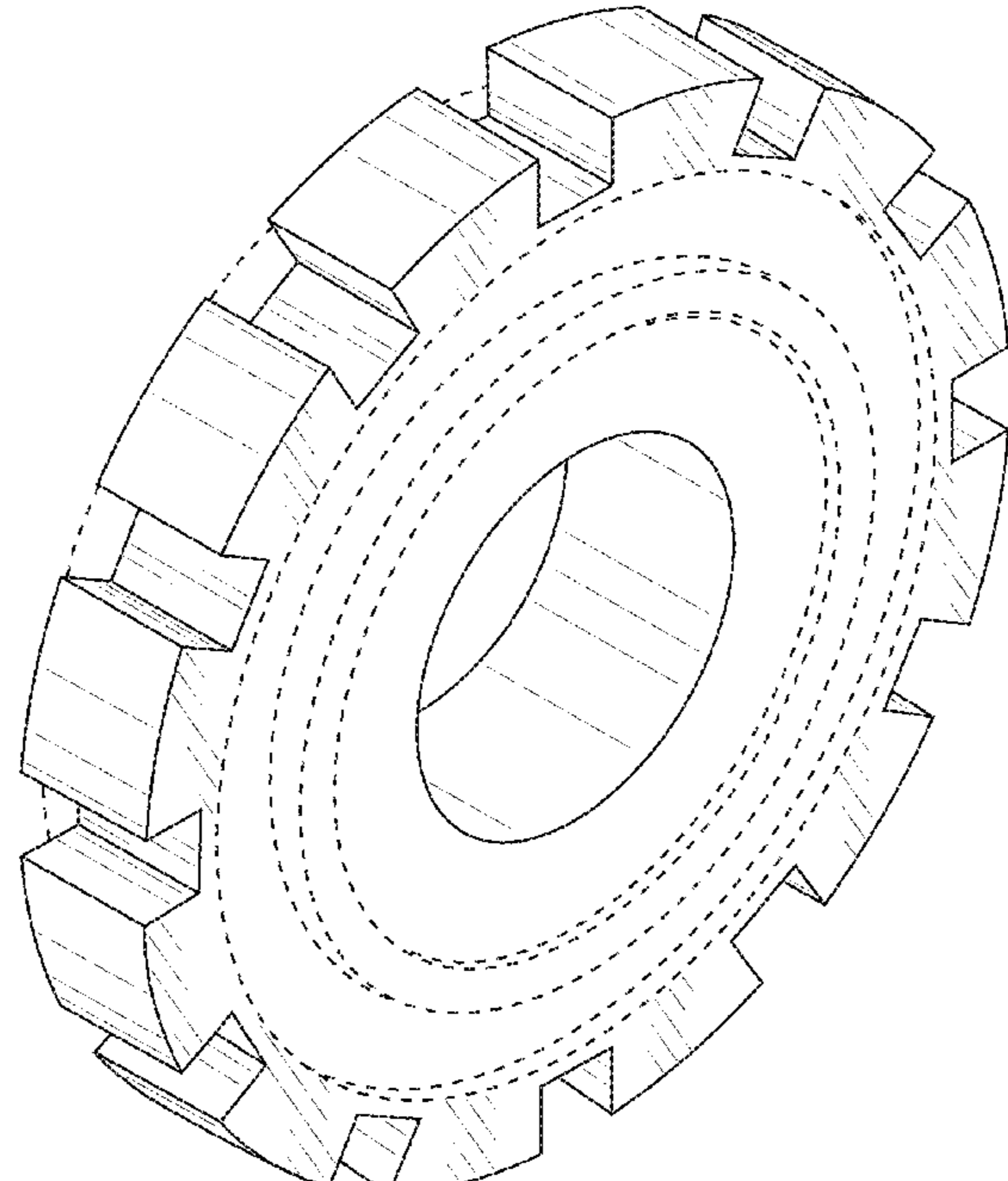
D740,867 S * 10/2015 Barta D15/148
D826,082 S * 8/2018 Khubani D11/121
2004/0084663 A1* 5/2004 Van Cor B66D 1/005
254/323
2007/0230174 A1* 10/2007 Hicks A47G 33/06
362/249.16
2008/0251503 A1* 10/2008 Noujaim H05H 1/34
219/121.47
2010/0237050 A1* 9/2010 Zehavi H05H 1/42
219/121.47
2014/0326703 A1* 11/2014 Molz H05H 1/34
219/121.47
2015/0323068 A1* 11/2015 Han F16H 3/083
74/374
2016/0040726 A1* 2/2016 Shiotsu F16D 11/14
74/333
2016/0167063 A1* 6/2016 Hawley B05B 7/222
427/446

* cited by examiner
Primary Examiner — Patricia A Palasik
(74) *Attorney, Agent, or Firm* — Greenblum & Bernstein,
P.L.C.

(57) **CLAIM**
We claim the ornamental design for a neutrode, as shown
and described.

(56) **References Cited**
U.S. PATENT DOCUMENTS
2,995,715 A * 8/1961 Wilbur H03C 1/30
331/86
3,134,047 A * 5/1964 Wilbur H01J 25/587
315/39.55
5,223,067 A * 6/1993 Hamamoto B29C 53/805
156/173
5,856,647 A * 1/1999 Luo B23K 10/00
219/121.48
D681,706 S * 5/2013 Savill, Jr. D15/144
D704,756 S * 5/2014 Voelker D15/148

DESCRIPTION
FIG. 1 shows a front side view of a neutrode;
FIG. 2 shows a rear side view of FIG. 1;
FIG. 3 shows a left side view of FIG. 1;
FIG. 4 shows a right side view of FIG. 1;
FIG. 5 shows a bottom view of FIG. 1;
FIG. 6 shows a top view of FIG. 1;
FIG. 7 shows a front side perspective view of FIG. 1; and,
FIG. 8 shows a rear side perspective view of FIG. 1.
1 Claim, 8 Drawing Sheets



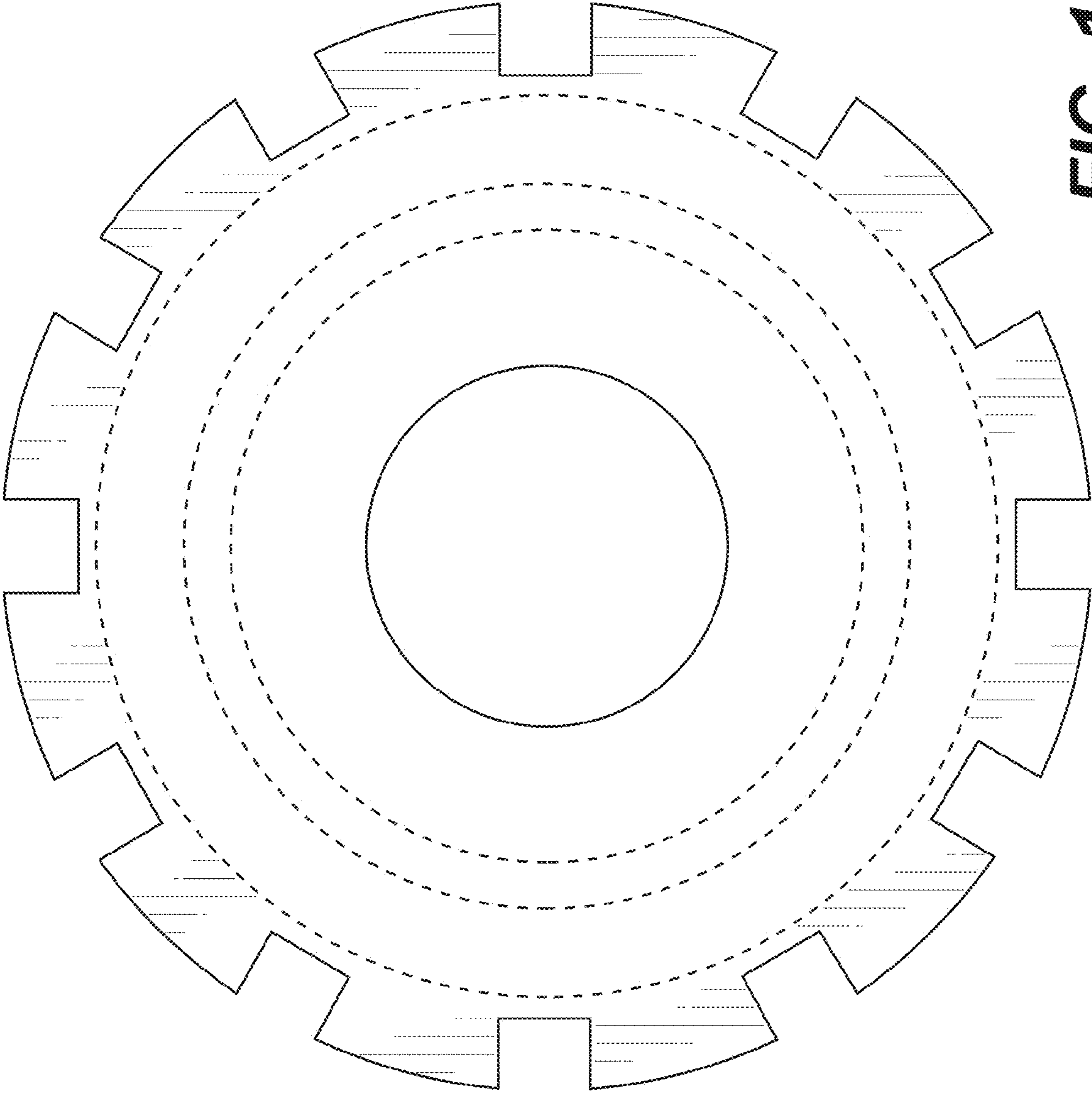


FIG. 1

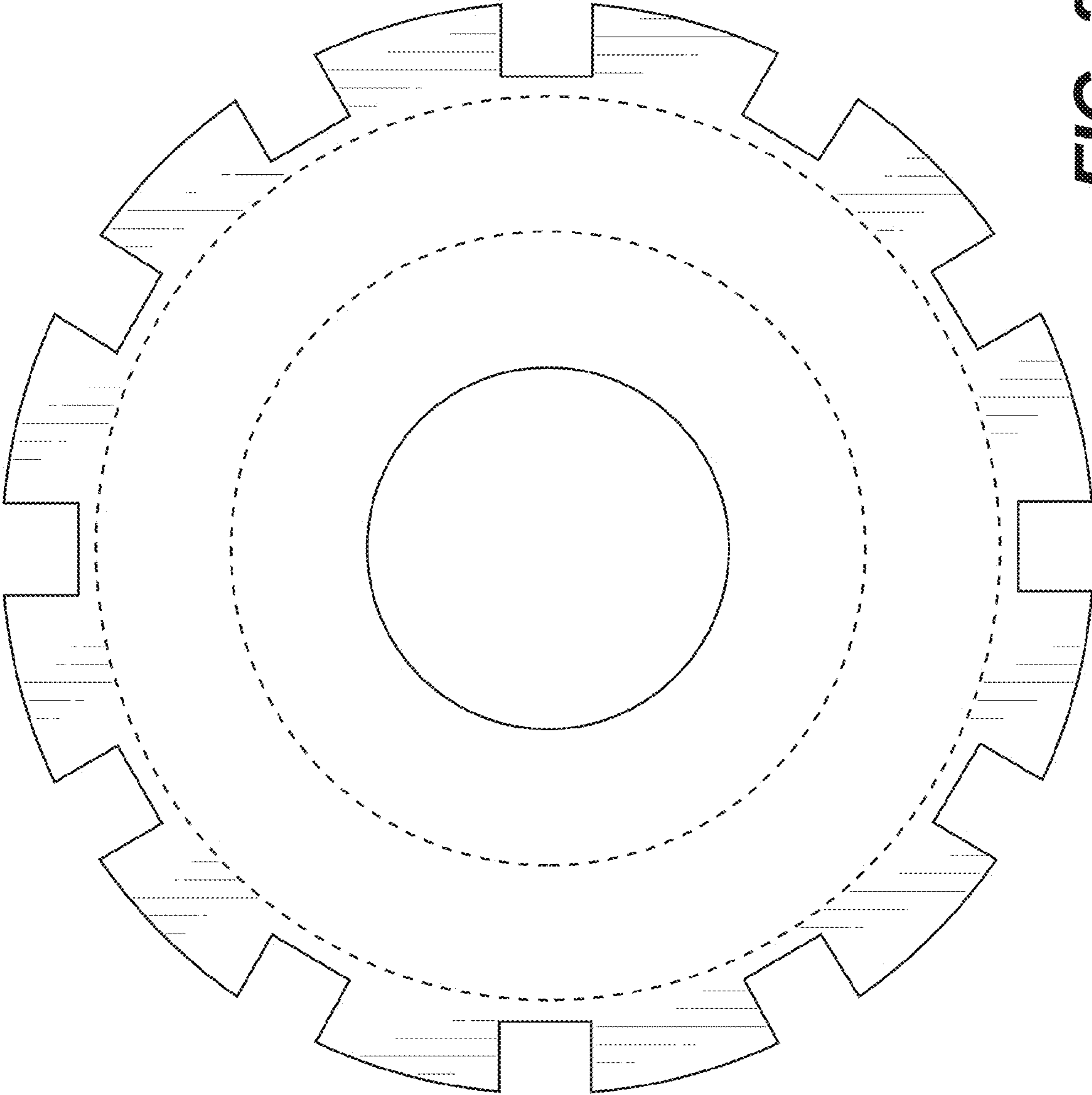


FIG. 2

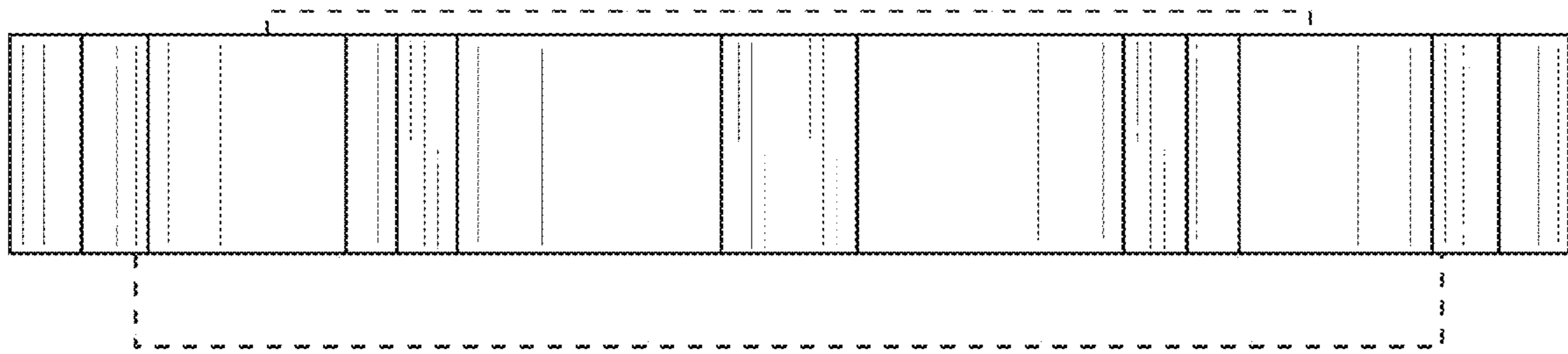


FIG. 3

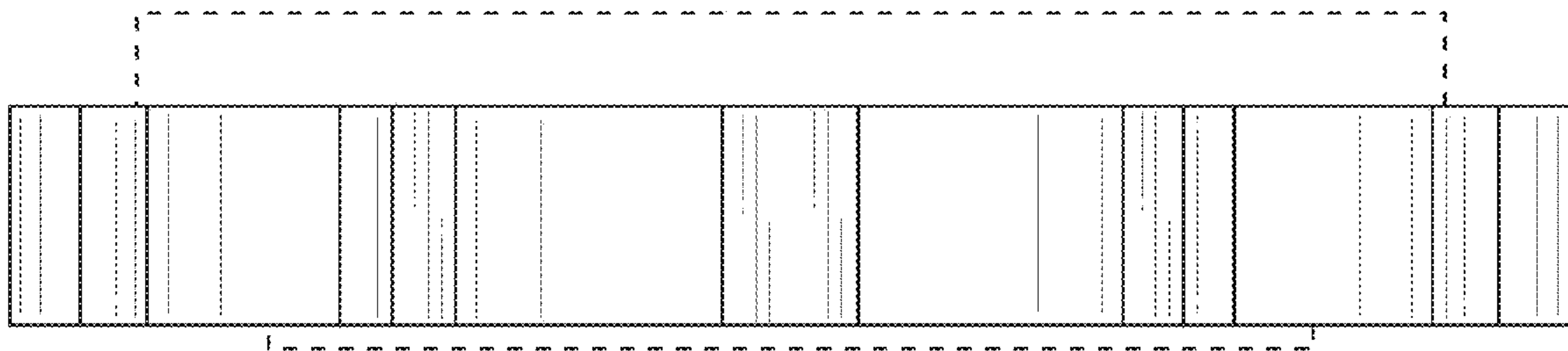


FIG. 4

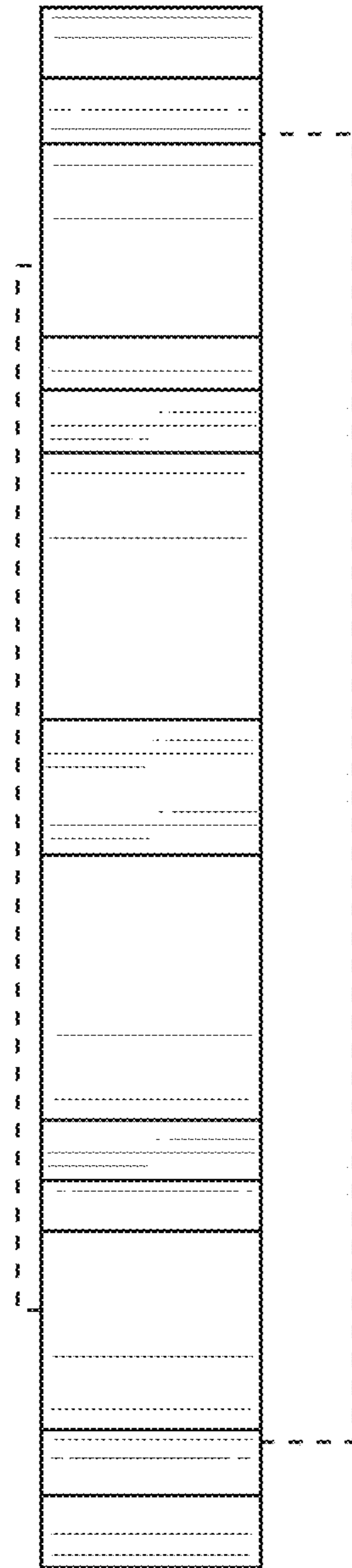


FIG. 5

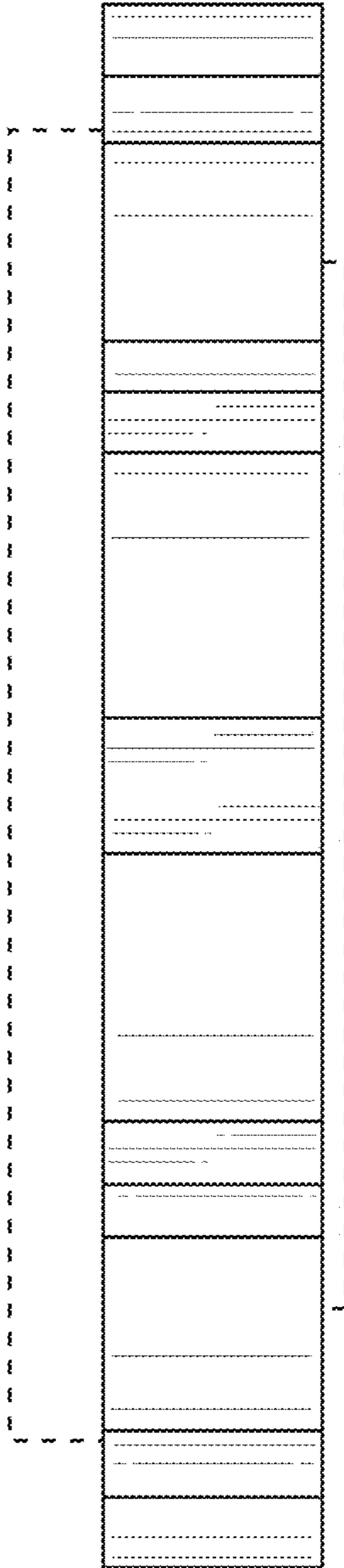


FIG. 6

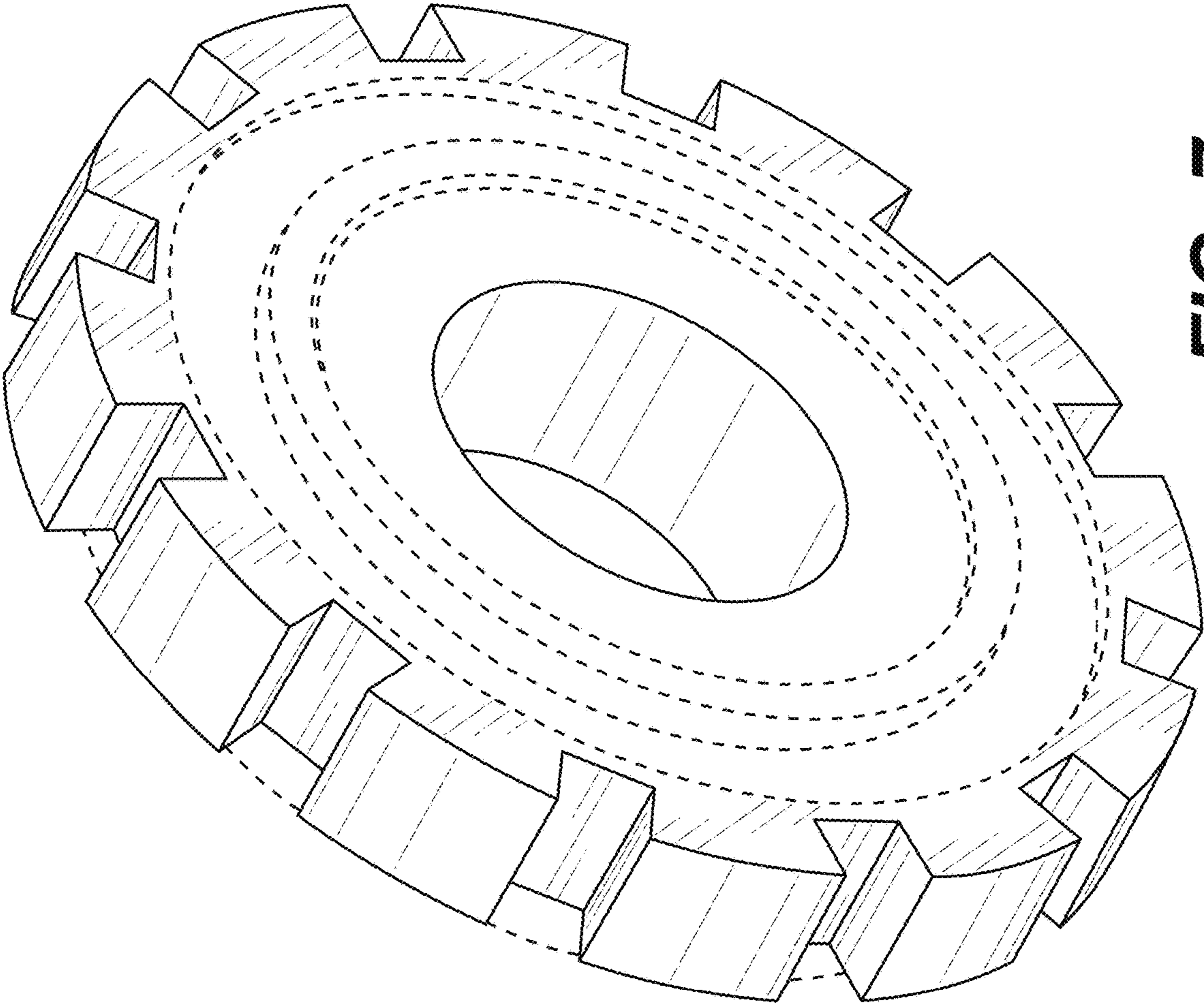


FIG. 7

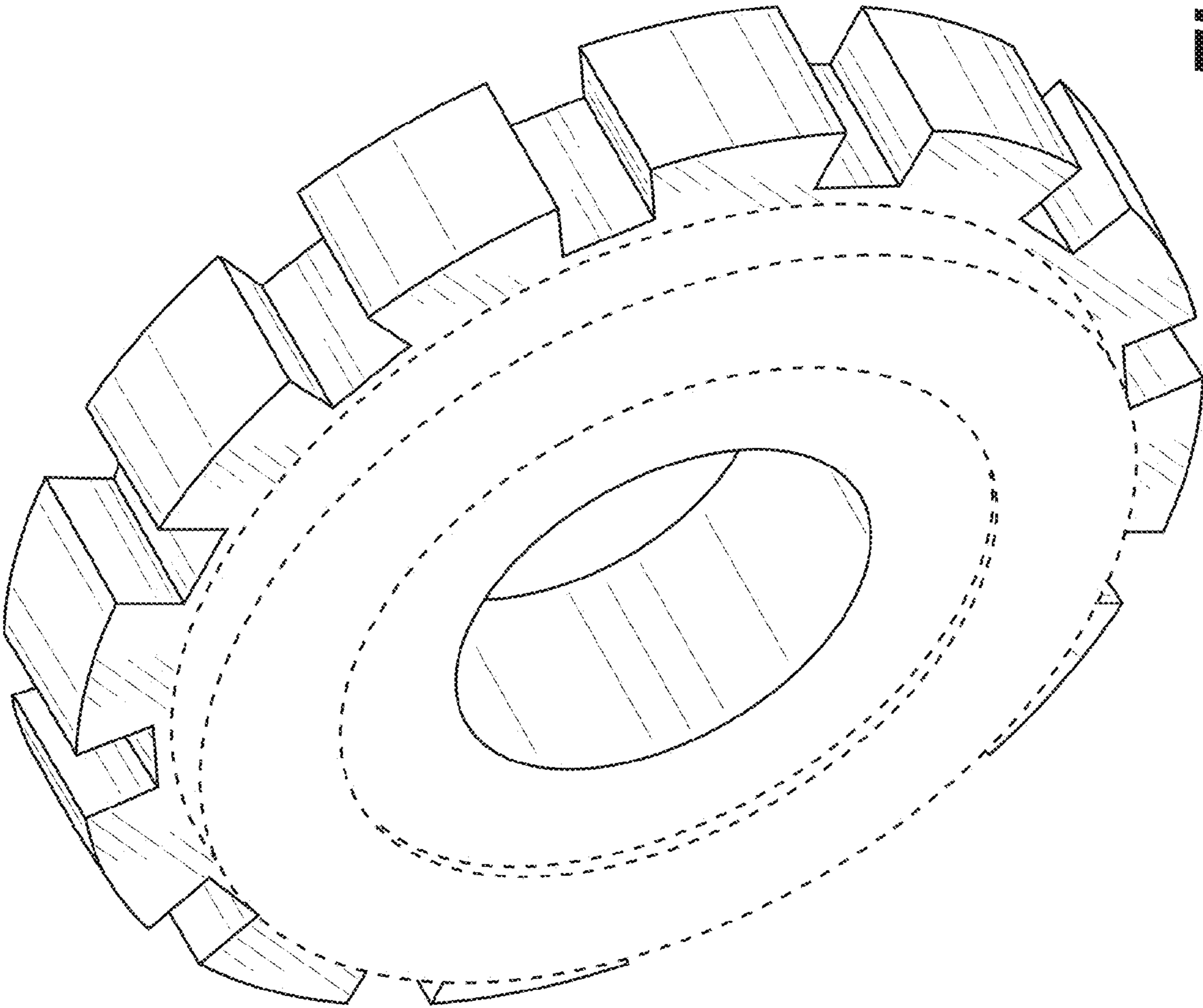


FIG. 8