



US00D889519S

(12) **United States Design Patent**
Frangén

(10) **Patent No.:** **US D889,519 S**

(45) **Date of Patent:** **** Jul. 7, 2020**

- (54) **CROSSBAR MEMBER**
- (71) Applicant: **Olofsfors AB**, Nordmaling (SE)
- (72) Inventor: **Mats Frangén**, Nordmaling (SE)
- (73) Assignee: **Olofsfors AB**, Nordmaling (CH)
- (**) Term: **15 Years**
- (21) Appl. No.: **29/666,916**
- (22) Filed: **Oct. 17, 2018**
- (30) **Foreign Application Priority Data**

Apr. 27, 2018 (EM) 005251311-0001

(51) **LOC (12) Cl.** **15-03**

(52) **U.S. Cl.**
USPC **D15/28**

(58) **Field of Classification Search**
USPC D15/24, 28; D8/380; 152/185.1, 185,
152/225 R, 226, 227, 187; 305/19, 196,
305/198, 185, 195, 181, 193, 201, 114;
16/90, 91

CPC B60C 27/20; B62D 49/0621; B62D 49/04;
B62D 49/20

See application file for complete search history.

(56) **References Cited**

U.S. PATENT DOCUMENTS

- 3,053,579 A * 9/1962 Trudeau B62D 55/28
305/201
- 3,165,364 A * 1/1965 Hardman B62D 55/096
305/112
- 3,497,271 A * 2/1970 Keller B62D 55/04
305/114
- D218,158 S * 7/1970 Comellas D15/28
- 4,089,565 A * 5/1978 Loegering B60C 27/20
305/204
- 4,810,043 A * 3/1989 McIntosh B62D 55/04
305/15

- 5,284,387 A * 2/1994 Loegering B62D 55/04
305/193
- 5,429,429 A * 7/1995 Loegering B62D 55/04
305/193
- 6,203,127 B1 * 3/2001 Chapman B62D 55/04
305/114
- 6,394,562 B1 * 5/2002 Sjostrom B62D 55/04
152/185.1
- 6,447,077 B1 * 9/2002 Durick B62D 55/04
305/114
- 6,478,389 B2 * 11/2002 Doyle B62D 55/04
305/187
- 6,637,840 B2 * 10/2003 Zaleski B62D 55/24
152/187
- 7,258,405 B2 * 8/2007 Pringiers B62D 55/244
305/15
- D634,338 S * 3/2011 Burstrom D15/28

* cited by examiner

Primary Examiner — Mark A Goodwin

(74) *Attorney, Agent, or Firm* — Dilworth & Barrese,
LLP

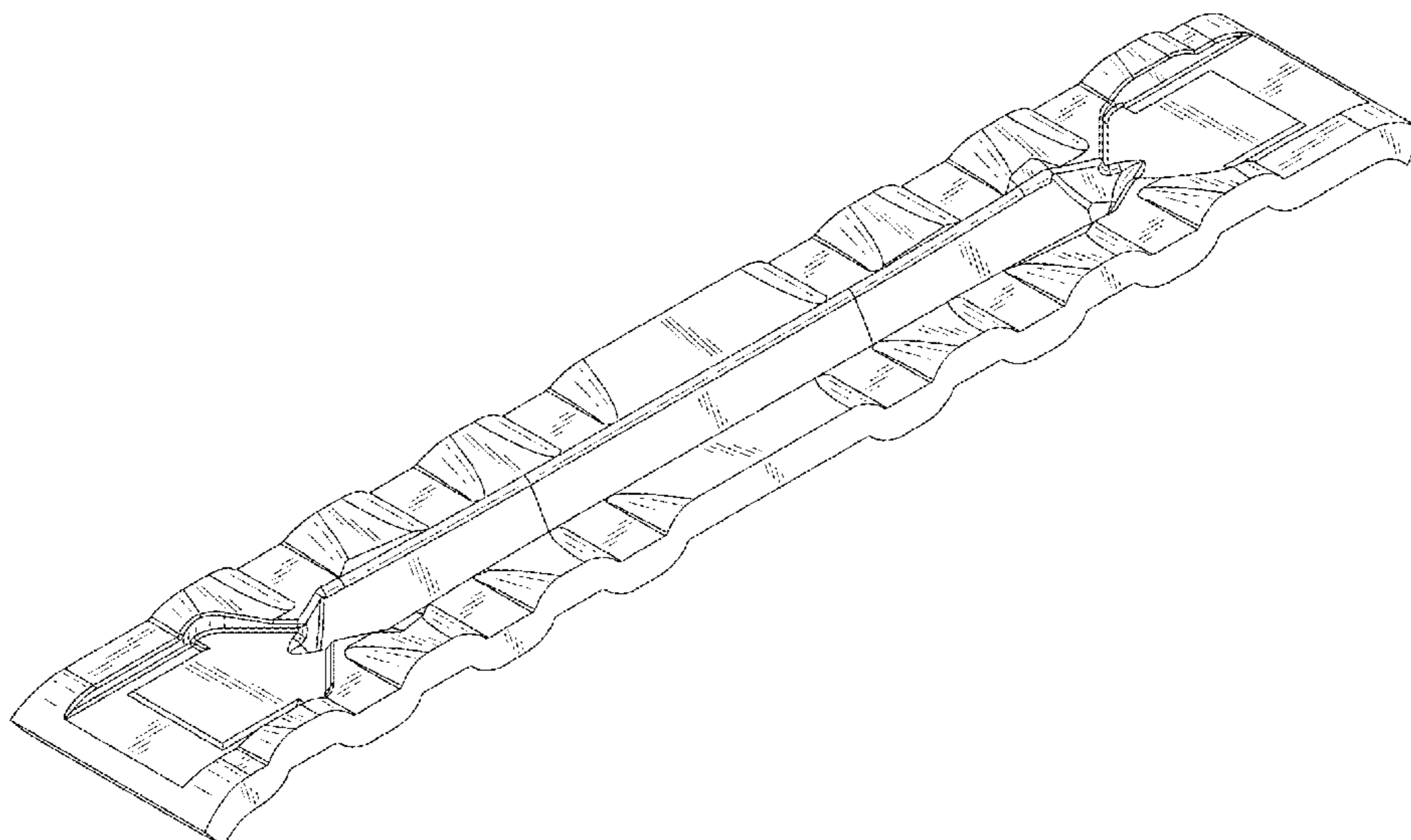
(57) **CLAIM**

The ornamental design for a crossbar member, as shown and described.

DESCRIPTION

FIG. 1 is a right side perspective view from above of the crossbar member showing my new design;
 FIG. 2 is a right side perspective view from below of the crossbar member of FIG. 1;
 FIG. 3 is a front elevational view of the crossbar member of FIGS. 1 and 2, the rear elevational view being substantially identical;
 FIG. 4 is a right side elevational view of the crossbar member of FIGS. 1-3;
 FIG. 5 is a top plan view of the crossbar member of FIGS. 1-4; and,
 FIG. 6 is a bottom plan view of the crossbar member of FIGS. 1-5.

1 Claim, 6 Drawing Sheets



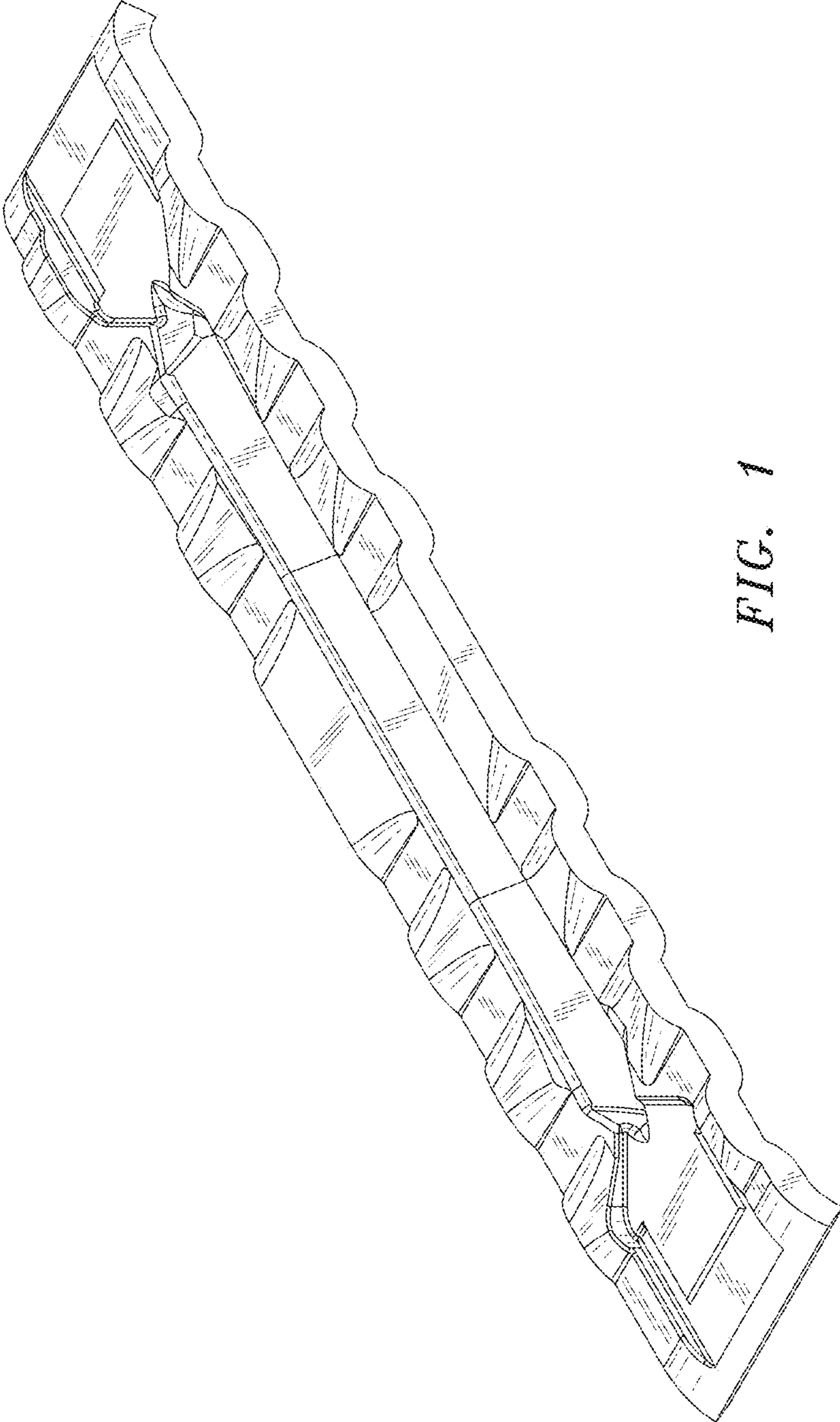


FIG. 1

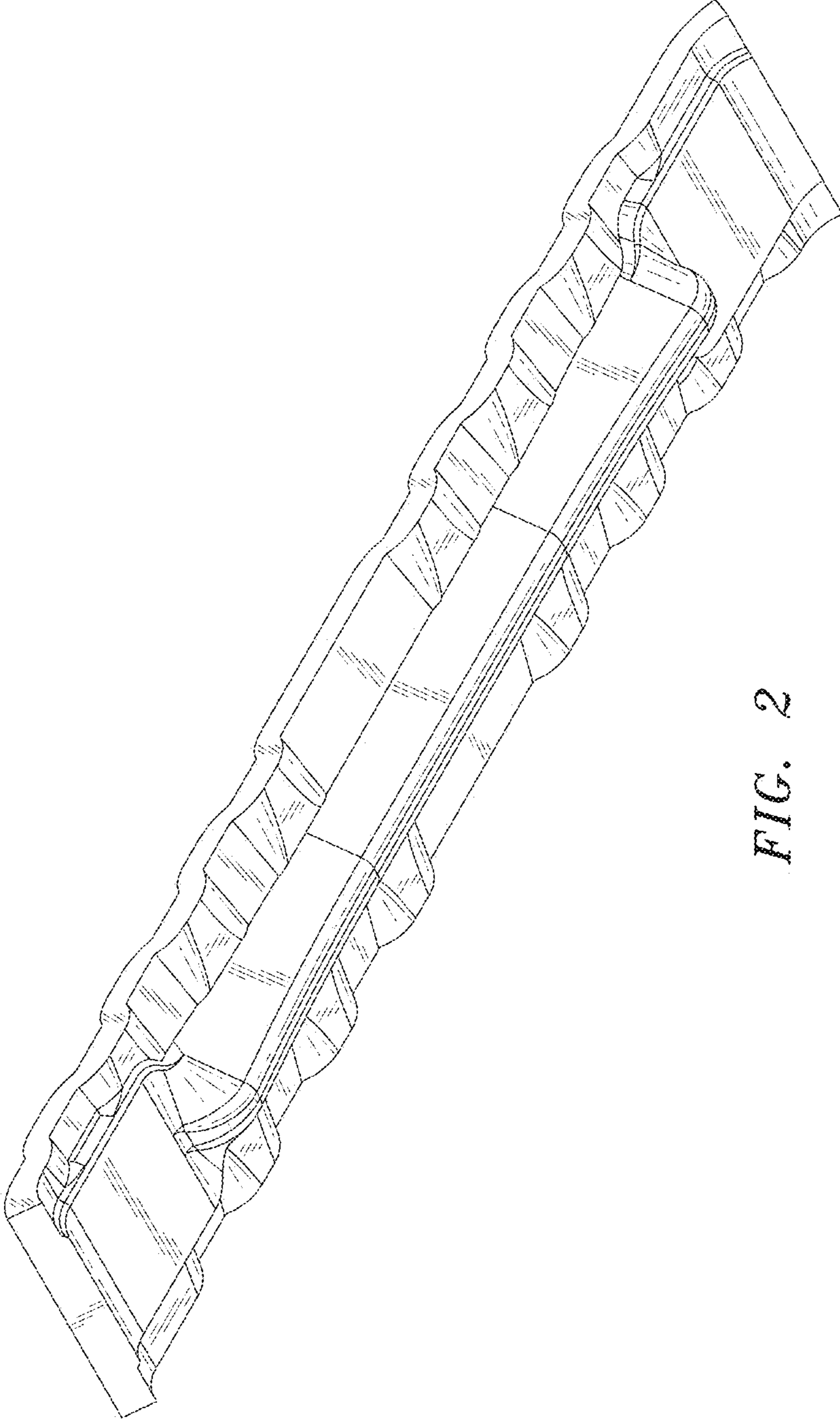


FIG. 2

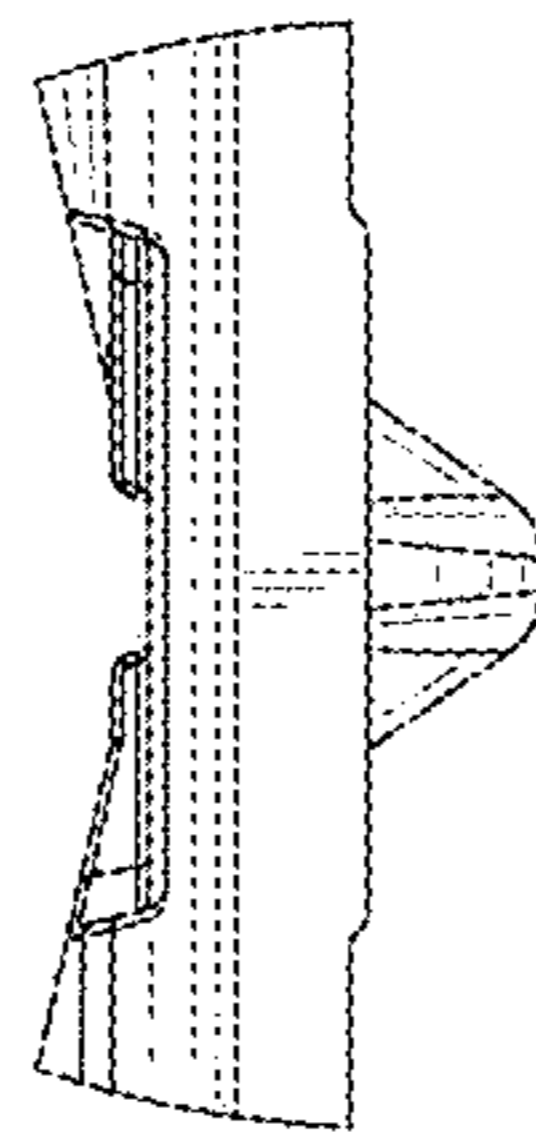


FIG. 3

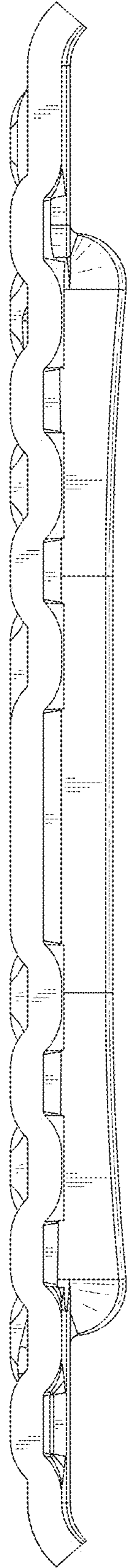


FIG. 4

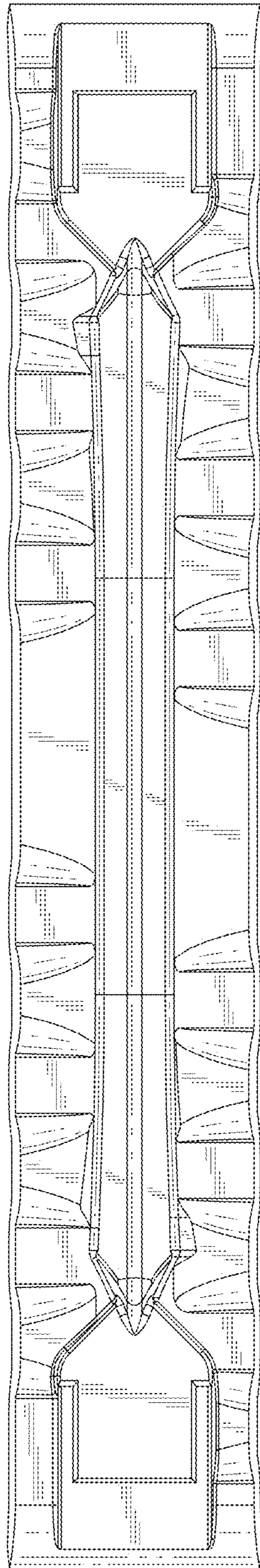


FIG. 5

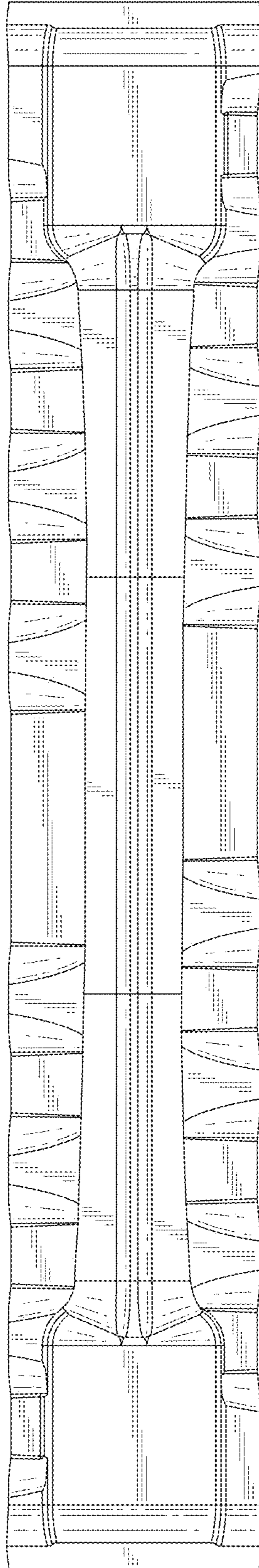


FIG. 6