



US00D889518S

(12) **United States Design Patent** (10) **Patent No.:** **US D889,518 S**
Jones et al. (45) **Date of Patent:** **** Jul. 7, 2020**

(54) **TRACK SHOE COVER**
(71) Applicant: **Caterpillar Inc.**, Deerfield, IL (US)
(72) Inventors: **Benjamin Jones**, Bartonville, IL (US);
Paul Prest, Deerfield, IL (US)
(73) Assignee: **Caterpillar Inc.**, Peoria, IL (US)
(**) Term: **15 Years**

D599,381 S 9/2009 Chiang
7,673,951 B2 3/2010 Chiang
D655,724 S * 3/2012 Shimozono D15/28
D689,101 S 9/2013 Jost et al.
D710,913 S 8/2014 Polk
D751,609 S 3/2016 Meyer et al.
D752,656 S 3/2016 Meyer et al.
9,446,805 B2 9/2016 Ellmann
D823,349 S * 7/2018 Hakes D15/28
D855,662 S * 8/2019 Hakes D15/28
2006/0181151 A1* 8/2006 Wodrich B62D 55/15
305/201

(21) Appl. No.: **29/657,621**

(Continued)

(22) Filed: **Jul. 24, 2018**

FOREIGN PATENT DOCUMENTS

(51) **LOC (12) Cl.** **15-03**
(52) **U.S. Cl.**
USPC **D15/28**

CL 7458 5/2013
CL 7459 5/2013

(Continued)

(58) **Field of Classification Search**
USPC D15/28, 22-26, 10; 305/46, 51, 111,
305/198, 553, 204, 193
CPC B62D 55/20; B62D 55/202; B62D 55/28;
B62D 55/205; B62D 55/26; B62D 55/12
See application file for complete search history.

Primary Examiner — Mark A Goodwin

(74) *Attorney, Agent, or Firm* — Saidman Design Law Group

(56) **References Cited**

(57) **CLAIM**

The ornamental design for a track shoe cover, as shown and described.

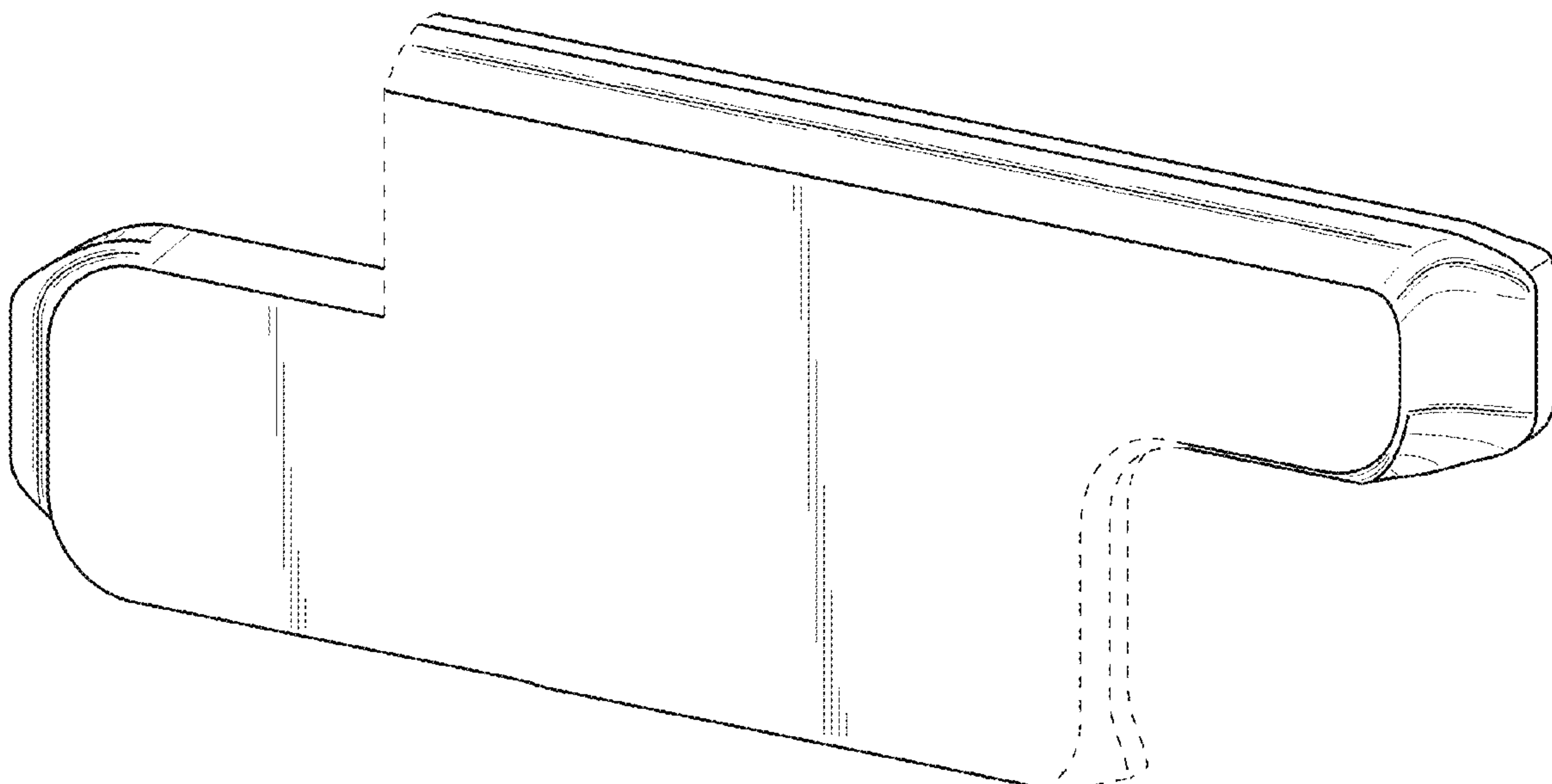
U.S. PATENT DOCUMENTS

DESCRIPTION

3,307,882 A * 3/1967 McFayden B62D 55/28
305/198
4,098,543 A 7/1978 Sturges
4,139,240 A 2/1979 Profio et al.
4,407,551 A 10/1983 Baylor
D333,665 S 3/1993 Bruns
D365,826 S 1/1996 Chandler
D446,222 S 8/2001 Bruns et al.
D496,051 S * 9/2004 Yoshida D15/28
6,929,335 B2 8/2005 Colwell et al.
7,410,225 B1 * 8/2008 Marzetta A63H 17/14
305/159
D588,167 S * 3/2009 Shimozono D15/28
D588,170 S 3/2009 Kumano
D598,937 S 8/2009 Lyasko

FIG. 1 is a perspective view of a track shoe cover showing our new design;
FIG. 2 is another perspective view thereof;
FIG. 3 is a front view thereof;
FIG. 4 is a rear view thereof;
FIG. 5 is a left side view thereof;
FIG. 6 is a right side view thereof;
FIG. 7 is a top view thereof; and,
FIG. 8 is a bottom view thereof.
The broken lines illustrate structure or features which form no part of the claimed design.

1 Claim, 6 Drawing Sheets



(56)

References Cited

U.S. PATENT DOCUMENTS

2011/0221266 A1* 9/2011 Bonnetain B62D 55/20
305/202
2013/0313891 A1* 11/2013 O'Neill B62D 55/13
305/198
2014/0306516 A1 10/2014 Knobloch et al.
2014/0346856 A1* 11/2014 Colwell B62D 55/12
305/185
2015/0130268 A1* 5/2015 Scheuerman B62D 55/26
305/116
2015/0197294 A1* 7/2015 Hakes B62D 55/14
305/142
2017/0275717 A1 9/2017 Saad et al.

FOREIGN PATENT DOCUMENTS

CL 7460 5/2013
CL 7462 5/2013
CL 7490 5/2013
EM 006041513-0001 1/2019
GB 1515450 6/1978

* cited by examiner

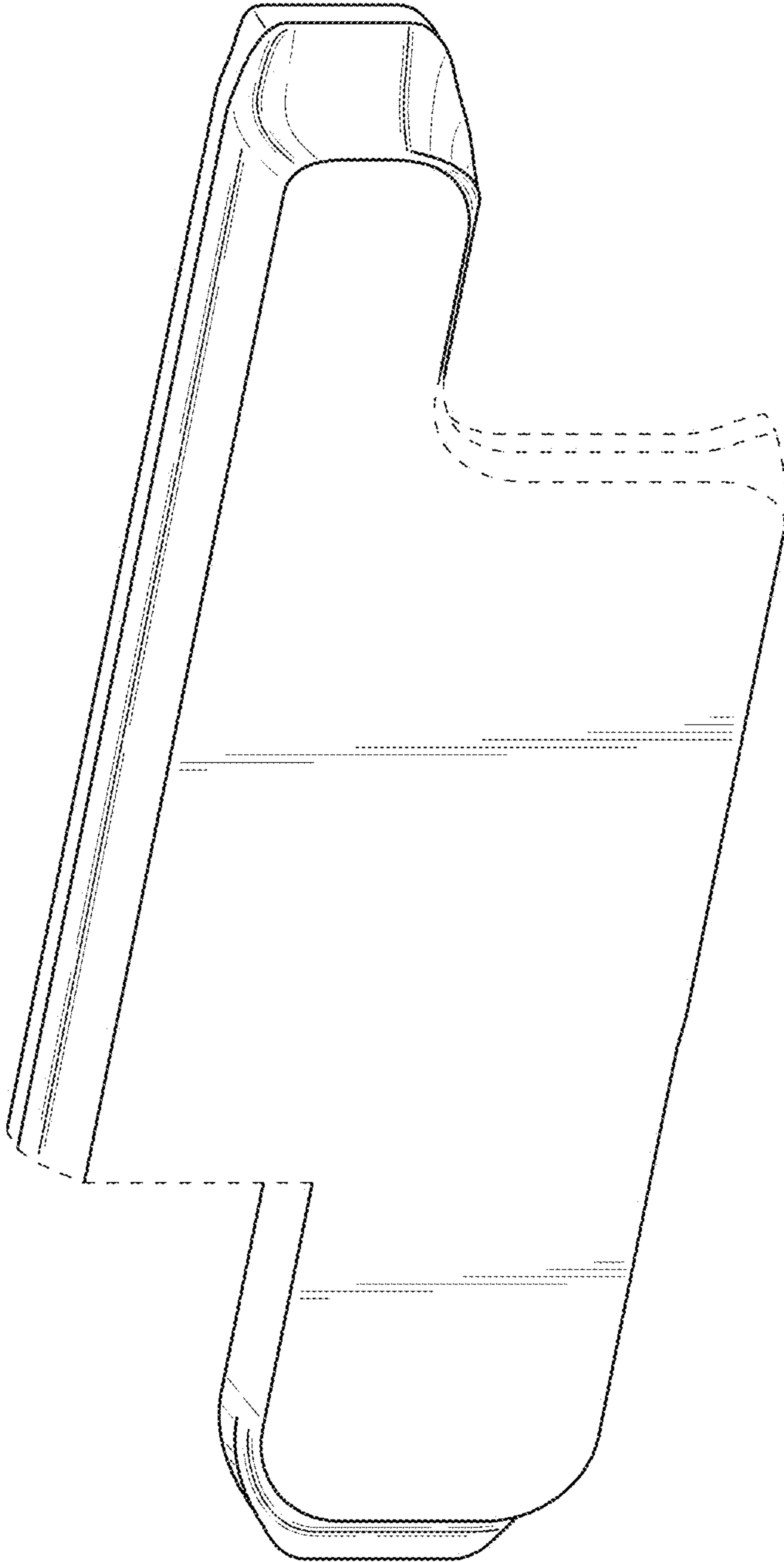


Fig. 1

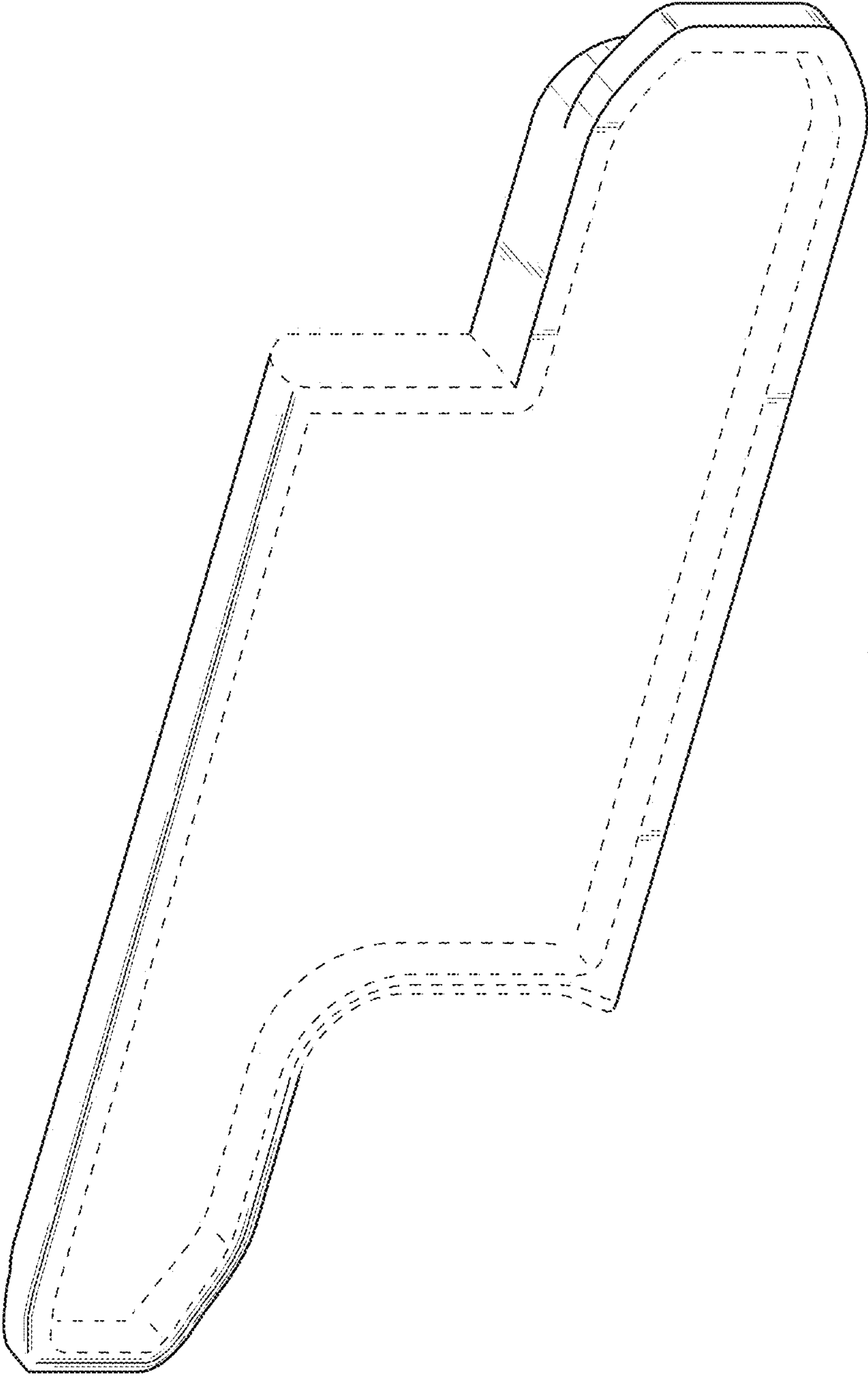


Fig. 2

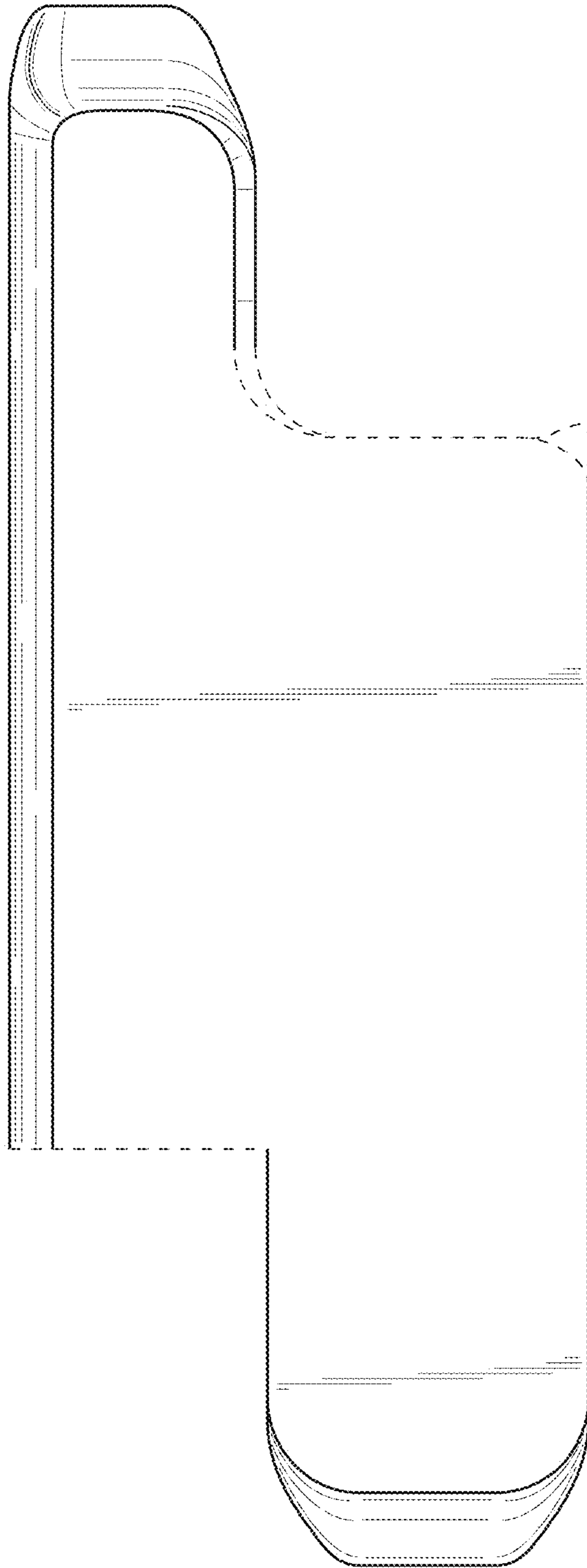


Fig. 3

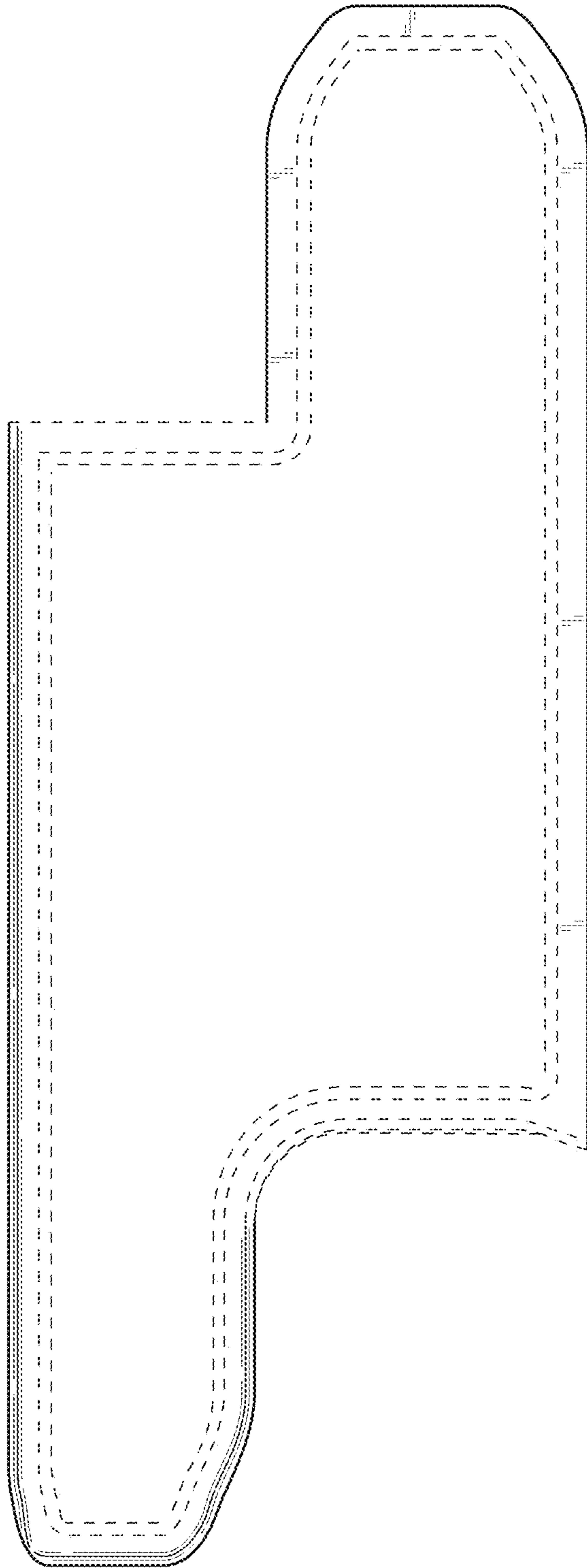


Fig. 4

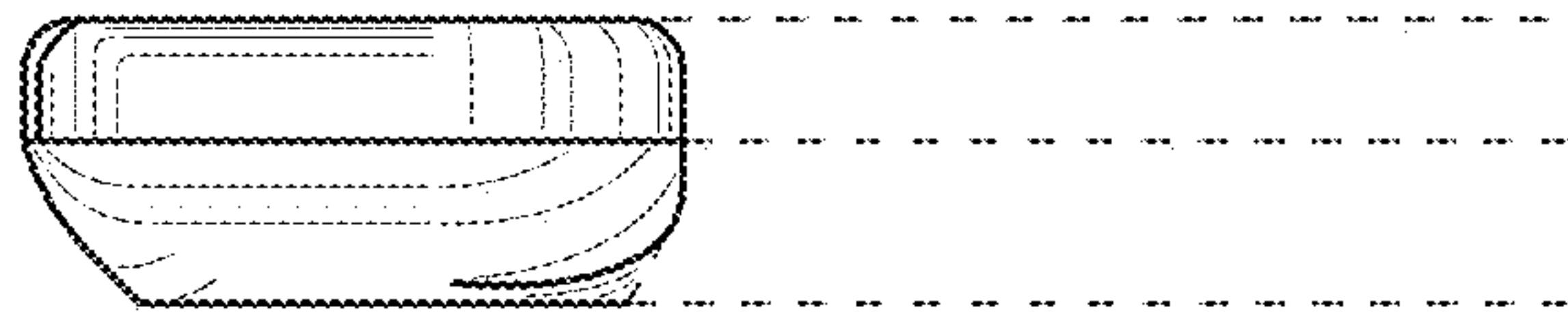


Fig. 6

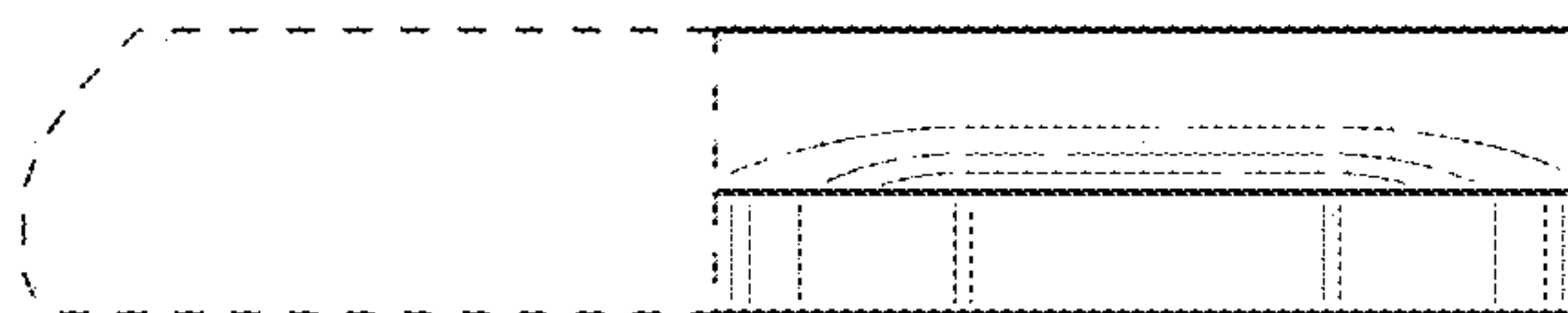


Fig. 5

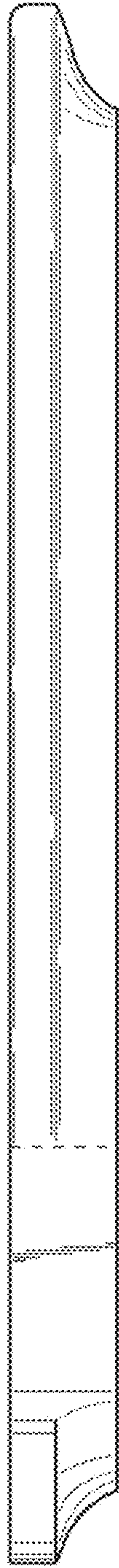


Fig. 7

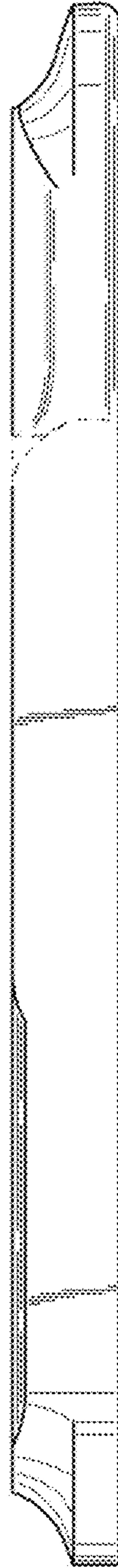


Fig. 8