



US00D889516S

(12) **United States Design Patent**  
**Yoshikawa**

(10) **Patent No.:** **US D889,516 S**

(45) **Date of Patent:** **\*\* Jul. 7, 2020**

(54) **MATERIAL FEEDER**

D368,100 S \* 3/1996 Yoshikawa ..... D15/13  
7,886,938 B2 \* 2/2011 Yoshikawa ..... B65G 65/4836  
222/168  
9,441,882 B2 \* 9/2016 Yoshikawa ..... B65G 65/4836  
9,688,488 B2 \* 6/2017 Yoshikawa ..... G01F 11/24

(71) Applicant: **YOSHIKAWA CORPORATION**,  
Satsumasendai-shi, Kagoshima (JP)

(72) Inventor: **Osamu Yoshikawa**, Satsumasendai (JP)

\* cited by examiner

(73) Assignee: **YOSHIKAWA CORPORATION**,  
Satsumasendai-shi (JP)

*Primary Examiner* — Mark A Goodwin  
(74) *Attorney, Agent, or Firm* — Amster, Rothstein &  
Ebenstein LLP

(\*\*) Term: **15 Years**

(21) Appl. No.: **29/683,630**

(22) Filed: **Mar. 14, 2019**

(57) **CLAIM**

(30) **Foreign Application Priority Data**

The ornamental design for a material feeder, as shown and described.

Oct. 18, 2018 (JP) ..... 2018-022857

(51) **LOC (12) Cl.** ..... **15-03**

(52) **U.S. Cl.**  
USPC ..... **D15/13; D15/28**

(58) **Field of Classification Search**  
USPC ..... D15/13, 28, 10; 222/410  
CPC ..... G01F 11/24; B65G 65/4836; B65G 65/48  
See application file for complete search history.

**DESCRIPTION**

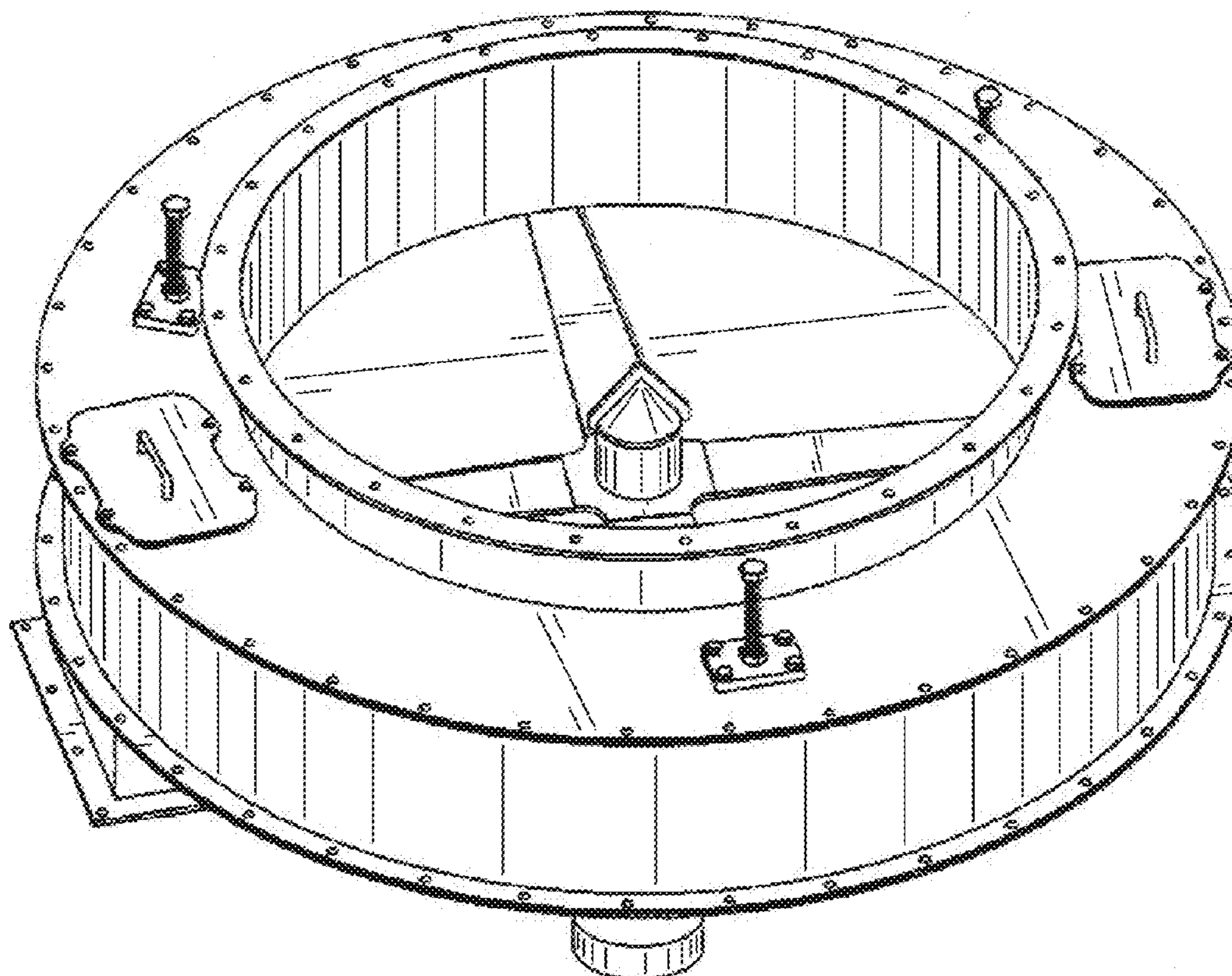
FIG. 1 is a top view of a material feeder, showing my new design;  
FIG. 2 is a front view thereof;  
FIG. 3 is a right side view thereof;  
FIG. 4 is a left side view thereof;  
FIG. 5 is a back view thereof;  
FIG. 6 is a bottom view thereof;  
FIG. 7 is a top-front-left perspective view thereof; and,  
FIG. 8 is a bottom-front-right perspective view thereof.

(56) **References Cited**

**U.S. PATENT DOCUMENTS**

D197,734 S \* 3/1964 Wahl ..... D15/13  
5,375,747 A \* 12/1994 Yoshikawa ..... B65G 65/4836  
222/410

**1 Claim, 8 Drawing Sheets**



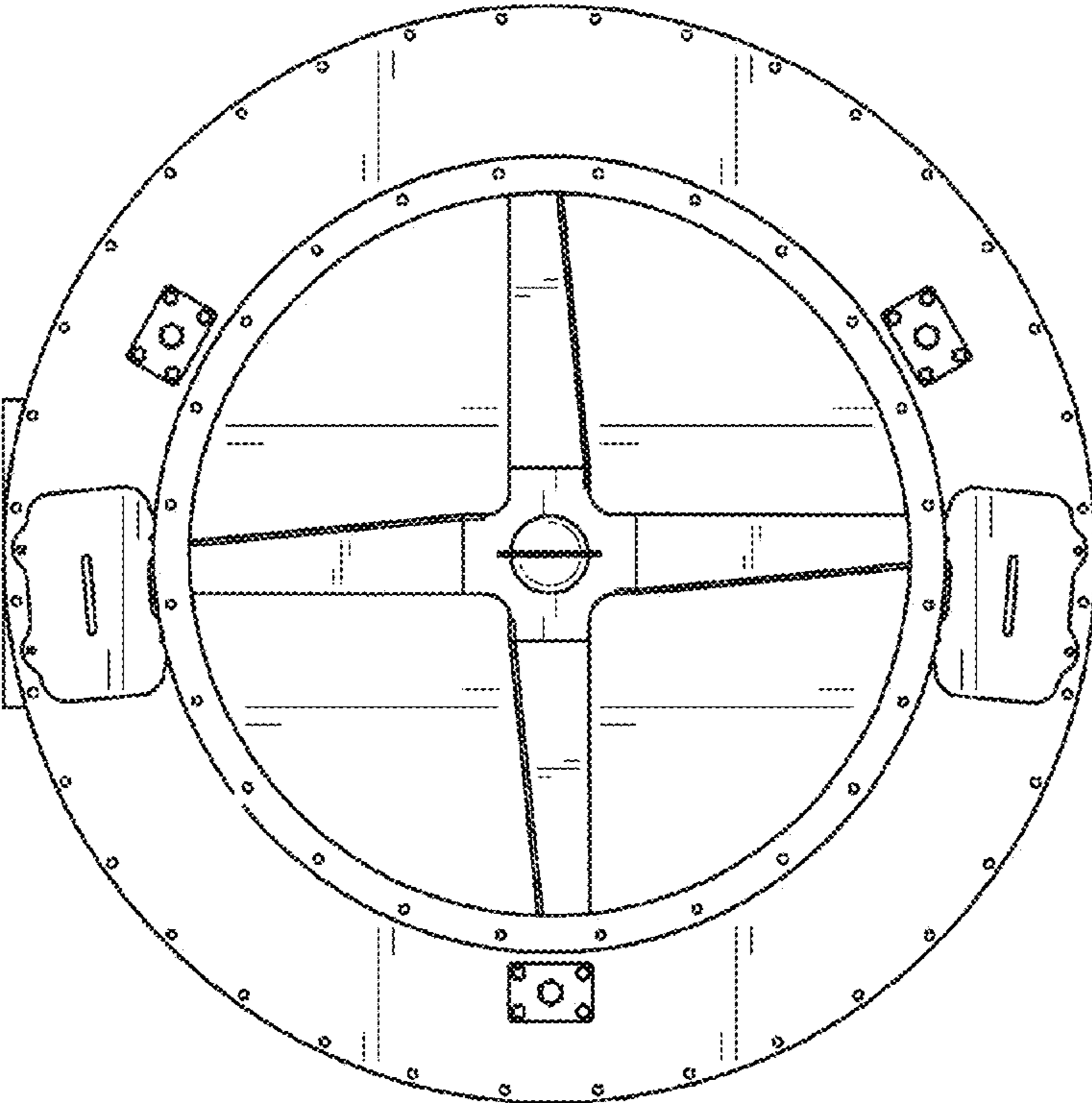


FIG. 1

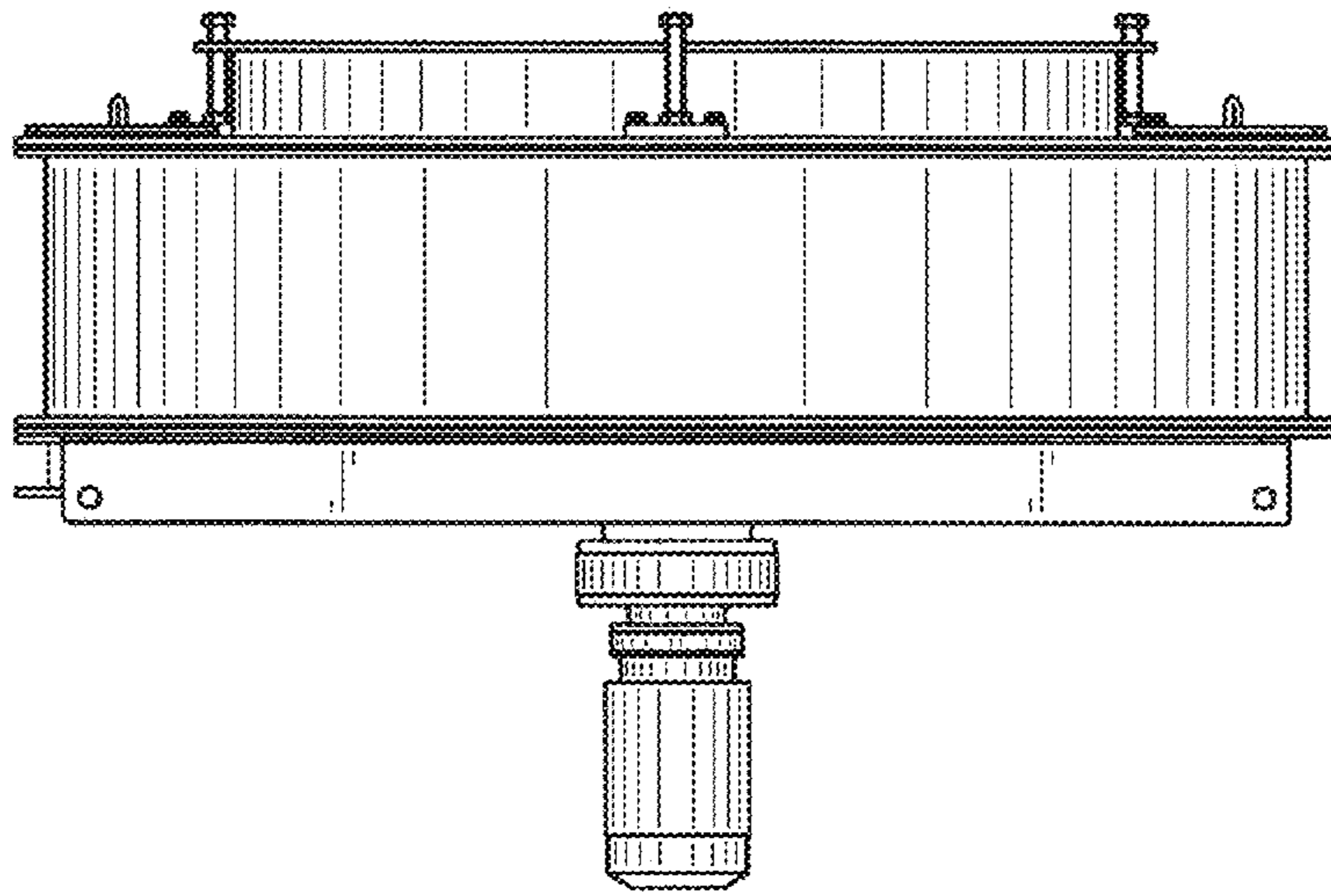


FIG. 2

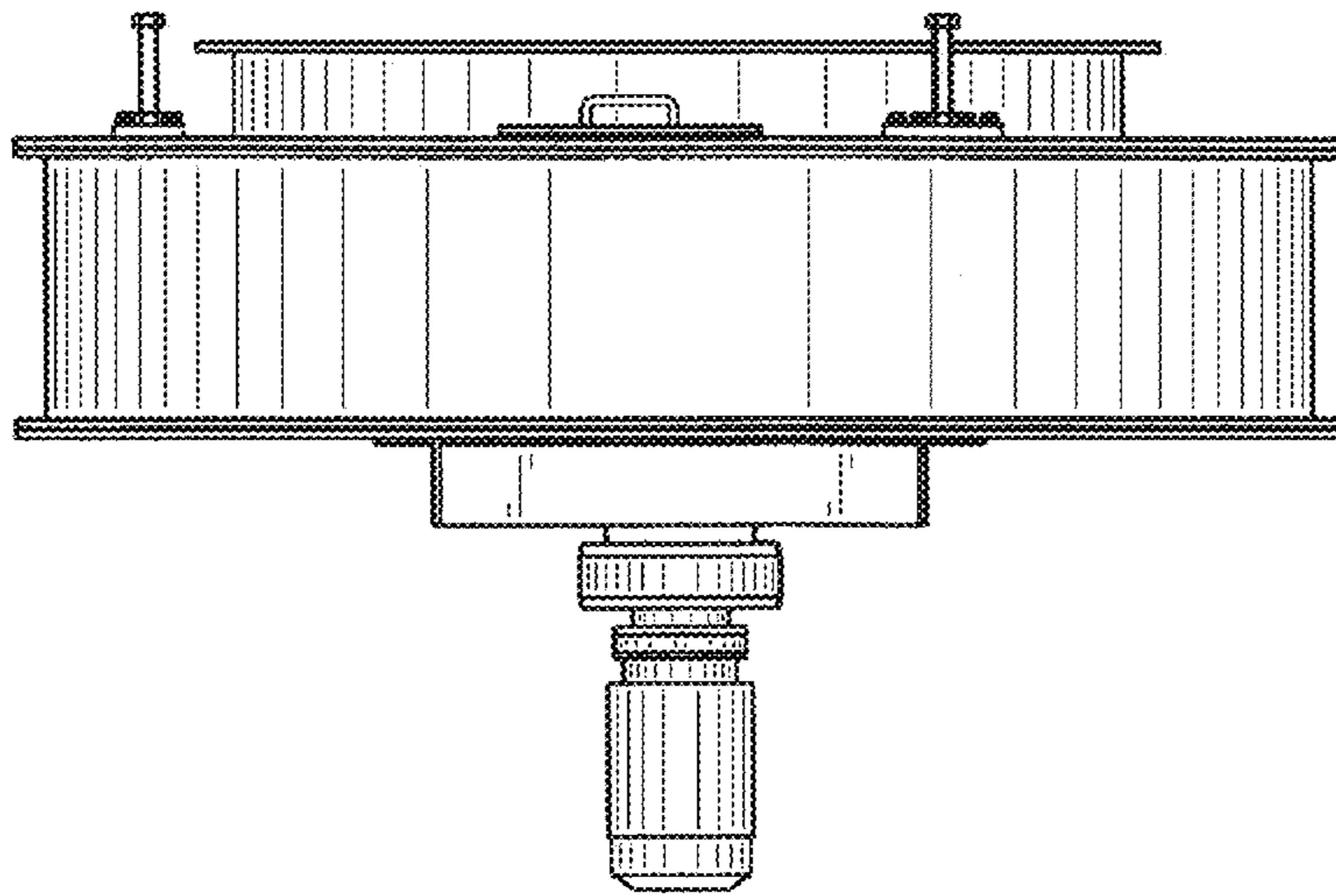


FIG. 3

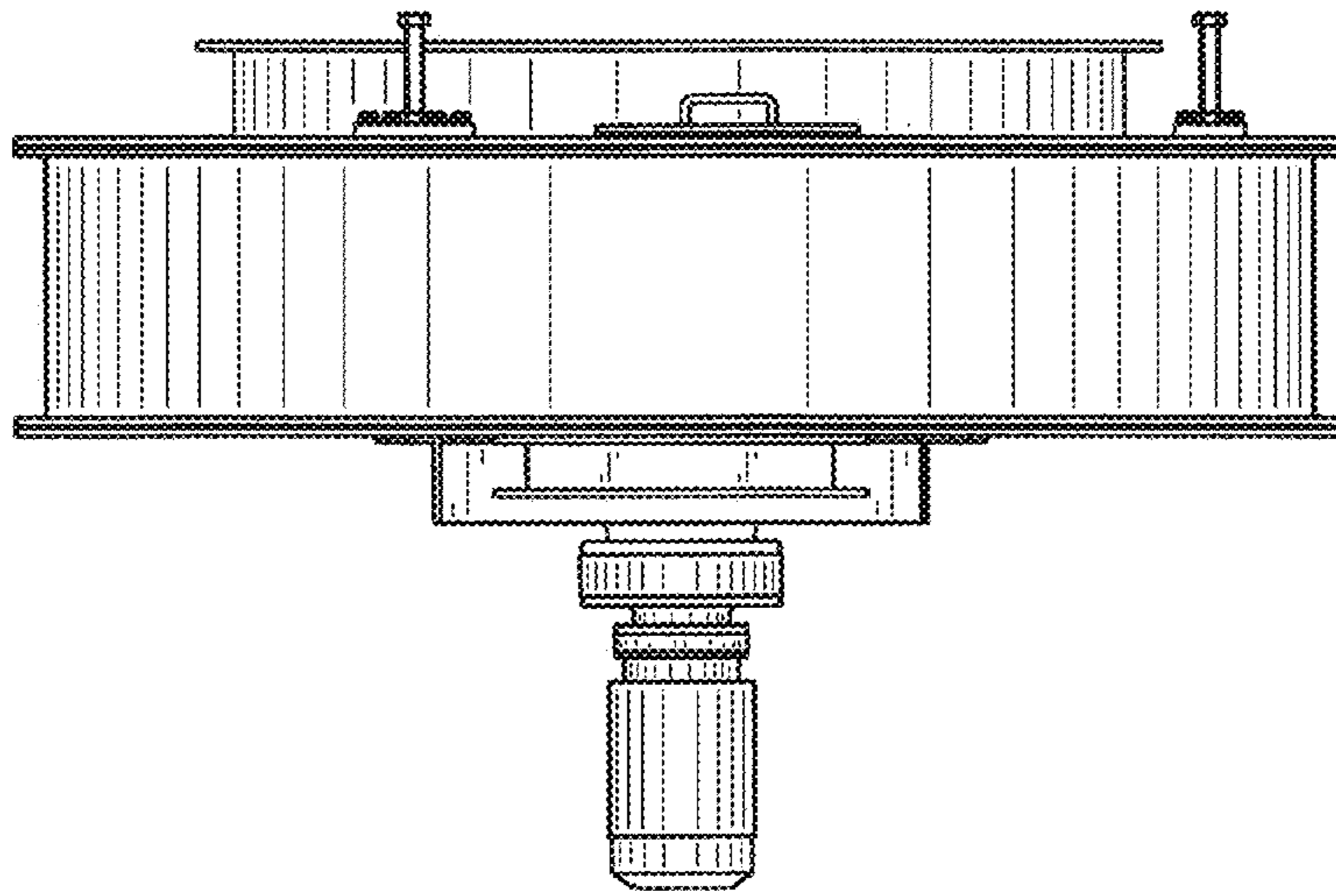


FIG. 4

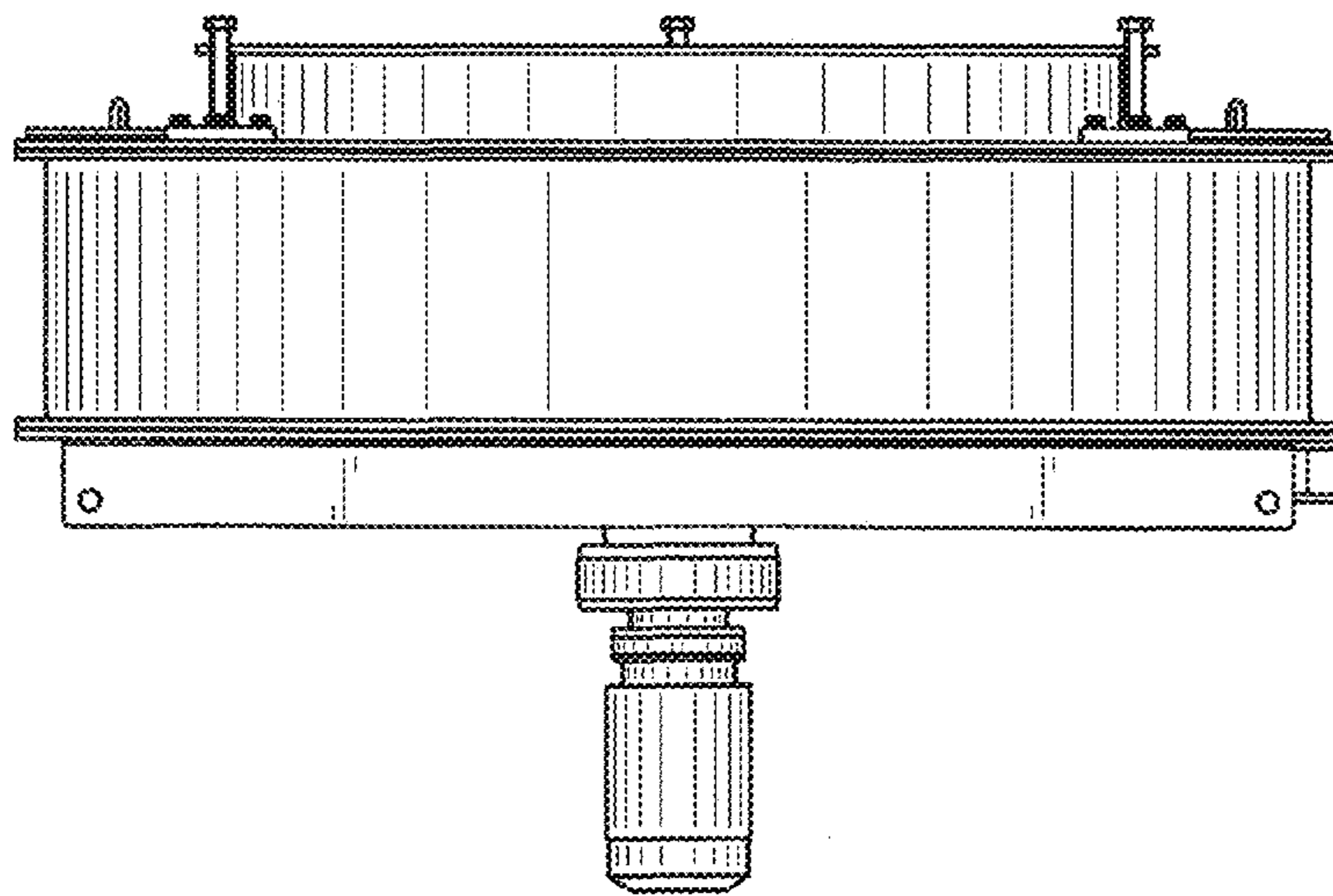


FIG. 5

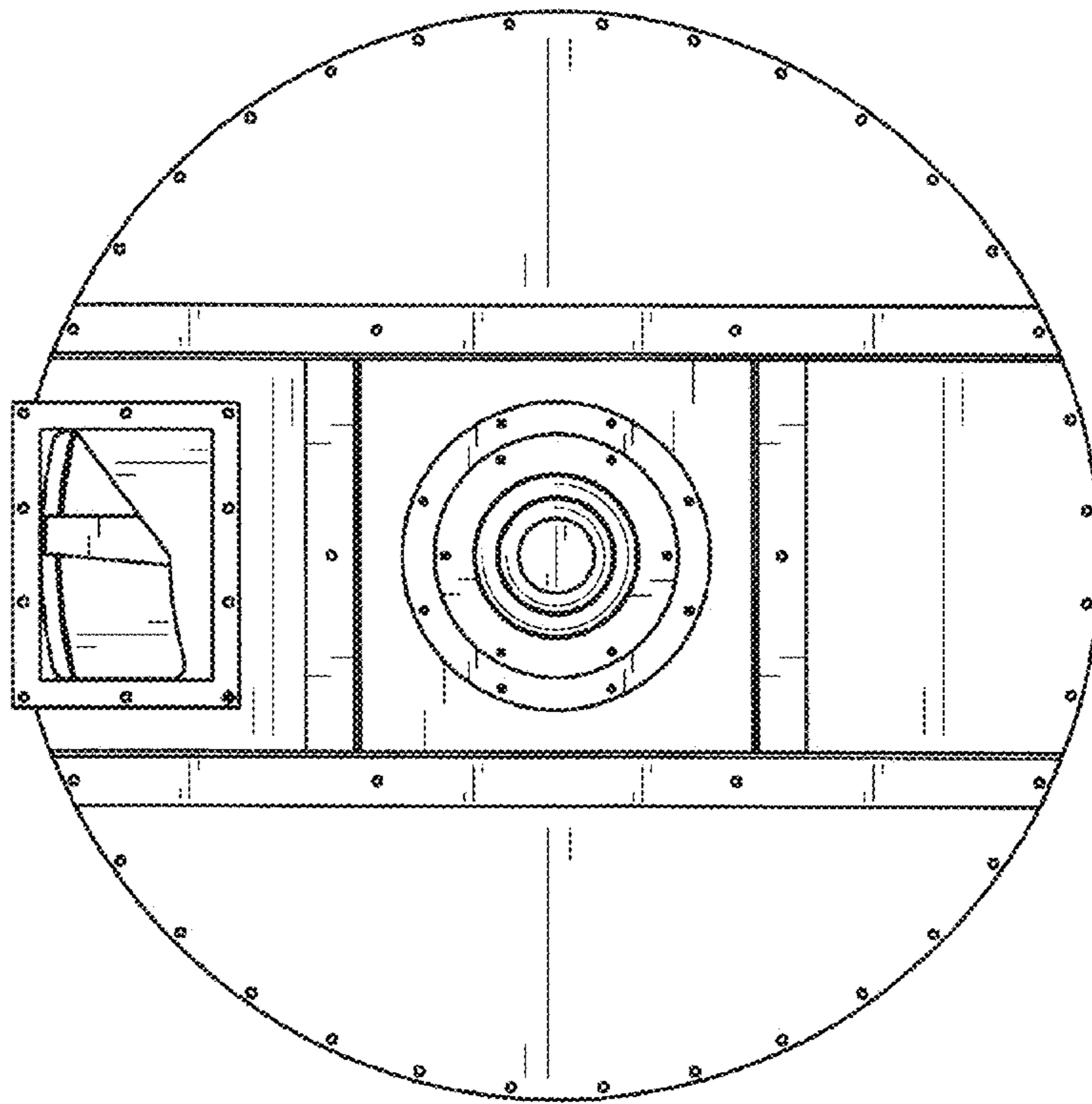


FIG. 6

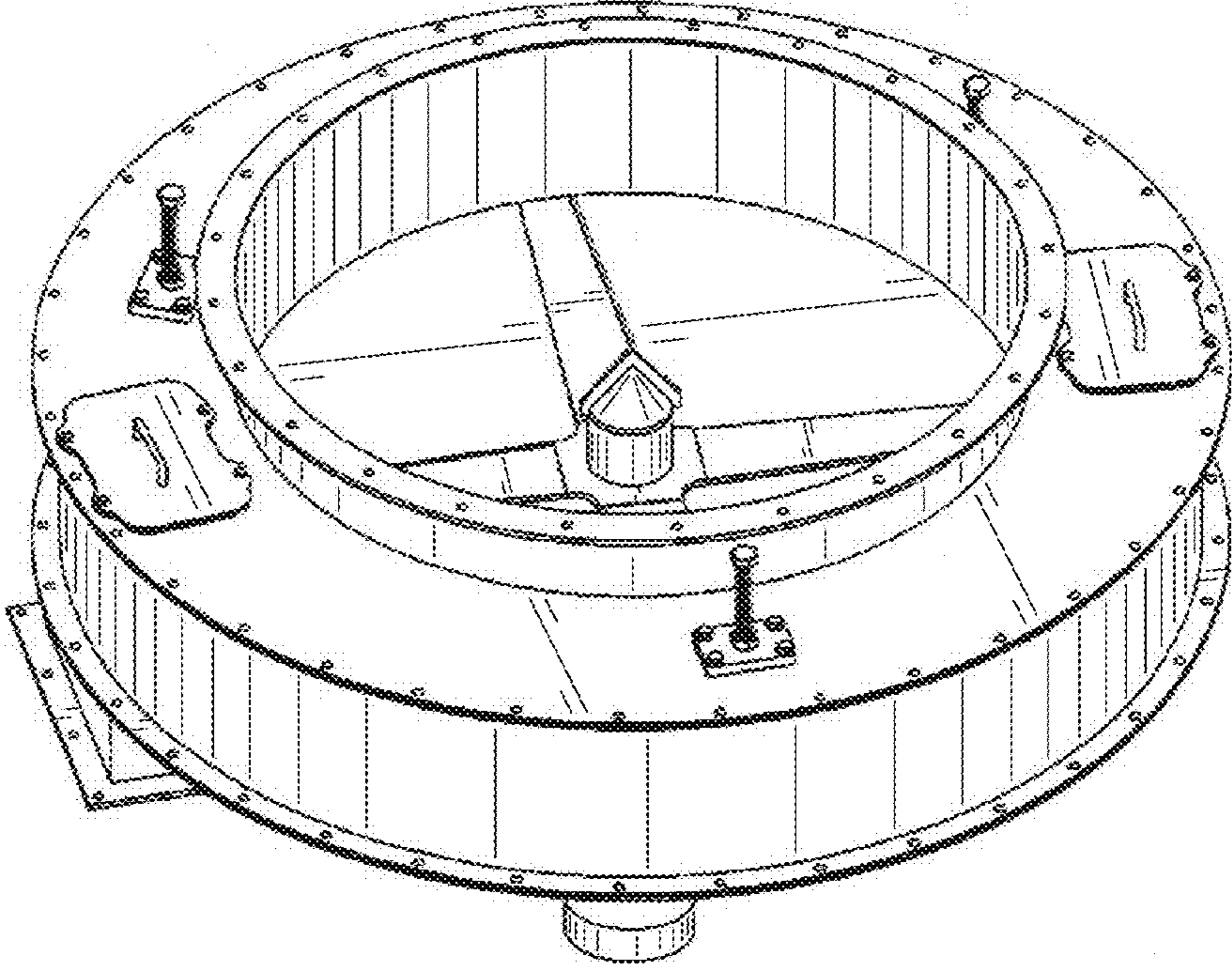


FIG. 7



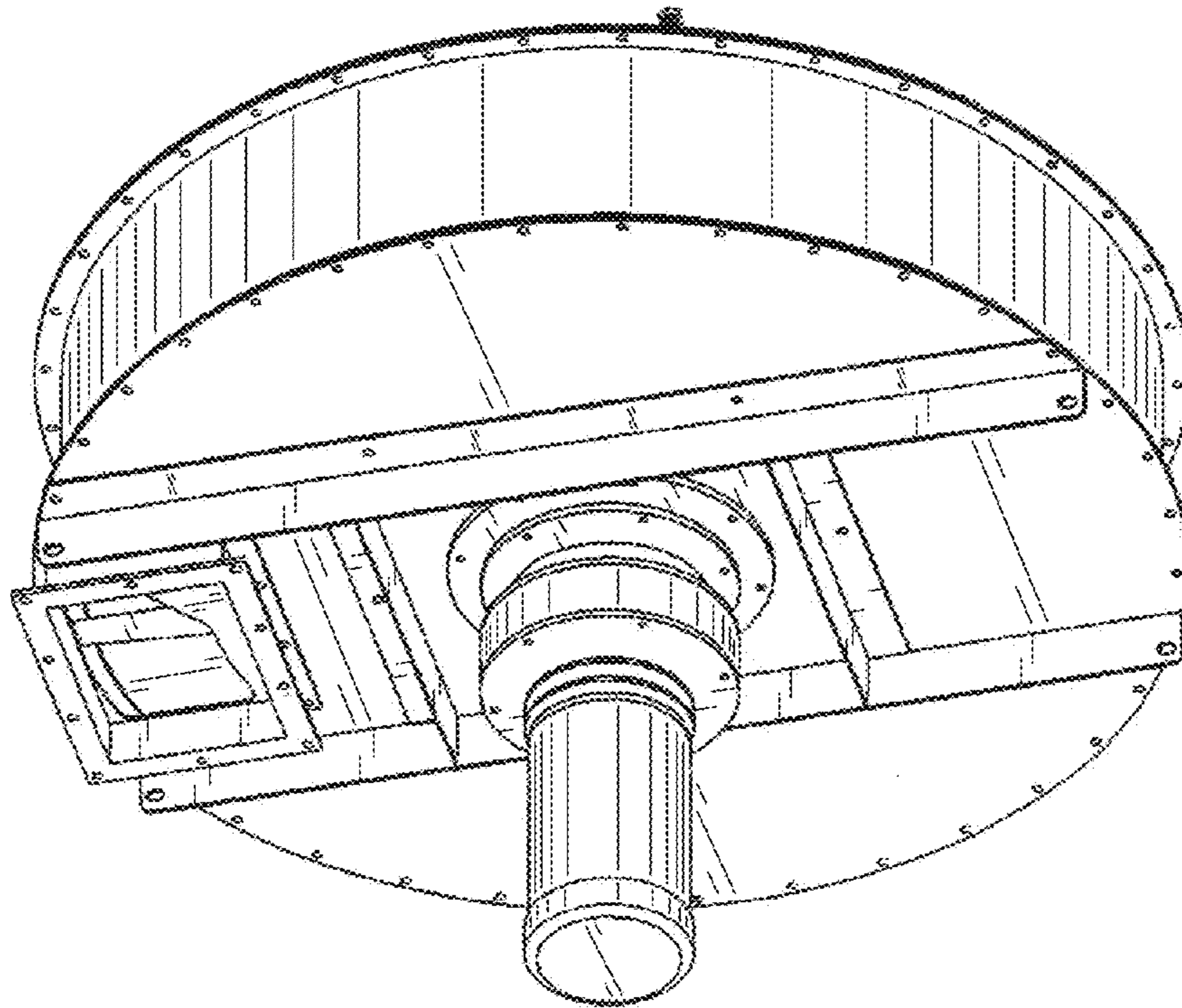


FIG. 8