



US00D889515S

(12) **United States Design Patent**
Winter

(10) **Patent No.:** **US D889,515 S**

(45) **Date of Patent:** **** Jul. 7, 2020**

(54) **PLOW GUARD**

(71) Applicant: **Winter Equipment Company,**
Willoughby, OH (US)

(72) Inventor: **Kent Winter,** Willoughby, OH (US)

(73) Assignee: **Winter Equipment Company,**
Willoughby, OH (US)

(**) Term: **15 Years**

(21) Appl. No.: **29/681,446**

(22) Filed: **Feb. 26, 2019**

(51) **LOC (12) Cl.** **15-03**

(52) **U.S. Cl.**
USPC **D15/11; D15/28**

(58) **Field of Classification Search**
USPC D15/11, 21, 28, 32; 37/270; 280/28
CPC ... E01H 5/06-062; E01H 5/066; E01H 5/065;
E01H 5/12; E01H 5/04; E02F 3/76-848;
E02F 3/08; E02F 3/8157; E02F 3/8152;
B62B 15/00

See application file for complete search history.

(56) **References Cited**

U.S. PATENT DOCUMENTS

1,581,414 A * 4/1926 Young E02F 3/8157
280/28
2,593,025 A * 4/1952 Hanson B62B 15/00
280/28
D567,826 S * 4/2008 Clendenning D15/29
D839,315 S * 1/2019 Winter D15/11

D839,925 S * 2/2019 Winter D15/11
D839,926 S * 2/2019 Winter D15/11
D839,927 S * 2/2019 Winter D15/11
D839,928 S * 2/2019 Winter D15/11
D879,156 S * 3/2020 Winter D15/11
2008/0263907 A1* 10/2008 Winter E01H 5/066
37/270
2015/0047234 A1* 2/2015 Winter E01H 5/061
37/460
2015/0135559 A1* 5/2015 Tordik E01H 5/066
37/197
2016/0069041 A1* 3/2016 Winter E02F 3/8157
37/453
2017/0191236 A1* 7/2017 Winter E01H 5/061
2018/0058026 A1* 3/2018 Williams E01H 5/066

* cited by examiner

Primary Examiner — Mark A Goodwin

(74) *Attorney, Agent, or Firm* — Fay Sharpe LLP

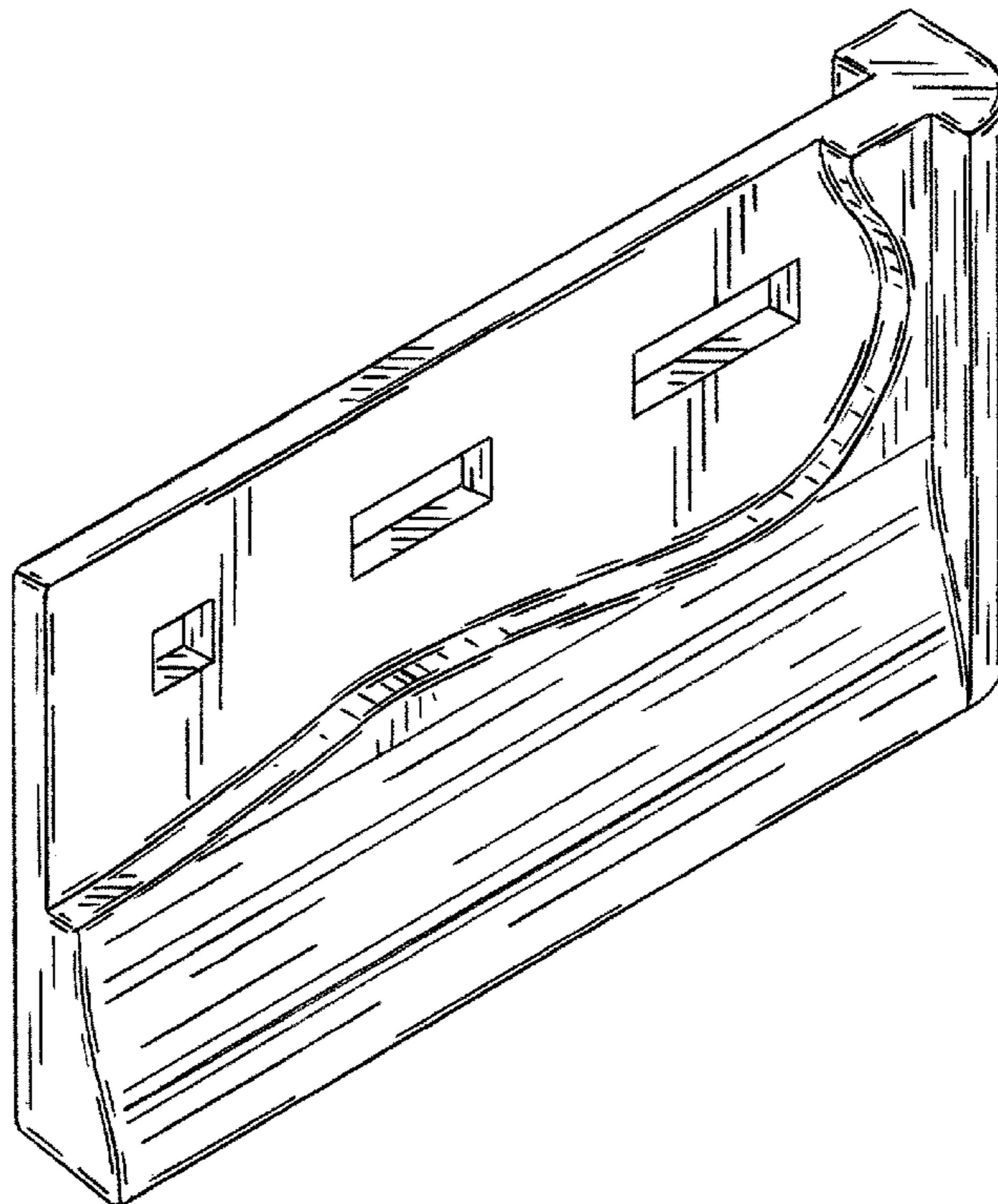
(57) **CLAIM**

The ornamental design for a plow guard, as shown and described.

DESCRIPTION

FIG. 1 is a front perspective view of a plow guard;
FIG. 2 is a rear perspective view thereof;
FIG. 3 is a front elevation view thereof;
FIG. 4 is a left elevation view thereof;
FIG. 5 is a right elevation view thereof;
FIG. 6 is a top plan view thereof;
FIG. 7 is a bottom plan view thereof; and,
FIG. 8 is a rear elevation view thereof.

1 Claim, 3 Drawing Sheets



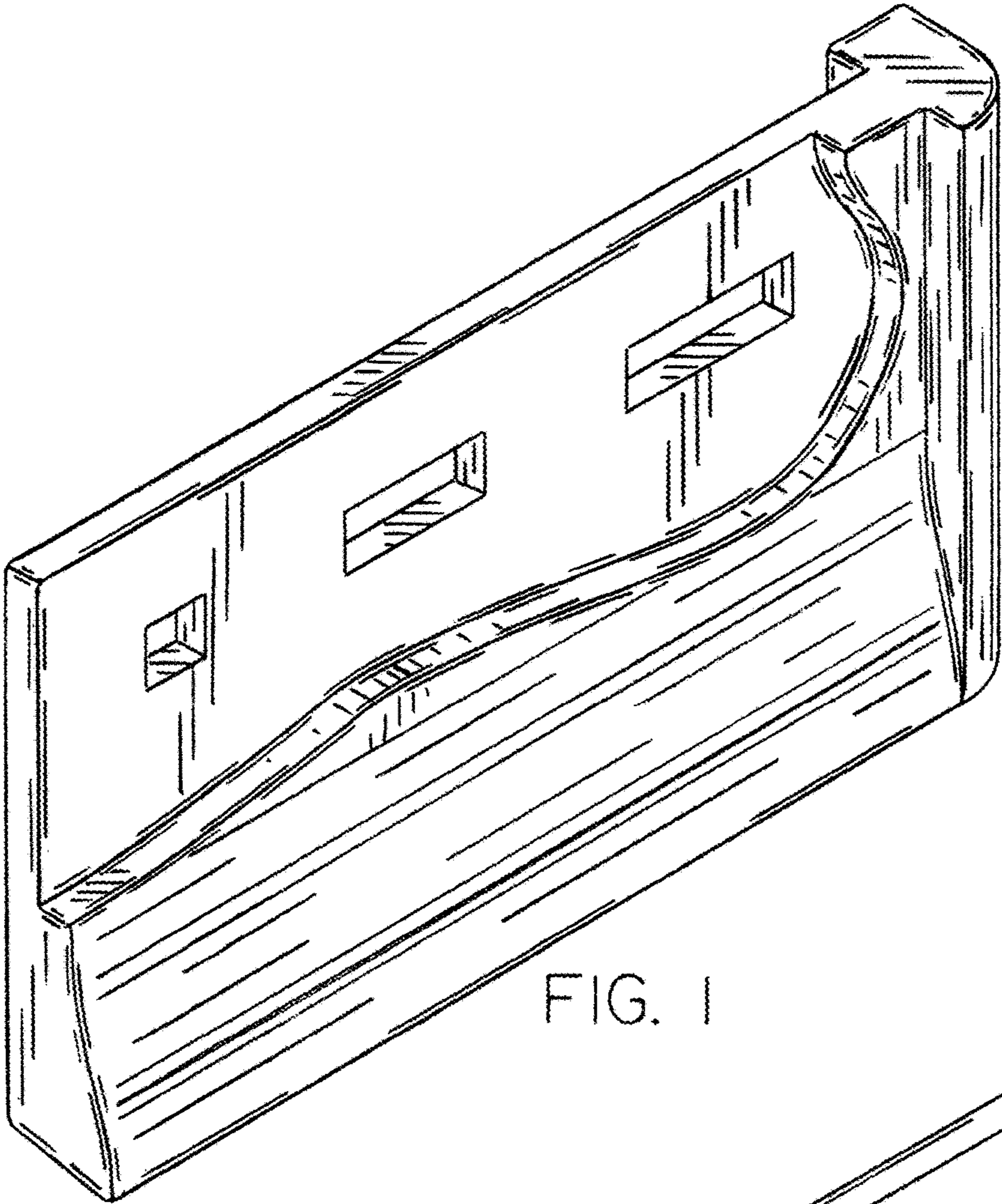


FIG. 1

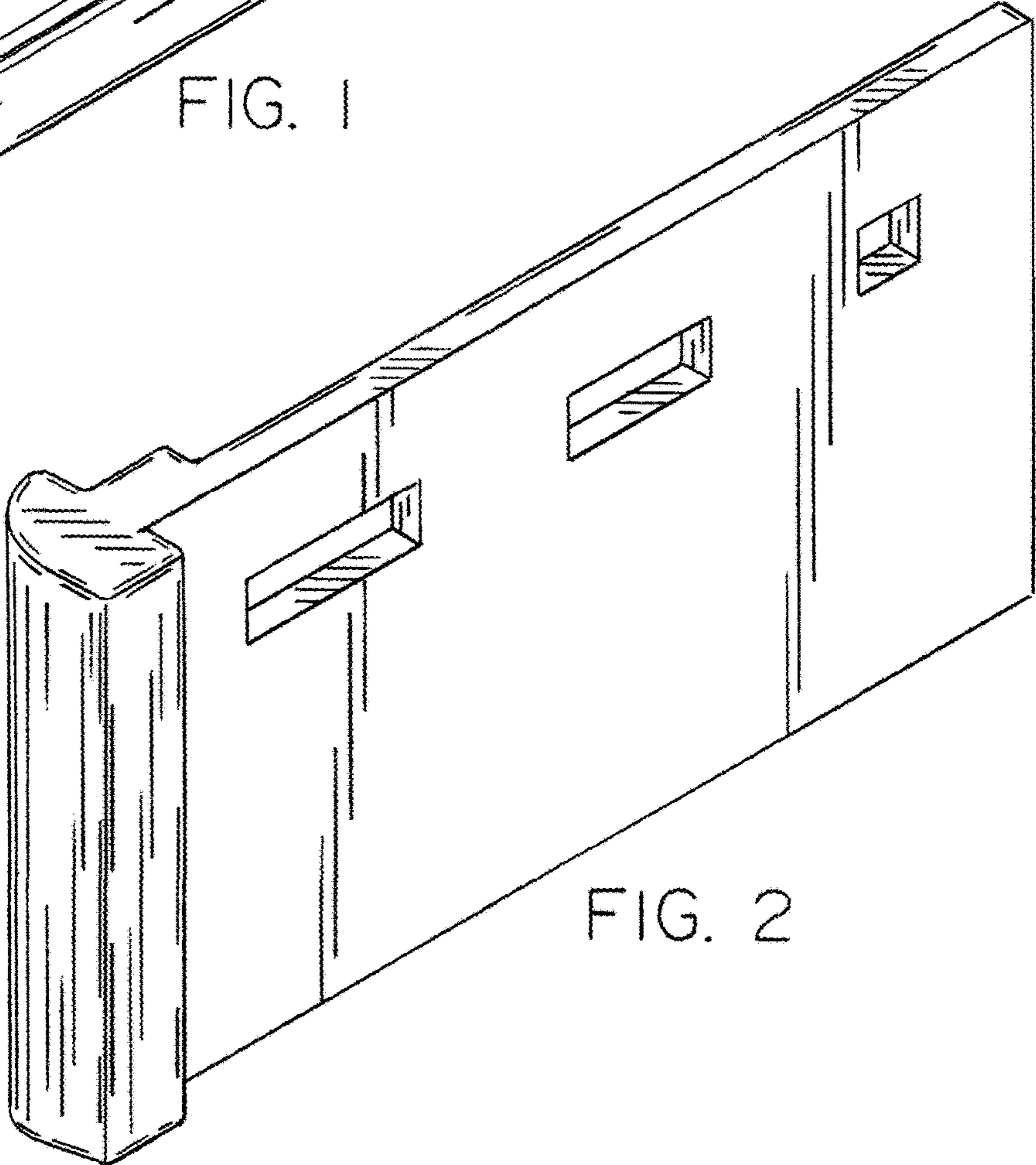


FIG. 2

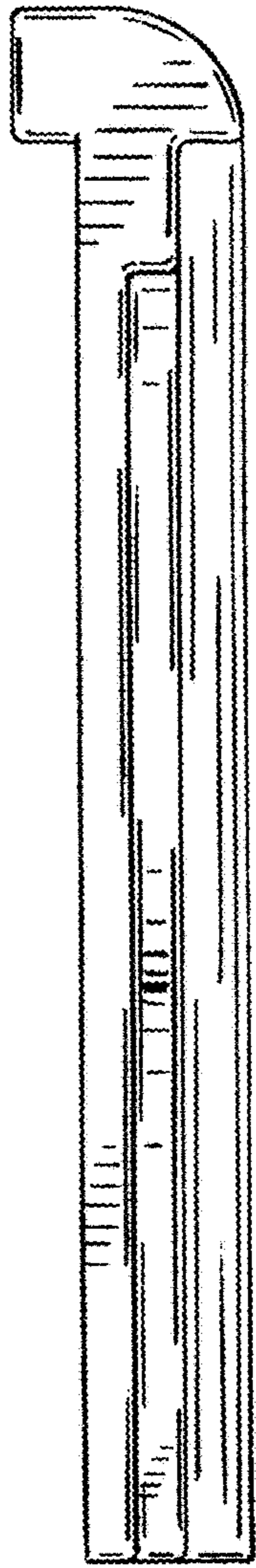


FIG. 6

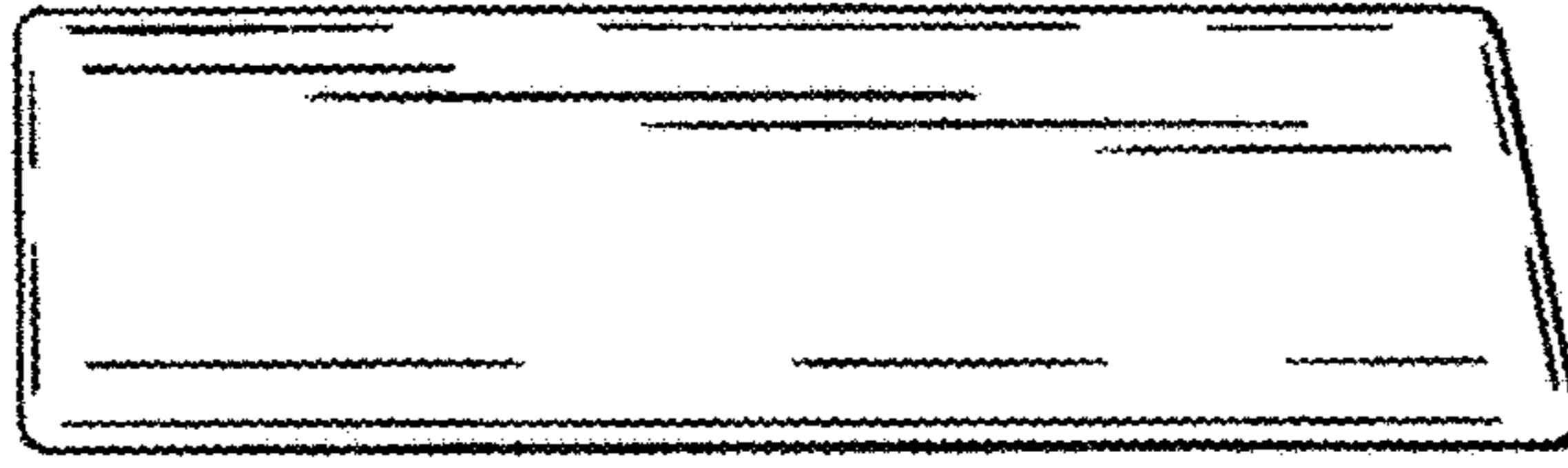


FIG. 5

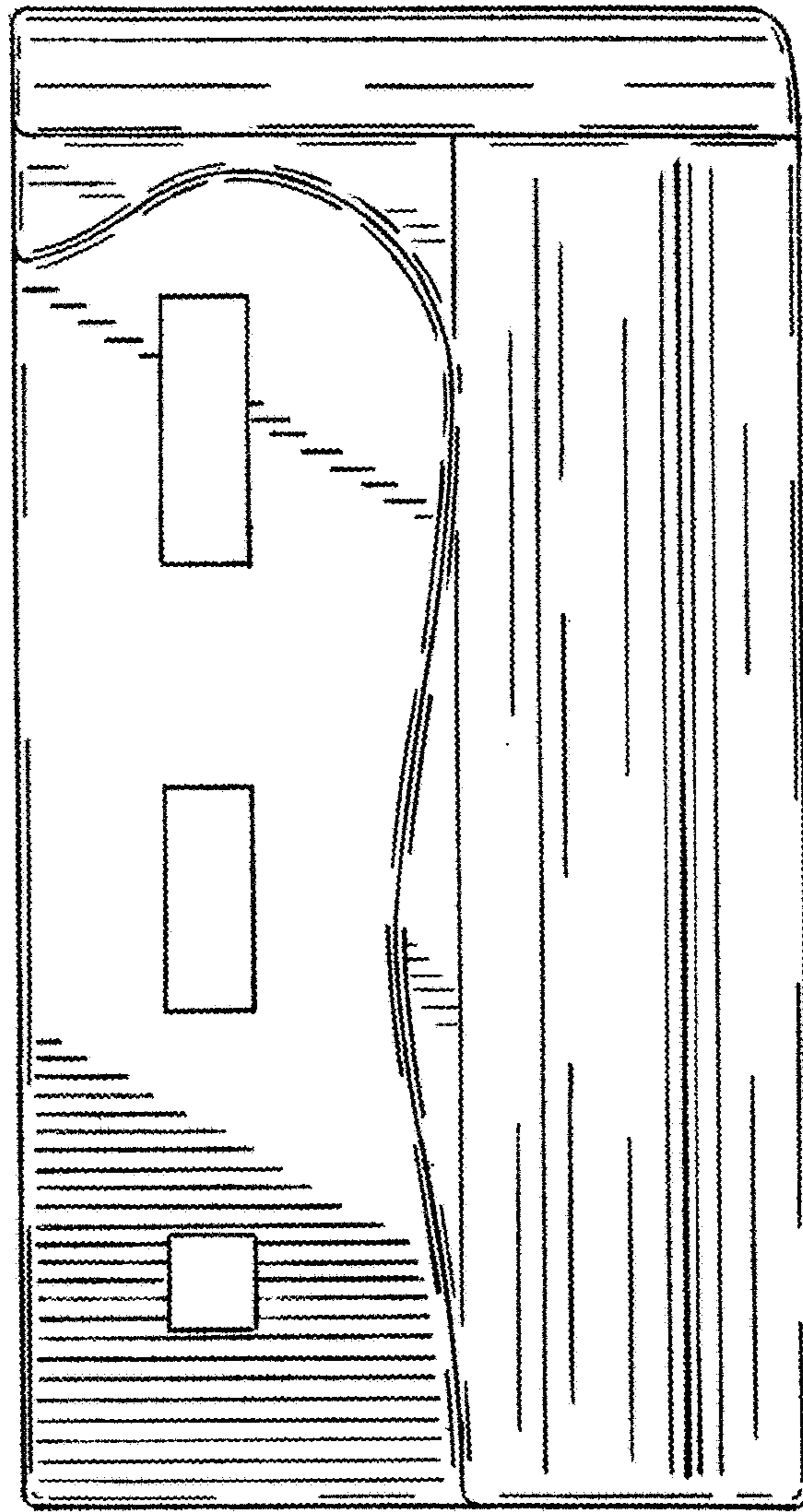


FIG. 3

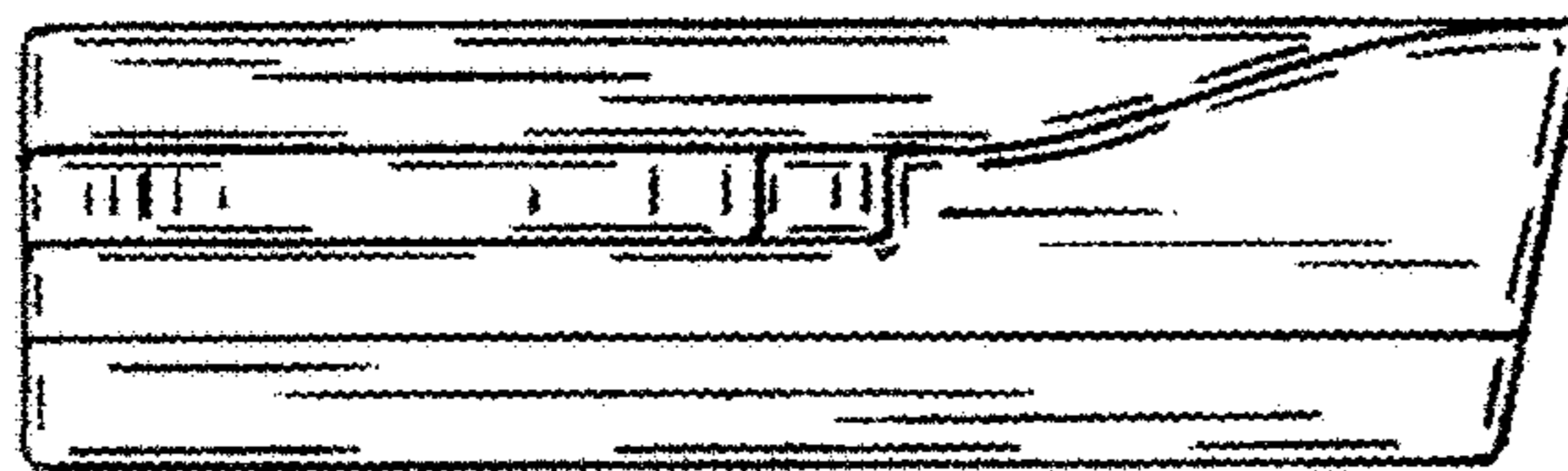


FIG. 4

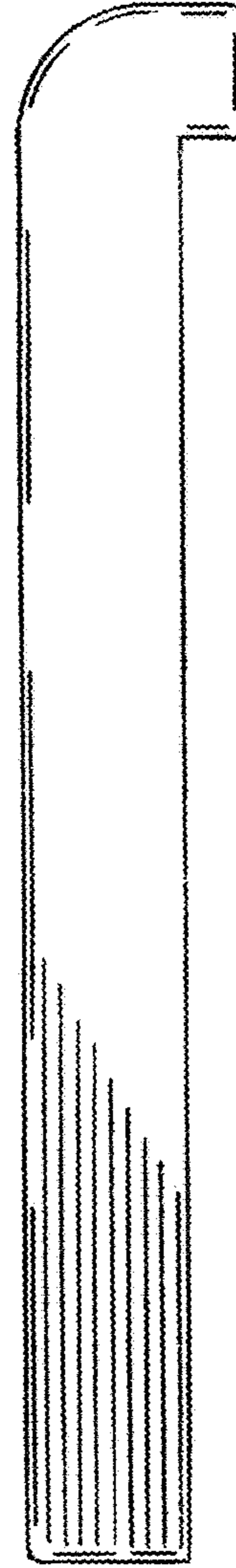


FIG. 7

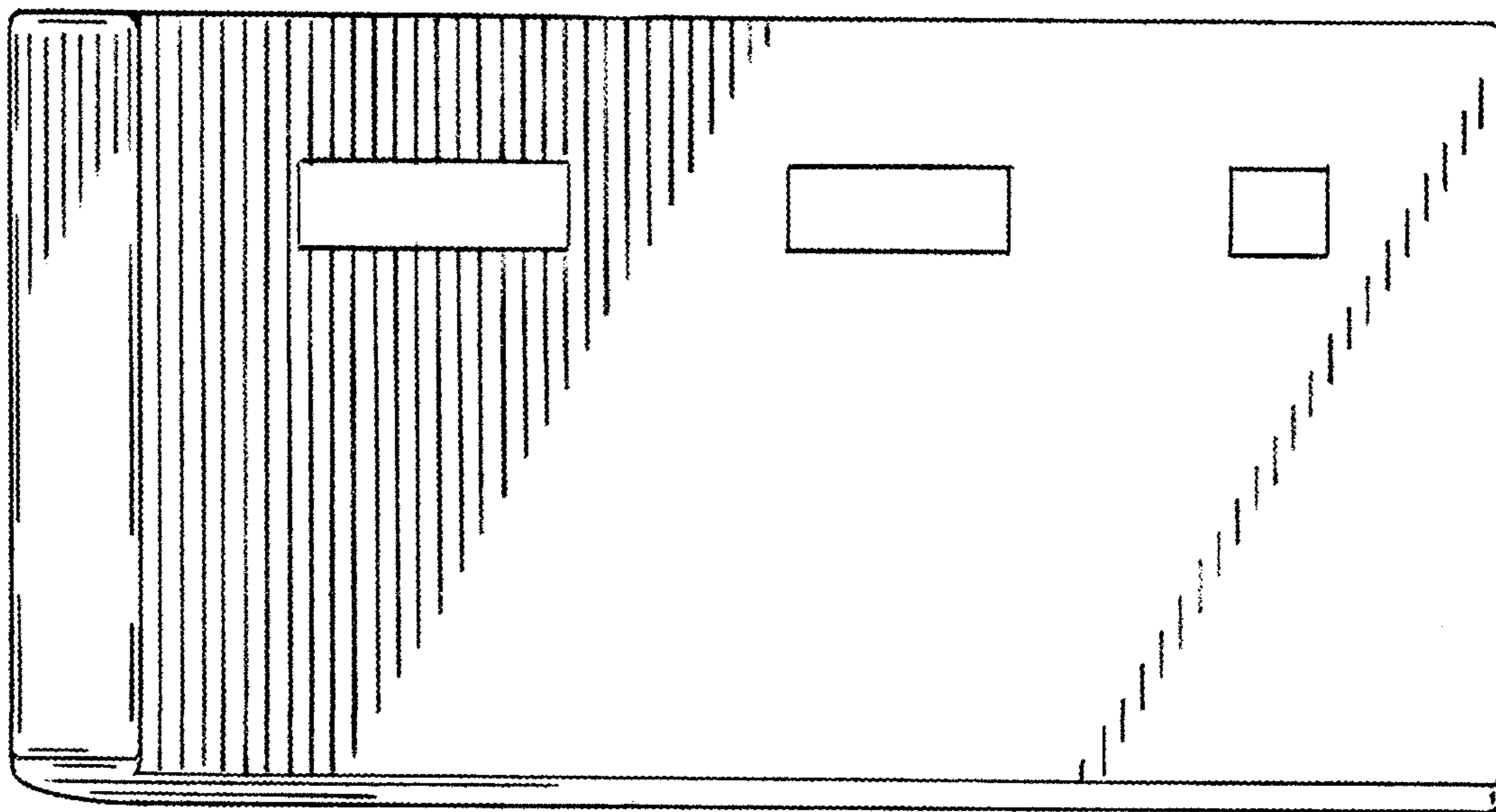


FIG. 8