



US00D889513S

(12) **United States Design Patent**
Shen

(10) **Patent No.:** **US D889,513 S**

(45) **Date of Patent:** **** Jul. 7, 2020**

(54) **INTERCOOLER PIPE**

(71) Applicant: **Lihua Shen**, Los Angeles, CA (US)

(72) Inventor: **Lihua Shen**, Los Angeles, CA (US)

(**) Term: **15 Years**

(21) Appl. No.: **29/677,163**

(22) Filed: **Jan. 17, 2019**

(51) **LOC (12) Cl.** **15-01**

(52) **U.S. Cl.**
USPC **D15/5**

(58) **Field of Classification Search**

CPC F02C 7/185; F02B 29/04; F02B 29/0475;
F02M 35/10347; F02M 35/10131; F02M
35/10354; F02M 35/10091; Y02T 10/146
See application file for complete search history.

(56) **References Cited**

U.S. PATENT DOCUMENTS

D757,119 S * 5/2016 Drabek D15/5
2009/0064959 A1 * 3/2009 Niakan F02M 35/10078
123/184.53

2016/0319782 A1 * 11/2016 Hutyan G01F 1/68
2018/0372031 A1 * 12/2018 Emrich F28F 9/0219
2019/0360438 A1 * 11/2019 Tiramani F02B 39/04
2020/0072140 A1 * 3/2020 Qin F02D 41/0007

* cited by examiner

Primary Examiner — Michael A. Pratt

(74) *Attorney, Agent, or Firm* — Che-Yang Chen; Law
Office of Michael Chen

(57) **CLAIM**

The ornamental design for an intercooler pipe, as shown and
described.

DESCRIPTION

FIG. 1 is a perspective view of the intercooler pipe showing
my new design;

FIG. 2 is a front elevational view thereof;

FIG. 3 is a rear elevational view thereof;

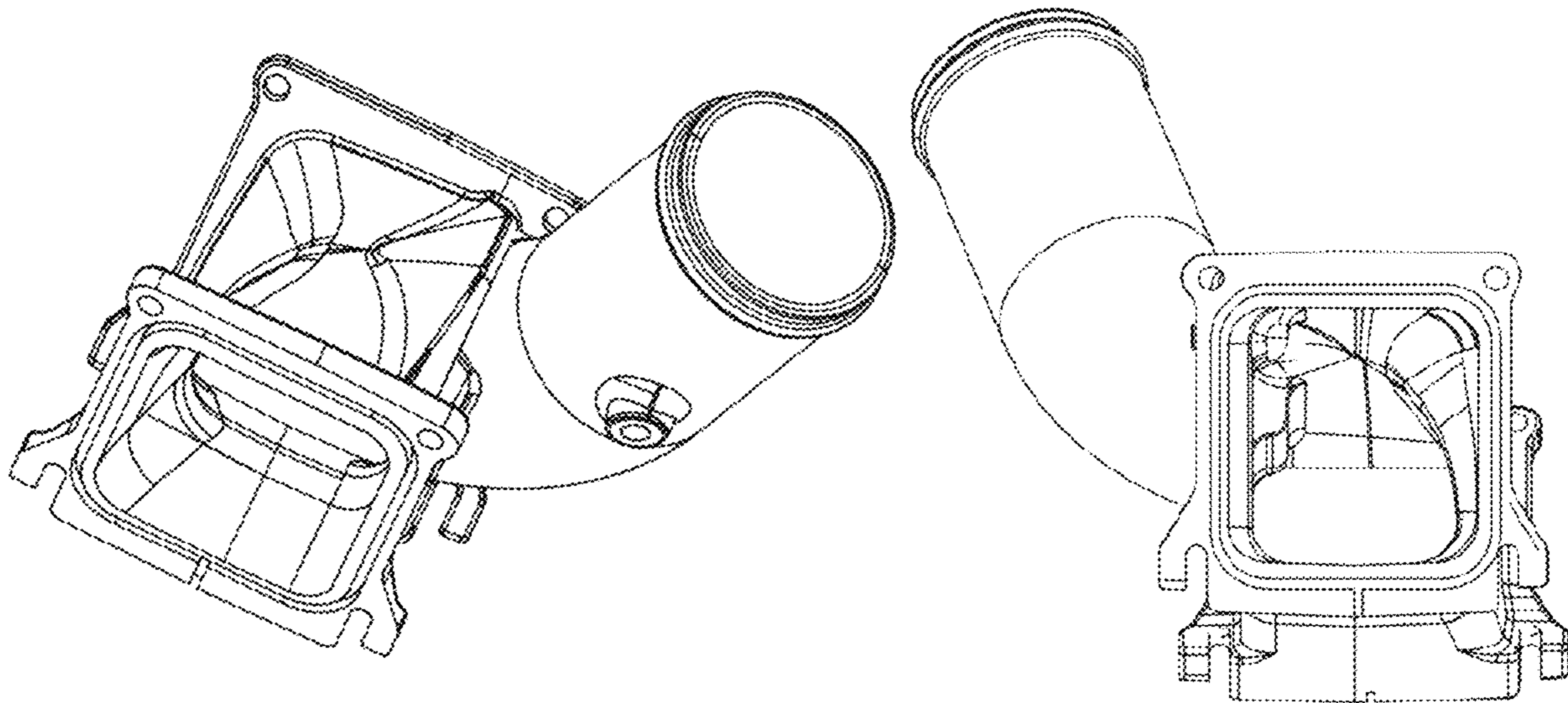
FIG. 4 is a left elevational view thereof;

FIG. 5 is a right elevational view thereof;

FIG. 6 is a top plan view thereof; and,

FIG. 7 is a bottom plan view thereof.

1 Claim, 7 Drawing Sheets



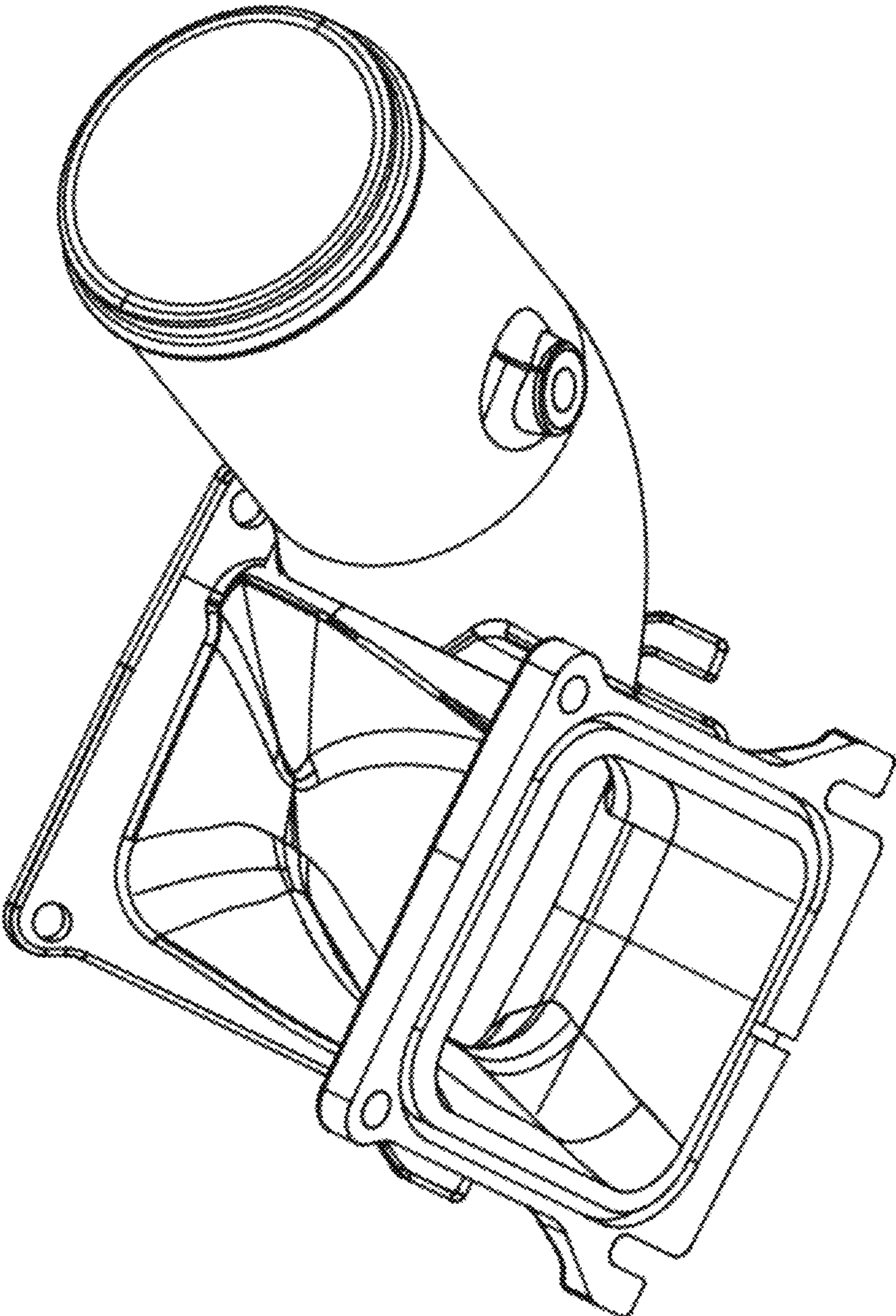


FIG. 1

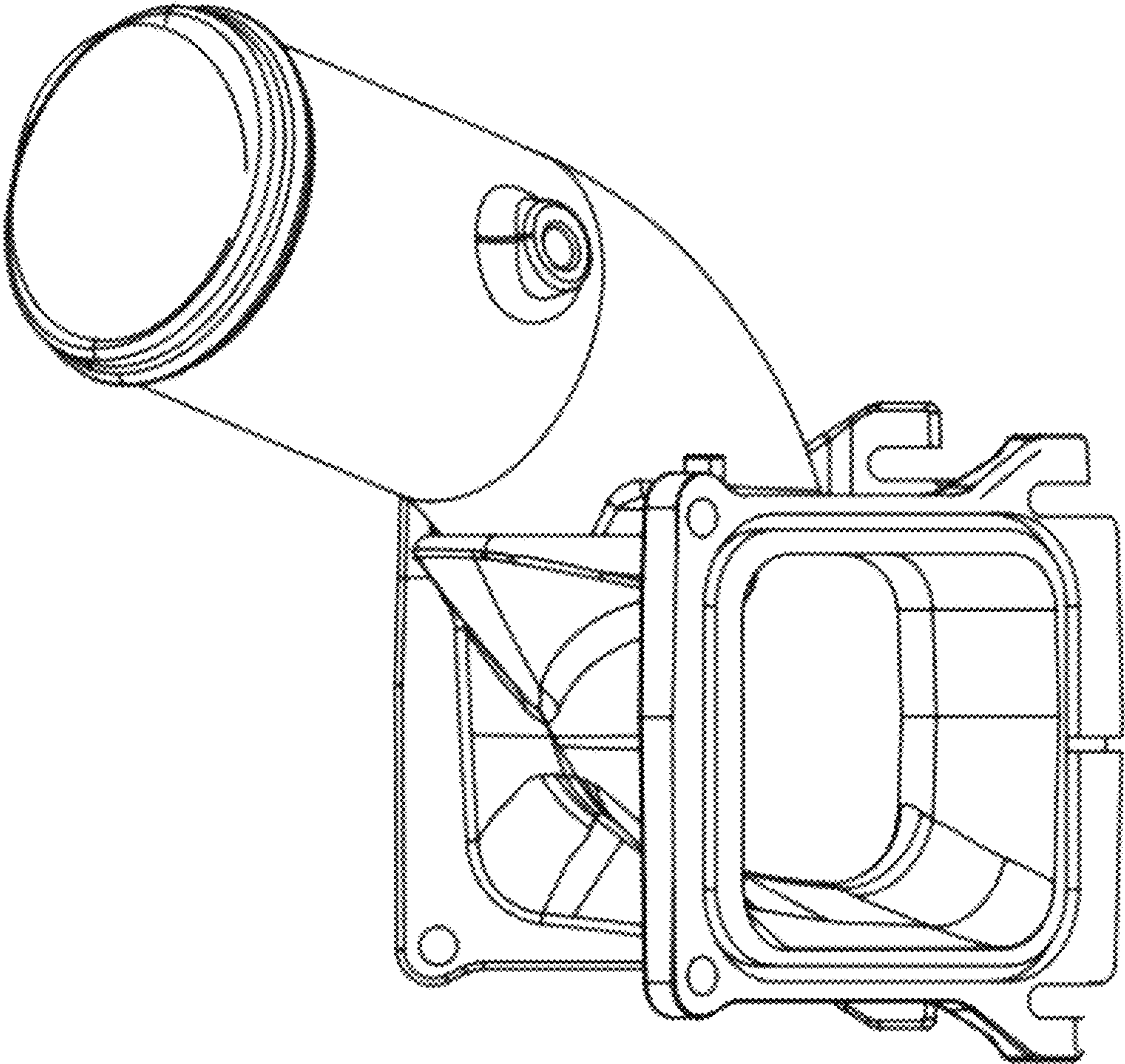


FIG. 2

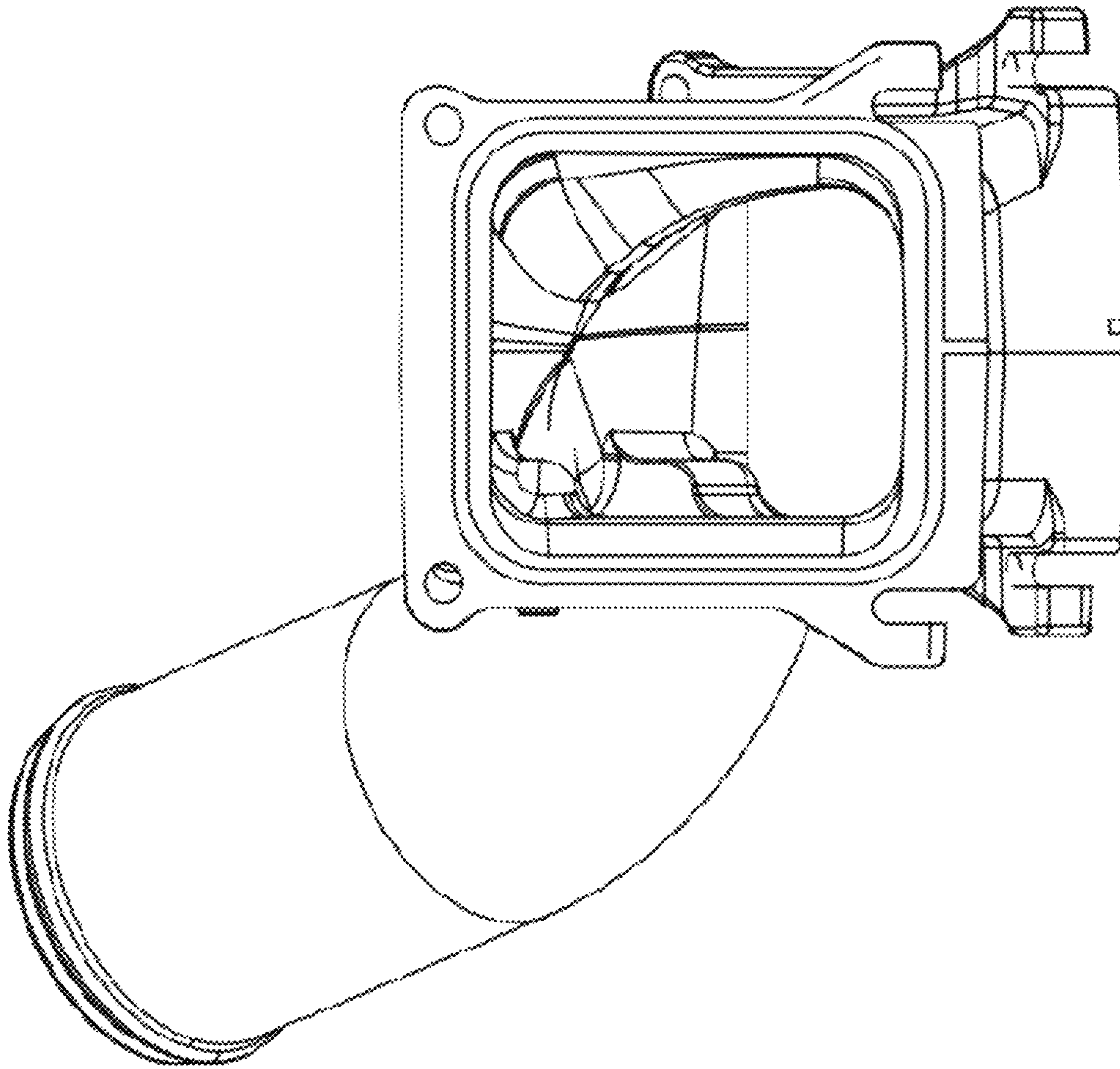


FIG. 3

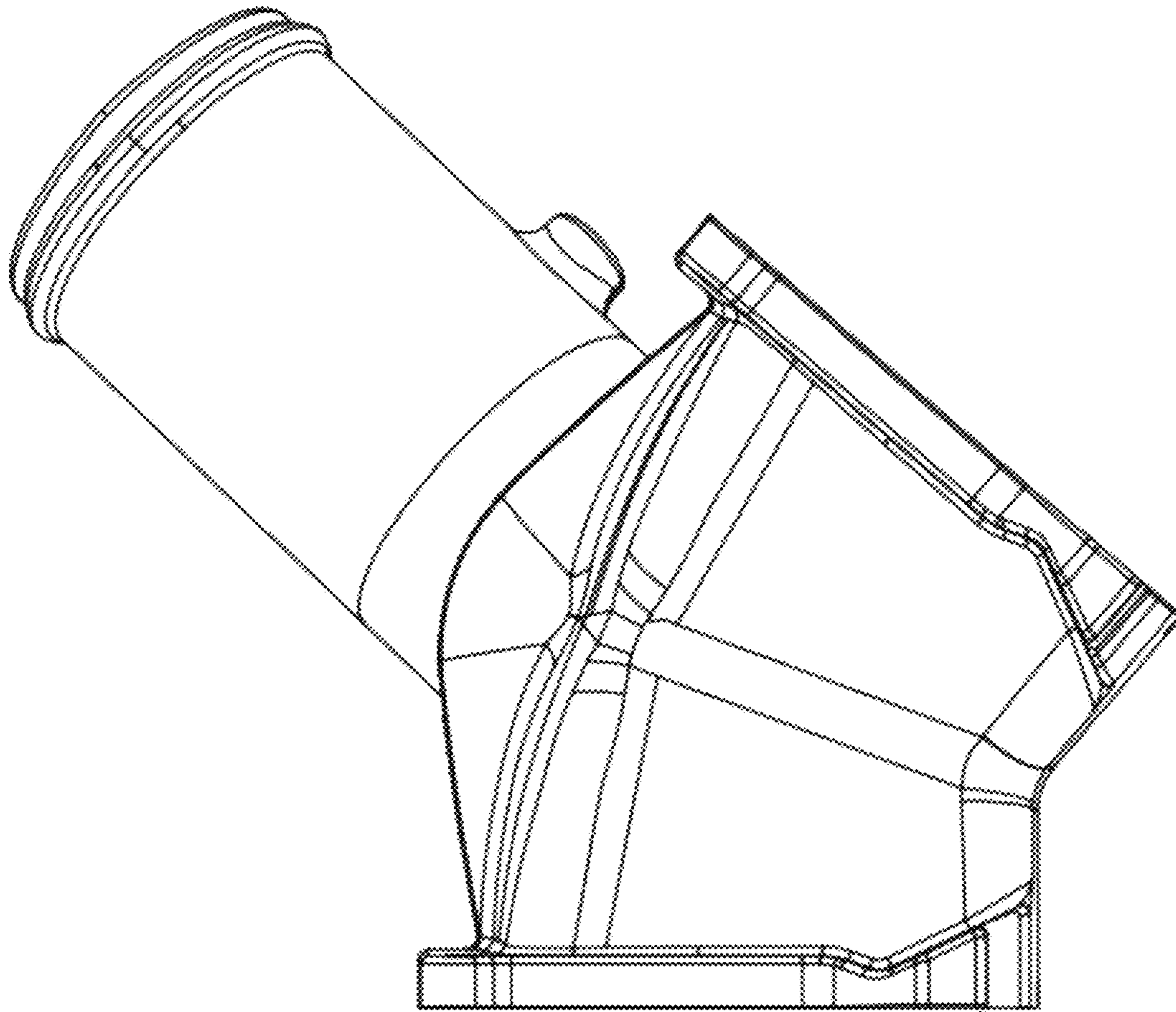


FIG. 4

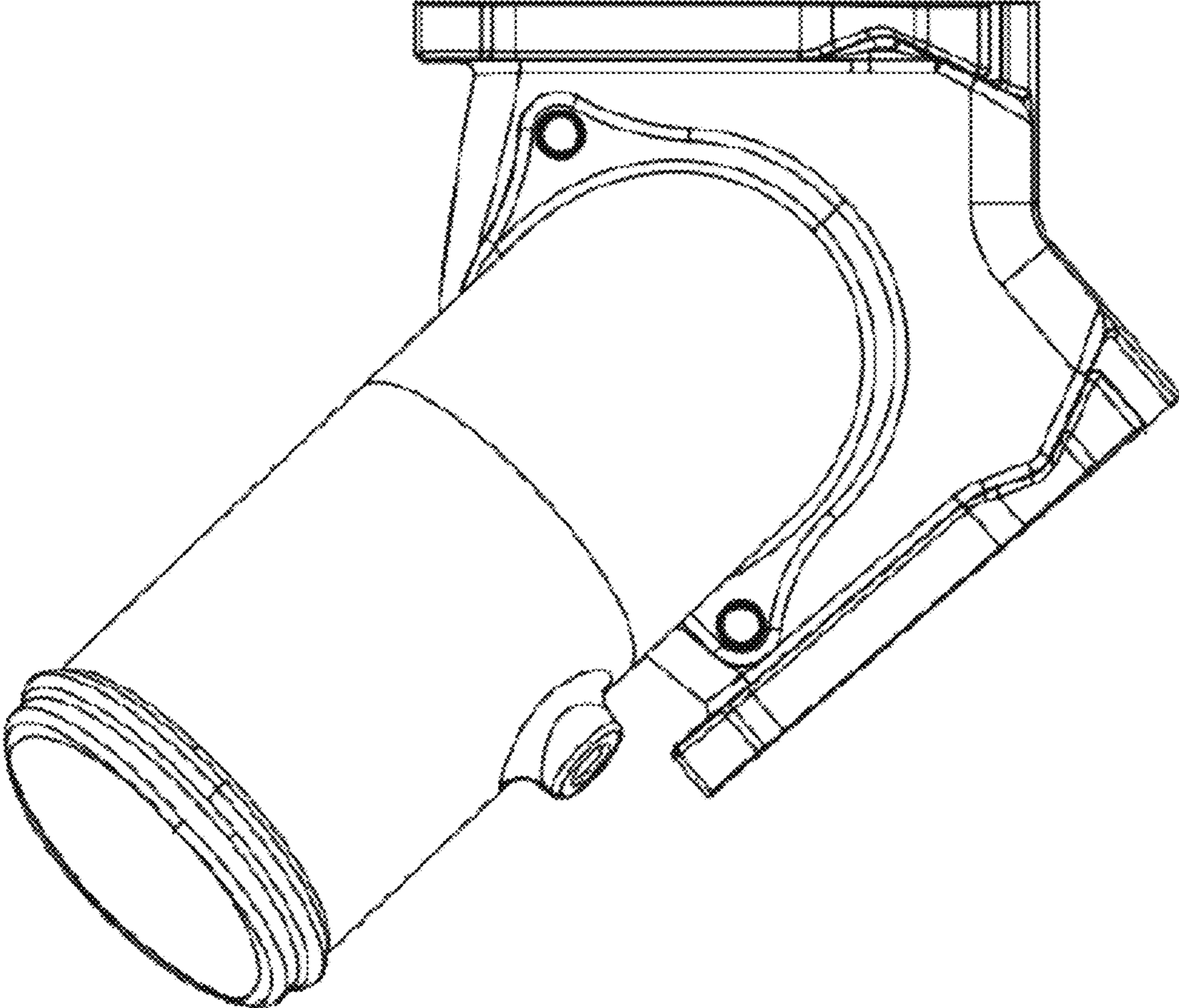


FIG. 5

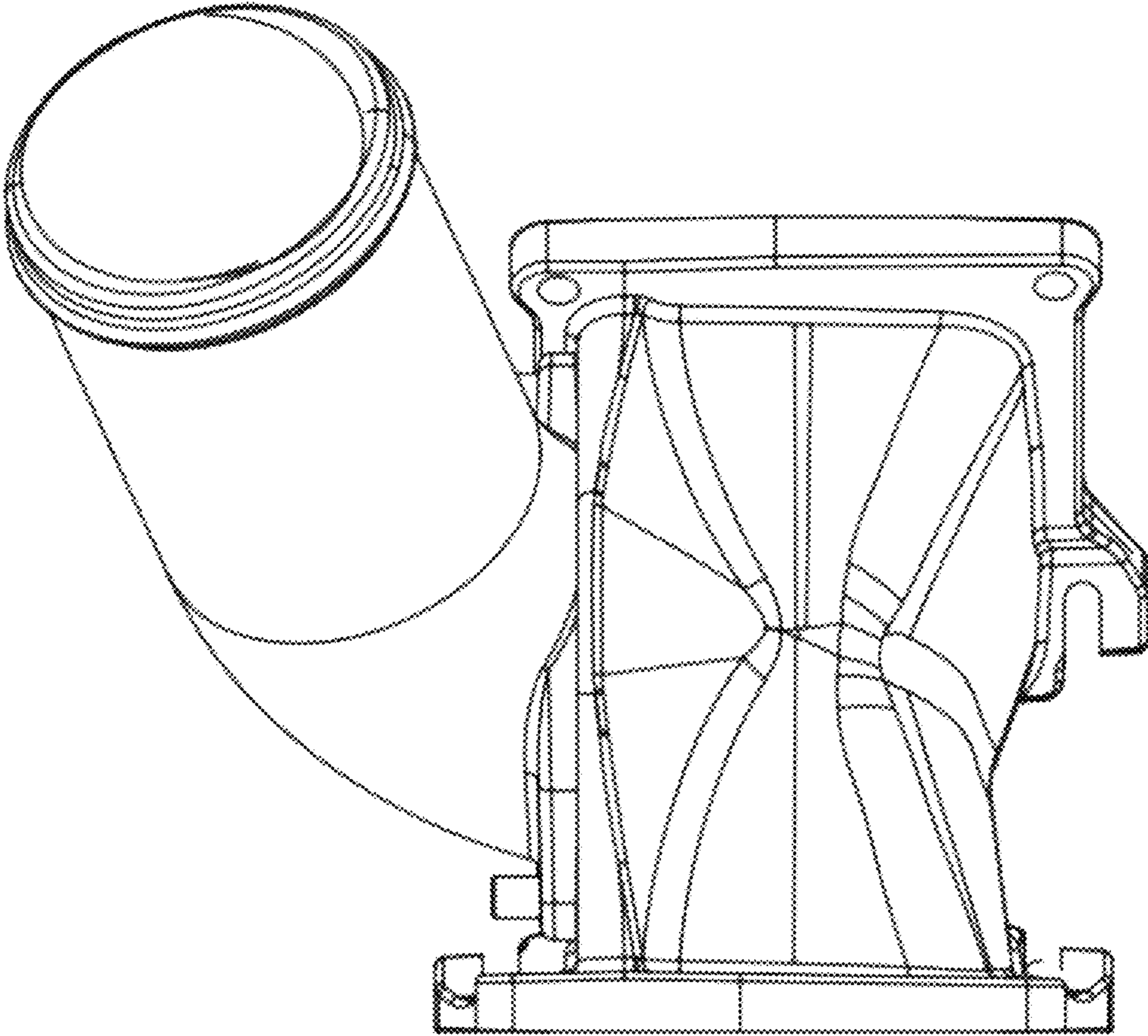


FIG. 6

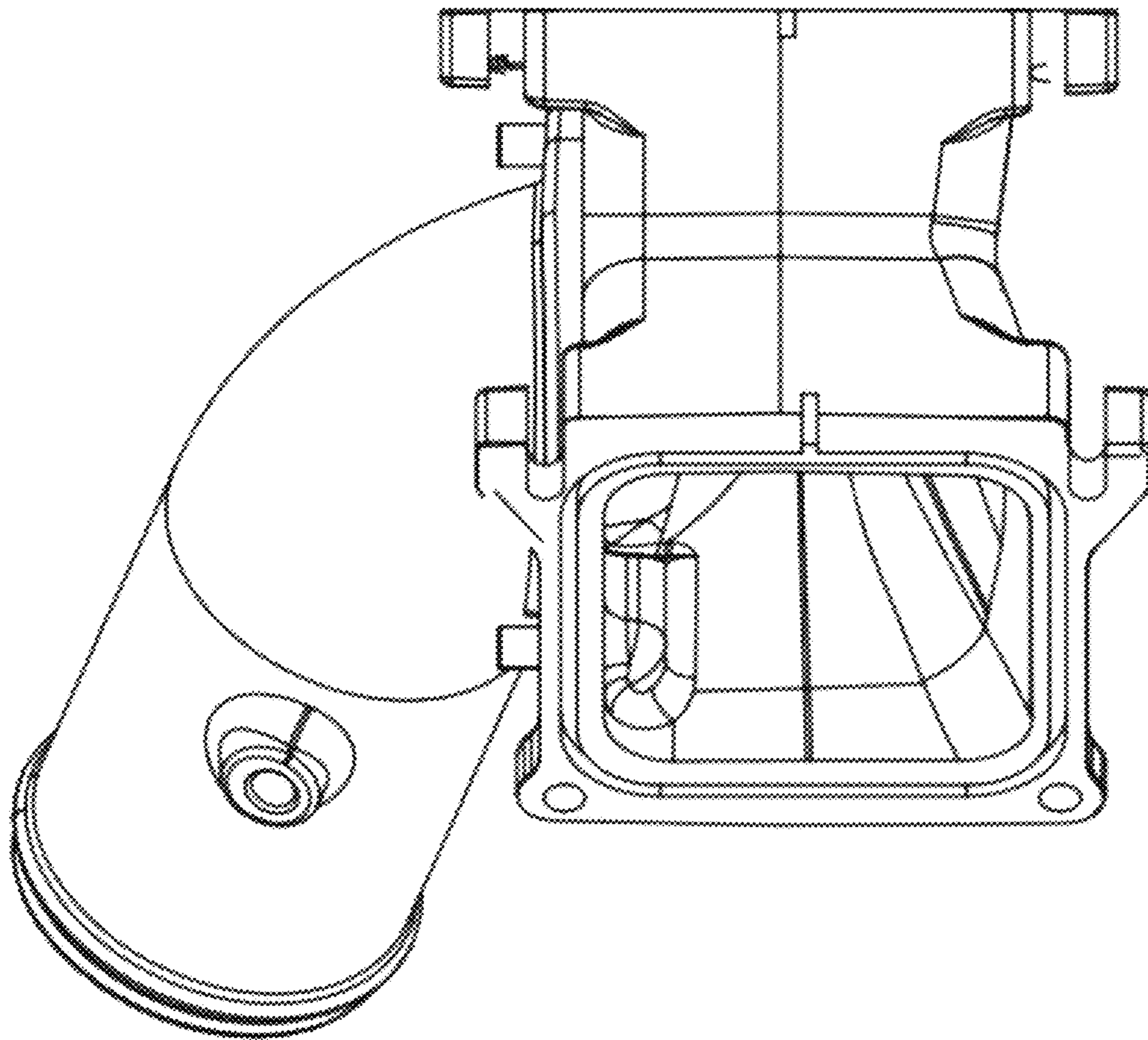


FIG. 7