



US00D889512S

(12) **United States Design Patent** (10) **Patent No.:** **US D889,512 S**
Hudnall et al. (45) **Date of Patent:** **** Jul. 7, 2020**

(54) **ALTERNATOR BRACKET**

FOREIGN PATENT DOCUMENTS

(71) Applicant: **Holley Performance Products, Inc.**,
Bowling Green, KY (US)

AU 201910219 3/2019
AU 201911577 4/2019

(72) Inventors: **Coy Hudnall**, Bowling Green, KY
(US); **Kevin Tracy**, Port Charlotte, FL
(US)

OTHER PUBLICATIONS

Holley, 2017 New & Hot Products Catalog, 4 pages, 2016.
IP Australia, Formalities Notice No. 1 for application No. 201910219
dated Feb. 25, 2019.

(73) Assignee: **Holley Performance Products, Inc.**,
Bowling Green, KY (US)

Primary Examiner — Ania Aman

(**) Term: **15 Years**

(74) *Attorney, Agent, or Firm* — Middleton Reutlinger

(21) Appl. No.: **29/658,717**

(57) **CLAIM**

(22) Filed: **Aug. 2, 2018**

The ornamental design for an alternator bracket, as shown
and described.

(51) **LOC (12) Cl.** **15-01**

(52) **U.S. Cl.**
USPC **D15/5**

DESCRIPTION

(58) **Field of Classification Search**
USPC D15/1-9, 143; D23/231, 232, 225;
D12/160, 159, 223, 114, 162; D8/14,
D8/349, 354, 382, 499, 364
CPC F04D 29/426; F04D 29/126; F04D 29/445;
F04D 29/086; F04D 29/167; F04D 29/44;
F04D 29/58; F04D 29/60; F04D 29/601;
F04D 29/602; F04D 29/00; F04D 29/002;
F04D 29/005; F04D 29/007; H02K 11/05
See application file for complete search history.

FIG. 1 is a first perspective view of a first design of an
alternator bracket;
FIG. 2 is a second perspective of the design of FIG. 1;
FIG. 3 is a top view of the design of FIG. 1;
FIG. 4 is a bottom view of the design of FIG. 1;
FIG. 5 is a left side view of the design of FIG. 1;
FIG. 6 is a right side of the design of FIG. 1;
FIG. 7 is a front view of the design of FIG. 1;
FIG. 8 is a rear view of the design of FIG. 1;
FIG. 9 is a first perspective view of a second design of an
alternator bracket;
FIG. 10 is a second perspective of the design of FIG. 9;
FIG. 11 is a top view of the design of FIG. 9;
FIG. 12 is a bottom view of the design of FIG. 9;
FIG. 13 is a left side view of the design of FIG. 9;
FIG. 14 is a right side of the design of FIG. 9;
FIG. 15 is a front view of the design of FIG. 9; and,
FIG. 16 is a rear view of the design of FIG. 9.
The broken lines shown in the drawings are for the purpose
of illustrating portions of the article and form no part of the
claimed design.

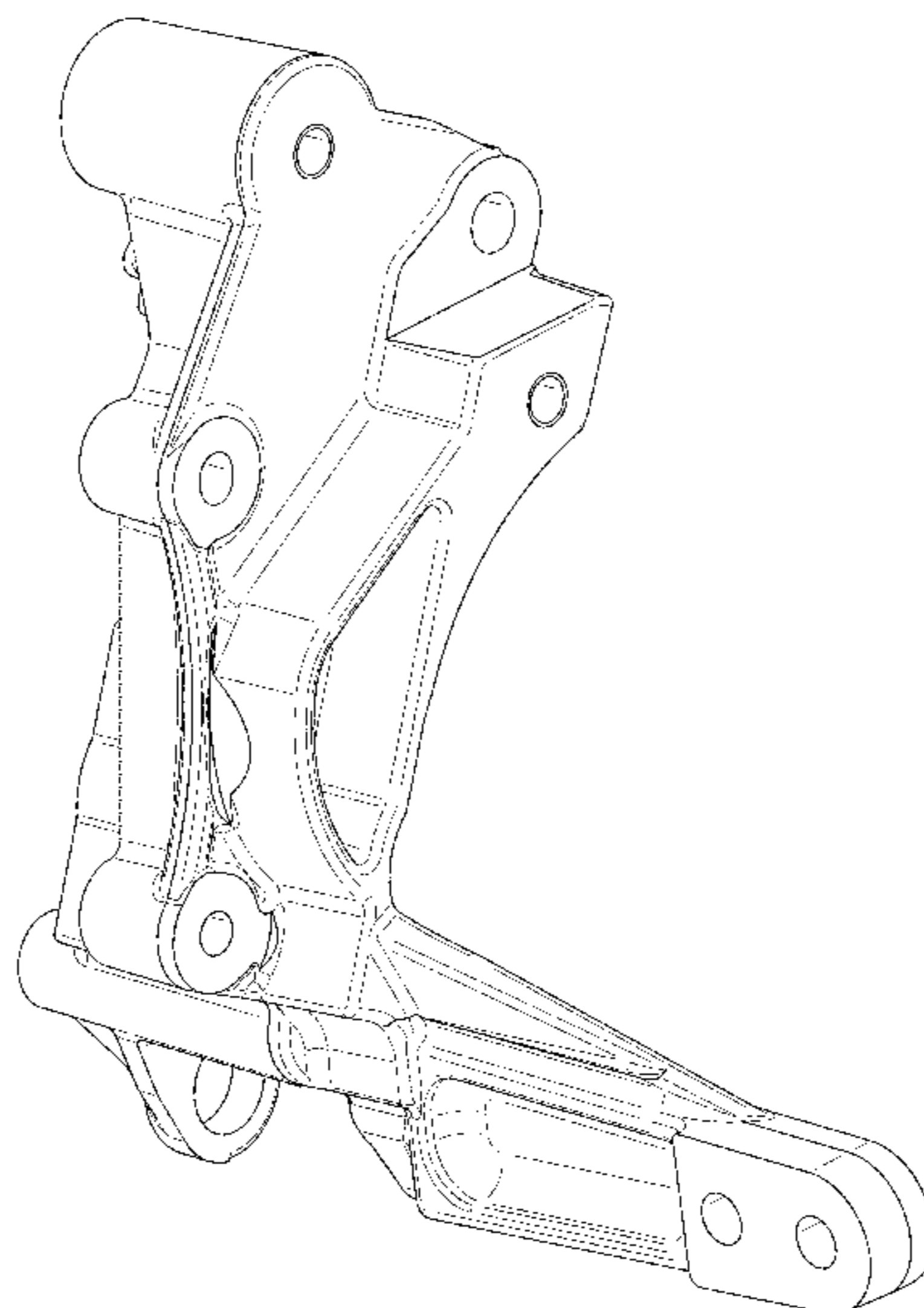
(56) **References Cited**

U.S. PATENT DOCUMENTS

D250,805 S * 1/1979 Mygind D8/354
D330,154 S * 10/1992 Wagner D13/122
D600,720 S * 9/2009 Iwanicki D15/5
8,511,272 B2 * 8/2013 Koyama F02F 7/0068
123/195 A
2009/0159038 A1 * 6/2009 Koyama F02B 67/00
123/195 A
2015/0061421 A1 * 3/2015 Yano H02K 9/00
310/52

(Continued)

1 Claim, 16 Drawing Sheets



(56)

References Cited

U.S. PATENT DOCUMENTS

2015/0251536 A1* 9/2015 Sullivan B60K 25/02
248/674
2019/0242328 A1* 8/2019 Gillespie F02F 7/0082
2019/0345893 A1* 11/2019 Howard F02F 7/0068

* cited by examiner

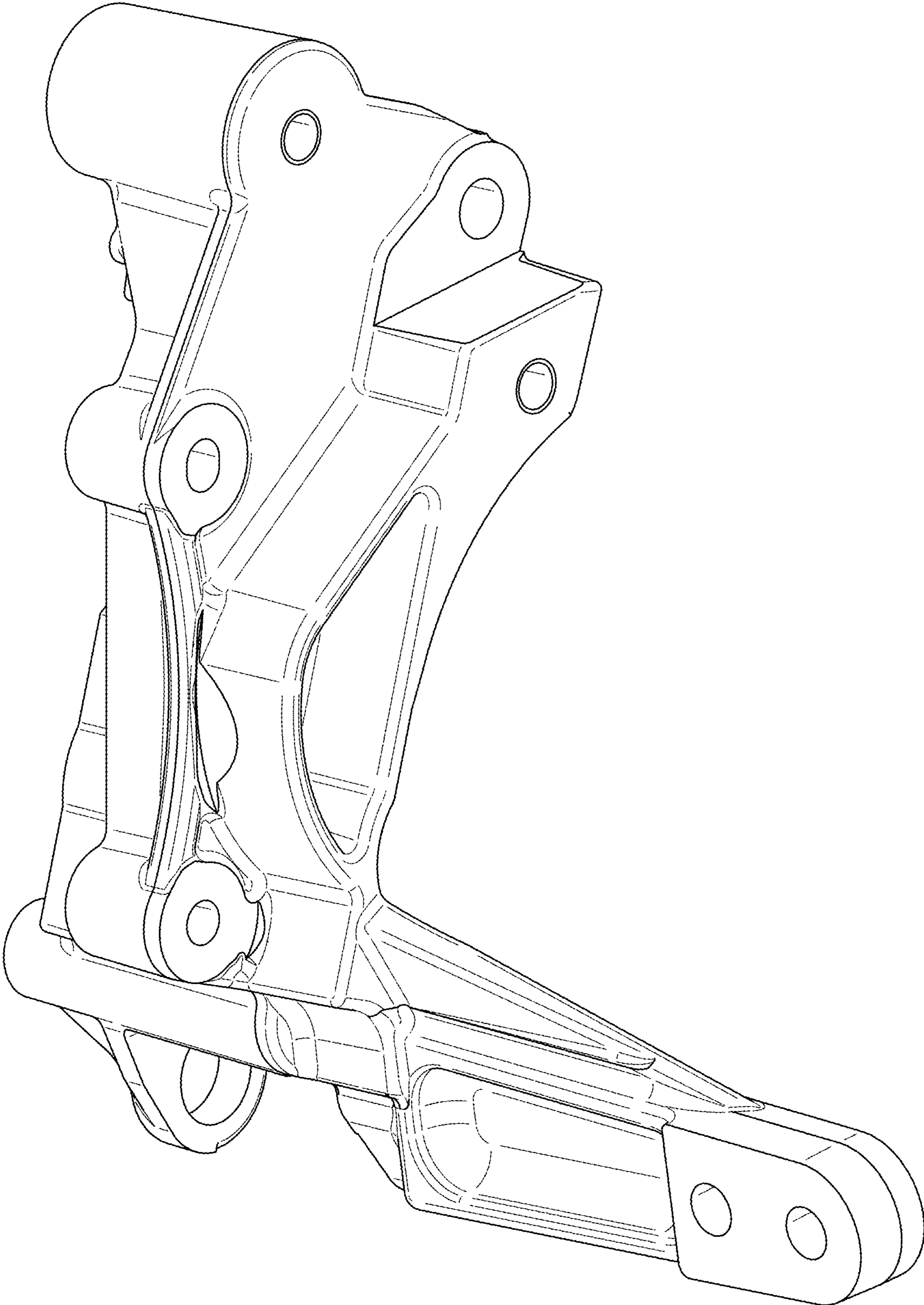


FIG. 1

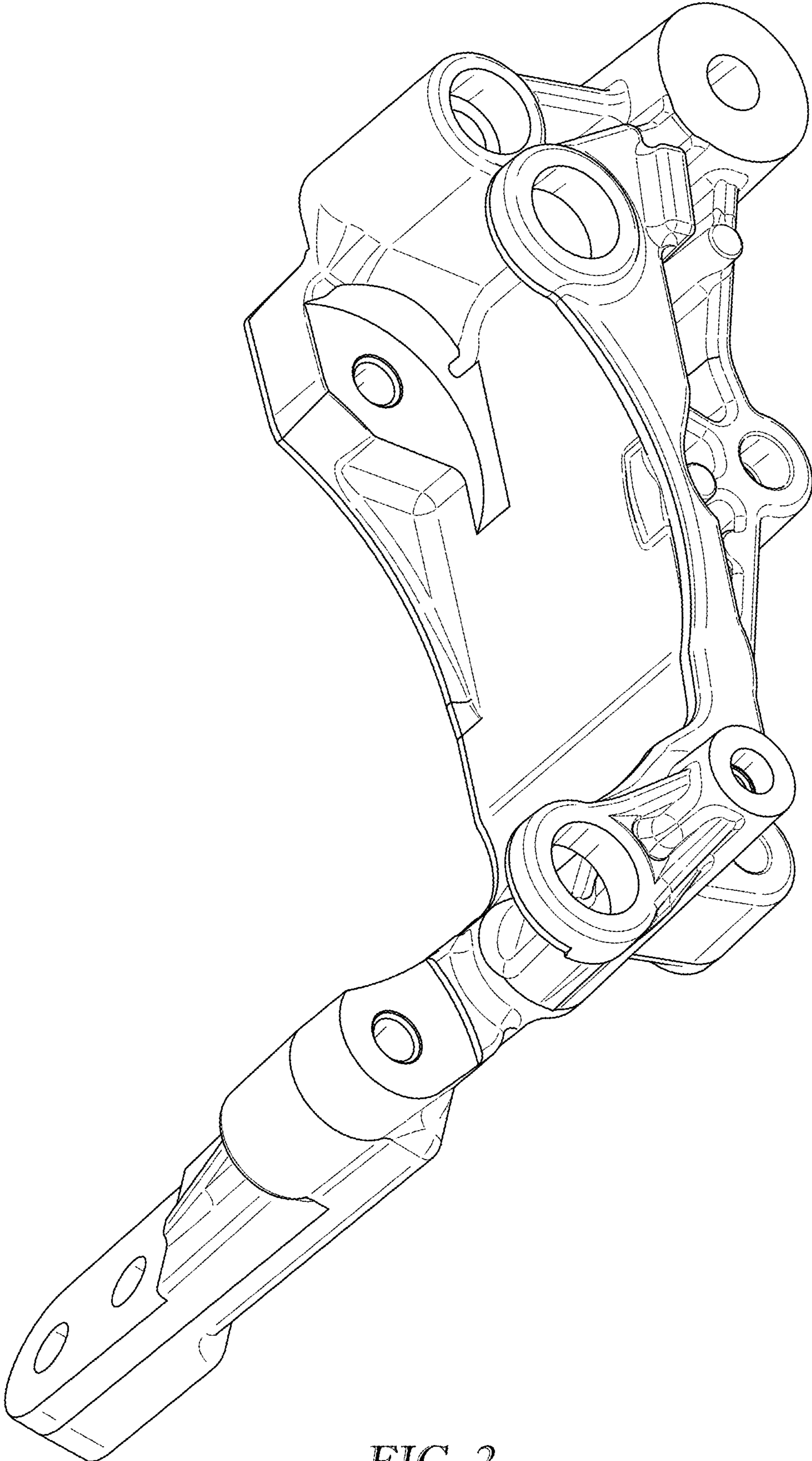


FIG. 2

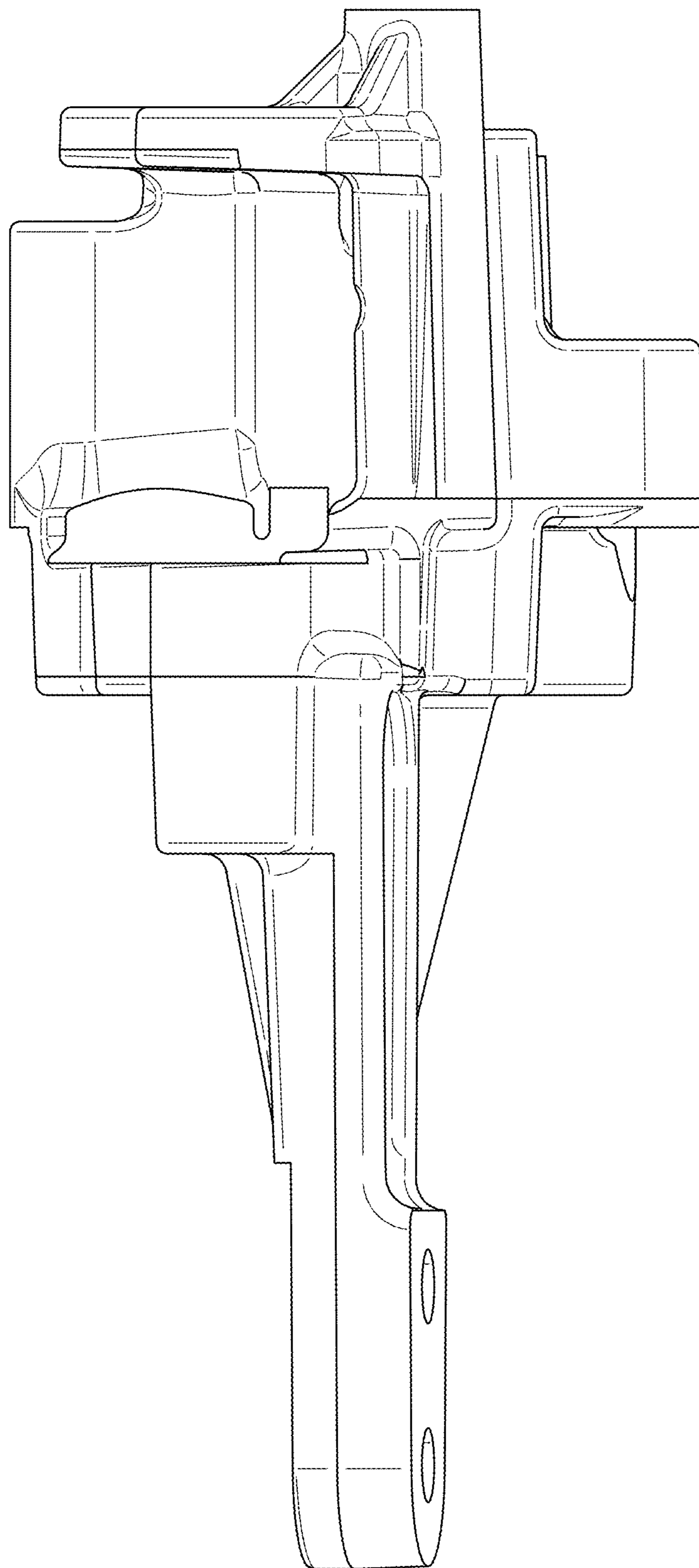


FIG. 3

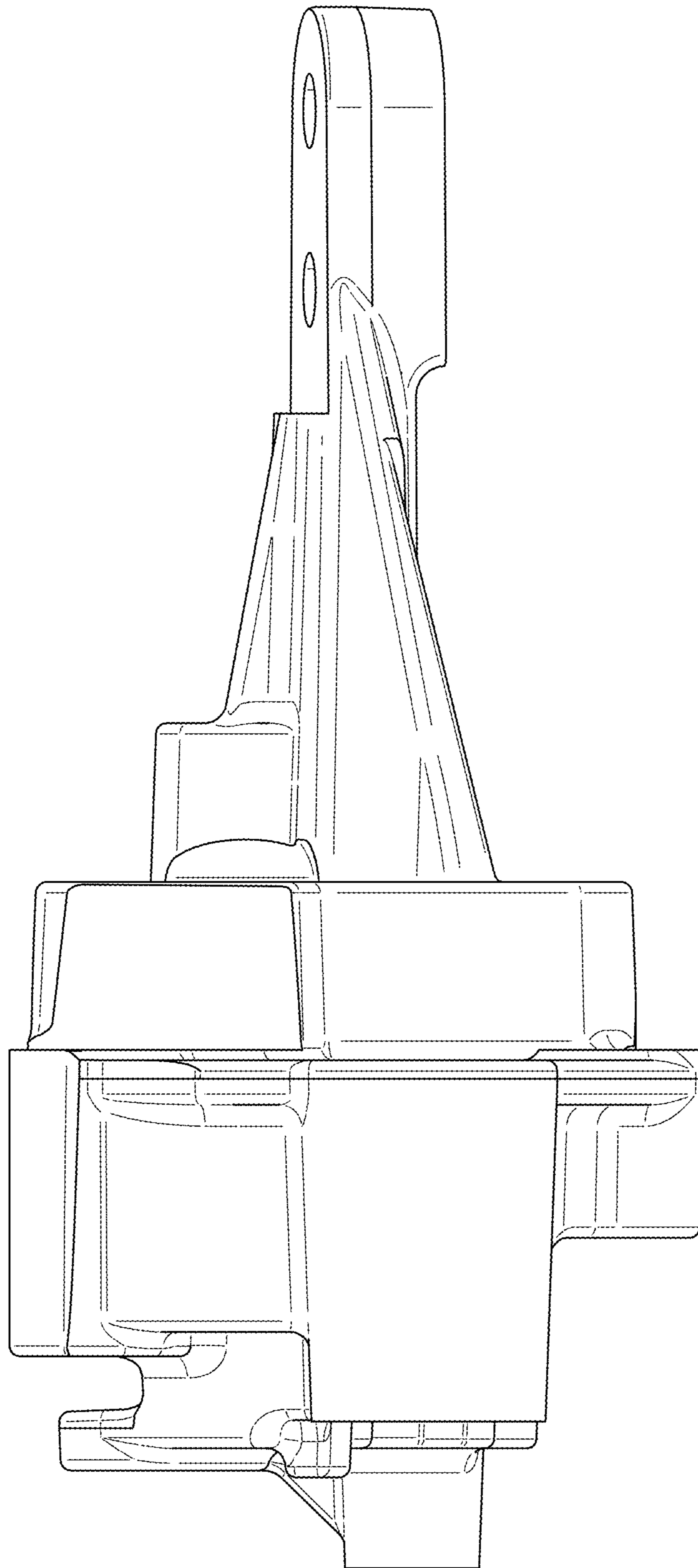


FIG. 4

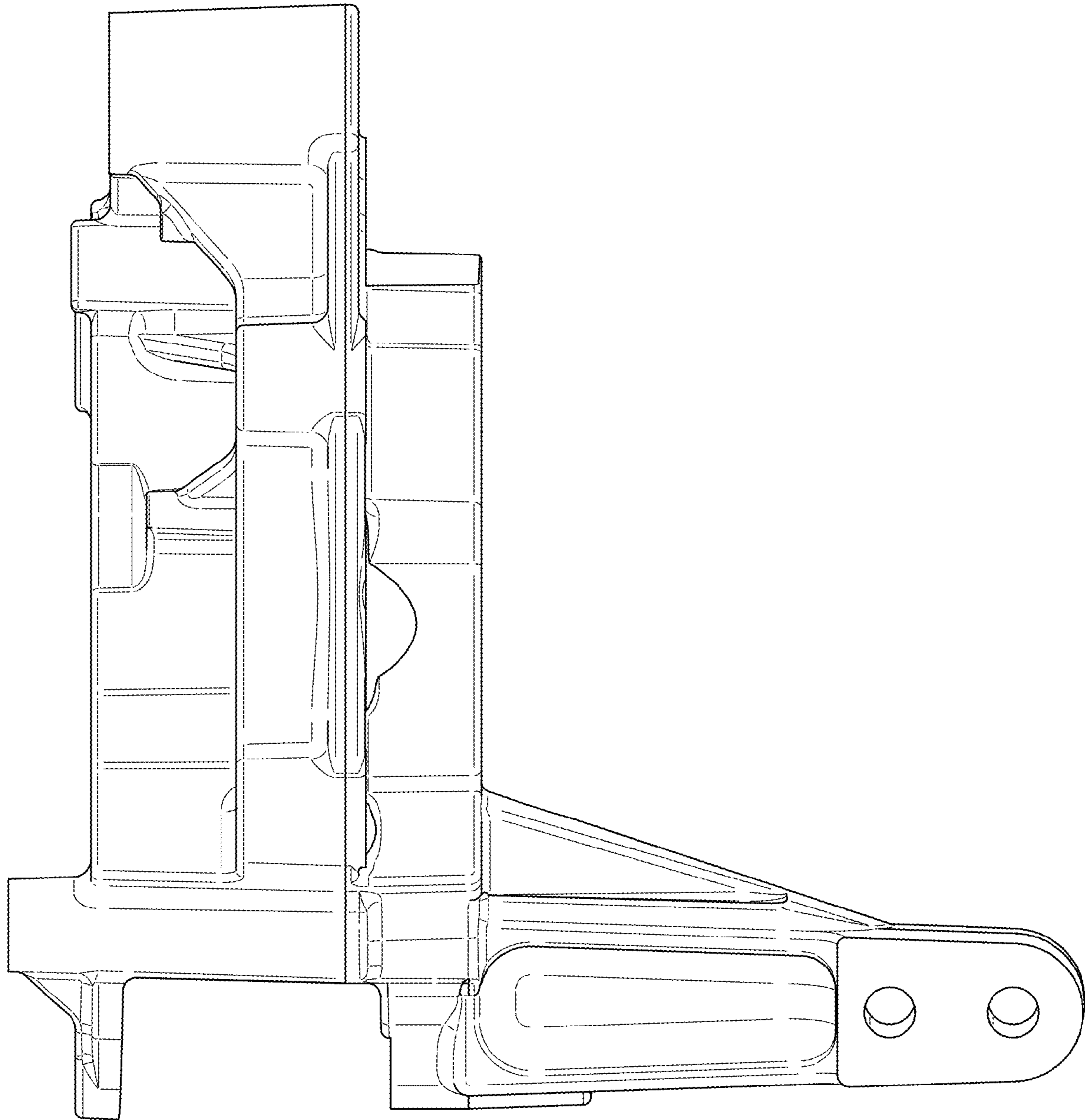


FIG. 5

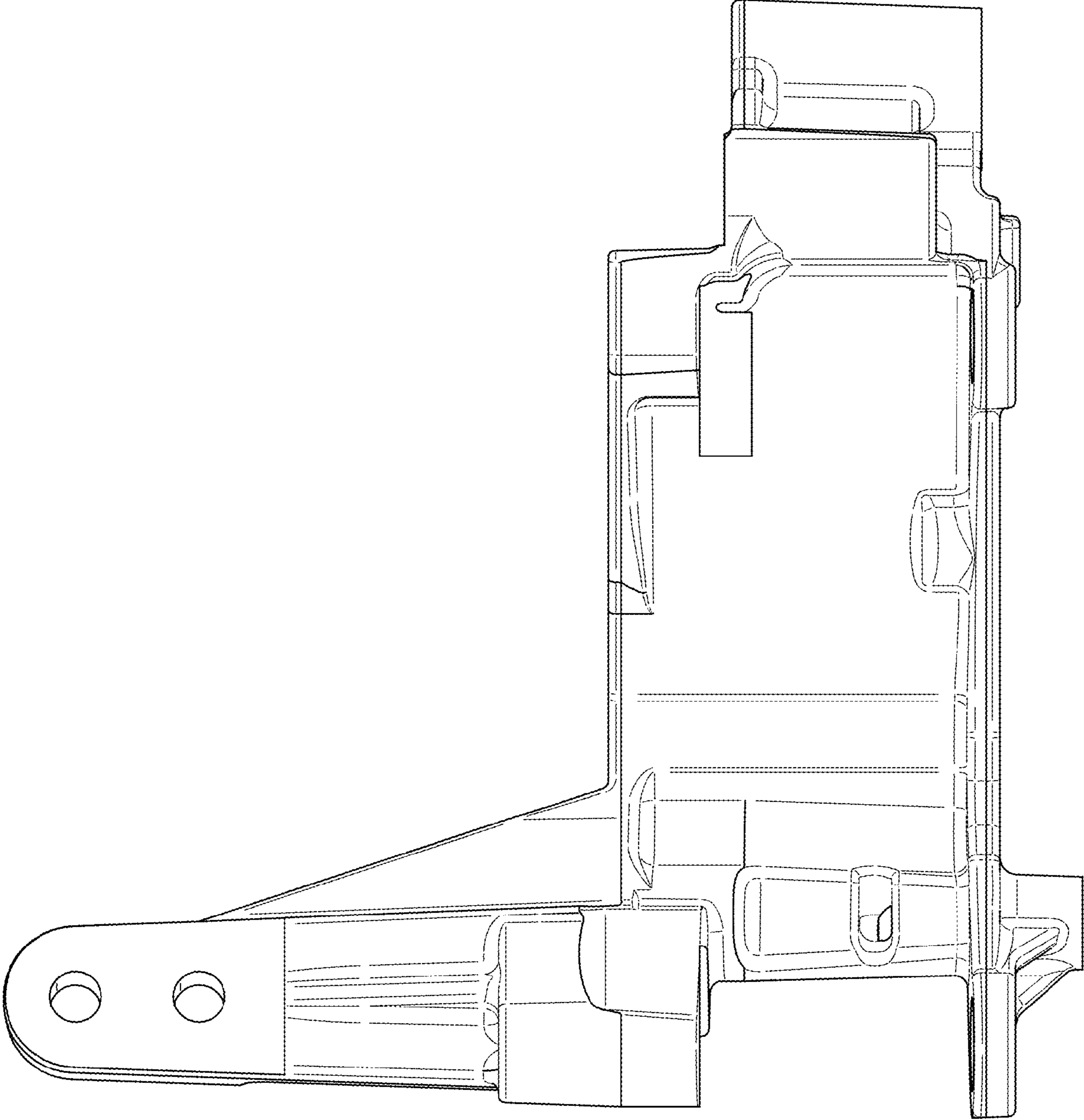


FIG. 6

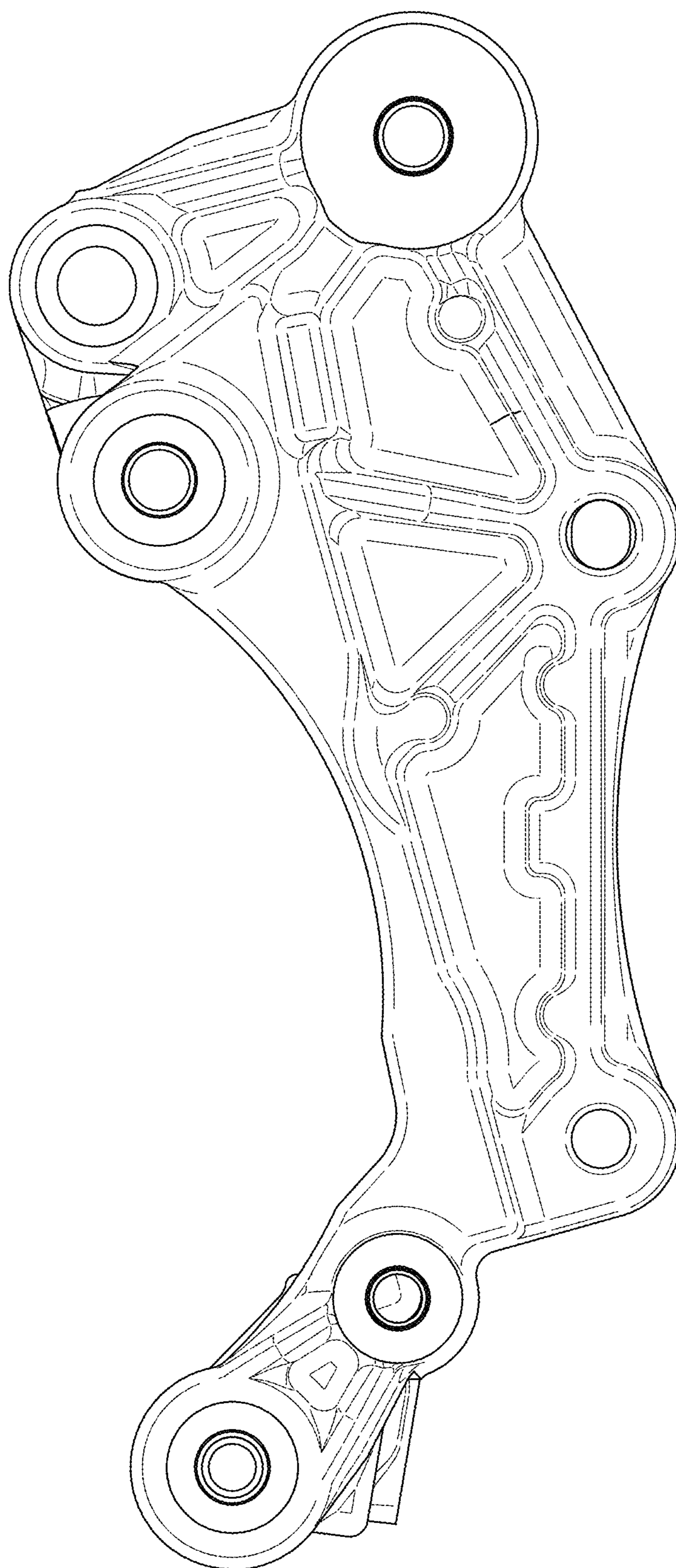


FIG. 7

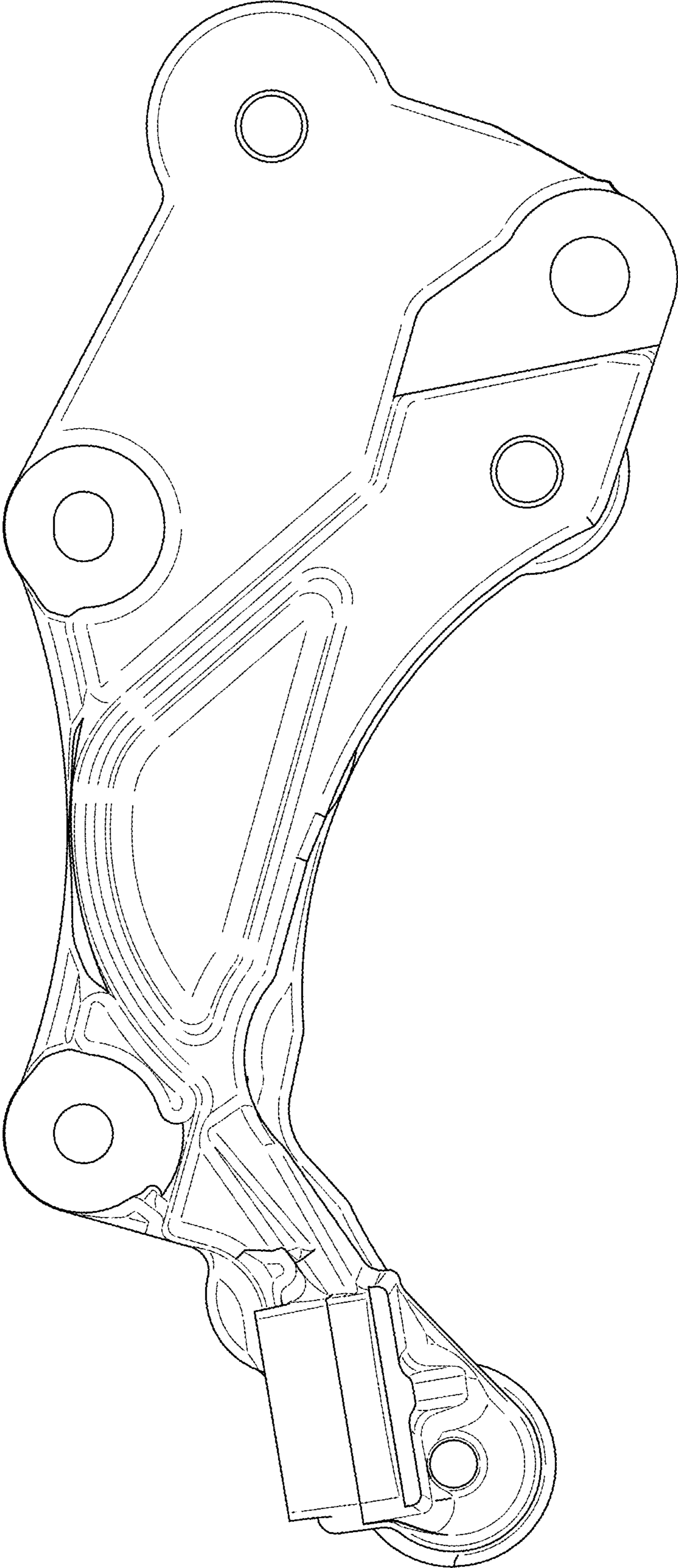


FIG. 8

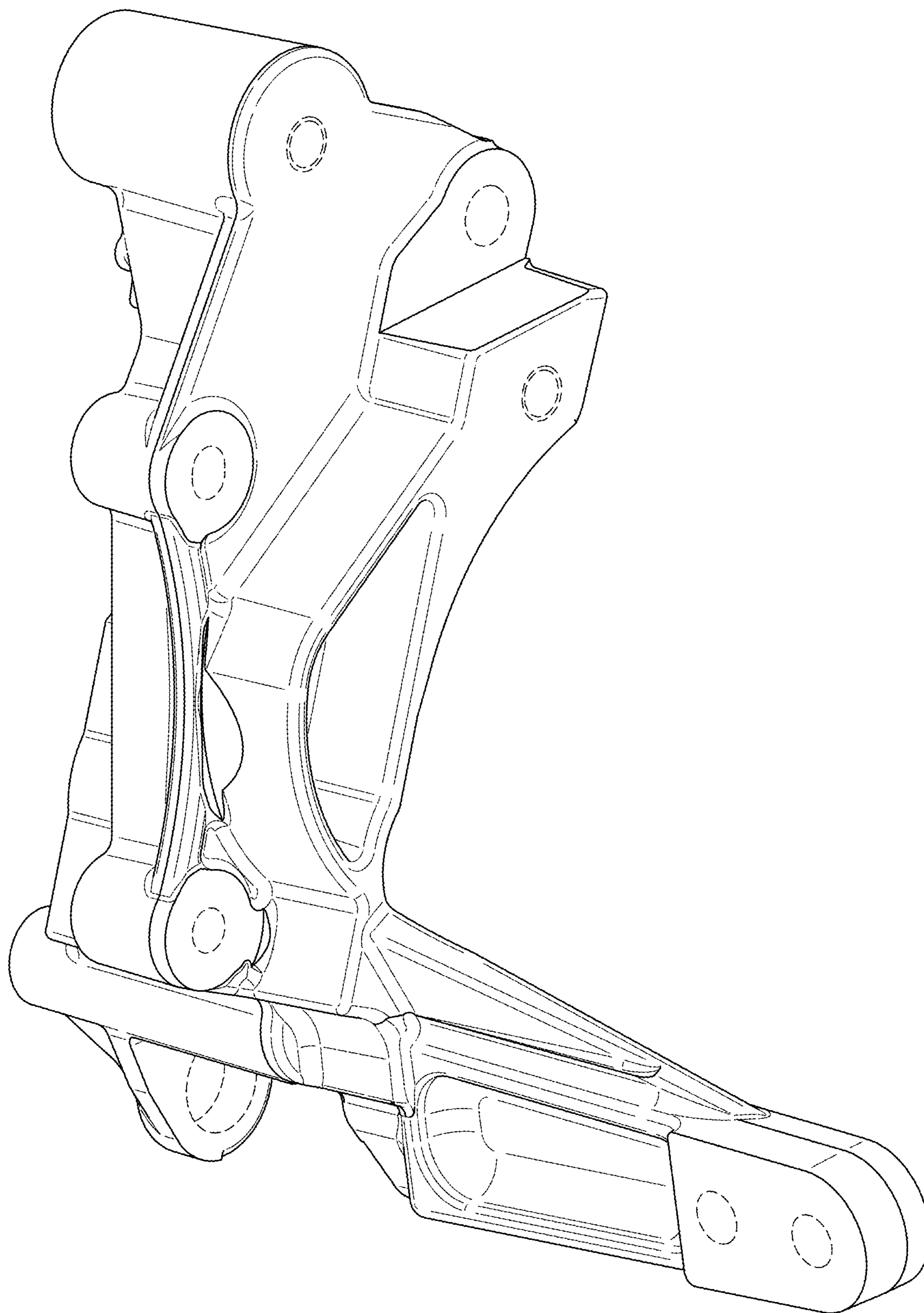


FIG. 9

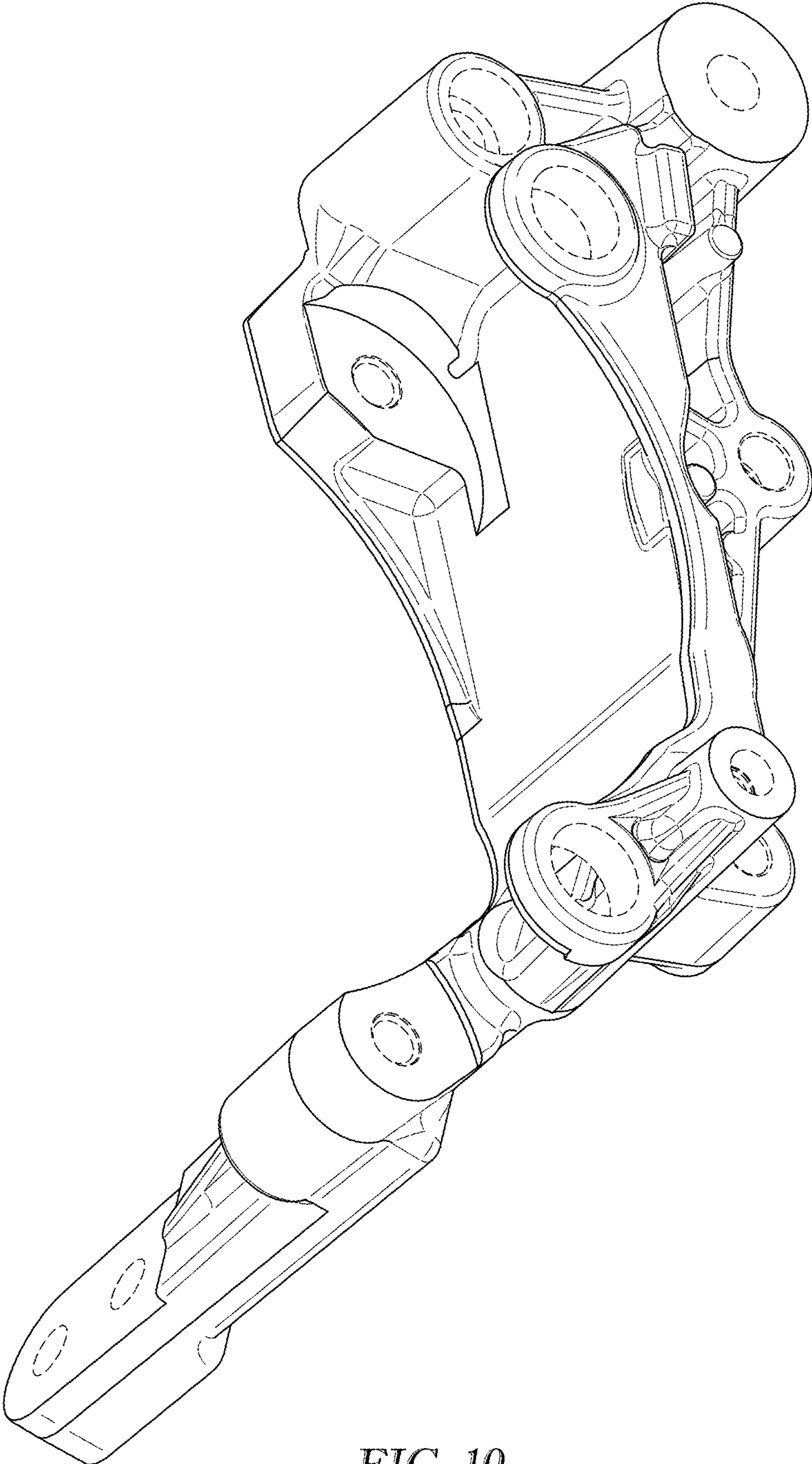


FIG. 10

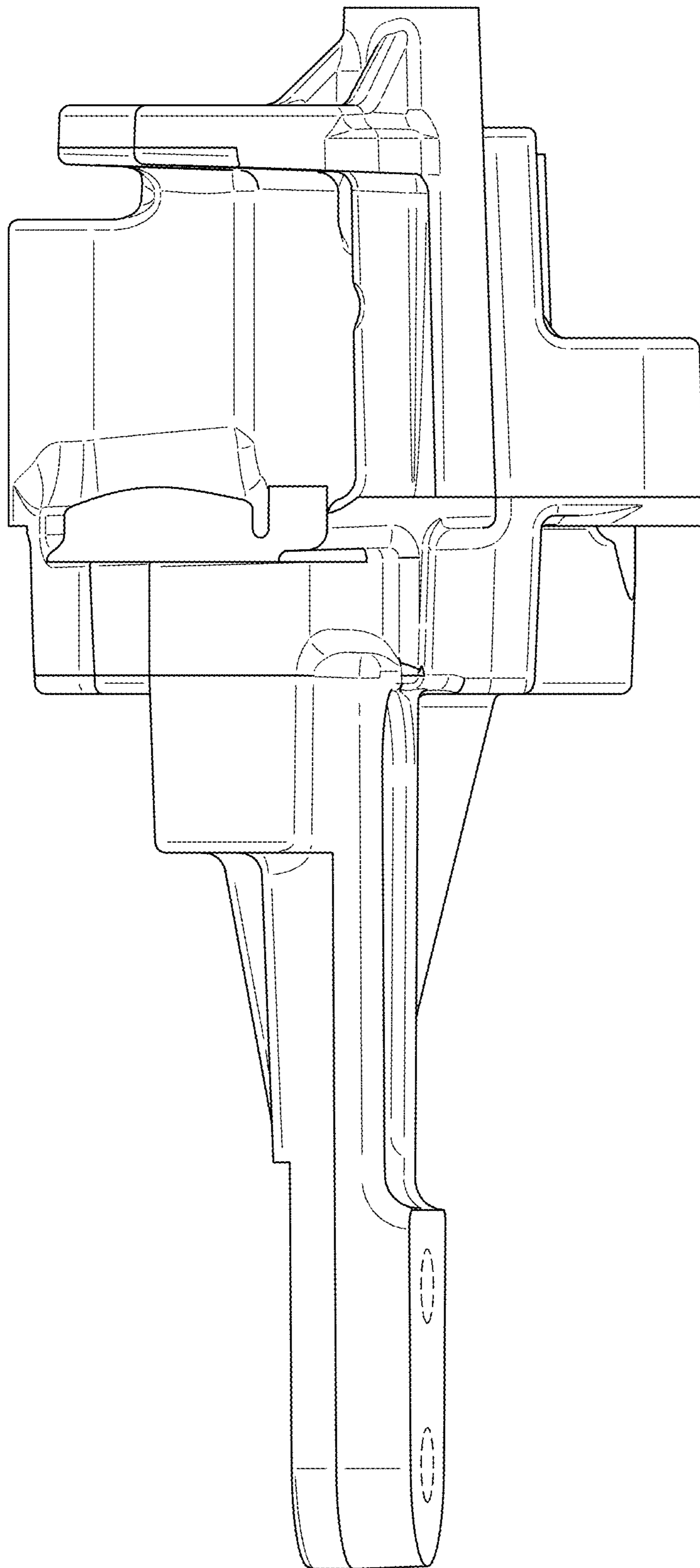


FIG. 11

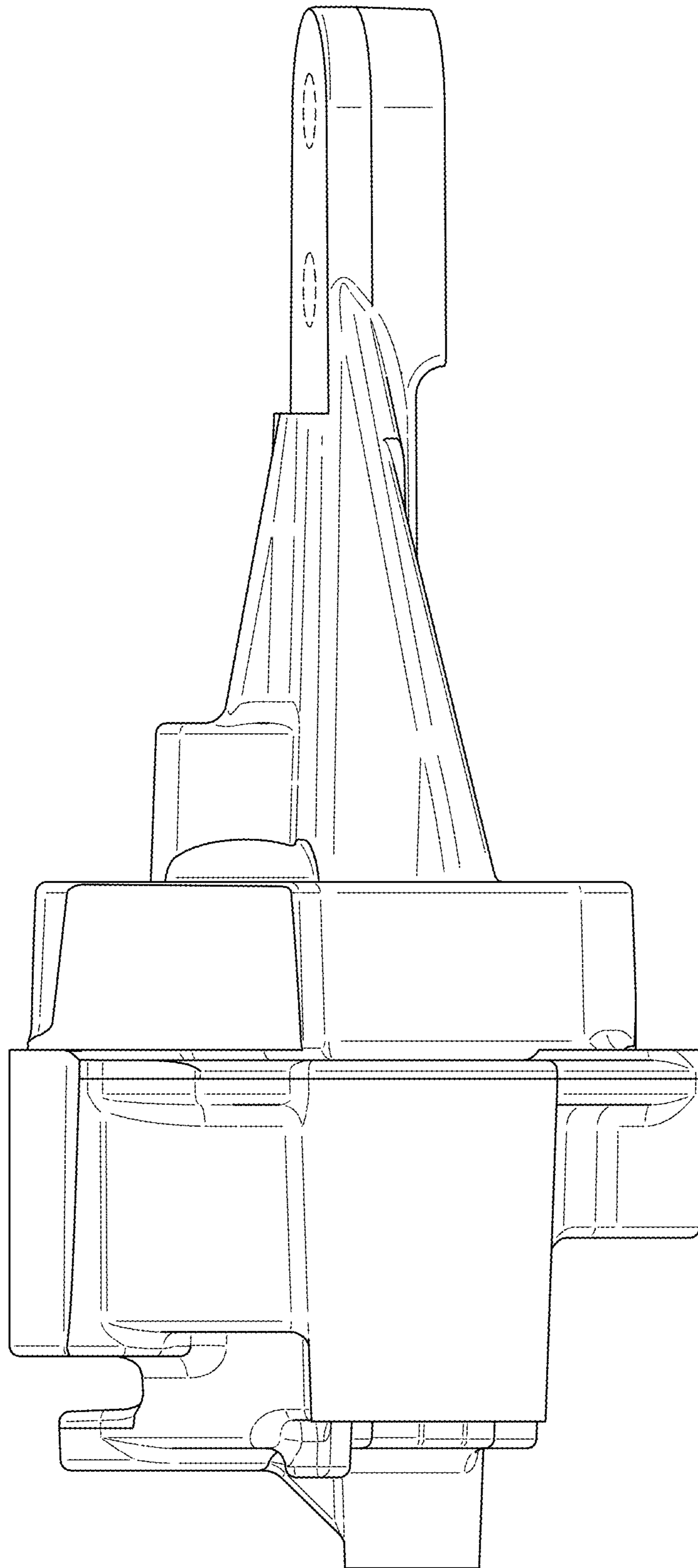


FIG. 12

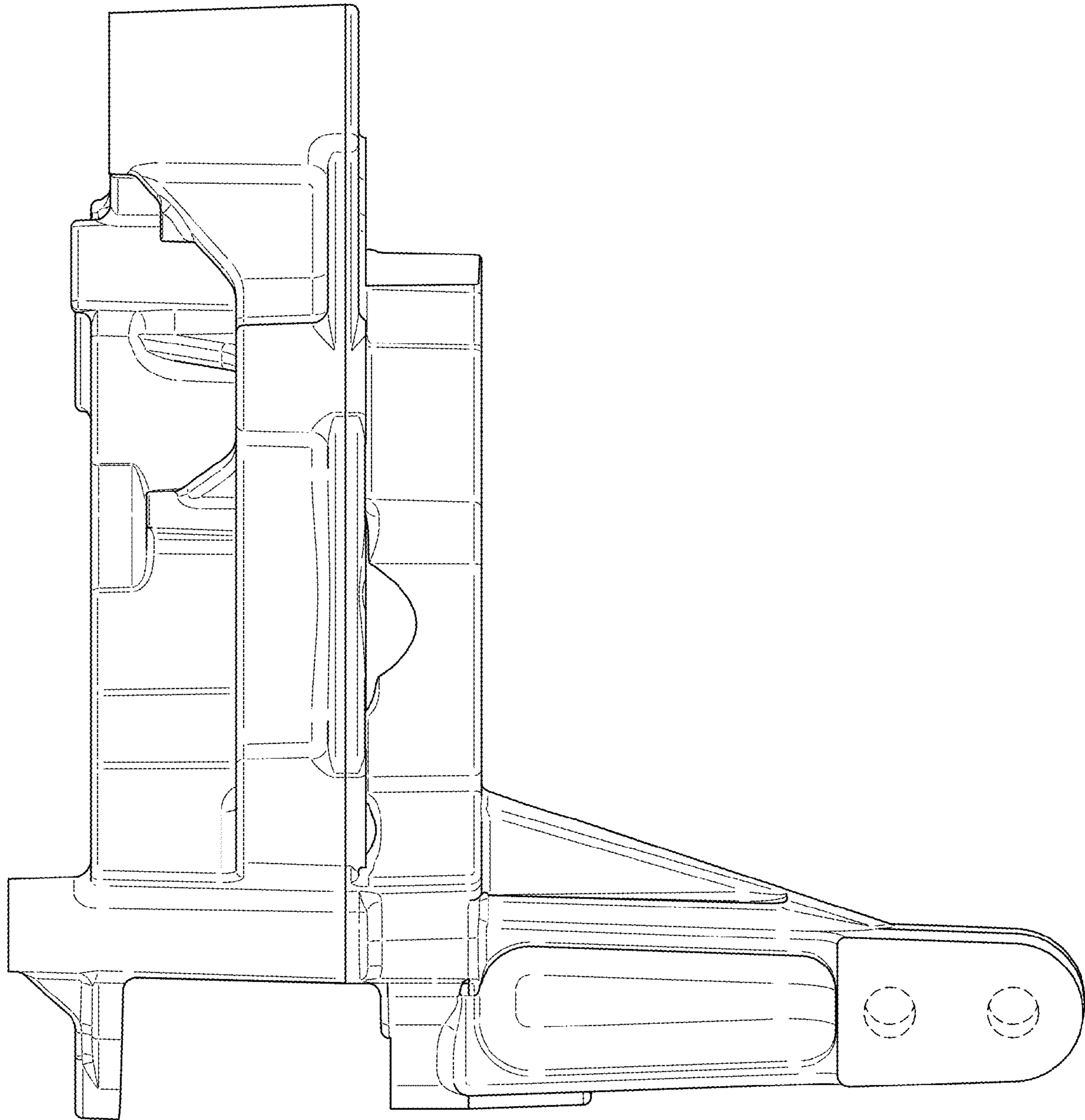


FIG. 13

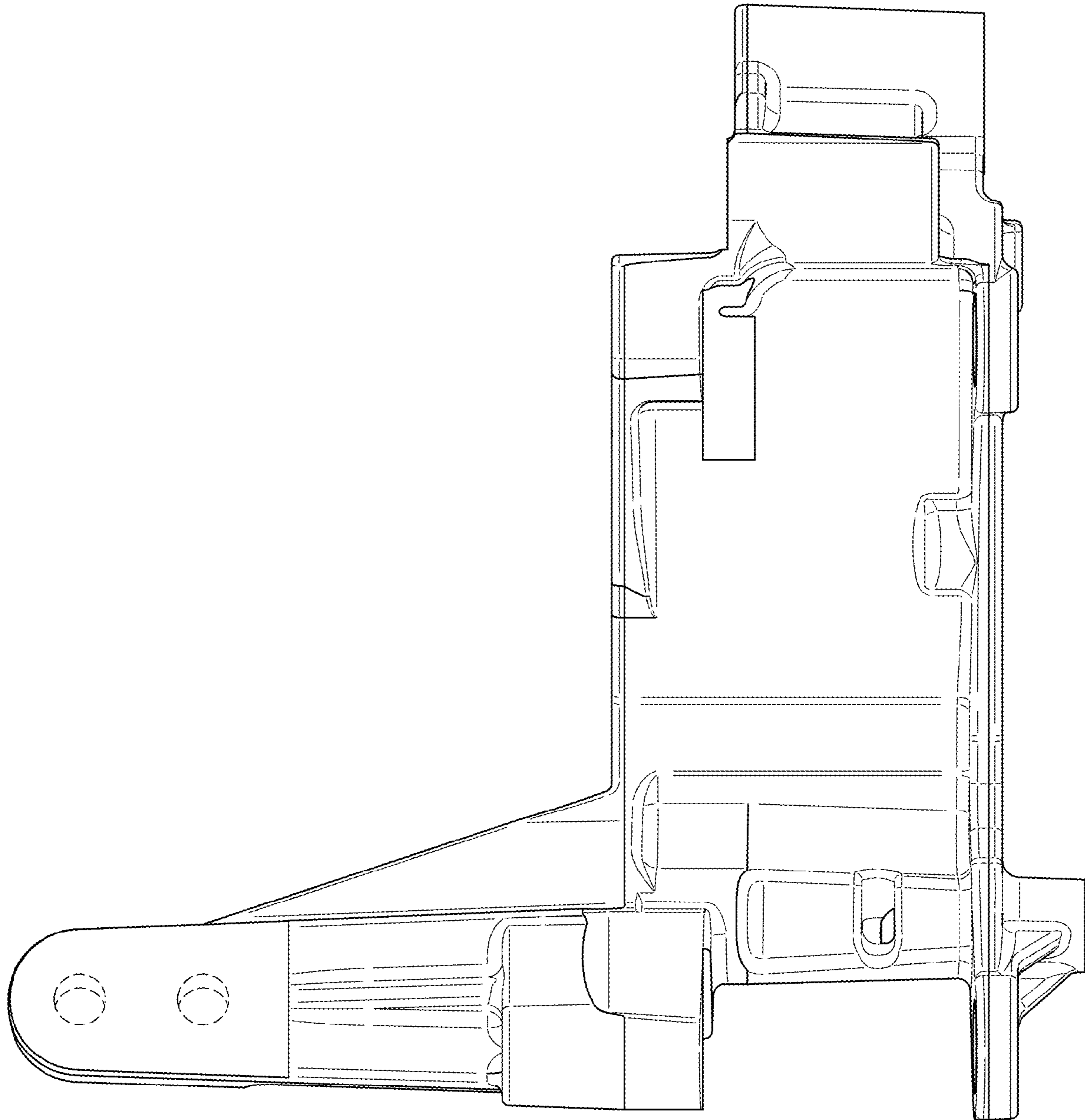


FIG. 14

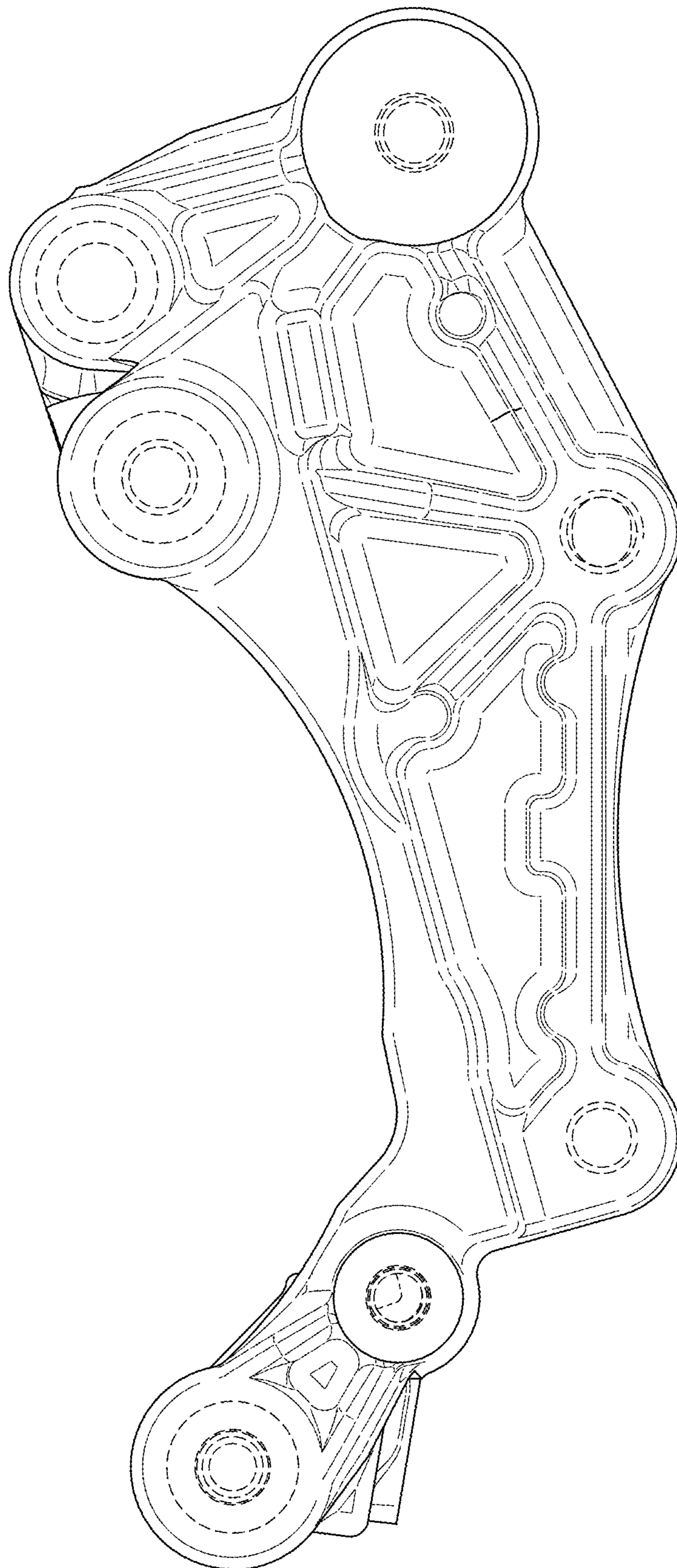


FIG. 15

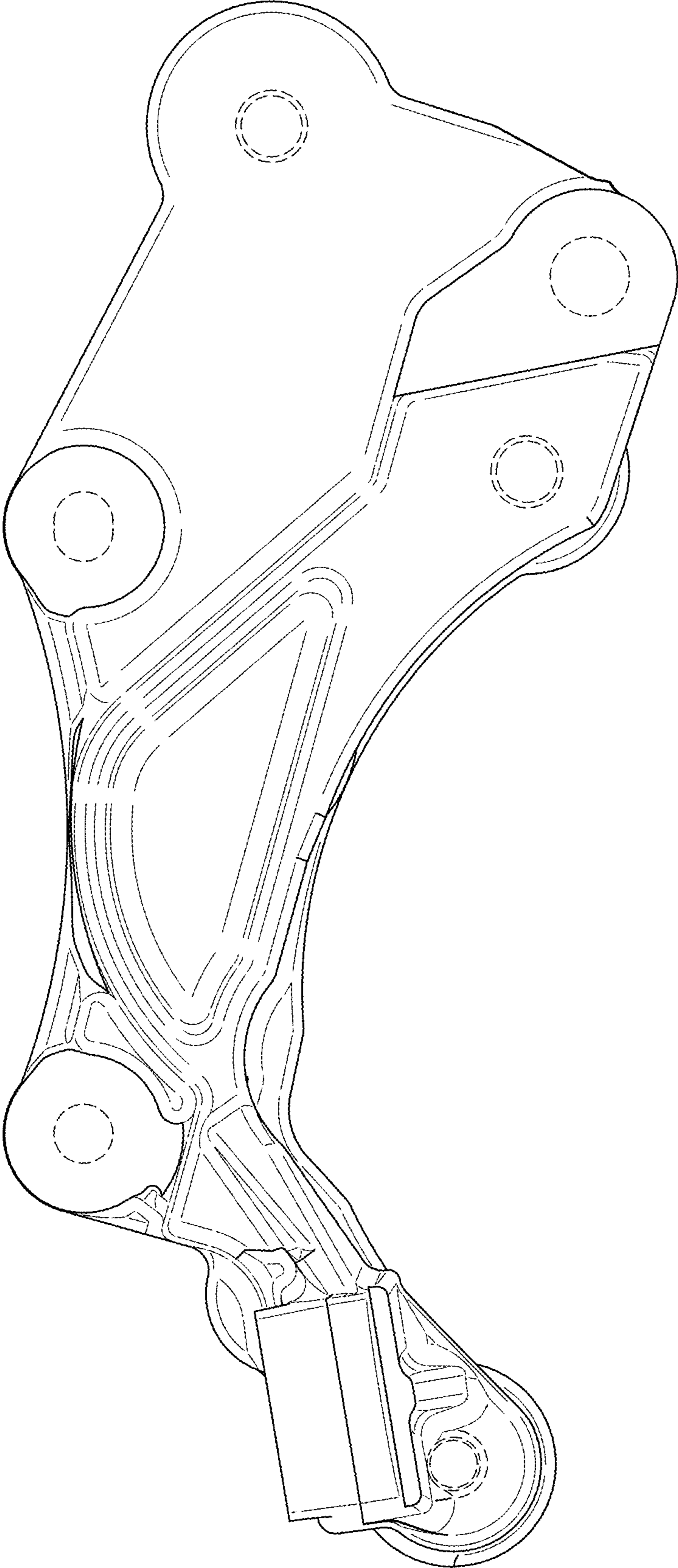


FIG. 16