



US00D889511S

(12) **United States Design Patent**
O'Hare

(10) **Patent No.:** **US D889,511 S**

(45) **Date of Patent:** **** Jul. 7, 2020**

- (54) **SWIVEL CLIP AIR CONNECTOR**
- (71) Applicant: **Curtis O'Hare**, Cabot, AR (US)
- (72) Inventor: **Curtis O'Hare**, Cabot, AR (US)
- (**) Term: **15 Years**
- (21) Appl. No.: **29/653,895**
- (22) Filed: **Jun. 19, 2018**
- (51) **LOC (12) Cl.** **15-01**
- (52) **U.S. Cl.**
USPC **D15/5**
- (58) **Field of Classification Search**
USPC D8/394-396; D34/10; D32/60-64;
D28/40; D19/56, 65
CPC H02G 3/26; A45D 6/045; D06F 55/00;
D06F 55/02
See application file for complete search history.

- 4,876,771 A * 10/1989 Givati D06F 55/00
24/298
- D308,936 S * 7/1990 Amer D8/395
- D315,992 S * 4/1991 Tremblay D32/64
- 5,539,959 A * 7/1996 Schick F16G 3/04
24/33 B
- D477,029 S * 7/2003 Korowitz D19/65
- D492,727 S * 7/2004 Nuttall D19/65
- D510,019 S * 9/2005 Davis D34/10
- D531,891 S * 11/2006 Nawrocki D8/395
- D566,539 S * 4/2008 Hicks D8/395
- D657,664 S * 4/2012 Boucher-Gagne D8/394
- D658,048 S * 4/2012 Boucher-Gagne D8/394
- D664,838 S * 8/2012 Parks D8/395

(Continued)

OTHER PUBLICATIONS

Sold on trimlok.com, upholstery edge trim for 1/8" edge[online], [site visited May 15, 2020] available from URL :<<https://www.trimlok.com/plastic-extrusion/edge-trim/sewable-upholstery/529b3x18>> (Year: 2020).*

(Continued)

Primary Examiner — Sheryl Lane
Assistant Examiner — Mark T Philipps

(56) **References Cited**

U.S. PATENT DOCUMENTS

- 2,533,083 A * 12/1950 Blackburn D06F 55/00
24/512
- 3,013,654 A * 12/1961 Hoff D06F 55/00
206/343
- 3,135,034 A * 6/1964 Fauteux D06F 55/00
24/506
- 3,204,636 A * 9/1965 Kariher A61B 17/122
606/120
- 3,453,700 A * 7/1969 Teague, Jr. D06F 55/02
24/557
- 3,524,226 A * 8/1970 Brown A47G 25/481
223/85
- 3,733,656 A * 5/1973 Stalder D06F 55/00
24/557
- D259,278 S * 5/1981 McCaw D23/262
- 4,557,024 A * 12/1985 Roberts F16L 33/035
24/20 TT
- 4,773,132 A * 9/1988 Eckels A47G 21/10
24/545

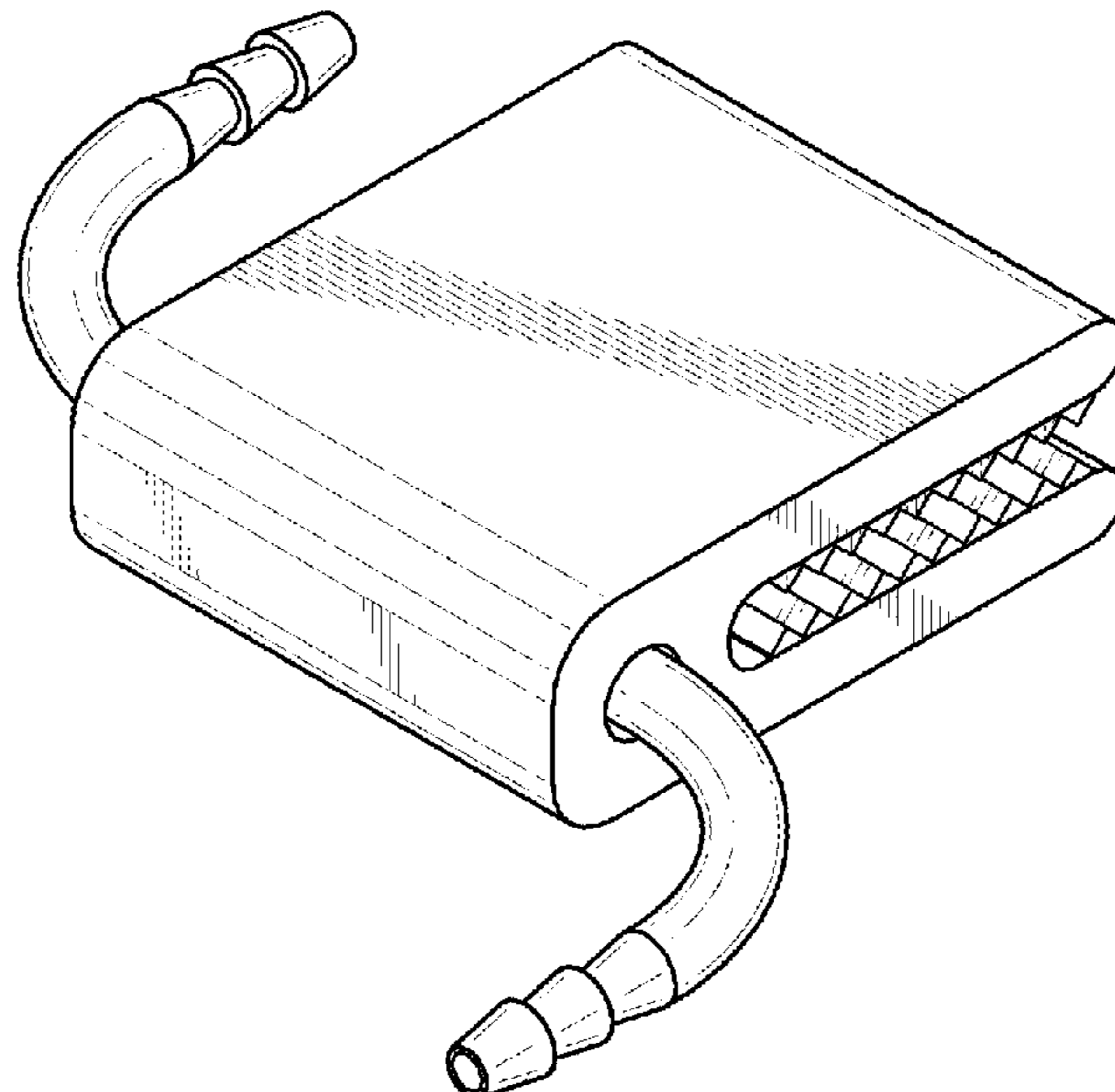
(57) **CLAIM**

The ornamental design of a swivel clip air connector, as shown and described.

DESCRIPTION

FIG. 1 is a perspective view of the invention.
FIG. 2 is a rear elevational view of the invention.
FIG. 3 is a left side elevational view of the invention.
FIG. 4 is a top plan view of the invention. The bottom view is a mirror image thereof
FIG. 5 is a right side elevational view of the invention; and, FIG. 6 is a front elevational view of the invention.

1 Claim, 3 Drawing Sheets



(56)

References Cited

U.S. PATENT DOCUMENTS

D665,860	S *	8/2012	Lovegrove	D21/694
D686,910	S *	7/2013	Towell, Jr.	D8/395
D697,786	S *	1/2014	McMahon	D6/310
D767,372	S *	9/2016	Itou	H02G 3/26
					D8/356
D770,267	S *	11/2016	Roan	D8/395
D790,234	S *	6/2017	Wirth	D6/328
D834,933	S *	12/2018	Pi	D8/395
2002/0020045	A1 *	2/2002	Nasu	A45F 5/02
					24/546
2013/0291352	A1 *	11/2013	Earley, III	D06F 55/00
					24/545
2017/0189587	A1 *	7/2017	Lee	A61M 1/008
2017/0302219	A1 *	10/2017	Rothschild	H02S 20/20
2017/0303614	A1 *	10/2017	McMahon	D06F 55/00
2018/0245611	A1 *	8/2018	Yamada	F16B 2/22

OTHER PUBLICATIONS

Sold by edge pro inc., Guide Clips [online], [site visited May 15, 2020] available from URL:<<https://www.edgeproinc.com/guide-clips-p44.html>> (Year: 2020).*

* cited by examiner

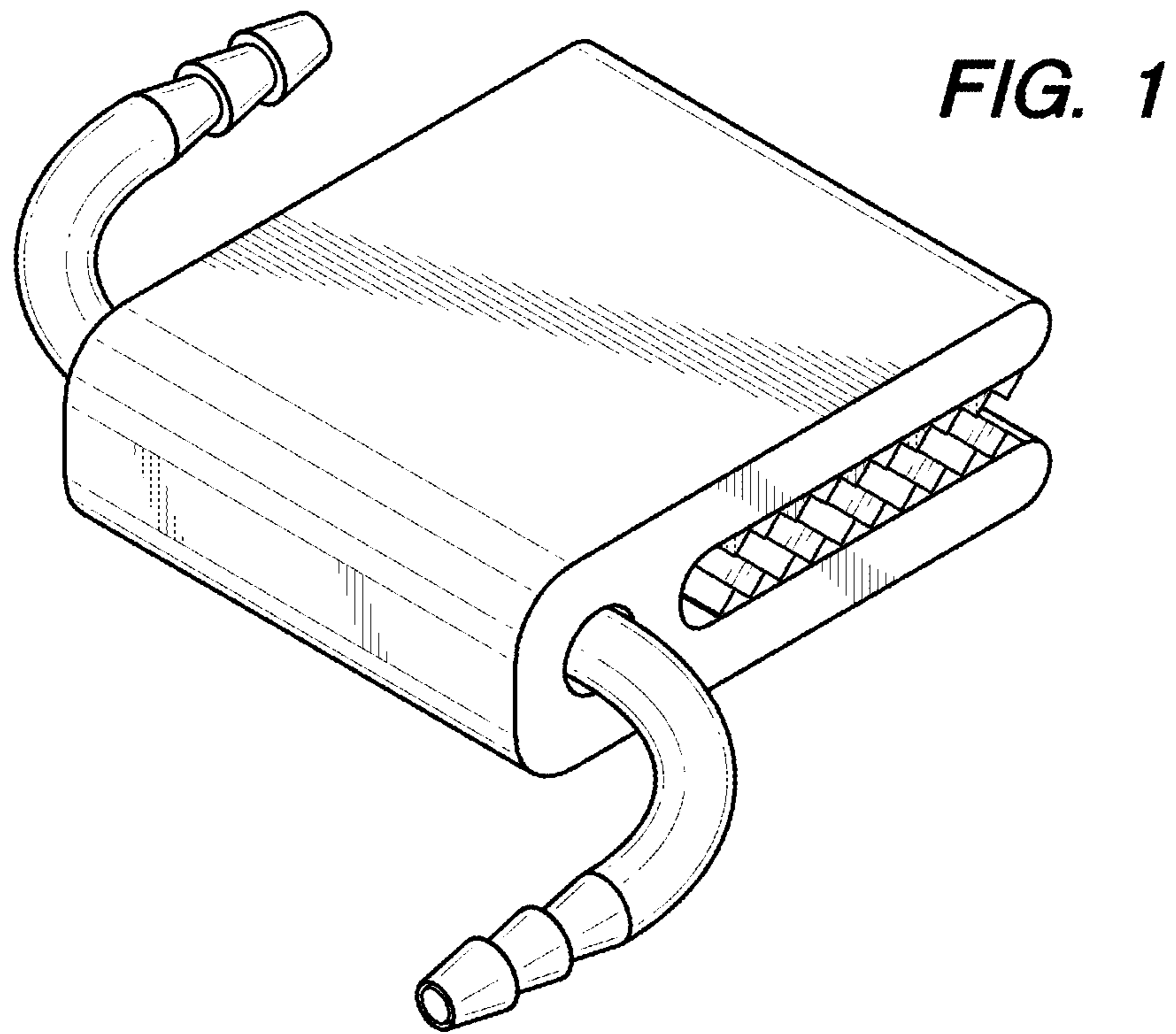


FIG. 2

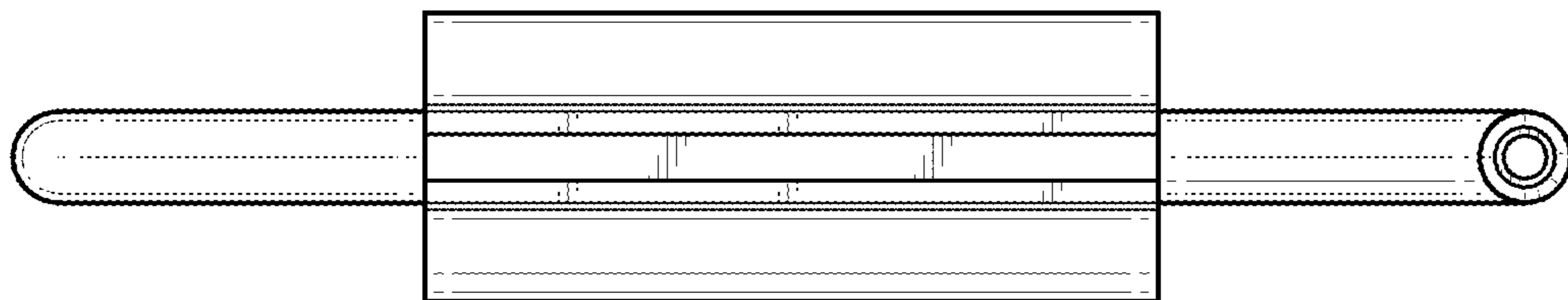


FIG. 3

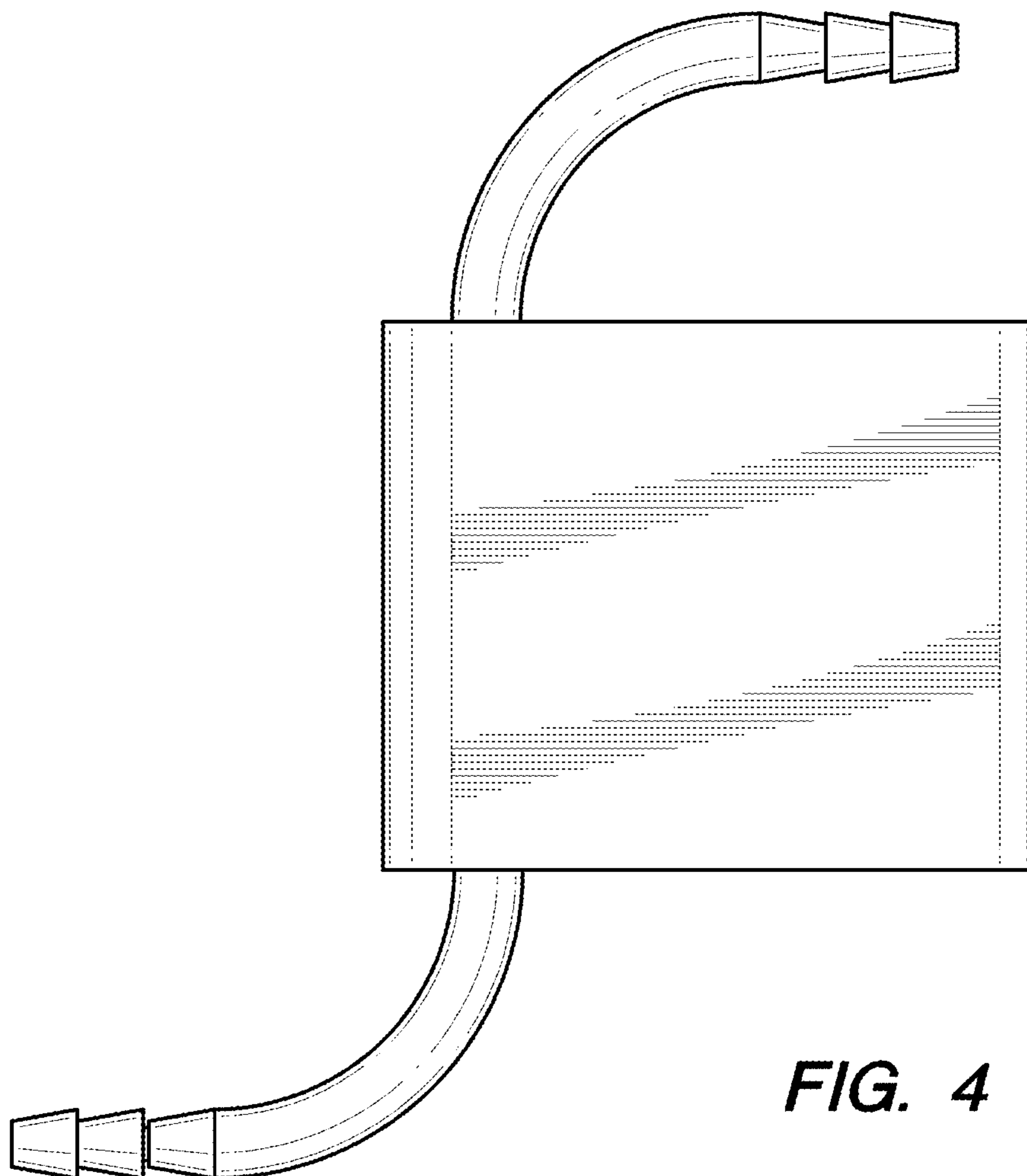
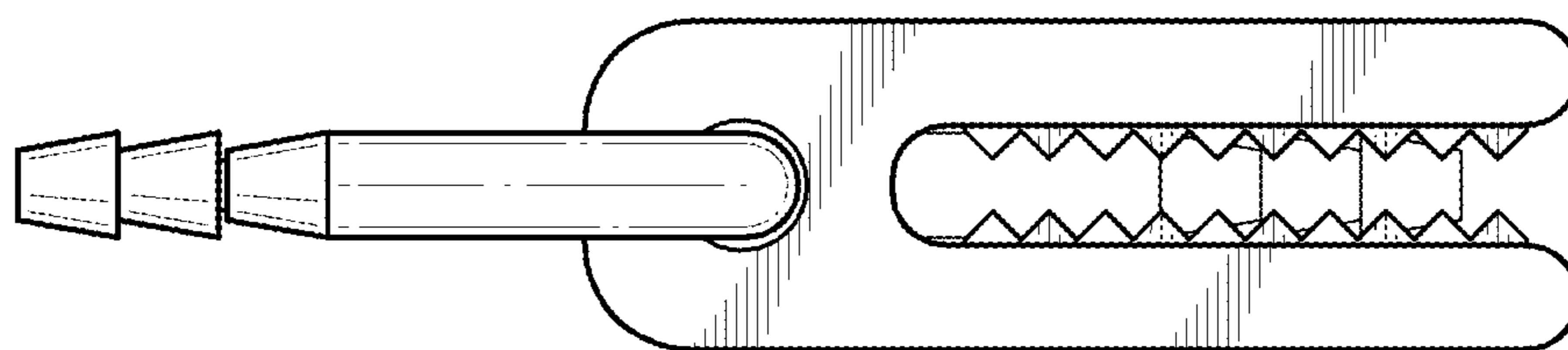


FIG. 4

FIG. 5

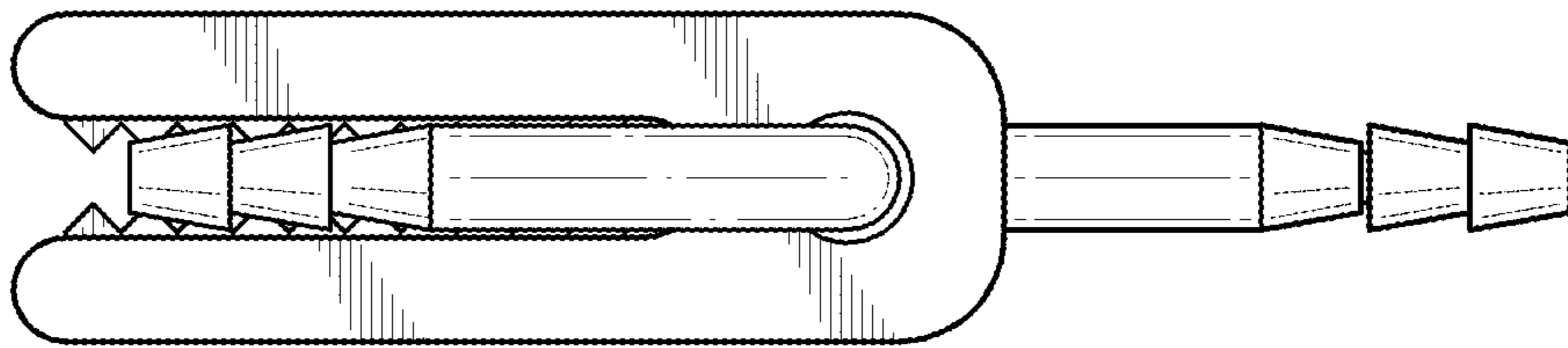


FIG. 6

