



US00D889473S

(12) **United States Design Patent**
Hughes, II

(10) **Patent No.:** **US D889,473 S**

(45) **Date of Patent:** **** Jul. 7, 2020**

(54) **EMF PROTECTION DEVICE**

(71) Applicant: **Jack D. Hughes, II**, Fort Bragg, CA
(US)

(72) Inventor: **Jack D. Hughes, II**, Fort Bragg, CA
(US)

(**) Term: **15 Years**

(21) Appl. No.: **29/657,215**

(22) Filed: **Jul. 19, 2018**

(51) **LOC (12) Cl.** **14-02**

(52) **U.S. Cl.**
USPC **D14/439**

(58) **Field of Classification Search**
USPC D14/217, 230-238, 250, 253, 299, 343,
D14/432, 433, 435, 436, 437, 439, 440;
D13/101, 103, 110, 118, 133, 182, 184,
D13/199; D19/9, 10, 11, 12; D20/11
CPC ... G06F 1/20; G06F 1/1607; G06K 19/07749;
G05D 1/0234; H05K 11/00; H01R 31/00;
H01R 31/065; H01R 31/06; H01Q 7/00;
H01Q 13/10; H01Q 9/285; H01Q 19/12;
H01Q 19/30
See application file for complete search history.

(56) **References Cited**

U.S. PATENT DOCUMENTS

4,139,883 A * 2/1979 Ilzig F16C 11/04
248/278.1
5,901,930 A * 5/1999 Harrel F16L 3/01
224/222

D466,546 S * 12/2002 Warden D17/20
D717,671 S * 11/2014 Maduro D10/47
D745,504 S * 12/2015 Schmidt D14/250
D746,272 S * 12/2015 Schmidt D14/250
2014/0045561 A1* 2/2014 Liu H04M 1/0202
455/575.8

* cited by examiner

Primary Examiner — Derrick E Holland

(74) *Attorney, Agent, or Firm* — Steven A. Nielsen;
www.NielsenPatents.com

(57) **CLAIM**

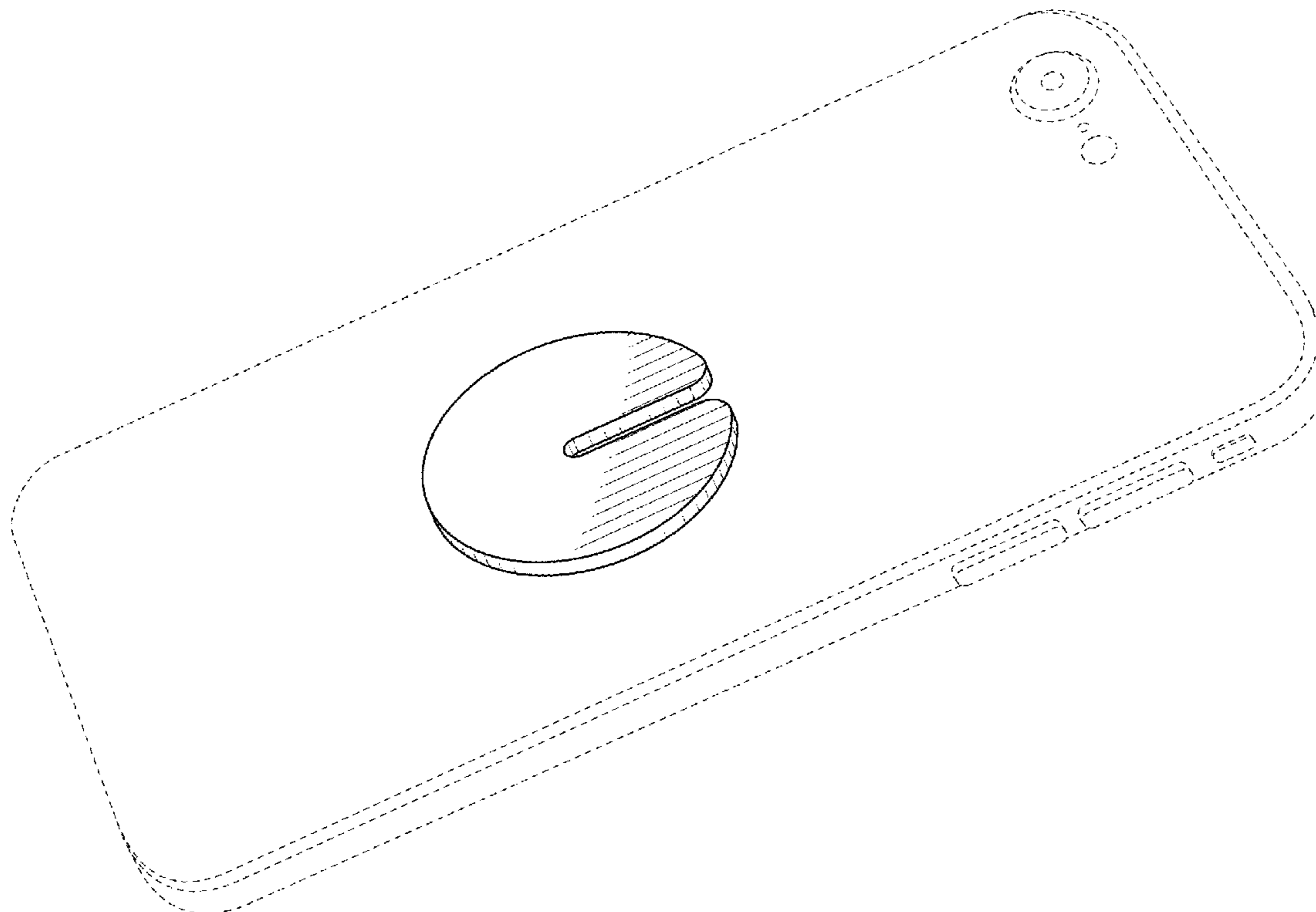
The ornamental design for an EMF protection device, as shown and described.

DESCRIPTION

FIG. 1 is a top and side perspective view of a EMF protection device showing a new design;
FIG. 2 is a bottom and side perspective view thereof;
FIG. 3 is a front view thereof;
FIG. 4 is a back view thereof;
FIG. 5 is a right side view thereof;
FIG. 6 is a left side view thereof;
FIG. 7 is a top view thereof; and,
FIG. 8 is a bottom view thereof.

The broken lines shown in FIG. 1 represent environmental subject matter and form no part of the claimed design.

1 Claim, 4 Drawing Sheets



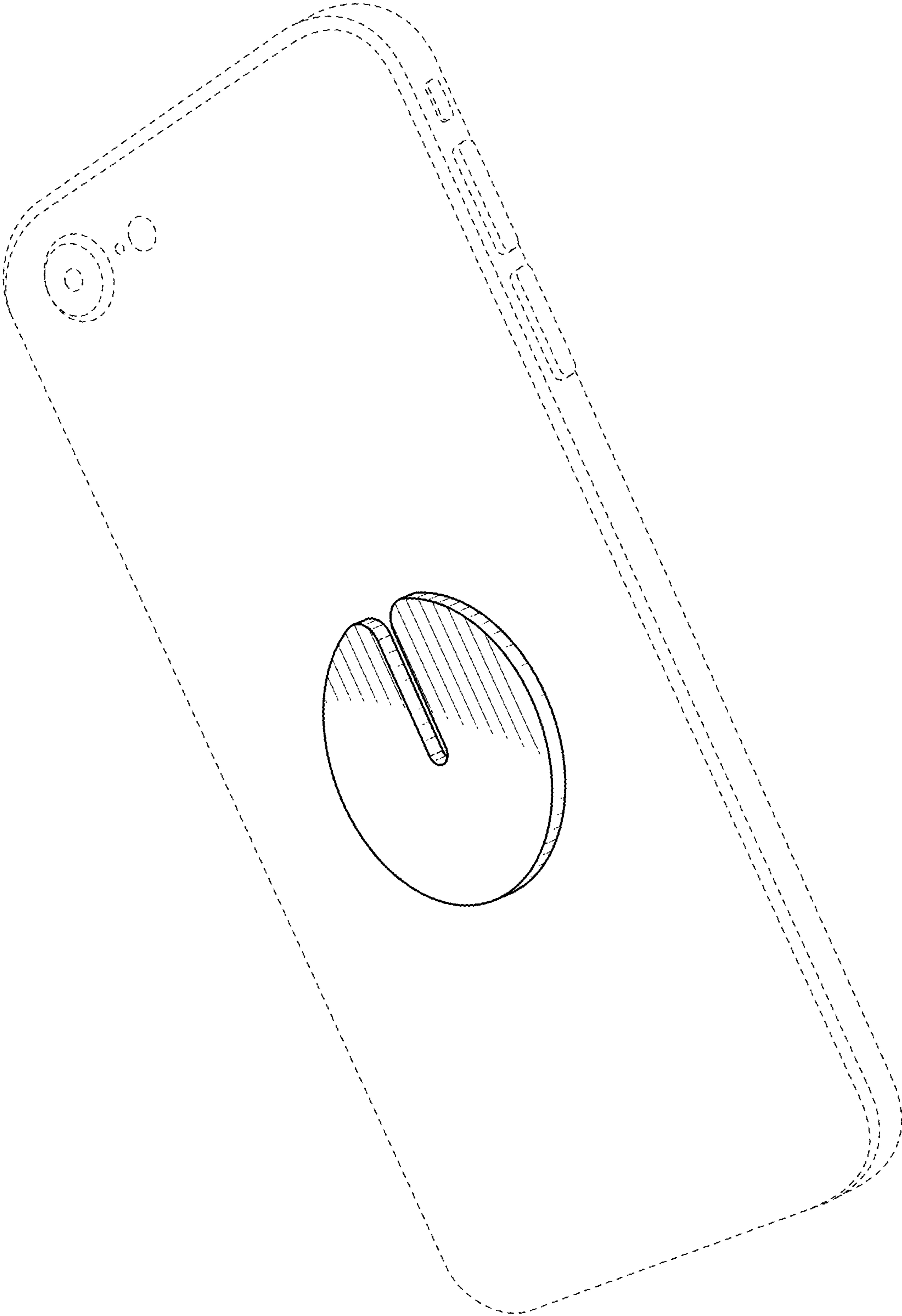


FIG. 1

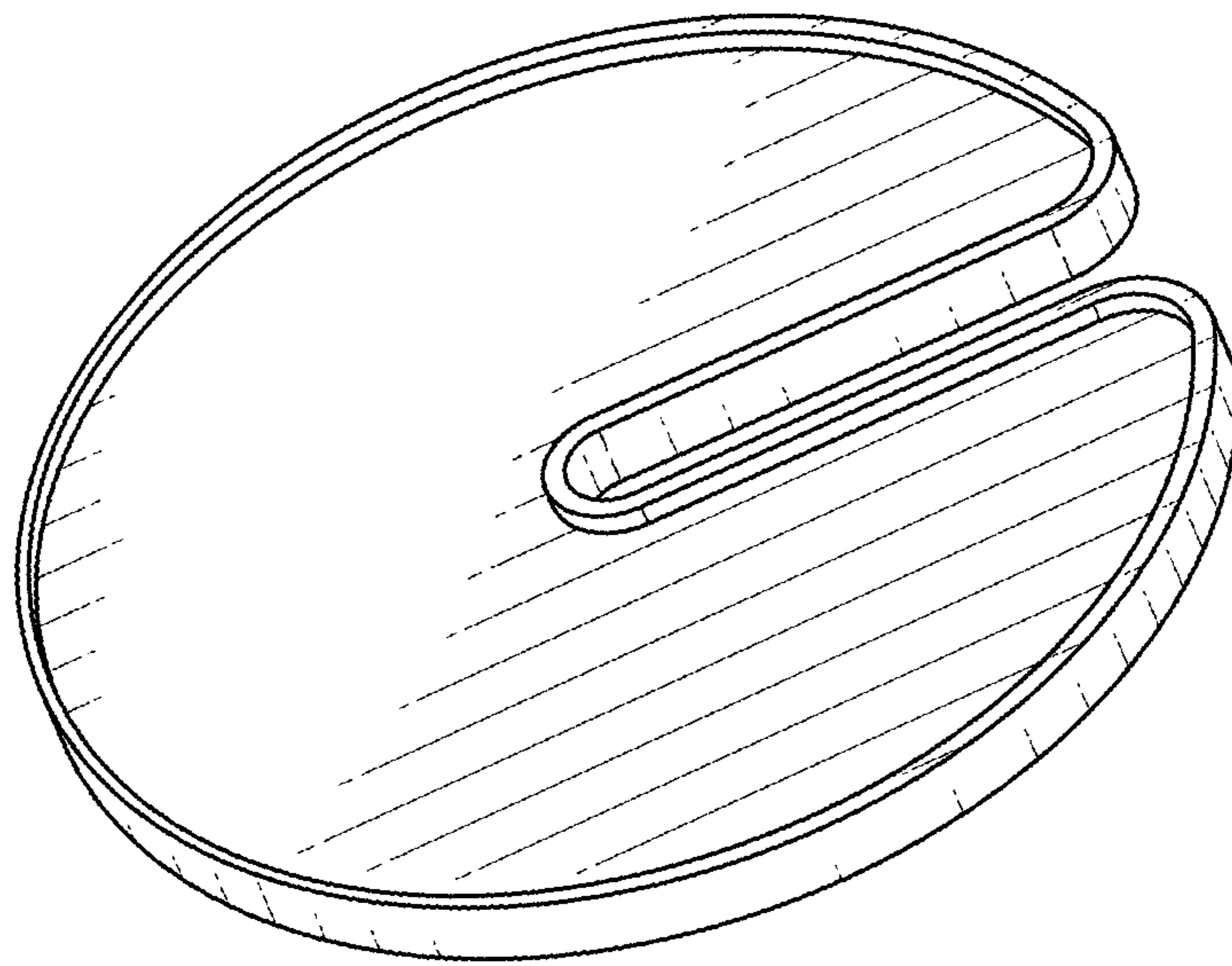


FIG. 2

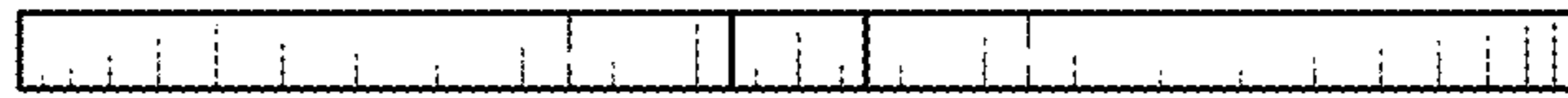


FIG. 3

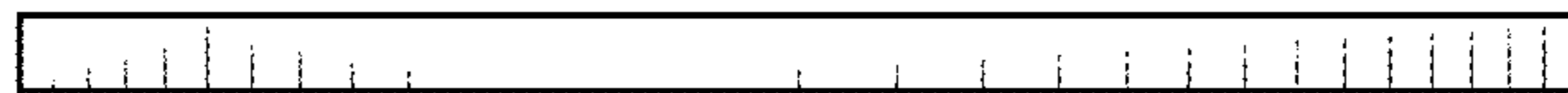


FIG. 4

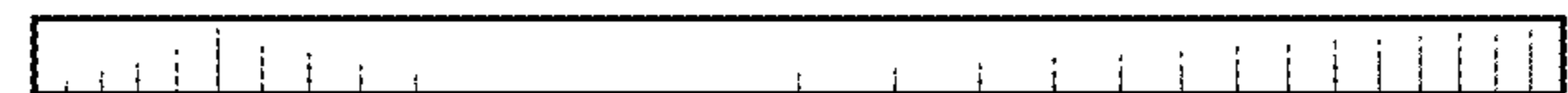


FIG. 5

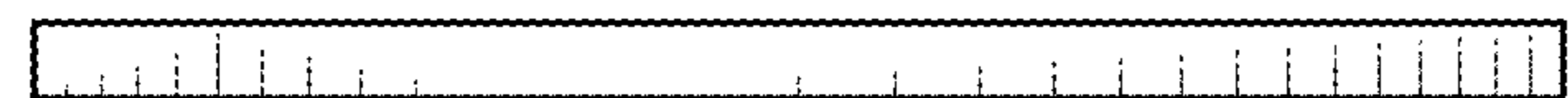


FIG. 6

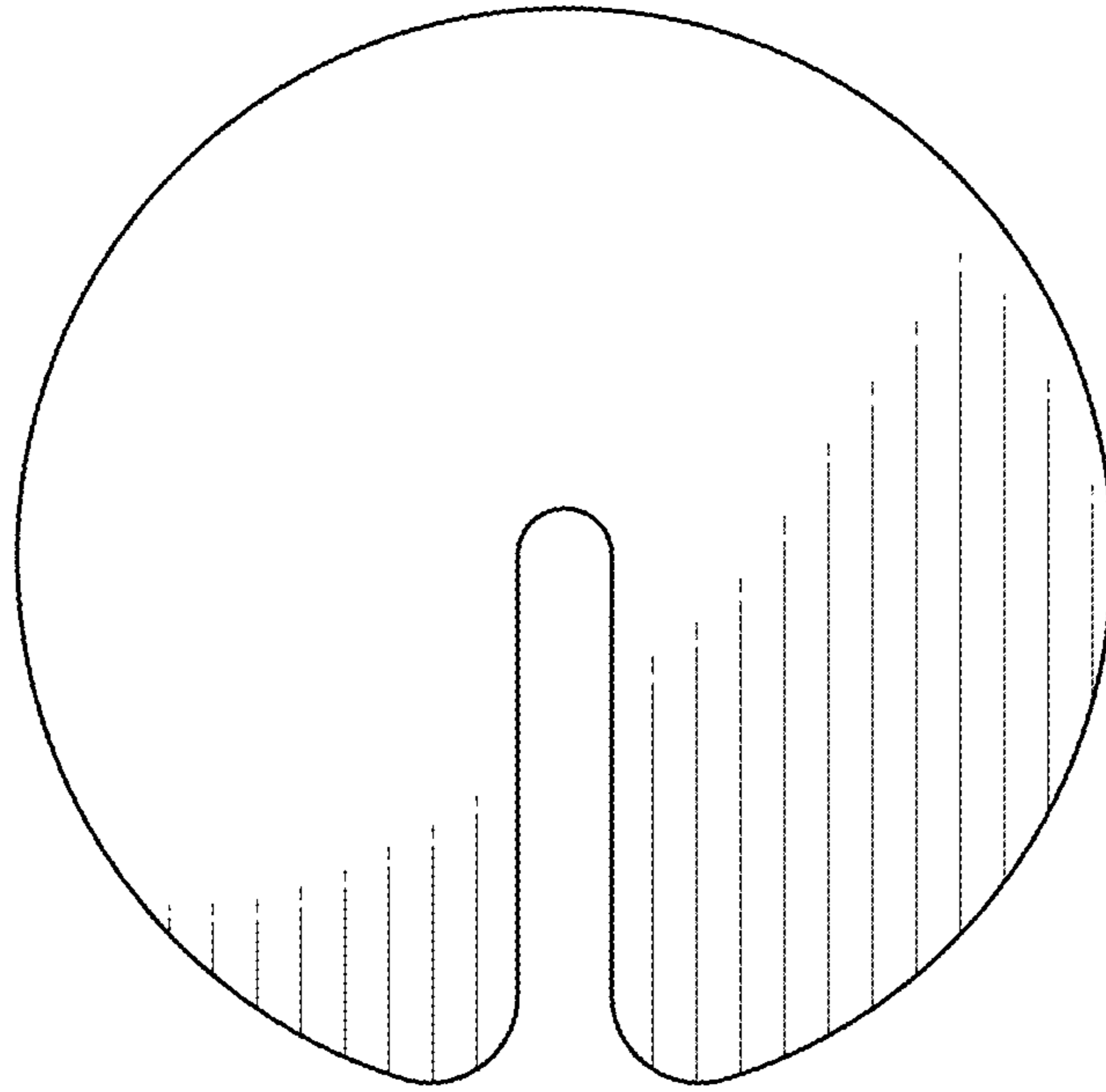


FIG. 7

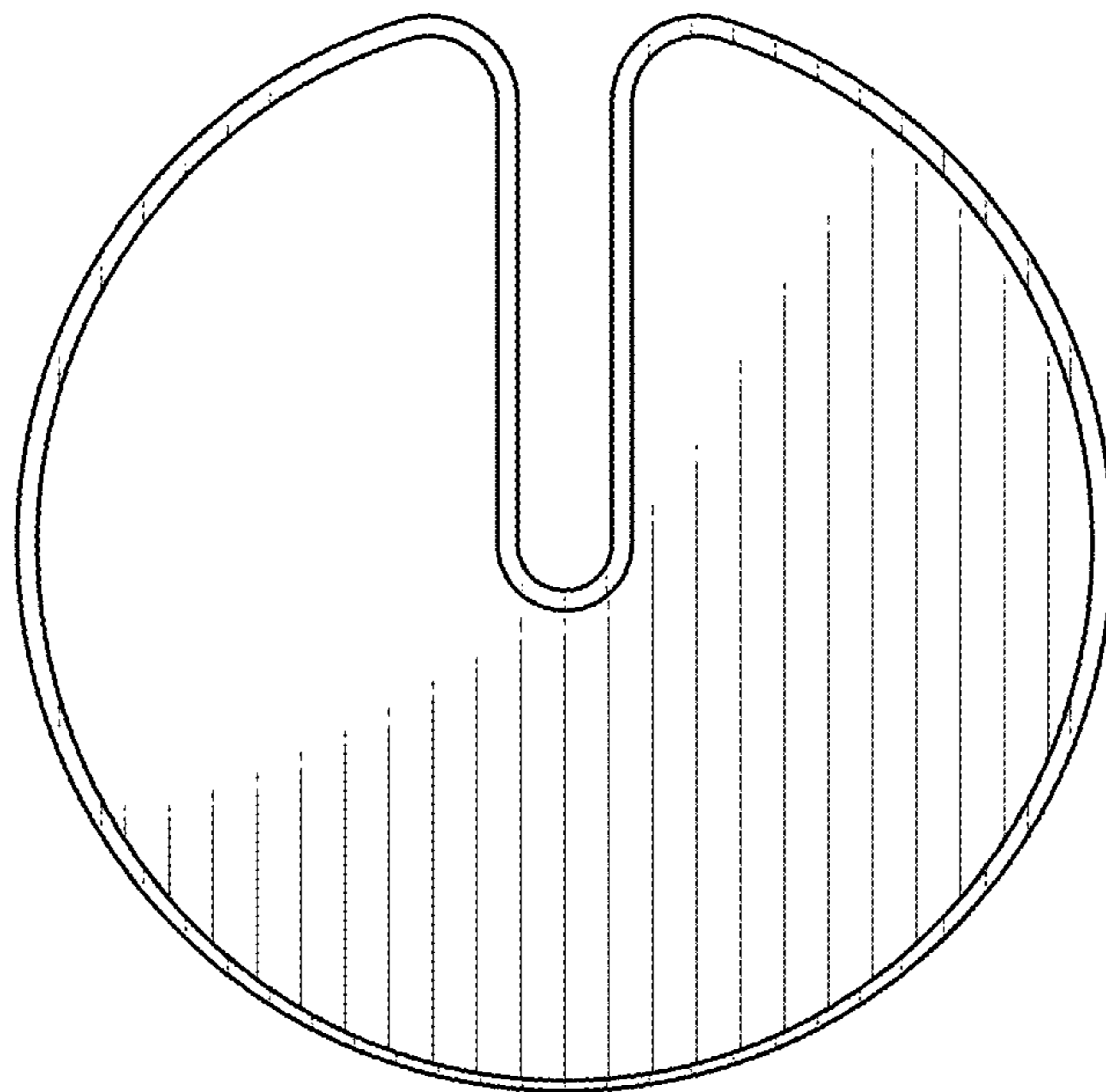


FIG. 8