



US00D889472S

(12) **United States Design Patent** (10) **Patent No.:** **US D889,472 S**
Laine et al. (45) **Date of Patent:** **** Jul. 7, 2020**

(54) **MEDIA CABLE**

(71) Applicant: **Sonos, Inc.**, Santa Barbara, CA (US)

(72) Inventors: **Aki Laine**, Santa Barbara, CA (US);
Philippe Vossel, Wuppertal (DE);
Edward Mitchell, Thousand Oaks, CA (US)

(73) Assignee: **Sonos, Inc.**, Santa Barbara, CA (US)

(**) Term: **15 Years**

(21) Appl. No.: **29/696,158**

(22) Filed: **Jun. 25, 2019**

Related U.S. Application Data

(63) Continuation of application No. 29/619,395, filed on Sep. 28, 2017, now Pat. No. Des. 854,016.

(51) **LOC (12) Cl.** **14-02**

(52) **U.S. Cl.**
USPC **D14/433**

(58) **Field of Classification Search**
USPC D14/356, 432-434, 453, 454, 511, 203.8,
D14/209.1, 238.1, 240, 125; 439/638,
439/928, 105, 502; 710/303, 304;
361/679.41, 679.55, 679.56; D13/110,
D13/133, 146

CPC ... H04L 12/2832; H04L 12/2838; G06F 3/00;
G06F 5/00; G06F 13/14

See application file for complete search history.

(56) **References Cited**

U.S. PATENT DOCUMENTS

D381,629 S * 7/1997 Goto D13/147
D683,703 S 6/2013 Akana et al.
D738,312 S * 9/2015 Bress D13/147
D742,320 S 11/2015 Akana et al.
D746,291 S 12/2015 Solomon et al.
D746,780 S 1/2016 Akana et al.

D750,571 S 3/2016 Auguste et al.
D760,720 S 7/2016 Laffon de Mazieres et al.
D761,262 S 7/2016 Solomon et al.
D779,492 S 2/2017 Lin
D784,340 S 4/2017 Laffon de Mazieres et al.
D793,344 S * 8/2017 Wang D13/153
D795,816 S 8/2017 He et al.

(Continued)

FOREIGN PATENT DOCUMENTS

CN 305036806 S 2/2019
CN 305296585 S 8/2019

(Continued)

OTHER PUBLICATIONS

Japanese Patent Office Publication Material No. HJ2402352900, "Serv Switch Power Adapter with PS/2 Connector—PSMD6-R2", Published on Aug. 6, 2012, 3 pgs.

(Continued)

Primary Examiner — Austin Murphy

(74) *Attorney, Agent, or Firm* — KPPB LLP

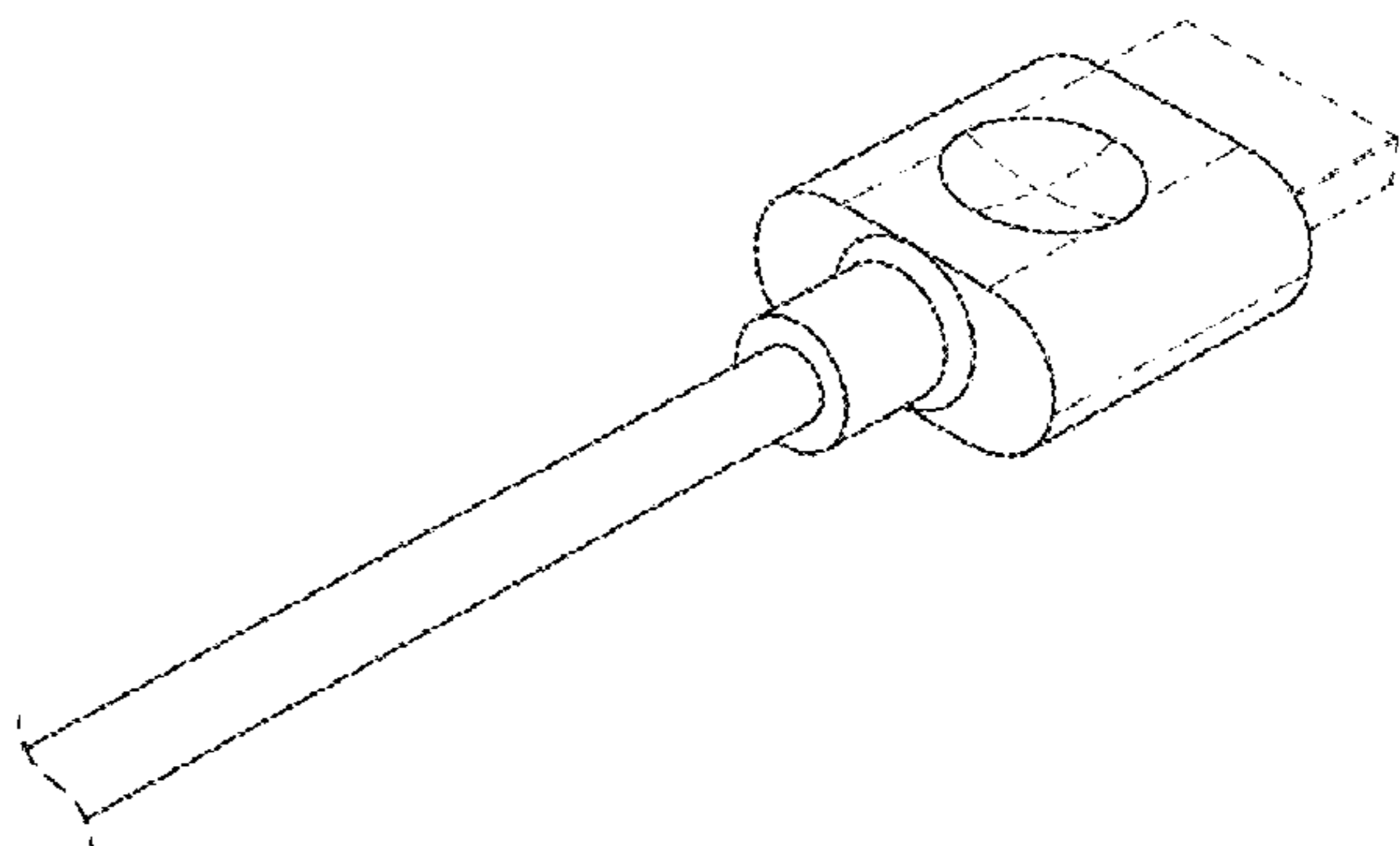
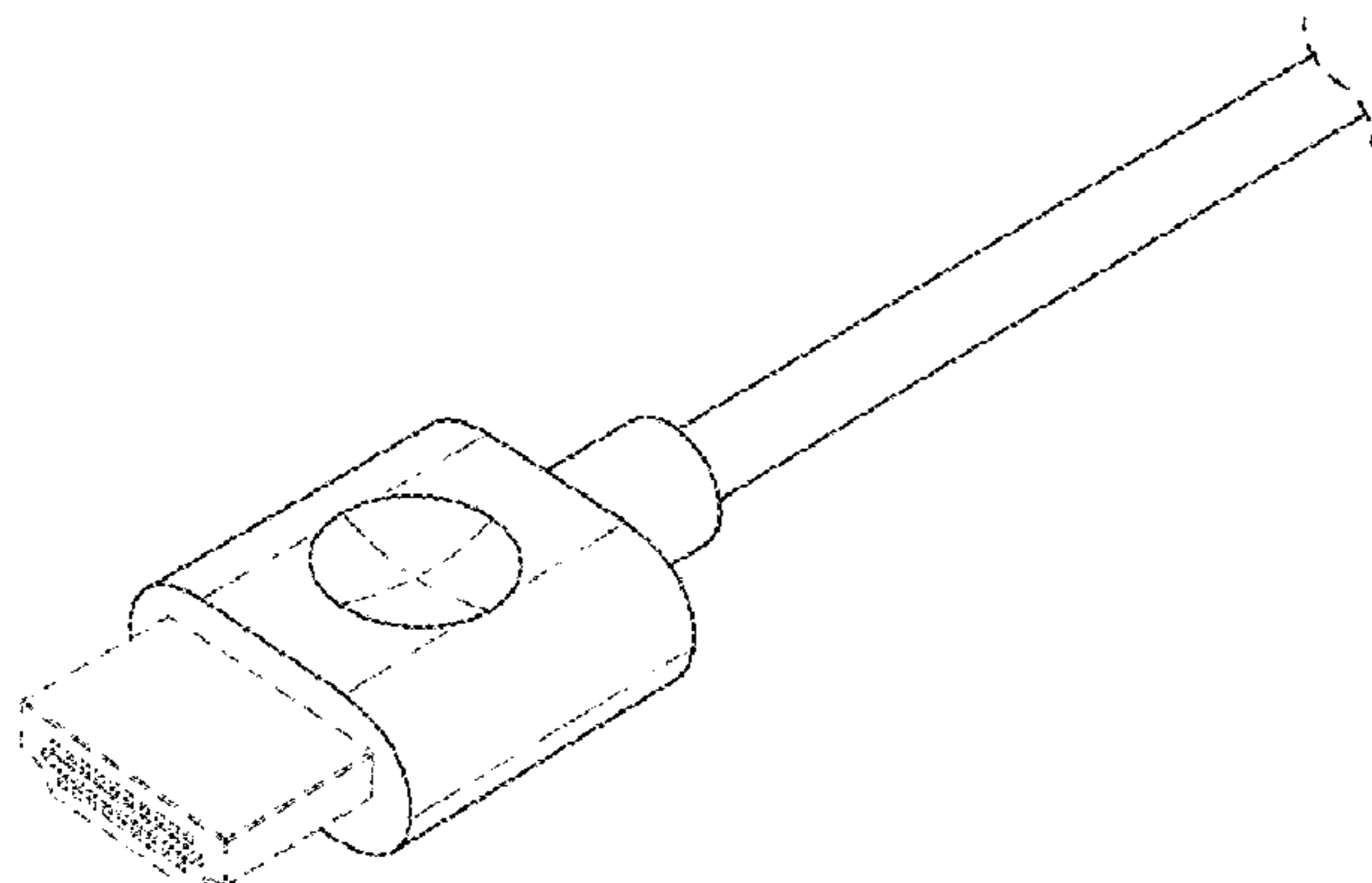
(57) **CLAIM**

The ornamental design for a media cable, as shown and described.

DESCRIPTION

FIG. 1 is a top view of a media cable.
FIG. 2 is bottom view of the media cable.
FIG. 3 is a first side view of the media cable.
FIG. 4 is a second side view of the media cable.
FIG. 5 is a first end view of the media cable.
FIG. 6 is a second end view of the media cable.
FIG. 7 is a perspective view of the media cable; and,
FIG. 8 is a second perspective view of the media cable.
The features shown in broken lines do not form part of the claimed design.

1 Claim, 2 Drawing Sheets



(56)

References Cited

U.S. PATENT DOCUMENTS

D798,825 S * 10/2017 Hahn D13/153
D800,731 S 10/2017 He
D804,291 S 12/2017 Fawcett et al.
D810,748 S 2/2018 Zhang
D810,749 S 2/2018 Zhang
D814,423 S 4/2018 Akana et al.
D814,471 S 4/2018 Kim et al.
D817,889 S * 5/2018 Akana D13/147
D823,261 S 7/2018 Ugglä
D824,388 S 7/2018 Fawcett et al.
D826,173 S 8/2018 Chen
D829,662 S 10/2018 Kusano et al.
D832,263 S 10/2018 Chen
D832,849 S 11/2018 Kim et al.
D843,942 S 3/2019 Kusano et al.
D843,948 S * 3/2019 Akana D13/147
D851,047 S * 6/2019 Zhang D13/153
D851,089 S * 6/2019 Sweet D14/433
D854,016 S * 7/2019 Laine D14/433
D854,017 S * 7/2019 Claudepierre D14/433

D858,456 S * 9/2019 Hanover D13/153
D867,294 S 11/2019 Kusano et al.
2016/0197445 A1* 7/2016 Bryngelsson H01R 13/72
439/501

FOREIGN PATENT DOCUMENTS

EM 004998508 3/2018
JP 1043454 S 4/1999
JP HJ2305561200 12/2011
JP HJ2403968400 10/2012
JP HJ2605553600 12/2014
JP HB2700271000 7/2015
JP 1625964 S 2/2019
JP 1641307 S 8/2019

OTHER PUBLICATIONS

Japanese Patent Office Publication Material No. HH2444005300,
“The design of connector”, Published on Dec. 10, 2012, 6 pgs.
Japanese Patent Office Publication Material No. HD2200299000,
“The design of connector”, Published on Jul. 23, 2010, 3 pgs.

* cited by examiner

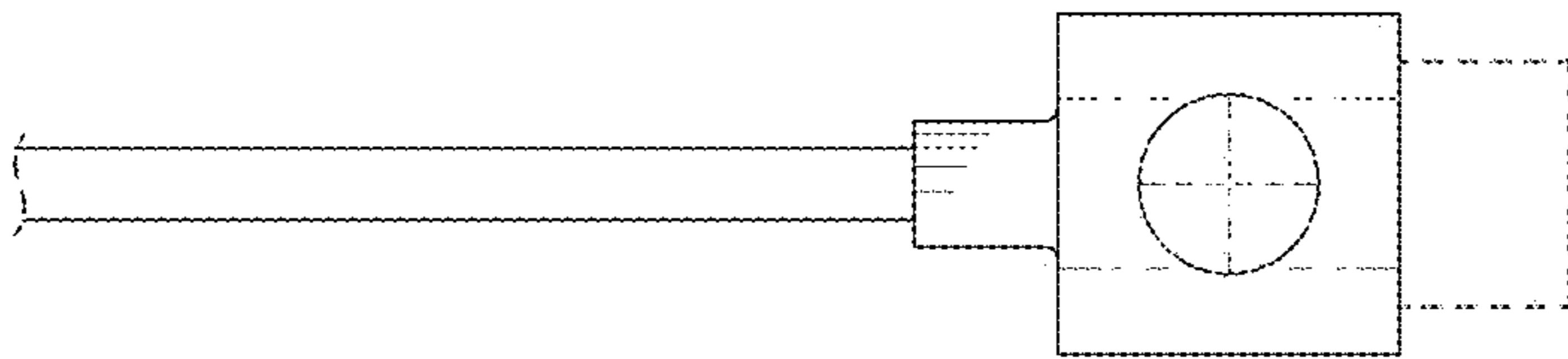


FIG. 1

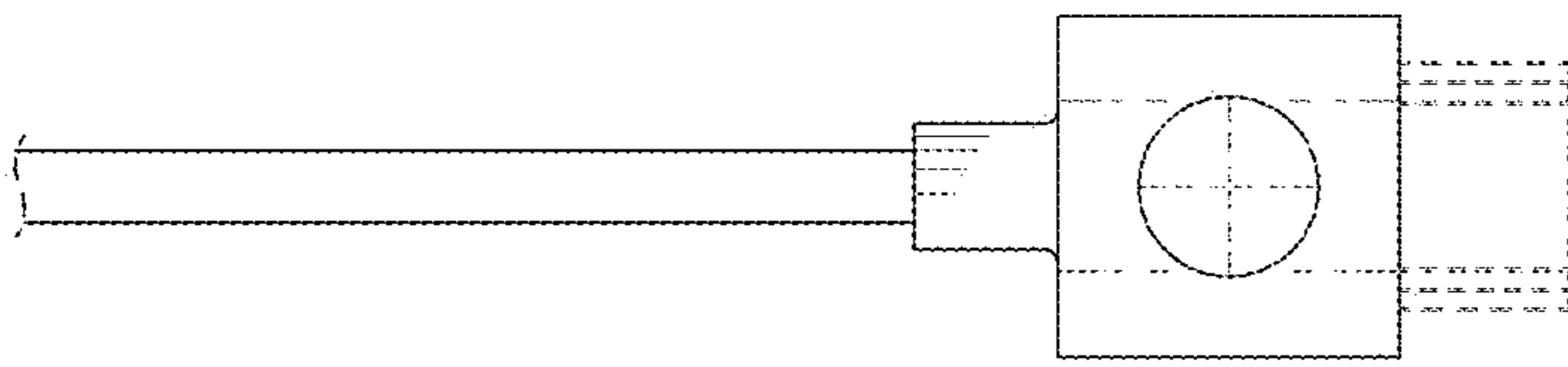


FIG. 2



FIG. 3

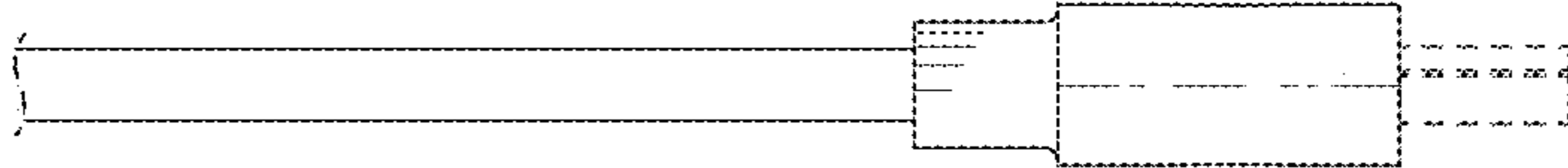


FIG. 4



FIG. 5

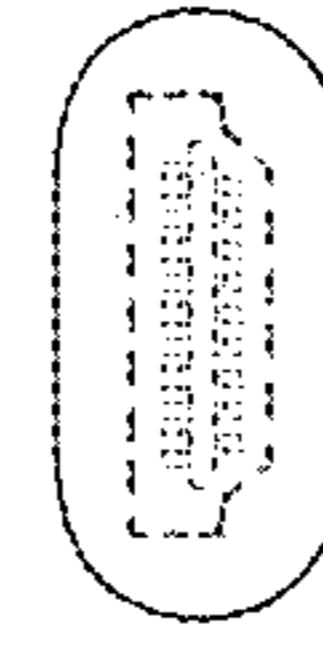


FIG. 6

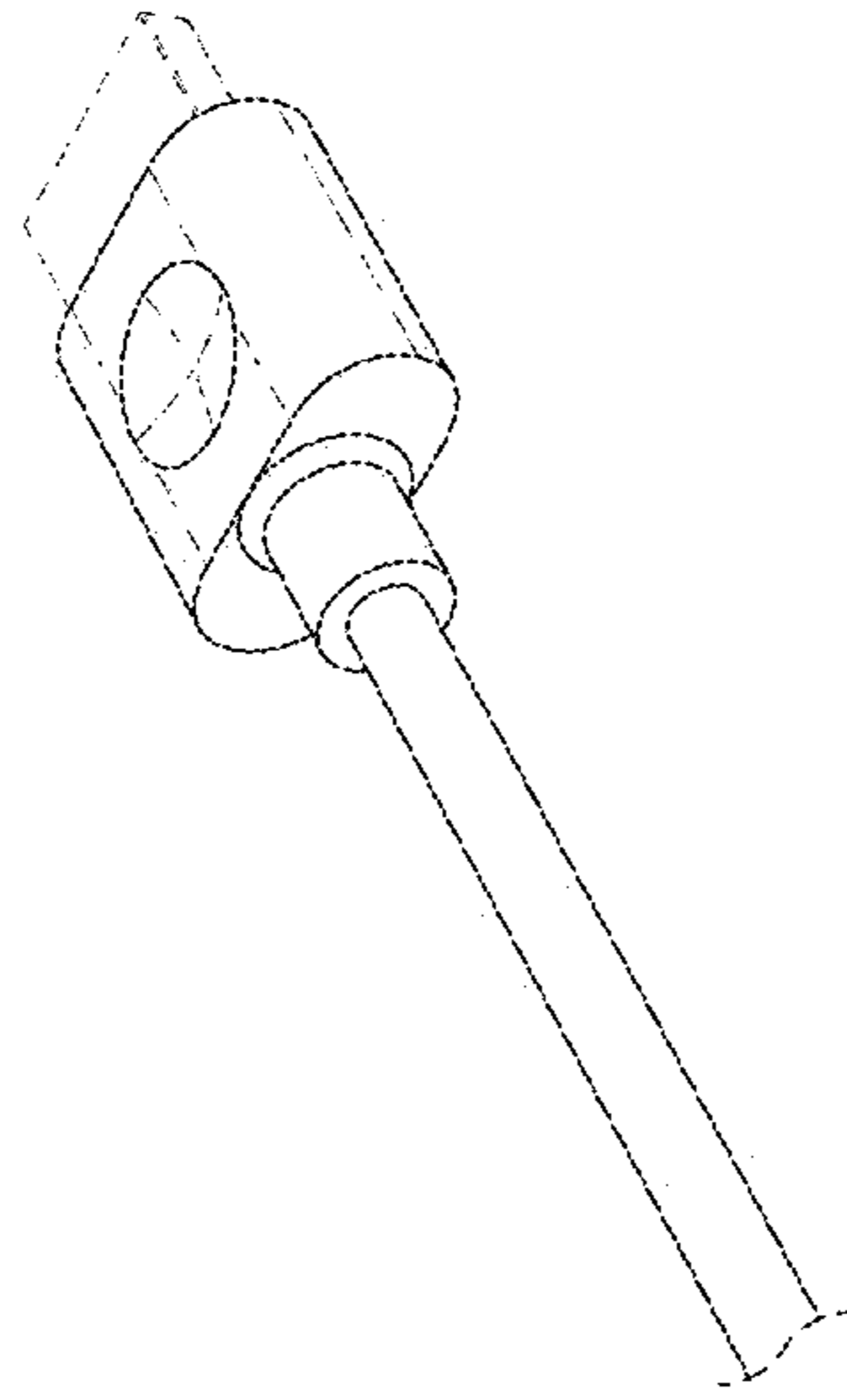


FIG. 8

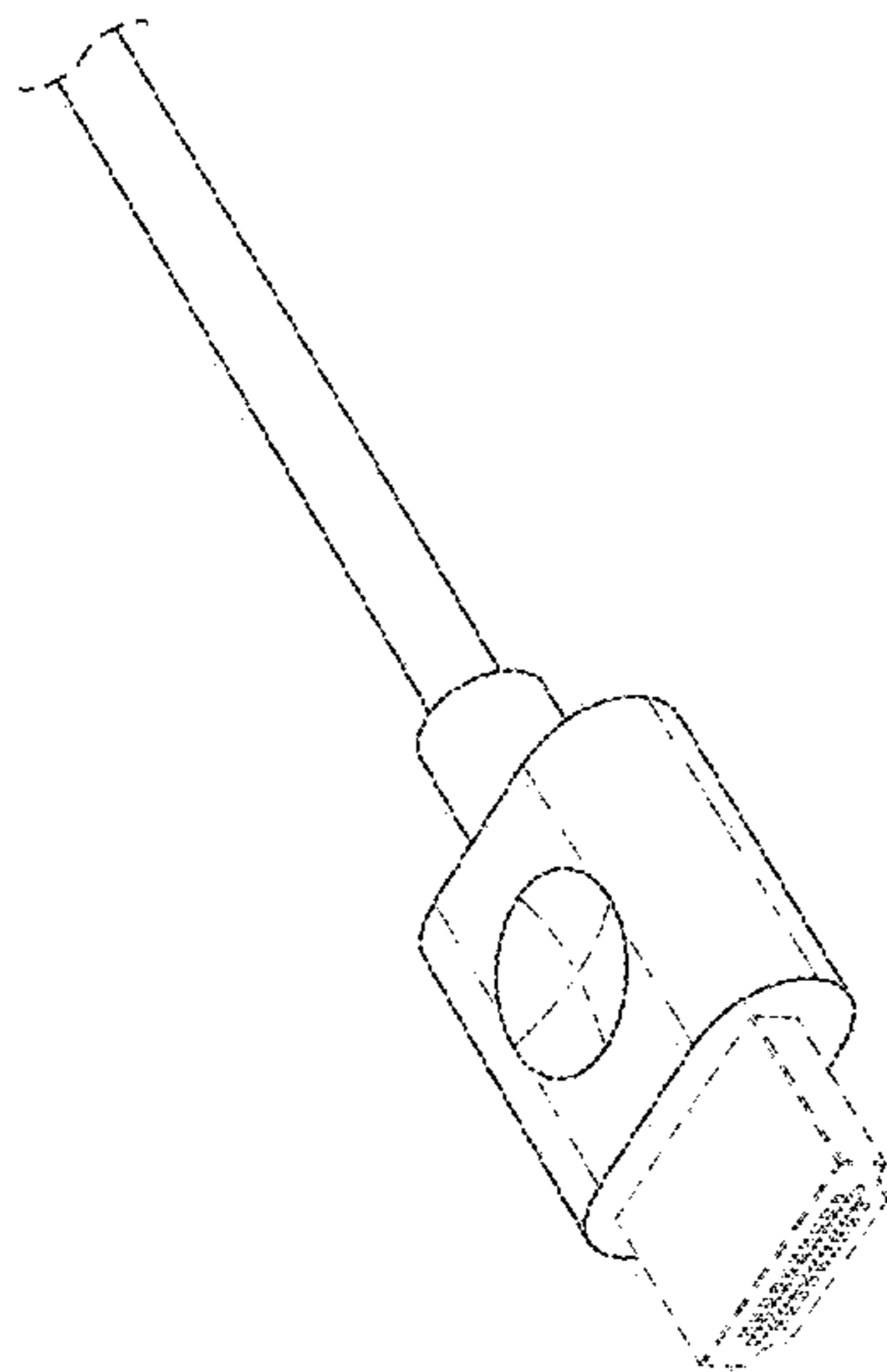


FIG. 7