



US00D889470S

(12) **United States Design Patent** (10) **Patent No.:** **US D889,470 S**
Zhang et al. (45) **Date of Patent:** **** Jul. 7, 2020**

(54) **USB-C ADAPTER**
(71) Applicant: **Ugreen Group Limited**, Shenzhen (CN)
(72) Inventors: **Qingsen Zhang**, Shenzhen (CN); **Junling Chen**, Shenzhen (CN); **Long Luo**, Shenzhen (CN)

D692,024 S * 10/2013 Seong D14/496
D696,195 S * 12/2013 Wen D13/110
D746,823 S * 1/2016 Lai D14/434
D762,170 S * 7/2016 Lei D13/108
D788,112 S * 5/2017 Liao D14/433
D798,811 S * 10/2017 Liao D13/110
D800,730 S * 10/2017 Liao D14/433

(Continued)

(**) Term: **15 Years**
(21) Appl. No.: **29/657,770**
(22) Filed: **Jul. 25, 2018**

FOREIGN PATENT DOCUMENTS

CN 304967981 * 12/2018
EM 003099605-0001 * 5/2016
EM 004370344-0005 * 10/2017

(30) **Foreign Application Priority Data**

Feb. 1, 2018 (CN) 2018 3 0048882

(51) **LOC (12) Cl.** **14-99**

(52) **U.S. Cl.**
USPC **D14/433**

(58) **Field of Classification Search**
USPC D14/240, 242, 356, 357, 358, 378, 383, D14/384, 385, 386, 433, 434, 435.1, D14/480.1, 480.3, 480.4, 480.5, 480.6, D14/480.7; D13/103, 107, 108, 110, 146; D18/12, 12.1, 12.3
CPC H01R 25/003; H01R 25/006; H01R 27/02; H01R 31/005; H01R 13/60; H01R 13/6658; H01R 13/72; G06F 1/1607; G06F 1/1632; G06F 1/1684; G06F 1/266; G06F 11/325; G06F 13/00; G06F 13/12; G06F 13/14; G06F 13/20; G06F 13/382; G06F 13/4022; G06F 9/4413
See application file for complete search history.

OTHER PUBLICATIONS

Ugreen—50209 USB C Hub, USB Type C 3.1 Adapter Dock with 4K HDMI, YouTube online, post date Aug. 17, 2018, URL: <https://www.youtube.com/watch?v=iSDwdOfjhz0>, retrieved Feb. 28, 2020.*

(Continued)

Primary Examiner — Jeffrey D Asch
Assistant Examiner — Rebekah A Caruso
(74) *Attorney, Agent, or Firm* — ZANIP

(57) **CLAIM**

The ornamental design for an USB-C adapter, as shown and described.

DESCRIPTION

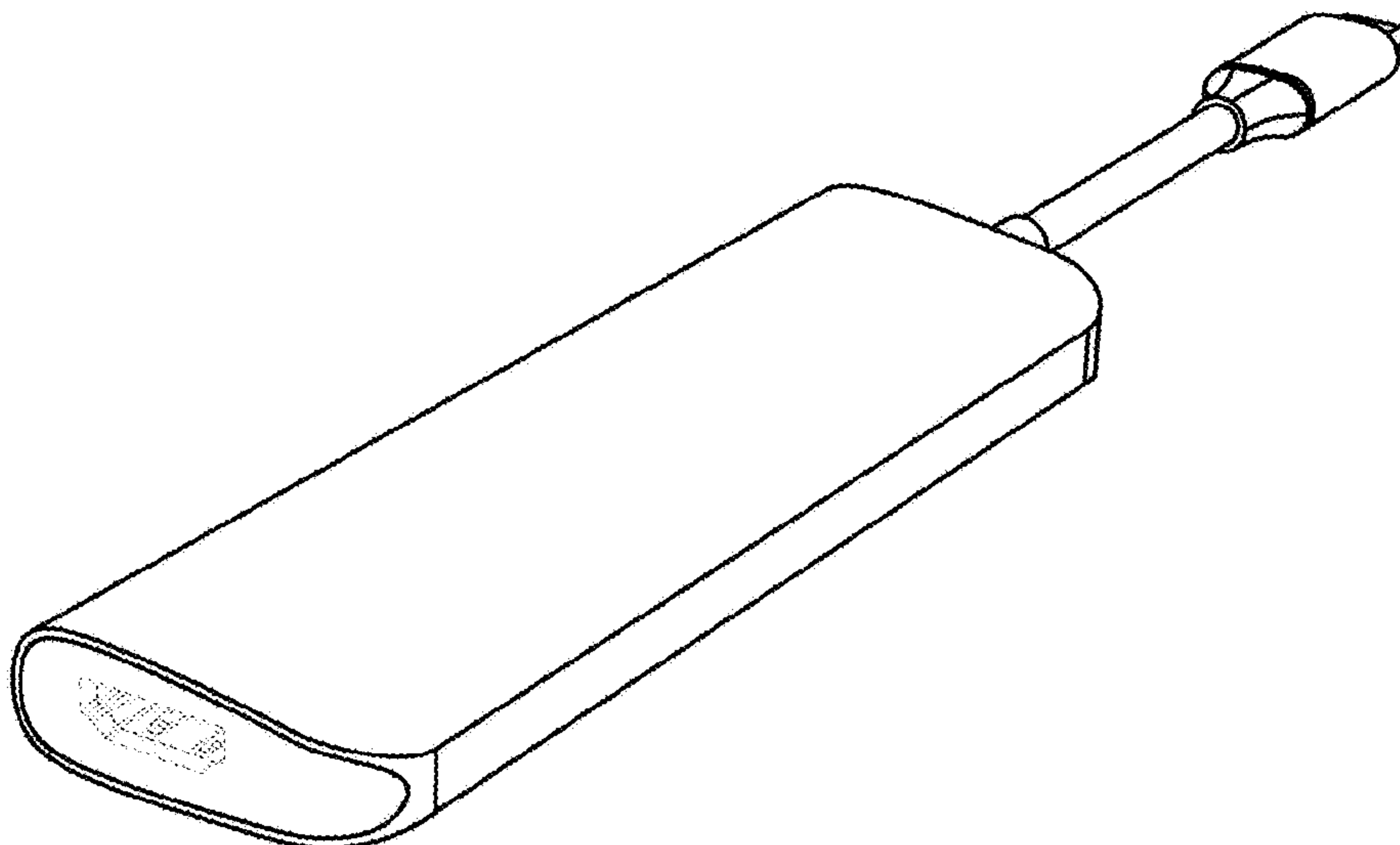
FIG. 1 is a perspective view of an USB-C adapter showing our new design;
FIG. 2 is a front elevational view thereof;
FIG. 3 is a rear elevational view thereof;
FIG. 4 is a right side view thereof;
FIG. 5 is a left side view thereof;
FIG. 6 is a top plan view thereof; and,
FIG. 7 is a bottom plan view thereof.
The broken lines in the drawing depict portions of the USB-C adapter that form no part of the claimed design.

(56) **References Cited**

U.S. PATENT DOCUMENTS

D560,165 S * 1/2008 Matityahu D13/133
D648,340 S * 11/2011 Okura D14/480.7
D683,765 S * 6/2013 Ahn D14/203.3

1 Claim, 7 Drawing Sheets



(56)

References Cited

U.S. PATENT DOCUMENTS

D828,839 S * 9/2018 Zhang D14/433
D828,840 S * 9/2018 Zhang D14/433
D828,841 S * 9/2018 Zhang D14/433
D830,366 S * 10/2018 Turksu D14/433
D847,139 S * 4/2019 Wang D14/433
D853,396 S * 7/2019 Kong D14/434
D854,020 S * 7/2019 Liao D14/434
D855,054 S * 7/2019 Turksu D14/433
D856,278 S * 8/2019 Turksu D13/108
D862,385 S * 10/2019 Turksu D13/108
D864,208 S * 10/2019 Duan D14/433
D864,209 S * 10/2019 Wang D14/434
D866,557 S * 11/2019 Xiong D14/433
D869,467 S * 12/2019 Lin D14/434
D876,439 S * 2/2020 Turksu D14/433
D879,779 S * 3/2020 Liao D14/433
D880,481 S * 4/2020 Liao D14/433
D880,483 S * 4/2020 Fan D14/433
D883,293 S * 5/2020 Zhang D14/433
2003/0225954 A1 * 12/2003 Wu G06F 11/325
710/305
2012/0243156 A1 * 9/2012 Cheng G06F 13/4022
361/679.02

OTHER PUBLICATIONS

“Ugreen releases new USB-C Multiport Adapter with discounted \$41 launch price,” Ugreen USB-C Multiport Adapter pictured therein, online, post date Jan. 27, 2018, URL: <https://9to5mac.com/2018/01/27/ugreen-usb-c-multiport-adapter/>, retrieved Jan. 29, 2020.*

* cited by examiner

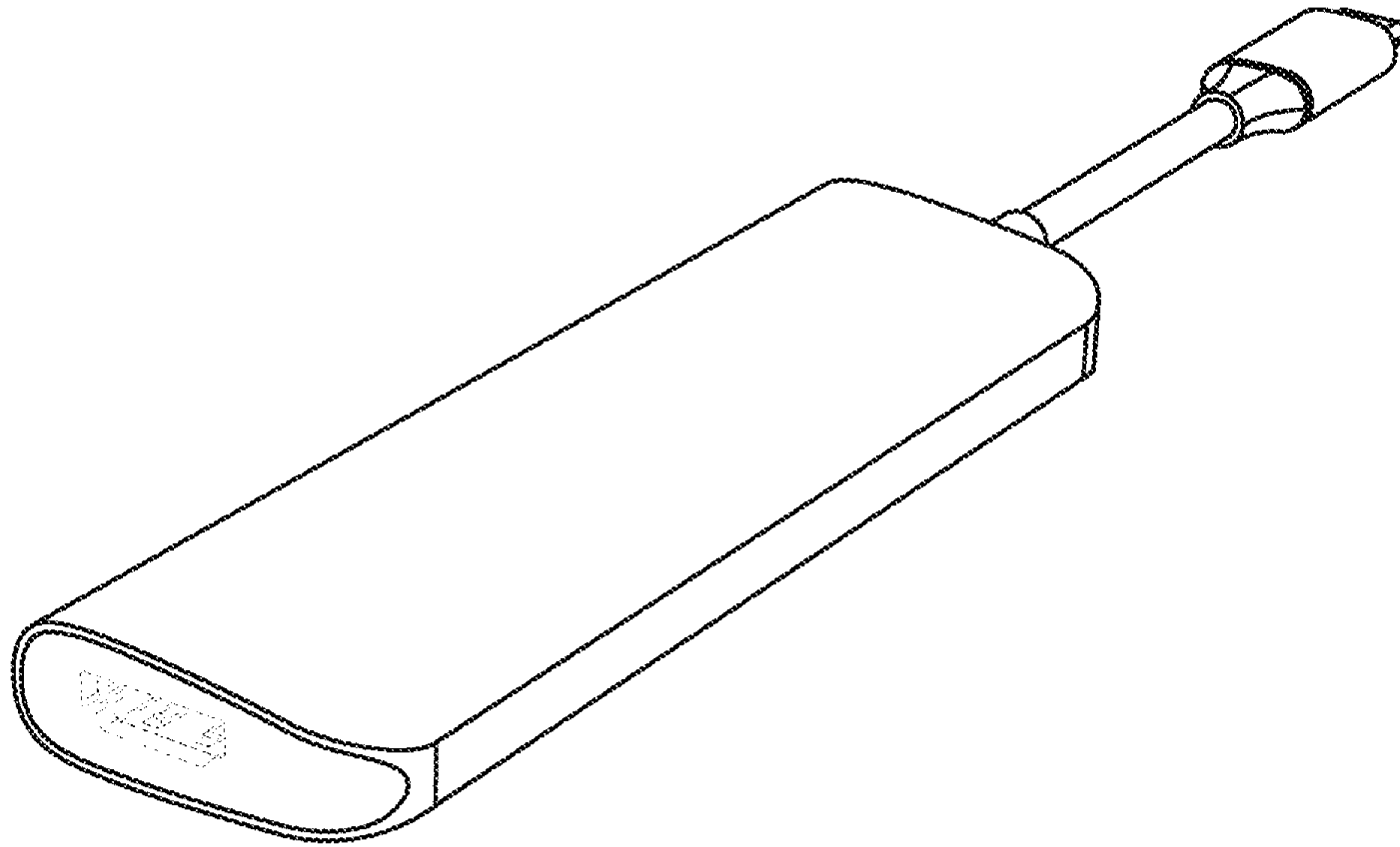


FIG. 1

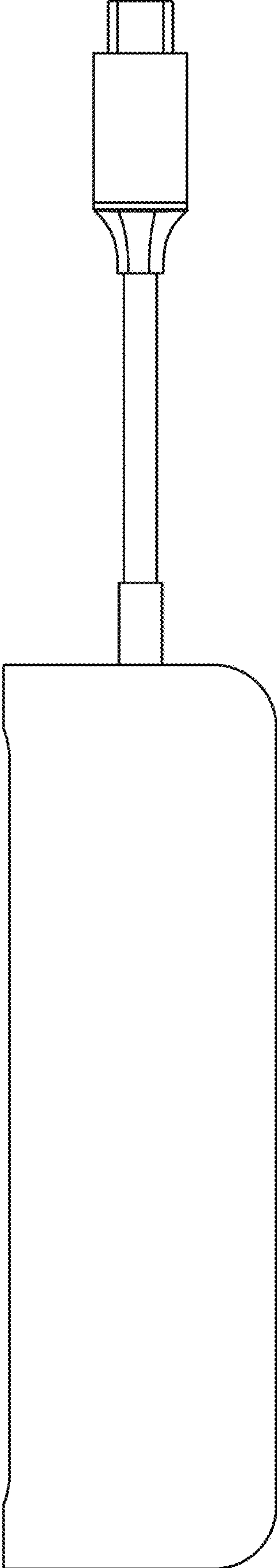


FIG. 2

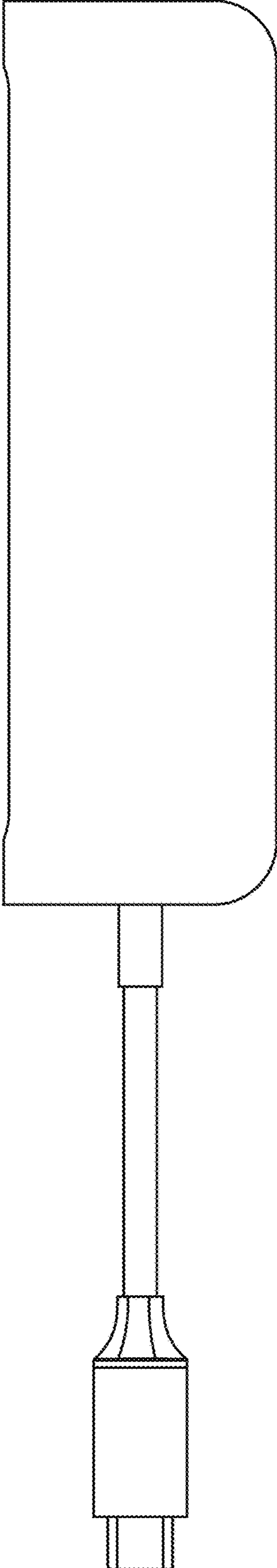


FIG. 3

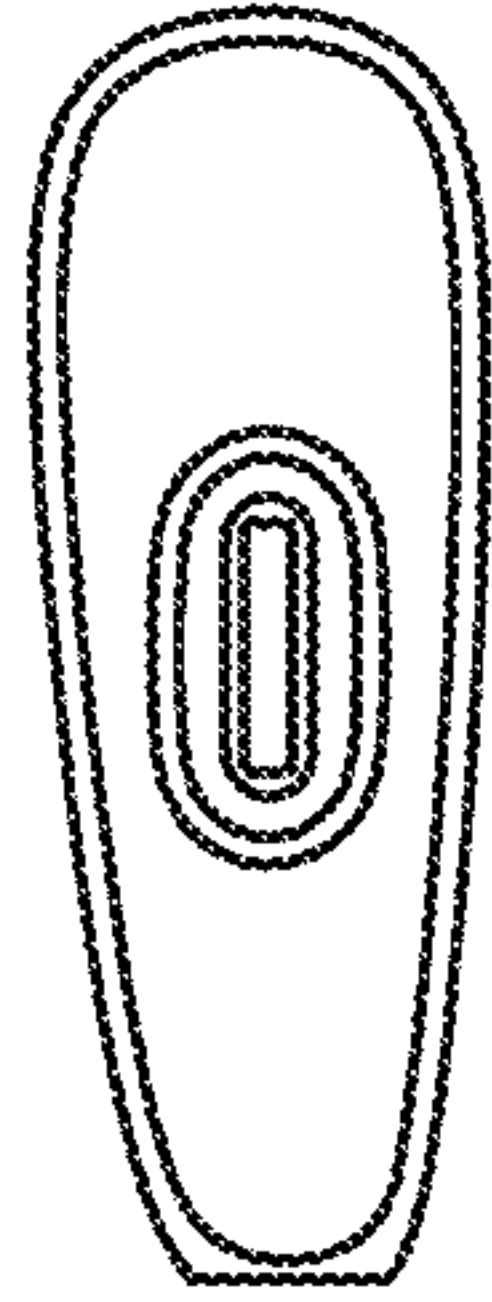


FIG. 4

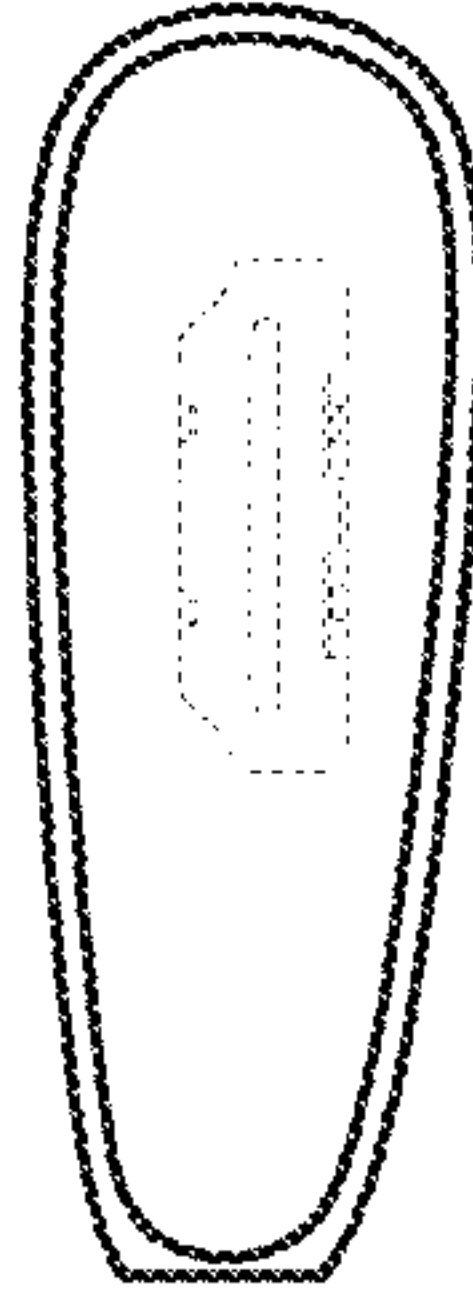


FIG. 5

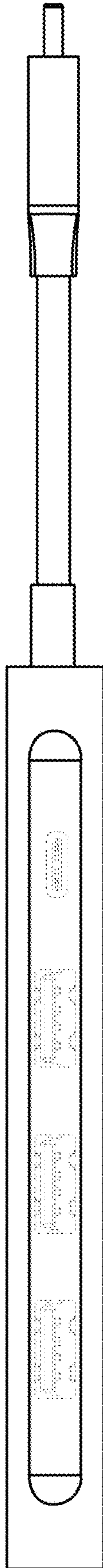


FIG. 6

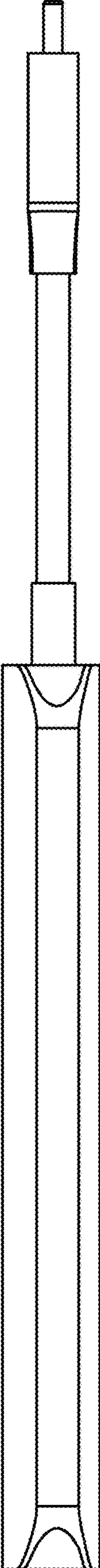


FIG. 7