



US00D889469S

(12) **United States Design Patent**  
**Zhang et al.**

(10) **Patent No.:** **US D889,469 S**

(45) **Date of Patent:** **\*\* Jul. 7, 2020**

(54) **USB-C ADAPTER**

(71) Applicant: **Ugreen Group Limited**, Shenzhen (CN)

(72) Inventors: **Qingsen Zhang**, Shenzhen (CN);  
**Junling Chen**, Shenzhen (CN);  
**Jianqiang Liang**, Shenzhen (CN)

(\*\*) Term: **15 Years**

(21) Appl. No.: **29/649,061**

(22) Filed: **May 25, 2018**

(51) **LOC (12) Cl.** ..... **14-99**

(52) **U.S. Cl.**  
USPC ..... **D14/433**

(58) **Field of Classification Search**  
USPC ..... D14/240, 242, 356, 357, 358, 378, 383,  
D14/384, 385, 386, 433, 434, 435.1,  
D14/480.1, 480.3, 480.4, 480.5, 480.6,  
D14/480.7; D13/103, 107, 108, 110, 146;  
D18/12, 12.1, 12.3  
CPC .... H01R 25/003; H01R 25/006; H01R 27/02;  
H01R 31/005; H01R 13/60; H01R  
13/6658; H01R 13/72; G06F 1/1607;  
G06F 1/1632; G06F 1/1684; G06F 1/266;  
G06F 11/325; G06F 13/00; G06F 13/12;  
G06F 13/14; G06F 13/20; G06F 13/382;  
G06F 13/4022; G06F 9/4413

See application file for complete search history.

(56) **References Cited**

**U.S. PATENT DOCUMENTS**

D560,165 S \* 1/2008 Matityahu ..... D13/133  
D648,340 S \* 11/2011 Okura ..... D14/480.7  
D683,765 S \* 6/2013 Ahn ..... D14/203.3  
D692,024 S \* 10/2013 Seong ..... D14/496  
D696,195 S \* 12/2013 Wen ..... D13/110  
D746,823 S \* 1/2016 Lai ..... D14/434  
D762,170 S \* 7/2016 Lei ..... D13/108

D788,112 S \* 5/2017 Liao ..... D14/433  
D798,811 S \* 10/2017 Liao ..... D13/110  
D800,730 S \* 10/2017 Liao ..... D14/433  
D828,839 S \* 9/2018 Zhang ..... D14/433  
D828,840 S \* 9/2018 Zhang ..... D14/433  
D828,841 S \* 9/2018 Zhang ..... D14/433  
D830,366 S \* 10/2018 Turksu ..... D14/433  
D847,139 S \* 4/2019 Wang ..... D14/433  
D853,396 S \* 7/2019 Kong ..... D14/434  
D854,020 S \* 7/2019 Liao ..... D14/434  
D855,054 S \* 7/2019 Turksu ..... D14/433

(Continued)

**OTHER PUBLICATIONS**

Ugreen USB-C Hub Type C Adapter, online, no post date, URL:  
<https://www.ugreen.com.cn/products/7-in-1-usb-c-hub-adapter>, retrieved  
Jan. 29, 2020.\*

(Continued)

*Primary Examiner* — Jeffrey D Asch  
*Assistant Examiner* — Rebekah A Caruso  
(74) *Attorney, Agent, or Firm* — ZANIP

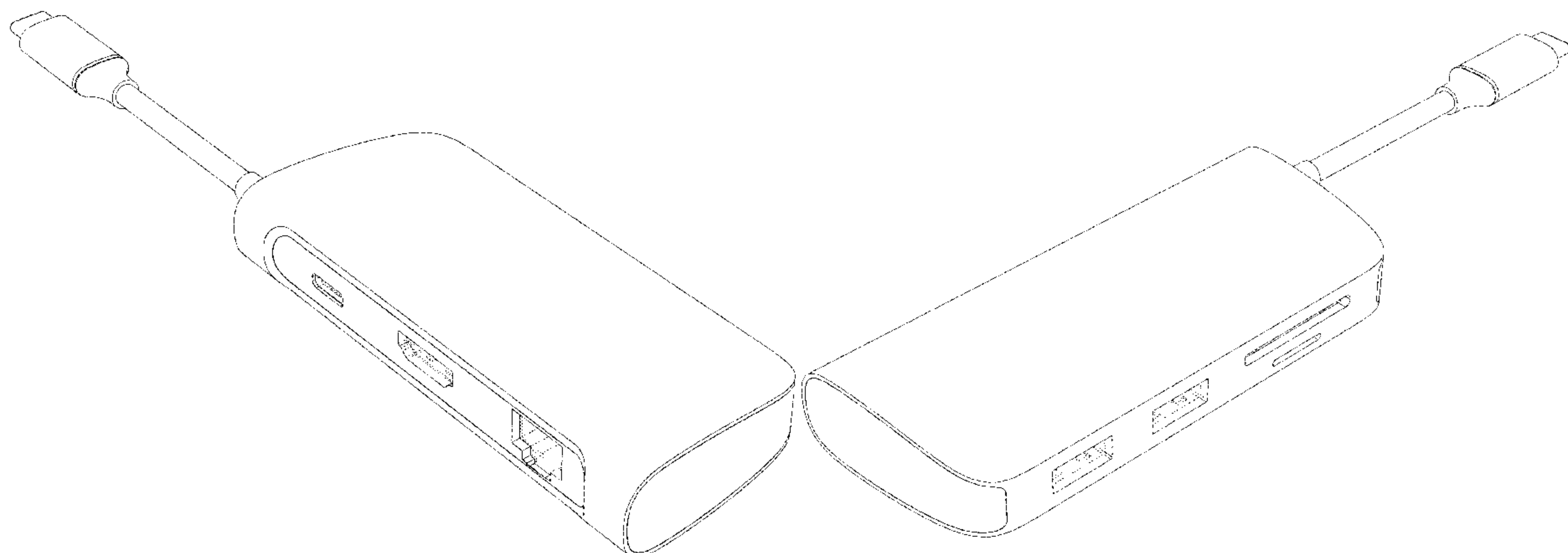
(57) **CLAIM**

The ornamental design for a USB-C adapter, as shown and described.

**DESCRIPTION**

FIG. 1 is a perspective view of a USB-C adapter showing our new design;  
FIG. 2 is another perspective view (the other side) thereof;  
FIG. 3 is a front elevational view thereof;  
FIG. 4 is a rear elevational view thereof;  
FIG. 5 is a right side view thereof;  
FIG. 6 is a left side view thereof;  
FIG. 7 is a top plan view thereof; and,  
FIG. 8 is a bottom plan view thereof.  
The broken lines in the drawing depict portions of the USB-C adapter that form no part of the claimed design.

**1 Claim, 8 Drawing Sheets**



(56)

**References Cited**

U.S. PATENT DOCUMENTS

D856,278	S	*	8/2019	Turksu	.....	D13/108
D862,385	S	*	10/2019	Turksu	.....	D13/108
D864,208	S	*	10/2019	Duan	.....	D14/433
D866,557	S	*	11/2019	Xiong	.....	D14/433
D869,467	S	*	12/2019	Lin	.....	D14/434
D876,439	S	*	2/2020	Turksu	.....	D14/433
D879,779	S	*	3/2020	Liao	.....	D14/433
D880,481	S	*	4/2020	Liao	.....	D14/433
D880,483	S	*	4/2020	Fan	.....	D14/433
D883,293	S	*	5/2020	Zhang	.....	D14/433
2003/0225954	A1	*	12/2003	Wu	.....	G06F 11/325 710/305
2012/0243156	A1	*	9/2012	Cheng	.....	G06F 13/4022 361/679.02

OTHER PUBLICATIONS

Ugreen 7-in-1 USB-C Hub Adapter, online, no post date, URL:<https://saudi.souq.com/sa-en/ugreen-usb-c-hub-type-c-adapter-3-1-with-hdmi-vga-power-delivery-charging-gigabit-ethernet-port-3-usb-3-0-ports-micro-sd-card-reader-for-apple-macbook-pro-2017-2016-google-chromebook-dell-xps-13-32730034/i/>, retrieved Jan. 29, 2020.\*

\* cited by examiner

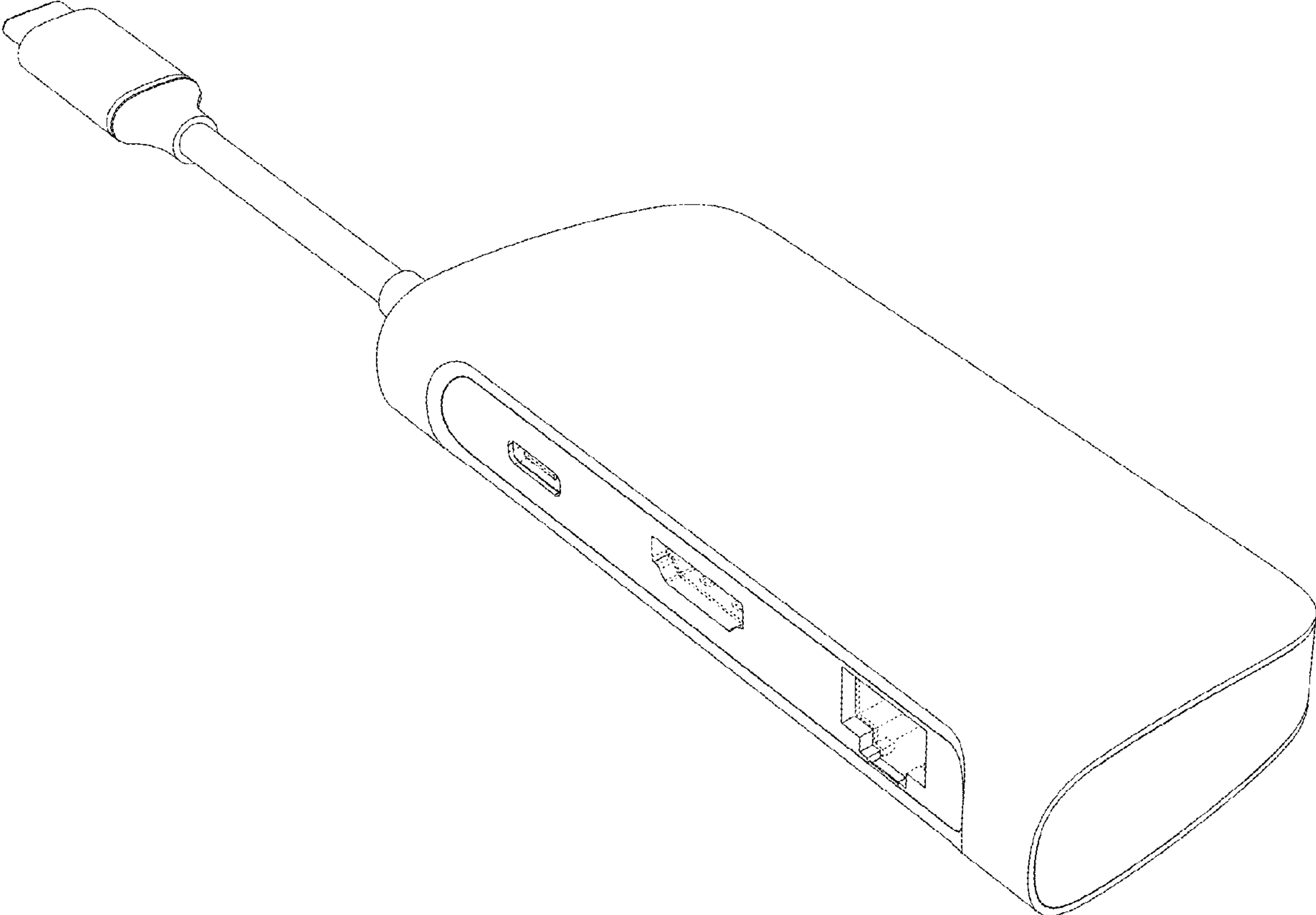


FIG. 1

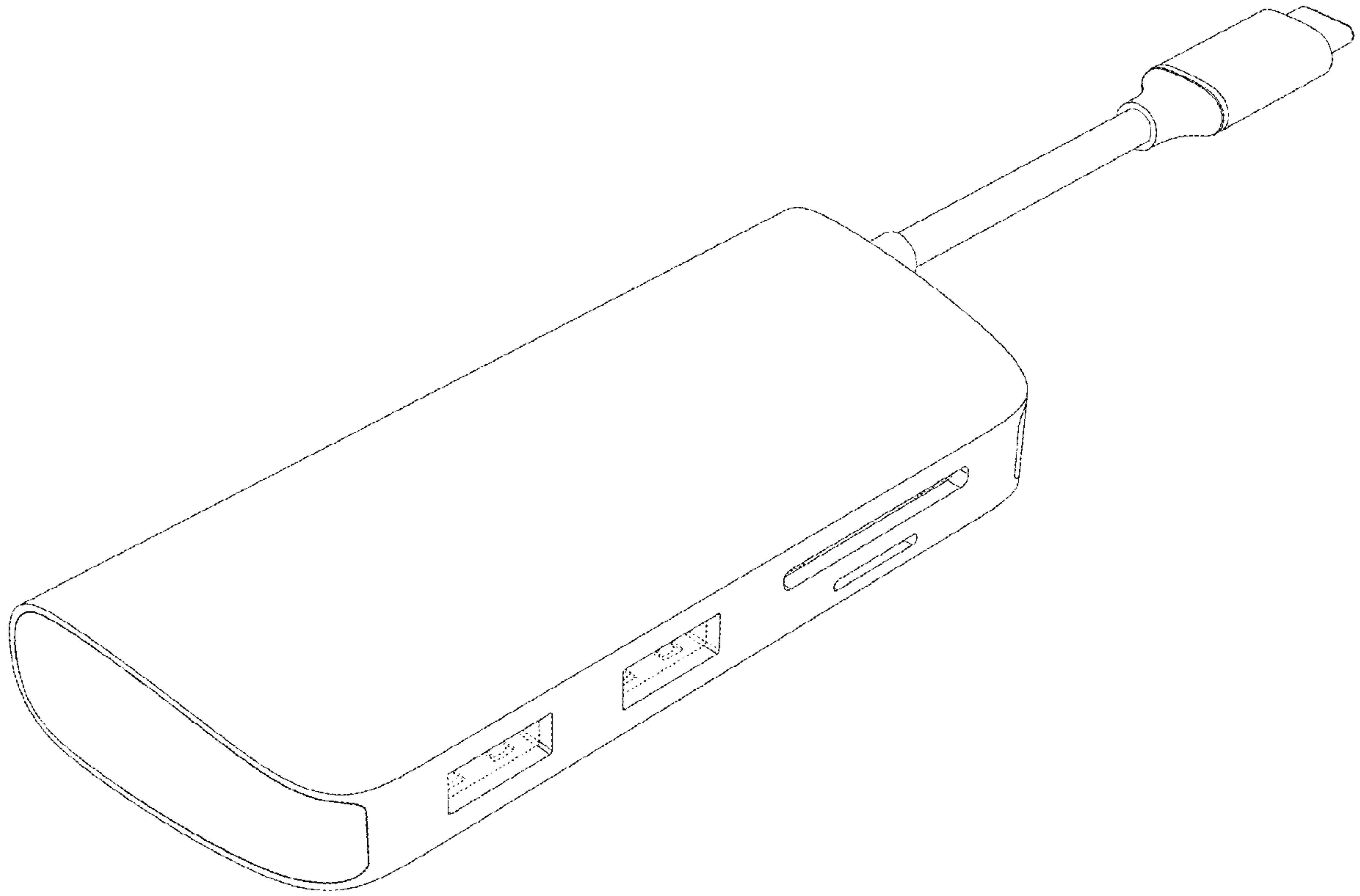


FIG. 2

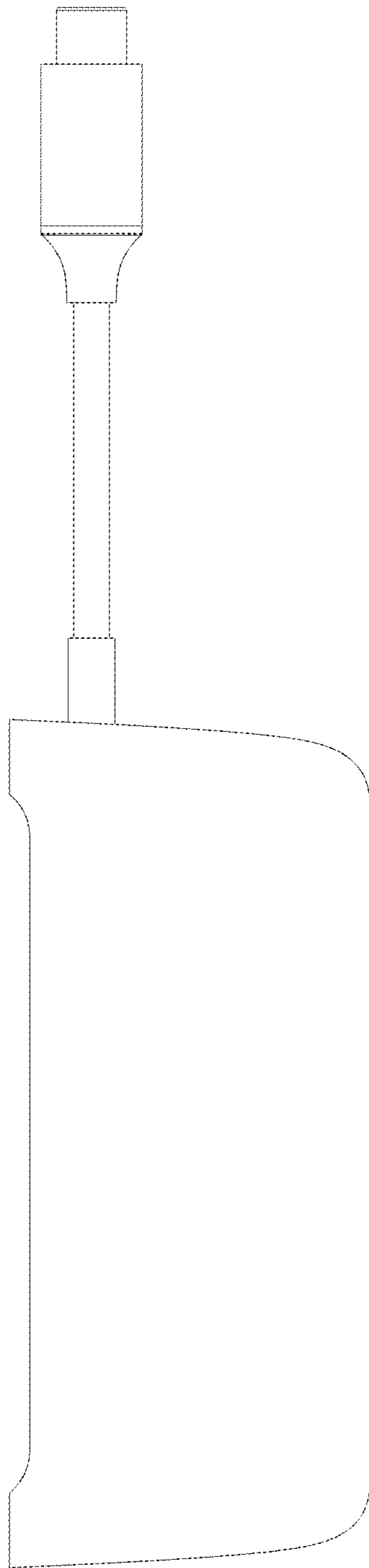


FIG. 3

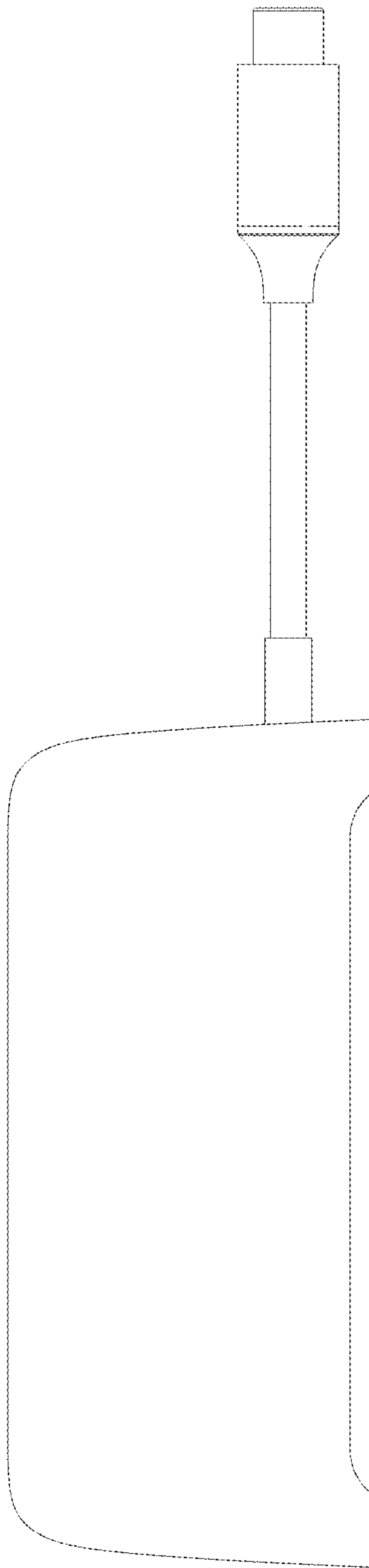


FIG. 4

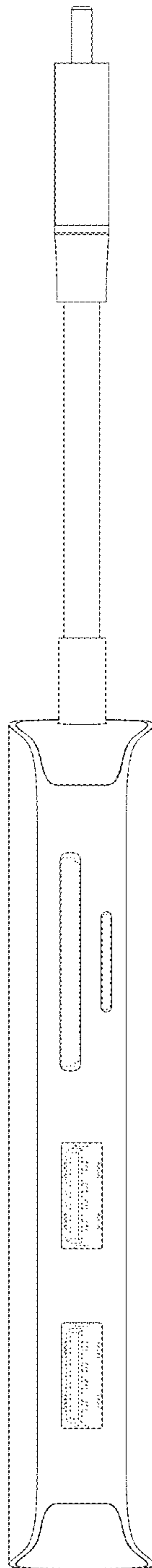


FIG. 5

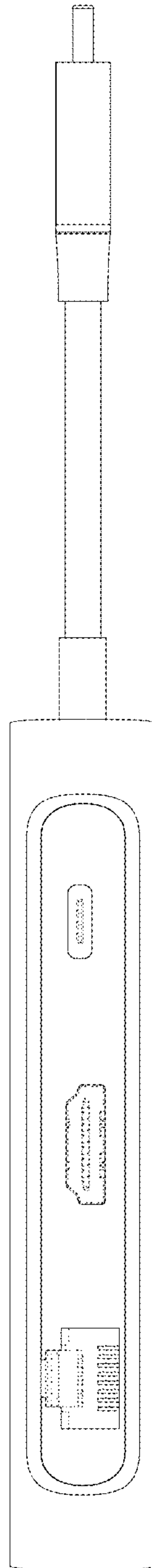


FIG. 6



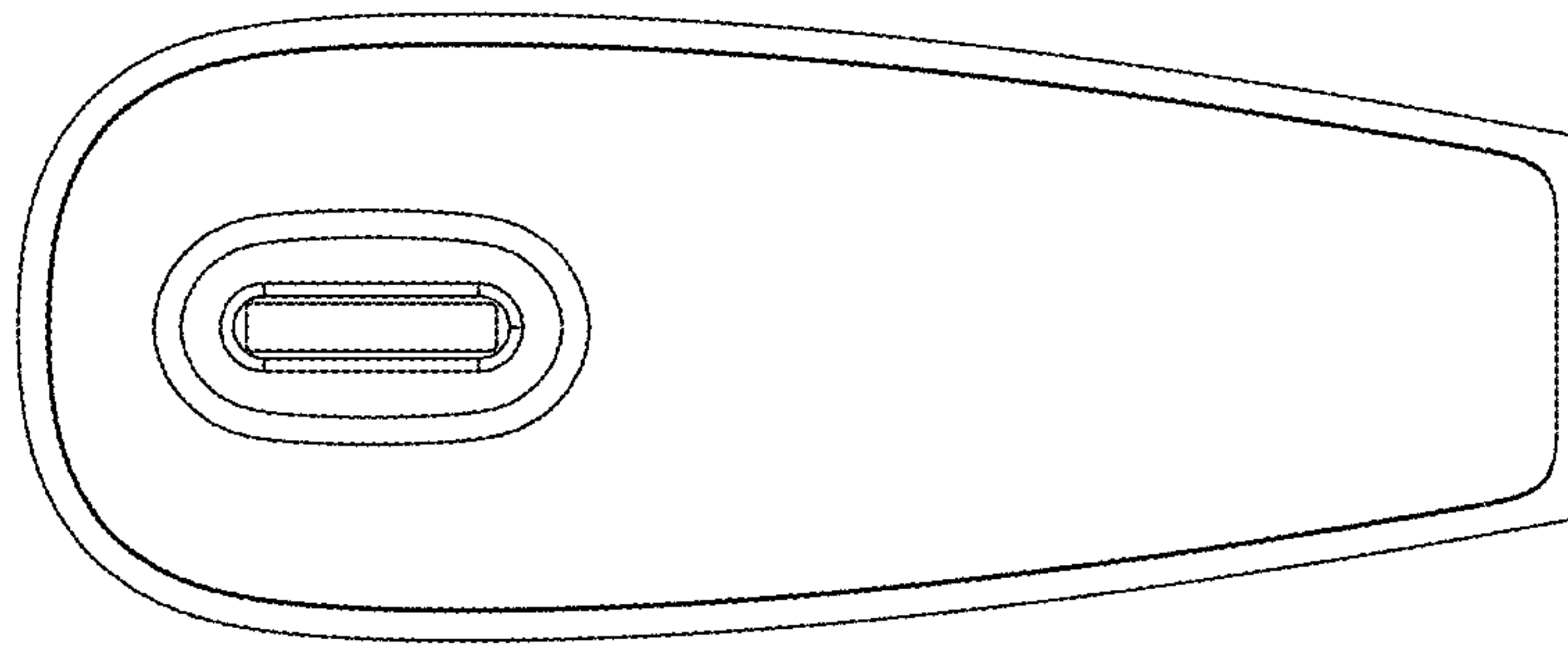


FIG. 7

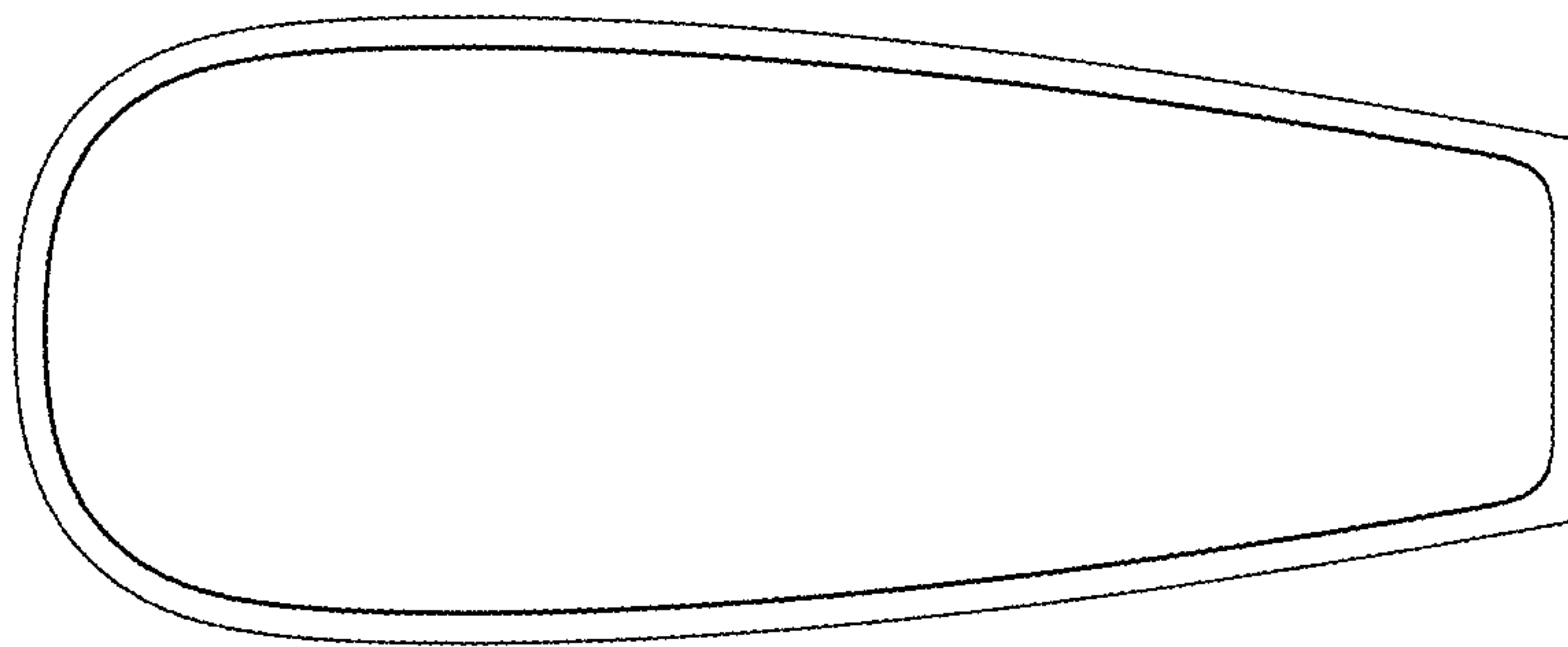


FIG. 8