



US00D889468S

(12) **United States Design Patent**
Palma Dornfeld

(10) **Patent No.:** **US D889,468 S**
(45) **Date of Patent:** **** Jul. 7, 2020**

(54) **DATA PROCESSING EQUIPMENT**

(71) Applicant: **Bogen Electronic GmbH**, Berlin (DE)

(72) Inventor: **Hilmar Palma Dornfeld**, Berlin (DE)

(73) Assignee: **Bogen Electronic GmbH**, Berlin (DE)

(**) Term: **15 Years**

(21) Appl. No.: **29/623,328**

(22) Filed: **Oct. 24, 2017**

(51) **LOC (12) Cl.** **14-02**

(52) **U.S. Cl.**
USPC **D14/432**

(58) **Field of Classification Search**
USPC D14/358, 348, 356, 357, 432, 433, 435,
D14/435.1, 436, 437, 438, 496, 140.1,
D14/155, 167, 168, 172, 188, 195, 191,
D14/192, 217, 230, 240, 242, 299, 300,
D14/480.1; D13/123, 133, 135, 146, 147,
D13/184, 199; D10/46, 104.1, 106.1, 70,
D10/72, 75, 80, 103
CPC G06F 1/16; G06F 1/1684; G06F 3/0312;
G06F 8/44; G06F 2212/401; G01D
5/2451; G01D 5/147; G01D 5/145; G01D
5/04

See application file for complete search history.

(56) **References Cited**

U.S. PATENT DOCUMENTS

D321,690 S	*	11/1991	Brenda	D14/191
D321,691 S	*	11/1991	Brenda	D14/191
D361,332 S	*	8/1995	Scheid	D14/191
D367,653 S	*	3/1996	Tajima	D14/191
D371,770 S	*	7/1996	Larson	D14/242
D431,035 S	*	9/2000	Lehtomaki	D14/242
D432,540 S	*	10/2000	Laity	D14/436
D437,244 S	*	2/2001	Weirsmann	D10/106.1
D458,935 S	*	6/2002	Hiroki	D14/436
D467,511 S	*	12/2002	Kitamura	D10/65
D485,822 S	*	1/2004	Hudson	D14/191

D488,476 S	*	4/2004	Yu	D14/436
D491,191 S	*	6/2004	Wen	D14/496
6,744,385 B2	*	6/2004	Kazuya	G01D 5/04 341/15
D492,686 S	*	7/2004	Yu	D14/436
D498,759 S	*	11/2004	Lewis	D14/242
D502,181 S	*	2/2005	Hong	D14/436
D502,465 S	*	3/2005	Laity	D14/242
D503,717 S	*	4/2005	Kawamura	D14/432
D518,483 S	*	4/2006	Yu	D14/436
D525,977 S	*	8/2006	Yao	D14/436
D533,472 S	*	12/2006	Widener	D10/47

(Continued)

OTHER PUBLICATIONS

Bogen presents the smallest magnetic measuring head. (online) updated Apr. 11, 2017. [Retrieved on Jan. 7, 2020] <https://www.eedesignit.com/bogen-presents-the-smallest-magnetic-measuring-head/>.*

Primary Examiner — Marie D. Fast Horse
(74) *Attorney, Agent, or Firm* — Lewis Kohn & Walker LLP; David M. Kohn; Kari Moyer-Henry

(57) **CLAIM**

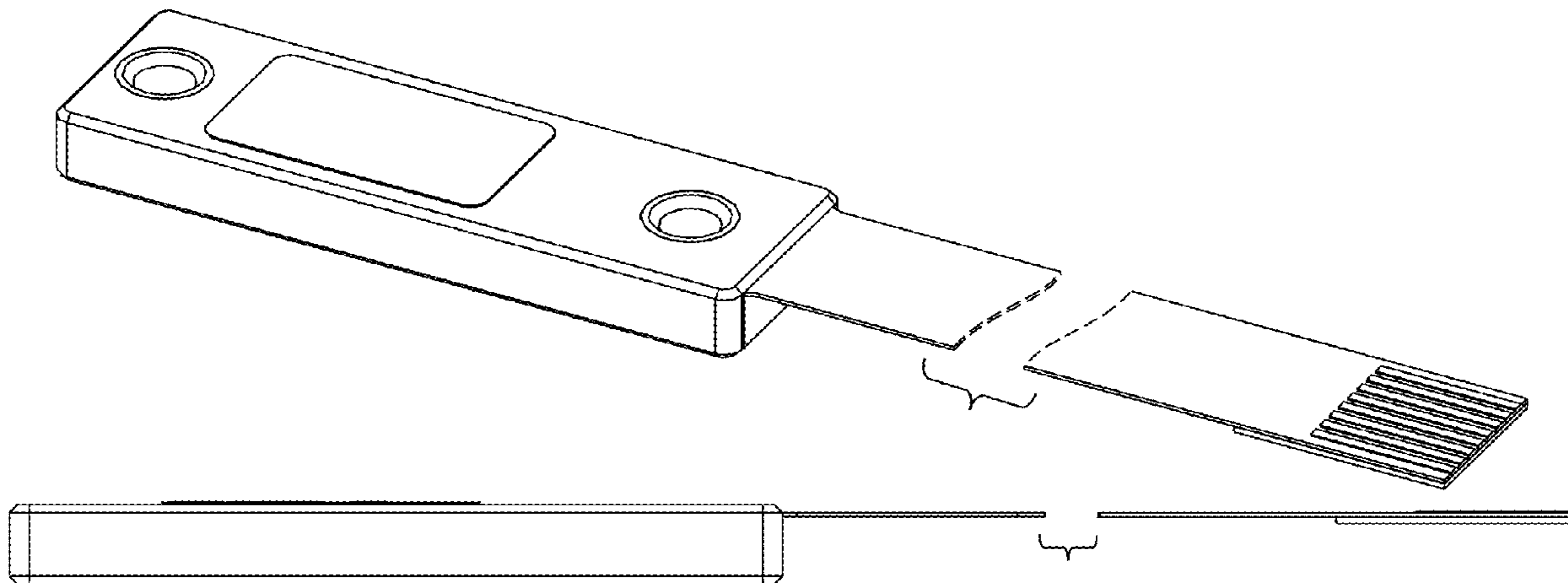
The ornamental design for data processing equipment, as shown and described.

DESCRIPTION

FIG. 1 is a perspective view of data processing equipment showing the new design;
FIG. 2 is a front view thereof;
FIG. 3 is a rear side view thereof;
FIG. 4 is a top plan view thereof;
FIG. 5 is a bottom plan view thereof;
FIG. 6 is a left side view thereof; and,
FIG. 7 is a right side view thereof.

The data processing equipment is shown with a symbolic break in its length. The appearance of any portion of the article in between the broken lines, including the broken lines themselves, forms no part of the claimed design.

1 Claim, 7 Drawing Sheets



(56)

References Cited

U.S. PATENT DOCUMENTS

D555,653 S * 11/2007 Tseng D14/435
D558,210 S * 12/2007 Tseng D14/435
D563,430 S * 3/2008 Deguchi D14/480.1
D573,997 S * 7/2008 Kim D14/436
D591,753 S * 5/2009 Nakano D14/436
D595,696 S * 7/2009 Greitzke D14/218
D607,886 S * 1/2010 Bolotin D14/480.1
D623,178 S * 9/2010 Lu D14/242
D632,298 S * 2/2011 DePaula D14/436
D641,360 S * 7/2011 Ledbetter D14/356
D641,361 S * 7/2011 Ledbetter D14/356
D642,549 S * 8/2011 Zeinoun D14/125
D656,139 S * 3/2012 Schlosstein D14/480.1
D656,144 S * 3/2012 Schlosstein D14/480.1
D656,146 S * 3/2012 Schlosstein D14/480.5
D658,665 S * 5/2012 Akana D14/480.1
D666,201 S * 8/2012 Gallagher D14/435
D675,215 S * 1/2013 Akana D14/480.1
D687,836 S * 8/2013 Chen D14/480.1
D690,672 S * 10/2013 Yoshida D13/182
D706,277 S * 6/2014 Fukuoka D14/480.1
D709,894 S * 7/2014 Fetterman D14/436
D717,869 S * 11/2014 Reeder D20/10
D758,371 S * 6/2016 Daniel D14/435.1
D768,140 S * 10/2016 Daniel D14/480.1
D774,035 S * 12/2016 Kao D14/435.1
D807,897 S * 1/2018 Dahan D14/480.1
D839,272 S * 1/2019 Seo D14/435
D846,557 S * 4/2019 Ehrensvar D14/480.1

* cited by examiner

FIG. 1

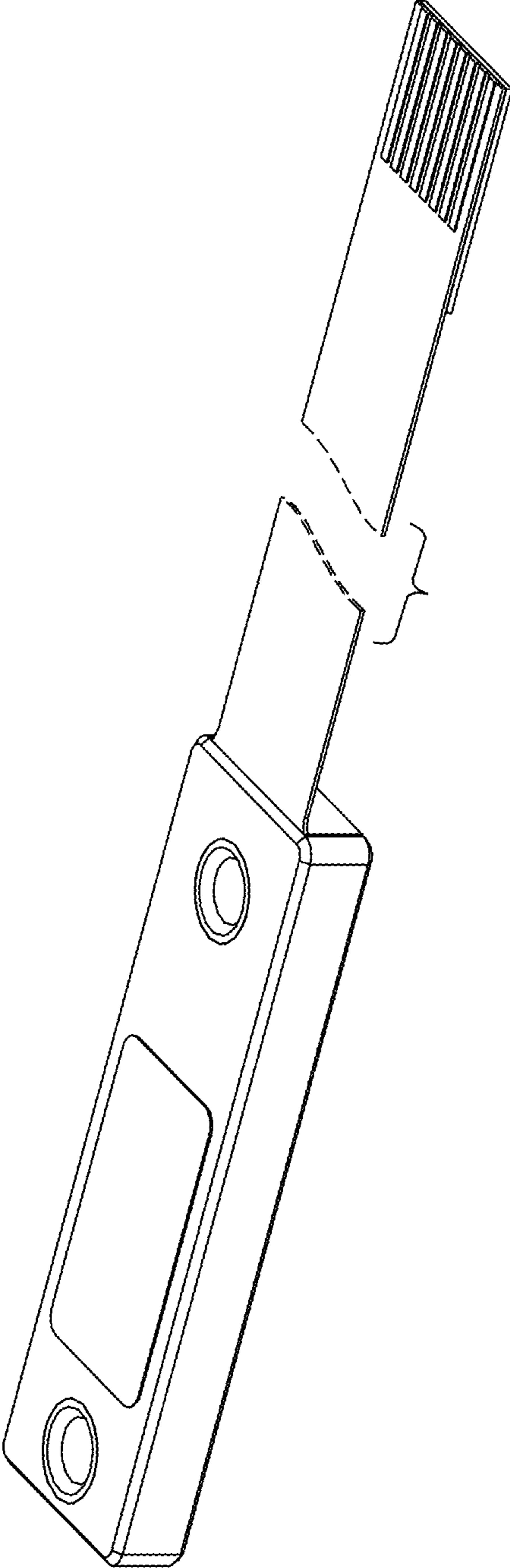


FIG. 2

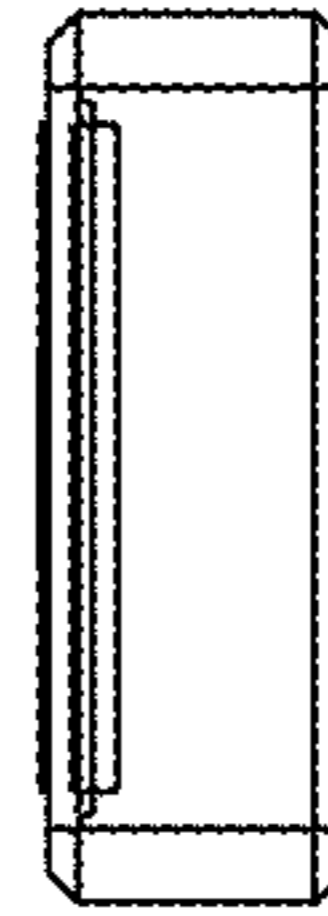


FIG. 3

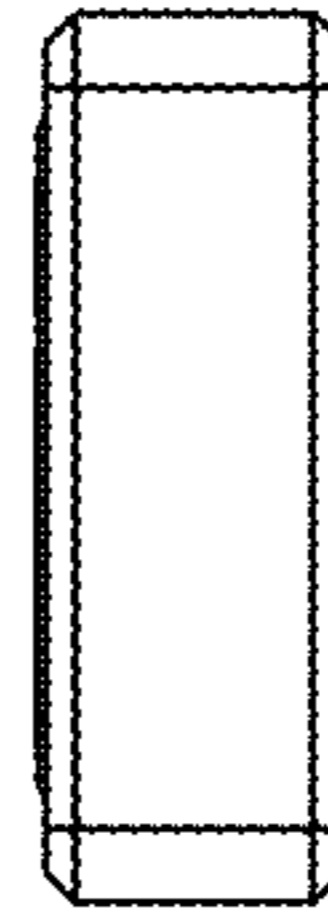


FIG. 4

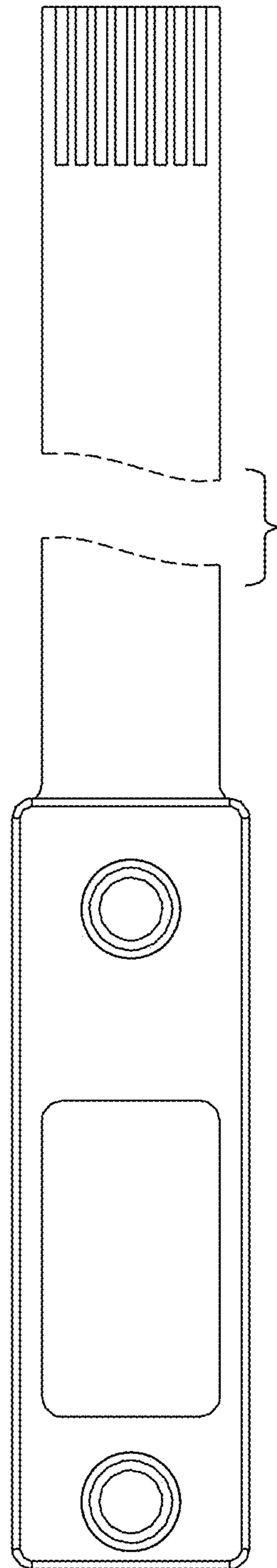


FIG. 5

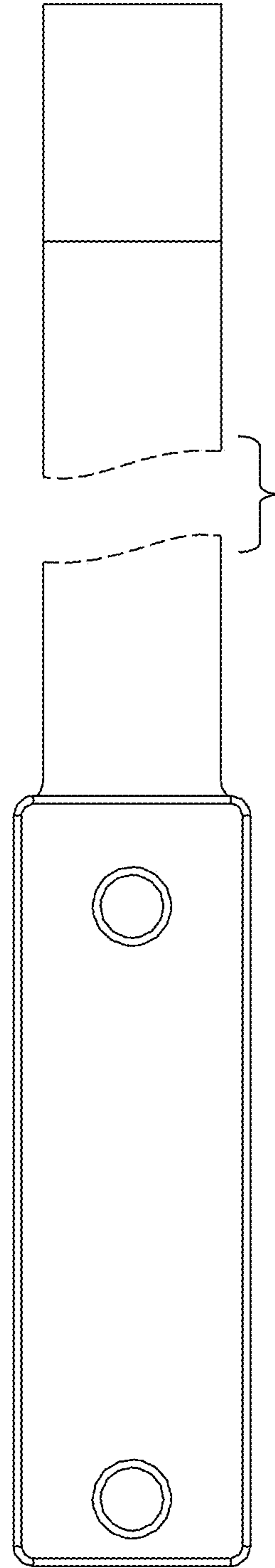


FIG. 6

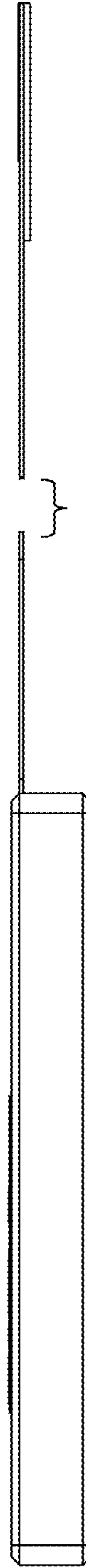


FIG. 7

