



US00D889467S

(12) **United States Design Patent**
Fook

(10) **Patent No.:** **US D889,467 S**

(45) **Date of Patent:** **** Jul. 7, 2020**

(54) **BODY SCANNER**

(71) Applicant: **Guangdong Kang Yun Technologies Limited**, Guangzhou Huangpu District (CN)

(72) Inventor: **Lee Seng Fook**, Singapore (SG)

(**) Term: **15 Years**

(21) Appl. No.: **29/625,892**

(22) Filed: **Nov. 14, 2017**

(51) **LOC (12) Cl.** **14-02**

(52) **U.S. Cl.**
USPC **D14/420; D24/158**

(58) **Field of Classification Search**
USPC D14/420-423, 385; 433/222.1, 223, 433/213-215, 73, 24, 29, 37, 202.1; 700/98, 97, 118, 161, 163, 182; 264/16, 264/17, 19, 219, 225; 374/1; 707/104.1; 249/54; 600/590; D20/1-9; 194/205, 194/206, 244, 321, 345, 346, 350; D18/3.3, 4.4, 12, 49; D99/28, 43; 235/381; 33/286, 276, 227, 1 R, 1 C, 33/1 G, 1 K, 1 N, 1 L; 348/47-50, 86, 348/94, 95, 207.99, 280, 281, 294, 369, 348/370; 359/202.1, 203.1, 204.1-204.5, 359/216.1, 221.2-221.4, 225.1, 226.2, 359/198.1, 200.1, 200.2, 1, 17-22, 32-35, 359/896; 396/155, 14, 19, 20; 353/82; D15/122, 125, 126, 129, 130, 138, 199; D24/158, 186, 209, 210; D16/208, 214; 378/4-6, 12-27, 62, 63, 68, 70, 146, 378/193-195, 204-207; 250/363.02-363.09, 366, 367, 370.1; 47/39, 18, 44, 47, 63, 65, 65.5, 41.14, 42; 248/97, 127, 128, 146, 151, 177.1, 186.1, 248/187.1, 188, 188.1, 188.2, 150, 154, 248/907, 346.03, 152, 173, 526, 156; D6/403; D11/143, 144, 152, 153, 164; D34/6, 5; D7/388

CPC G01C 15/00; G01C 15/002; G01C 15/004; G01C 15/006; G01C 15/008; G01S 17/88; G01S 17/89; G01S 13/89; G01S 13/887; G02B 26/0816; G02B 26/10; G02B 26/101-124; G02B 26/127; G02B 7/1821; G02B 7/1822; G02B 27/0075; G02B 13/001; G02B 5/201; G02B 3/0056; H01L 27/14627; H01L 27/14621; H01L 21/67288; H01L 21/00; H04N 5/2254; H04N 5/23212; H04N 9/3185; H04N 9/3129; H04N 13/0253; H04N 13/0221; G01B 11/2513; G01B 11/2518; G01B 11/2522; G01B 5/0002; G03F 7/70483; G06K 9/3275; G06K 2209/19; G06T 11/003; G06T 11/00; G06T 11/001; G06T 11/005; G06T 1/00; G06T 1/0007; G06T 3/80037; G06T 3/0043; G06T 3/0056; G06T 3/0062; G06T 3/0087; G06T 3/20; G06T 3/40; G06T 3/60; G06T 3/602-608; G06T 5/009; G06T 5/10; G06T 5/20; G06T 5/40; G06T 5/50; G06T 7/0057; G06T 7/0061; G06T 9/001; G01N 21/3581; G01N 2201/11; G01N 2201/115; G01N 2201/117; G01V 5/0066; G01V 5/0016; G01V 8/10; G01V 8/18; G01V 8/22; G01V 8/24; G01V 8/26; A61B 6/4452; A61B 6/447; A61B 6/4435; A61B 6/037; A61B 6/4405; A61B 6/4411; A61B 5/0064-0082; A61B 5/0093-0097; A61B 5/05; A61B 5/0515; A61B 5/053; A61B 5/06; H04B 2001/0491; A01G 31/02; A01G 31/00; A01G 9/12; A01G 9/0293; A01G 9/124; A01G 17/04; A47G 7/02; A47G 7/025; A47G 7/041; F16M 11/00; B65F 1/141; B65F 1/1415; Y10S 248/907

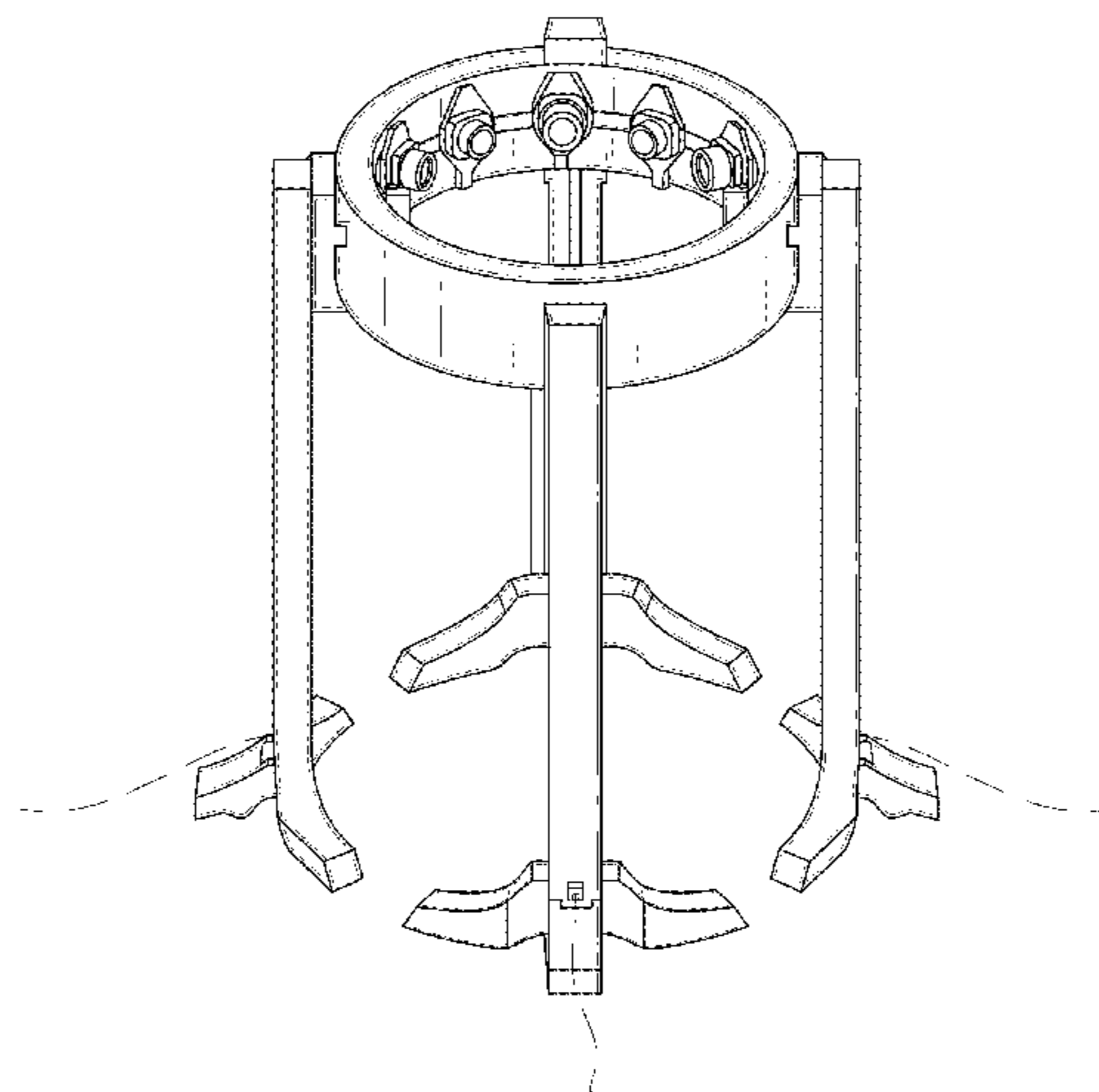
See application file for complete search history.

(56)

References Cited

U.S. PATENT DOCUMENTS

56,402 A * 7/1866 Gillett B65B 67/12 248/97
151,679 A * 6/1874 Benson B65B 67/12 248/97



US D889,467 S

299,713 A *	6/1884	Babbit et al.	F24B 1/205 126/29	D289,813 S *	5/1987	Jansson	D32/30
399,870 A *	3/1889	Gaskill	A47G 7/025 248/152	4,667,911 A *	5/1987	Farris	B65F 1/1415 248/101
478,913 A *	7/1892	Bratney	B65B 67/12 248/99	4,708,307 A *	11/1987	Daigle	B65B 67/12 248/95
561,857 A *	6/1896	Baxter	A47B 3/0815 248/439	4,759,518 A *	7/1988	Yardas	B65B 67/12 24/462
575,902 A *	1/1897	Nicholas	B65F 1/1415 248/97	4,889,300 A *	12/1989	Gibson	B65B 67/12 248/97
577,829 A *	2/1897	Brown	A47J 43/22 248/94	4,901,959 A *	2/1990	Stage	B65B 67/1205 220/4.24
D31,666 S *	10/1899	Steppe	D7/366	5,060,893 A *	10/1991	Halbert	B65B 67/12 248/97
779,924 A *	1/1905	Gommel	A01G 5/04 47/41.01	5,193,770 A *	3/1993	Kildare	B65B 67/1233 248/101
837,388 A *	12/1906	Curial	A47J 36/022 220/743	5,195,715 A *	3/1993	Cone	F16M 11/42 248/526
898,059 A *	9/1908	Miller	A47C 3/38 248/173	D335,983 S *	6/1993	Gutgsell	D6/708
910,938 A *	1/1909	Miller	A47C 3/38 248/173	D343,968 S *	2/1994	Emalfarb	D11/143
931,849 A *	8/1909	Dickinson	248/129	D360,947 S *	8/1995	Saks-Cohan	D24/158
1,304,405 A *	5/1919	Tate	F16M 11/00 248/150	5,472,220 A *	12/1995	Stephan	B62B 5/0083 280/79.11
1,342,807 A *	6/1920	Harrington	D06F 1/06 220/4.12	5,499,787 A *	3/1996	Bonomo	B65B 67/12 248/188
1,378,299 A *	5/1921	Wessels	A47J 36/34 248/173	D372,137 S *	7/1996	Hollinger	D6/403
D60,604 S *	3/1922	Bowdoin	D7/388	5,533,700 A *	7/1996	Porter	B60N 3/101 248/311.2
1,414,575 A *	5/1922	McCart	B65B 67/12 248/97	5,564,660 A *	10/1996	Gyor	B65B 67/12 248/97
1,495,245 A *	5/1924	Broughton	F16M 11/16 248/173	5,590,861 A *	1/1997	Ardolino	A47G 23/0216 248/146
D72,313 S *	3/1927	Flowers	D6/403	5,632,460 A *	5/1997	Strickland	F21V 21/06 248/146
D81,049 S *	4/1930	Burns	D6/403	D389,634 S *	1/1998	Shope	D34/6
1,830,769 A *	11/1931	Rothermel	A47G 7/025 248/154	D393,068 S *	3/1998	Isshiki	D24/158
2,203,632 A *	6/1940	Munson	A47B 13/06 248/146	5,738,314 A *	4/1998	Davis	B65B 67/1205 248/175
2,508,683 A *	5/1950	Nelson	B65F 1/141 248/146	5,797,567 A *	8/1998	Magnafici	B65B 67/1227 248/101
2,509,284 A *	5/1950	Allen	B65F 1/141 248/149	D410,347 S *	6/1999	Lu	D6/403
2,657,891 A *	11/1953	Van Haften	A47G 23/0216 248/146	D411,675 S *	6/1999	Chambliss	D34/5
2,715,005 A *	8/1955	Hildebrand	B65F 1/141 248/154	D425,327 S *	5/2000	Levesque	D6/403
3,253,812 A *	5/1966	Okazaki	B65B 67/12 248/97	D428,490 S *	7/2000	Postlethwaite	D24/158
3,298,650 A *	1/1967	Mann	A47G 7/025 248/154	6,116,549 A *	9/2000	Santa Cruz	B65B 67/12 248/97
3,756,548 A *	9/1973	Santarelli	B62B 1/26 248/98	6,199,802 B1 *	3/2001	Scheibe, Sr.	B65F 1/1415 248/101
3,771,752 A *	11/1973	Meeh	B65B 67/12 248/98	D449,179 S *	10/2001	Sellers	D6/403
3,834,725 A *	9/1974	Luoni	A47B 31/00 280/79.2	6,361,001 B1 *	3/2002	Durand	B01F 15/00681 248/146
3,866,872 A *	2/1975	Burgess	B65B 67/12 248/97	6,419,246 B1 *	7/2002	Neal	B62B 5/0083 280/47.34
3,893,699 A *	7/1975	Morris	B62B 3/106 280/659	D463,158 S *	9/2002	Lu	D6/403
3,958,785 A *	5/1976	Aboud	B65B 67/1238 248/101	6,454,225 B1 *	9/2002	Jaworski	A47G 7/025 248/153
4,032,097 A *	6/1977	Dwyer	A47J 36/16 248/146	6,517,035 B1 *	2/2003	Sellers	A47G 7/041 248/146
D250,685 S *	1/1979	Insalaco	D6/405	D484,715 S *	1/2004	Missry	D6/403
4,376,520 A *	3/1983	Wetherington	B65B 67/1233 248/150	D486,617 S *	2/2004	Binder	D34/6
4,398,690 A *	8/1983	Rutledge	F16M 11/38 108/28	6,725,970 B2 *	4/2004	Garofalo	A01M 31/02 182/115
D275,807 S *	10/1984	Peterson	D34/6	D492,998 S *	7/2004	Juni	D24/158
4,488,697 A *	12/1984	Garvey	B65F 1/1415 248/101	6,776,379 B2 *	8/2004	Sherer	B25H 3/02 248/150
D281,364 S *	11/1985	DiFede	D34/17	D497,494 S *	10/2004	Tseng	D6/403
4,562,983 A *	1/1986	Klefbeck	B65B 67/12 248/97	D504,789 S *	5/2005	Hayes	D6/403
				6,918,563 B2 *	7/2005	Tseng	A47J 36/34 108/116
				D558,877 S *	1/2008	Ogiwara	D24/158
				D563,555 S *	3/2008	Kasai	D24/158
				D570,484 S *	6/2008	Kaneko	D24/158
				7,472,727 B1 *	1/2009	Sherrard	B65B 67/04 141/10
				7,569,826 B2 *	8/2009	Uribe	A61B 6/037 250/363.01
				D612,501 S *	3/2010	Richenberger	D24/158

US D889,467 S

Page 3

7,671,340 B2 *	3/2010	Uribe	A61B 6/037 250/363.1	2002/0078624 A1*	6/2002	Saxon	A01G 17/04 47/42
7,845,656 B2 *	12/2010	Thompson	B25H 3/00 280/47.35	2008/0083162 A1*	4/2008	Vandyken	A47G 7/042 47/39
D630,904 S *	1/2011	Zeilinger	D7/601	2011/0290961 A1*	12/2011	Kamon, II	A47G 7/041 248/129
8,006,996 B1 *	8/2011	Johnston	B62B 3/008 280/651	2012/0068076 A1*	3/2012	Daghighian	A61B 6/037 250/363.03
D650,543 S *	12/2011	Smart	D34/6	2013/0062478 A1*	3/2013	Kamon, II	A01G 17/04 248/129
8,167,254 B2 *	5/2012	Hopkins	B65F 1/12 248/137	2018/0067043 A1*	3/2018	Koepl	G01V 8/005
8,215,497 B1 *	7/2012	Marchalonis	A63B 47/00 211/14				
D671,647 S *	11/2012	Boudier	D24/158				
D673,274 S *	12/2012	Wahlstrom	D24/158				
D676,716 S *	2/2013	Lalo	D7/619.1				
D677,387 S *	3/2013	Personnelli	D24/158				
D689,612 S *	9/2013	Braswell, Jr.	D24/158				
D691,388 S *	10/2013	Thomas	D6/403				
D701,959 S *	4/2014	Johnson	D24/158				
D701,960 S *	4/2014	Braswell, Jr.	D24/158				
8,757,718 B1 *	6/2014	Wloczewski	A47C 9/00 297/239				
8,766,074 B1 *	7/2014	Flores	G10D 13/02 84/421				
8,783,241 B1 *	7/2014	Sauter	F24C 1/16 126/25 A				
8,807,493 B2 *	8/2014	Kamon, II	A47G 7/041 248/129				
D724,943 S *	3/2015	Epstein	D9/435				
D725,779 S *	3/2015	Braswell, Jr.	D24/158				
D726,915 S *	4/2015	Braswell	D24/158				
D728,184 S *	4/2015	Hoggatt	D34/6				
9,033,291 B2 *	5/2015	Branham	B65B 67/1211 248/100				
9,060,469 B2 *	6/2015	Kamon, II	A01G 9/124				
D744,257 S *	12/2015	Fagan	A47G 7/041 D6/403				
D749,219 S *	2/2016	Ballsieper	D24/158				
9,572,307 B2 *	2/2017	Mermelstein	A01G 9/12				
9,625,085 B1 *	4/2017	Jones	B25H 1/08				
9,834,376 B1 *	12/2017	Stravitz	B65F 1/06				
D815,384 S *	4/2018	Stravitz	D34/6				
10,120,100 B2 *	11/2018	Koepl	G01V 8/10				
D836,936 S *	1/2019	Jeppson	D6/403				
10,351,338 B1 *	7/2019	Tyle	B65F 1/141				

* cited by examiner

Primary Examiner — Susan Moon Lee
(74) *Attorney, Agent, or Firm* — Muncy, Geissler, Olds & Lowe, P.C.

(57) CLAIM

I claim the ornamental design for a body scanner, as shown and described.

DESCRIPTION

FIG. 1 is a perspective view of a body scanner showing my new design;
FIG. 2 is a top view thereof;
FIG. 3 is a bottom view thereof;
FIG. 4 is a front view thereof;
FIG. 5 is a back view thereof;
FIG. 6 is a left side view thereof; and
FIG. 7 is a right side view thereof; and,
FIG. 8 is a top perspective view thereof.
The broken lines depict exemplary environmental components for purposes of illustration and form no part of the design claim.
No particular colour scheme forms part of the claimed design.

1 Claim, 8 Drawing Sheets

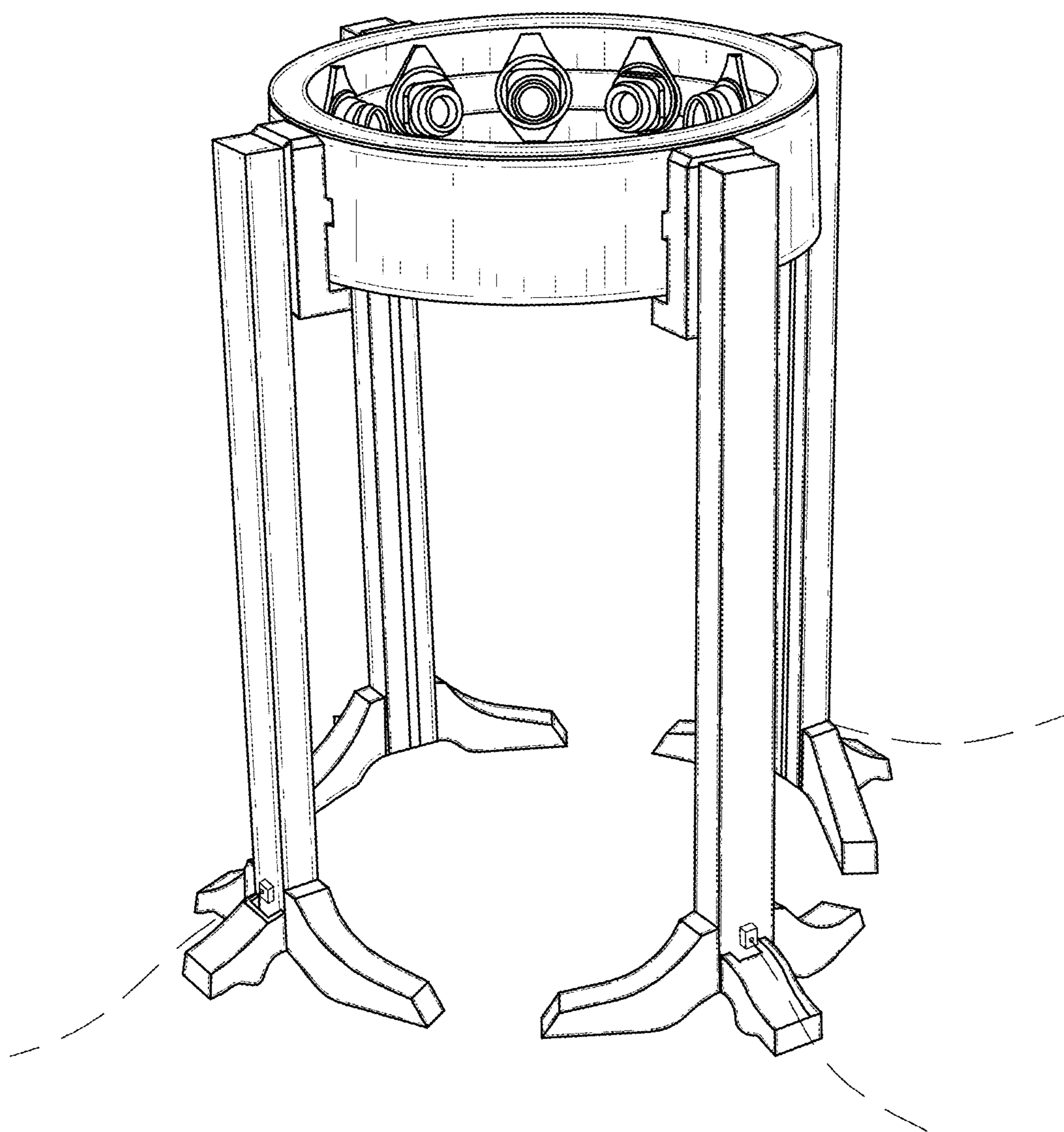


FIG. 1

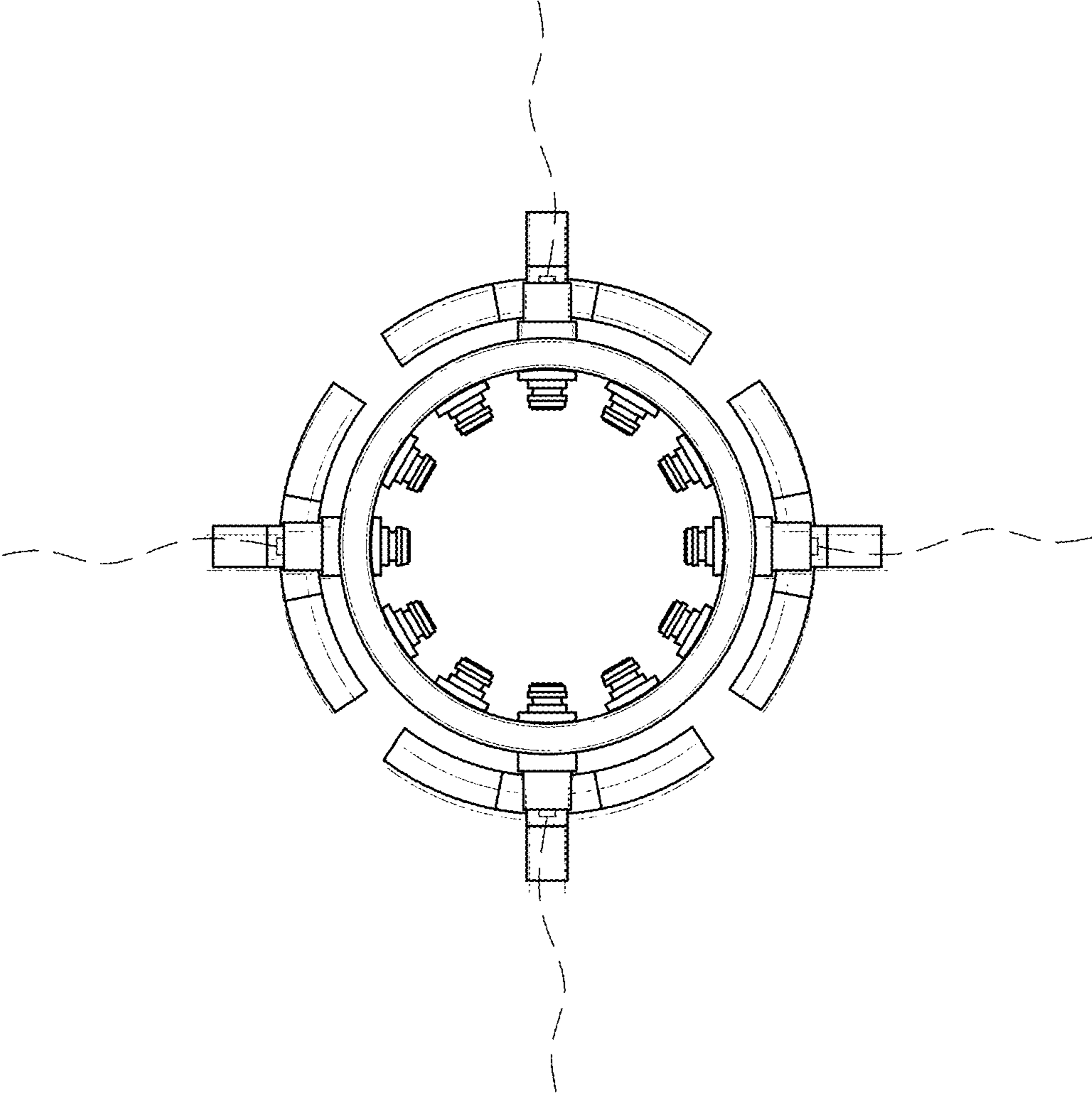


FIG. 2

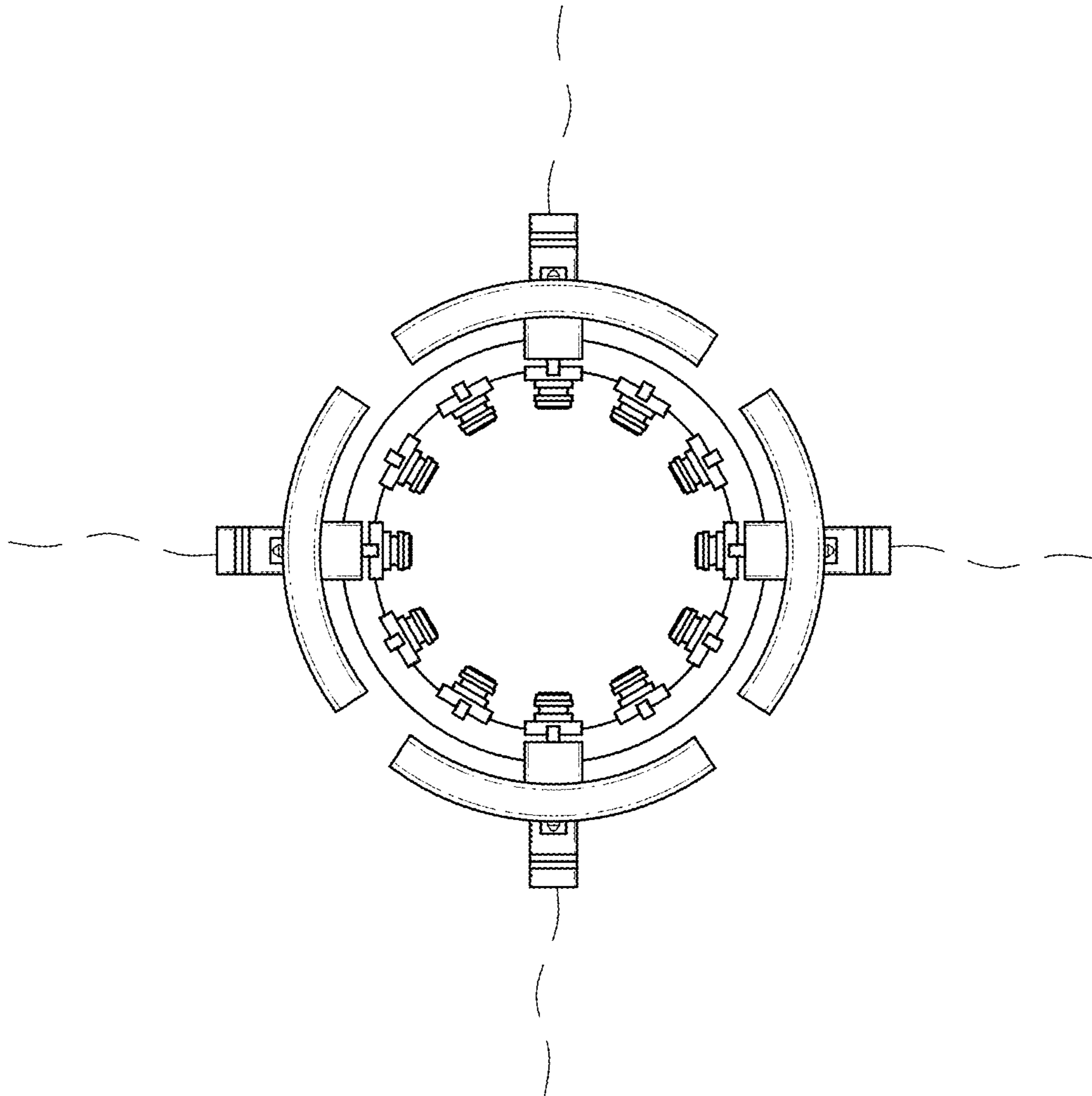


FIG. 3

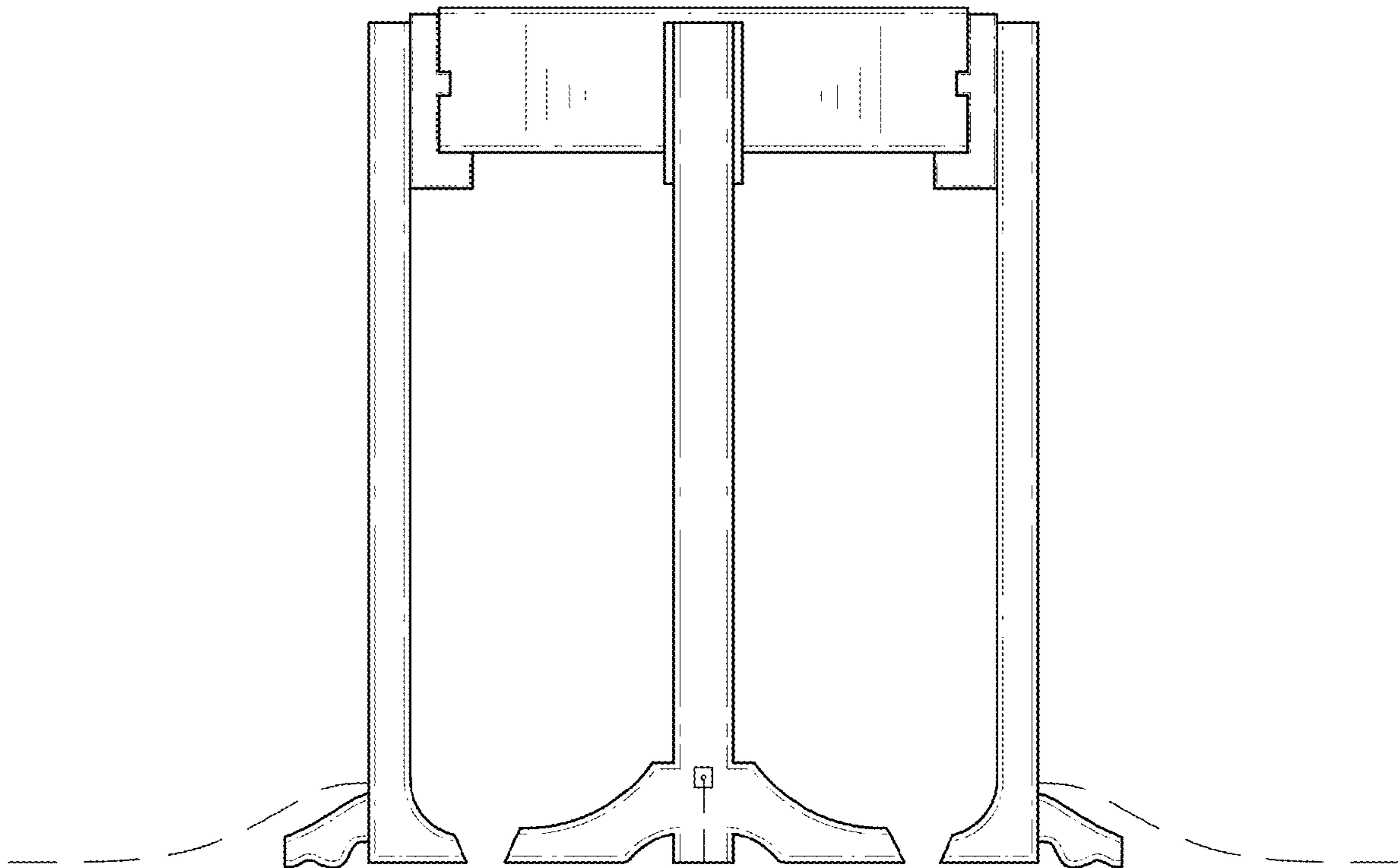


FIG. 4

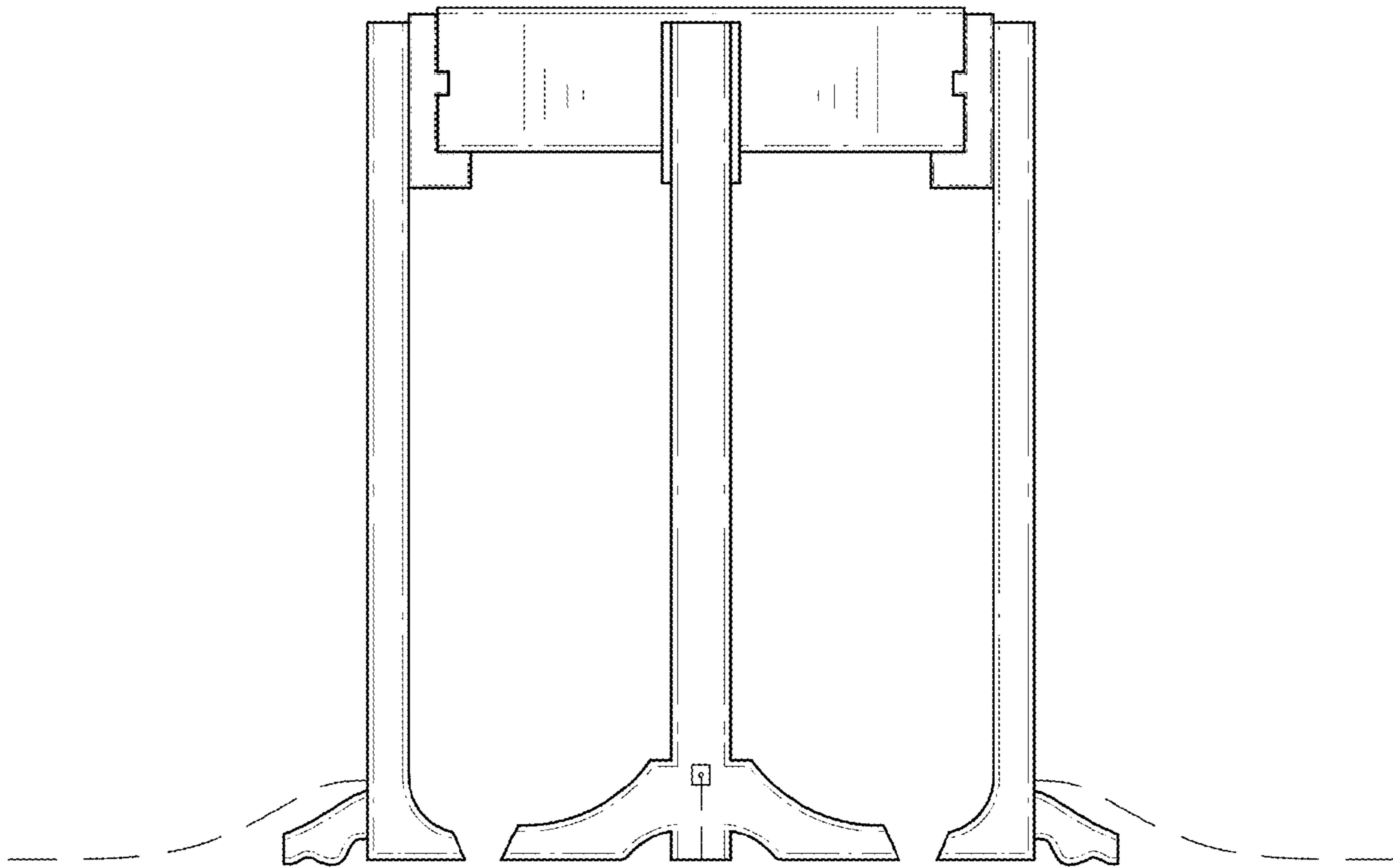


FIG. 5

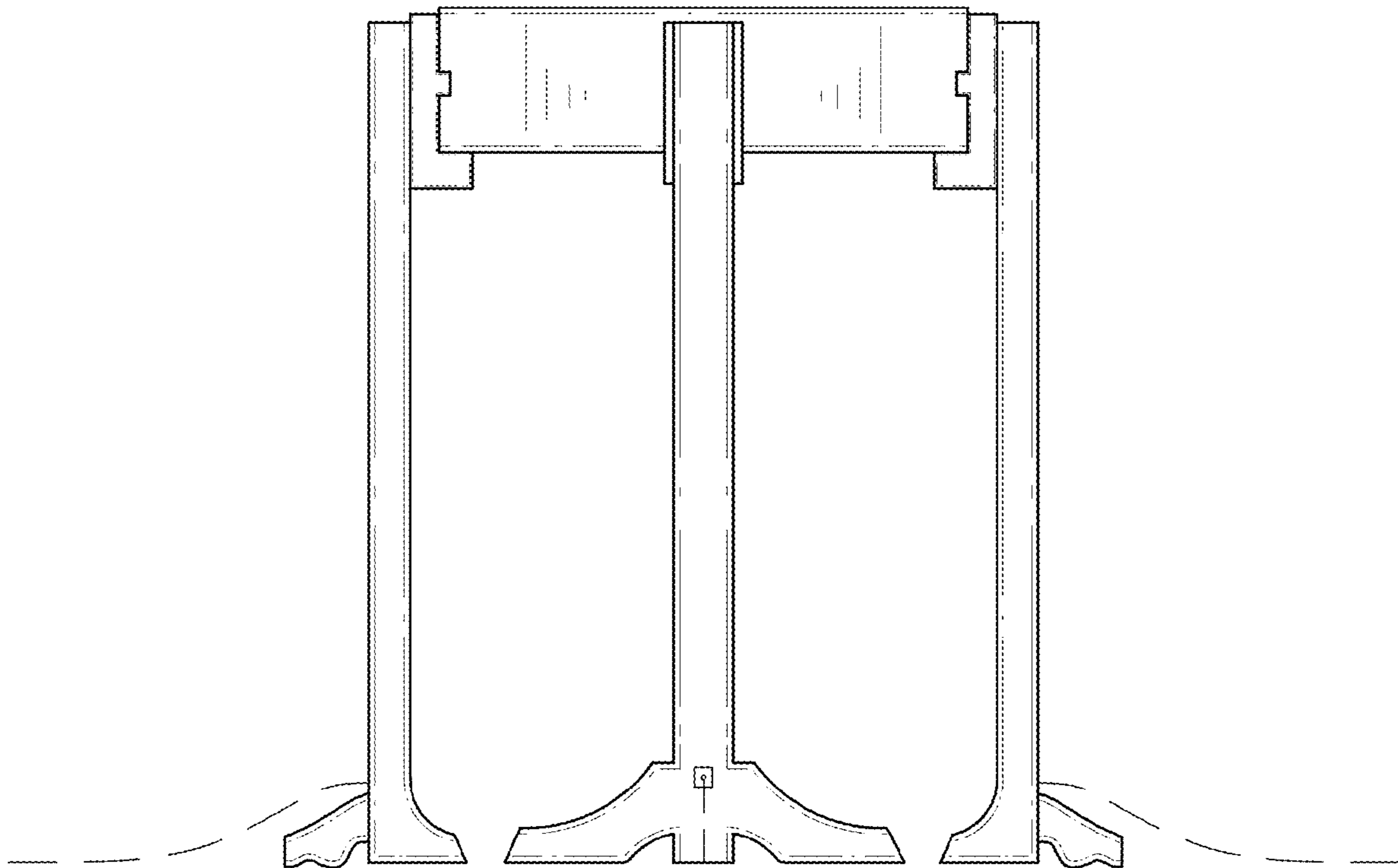


FIG. 6

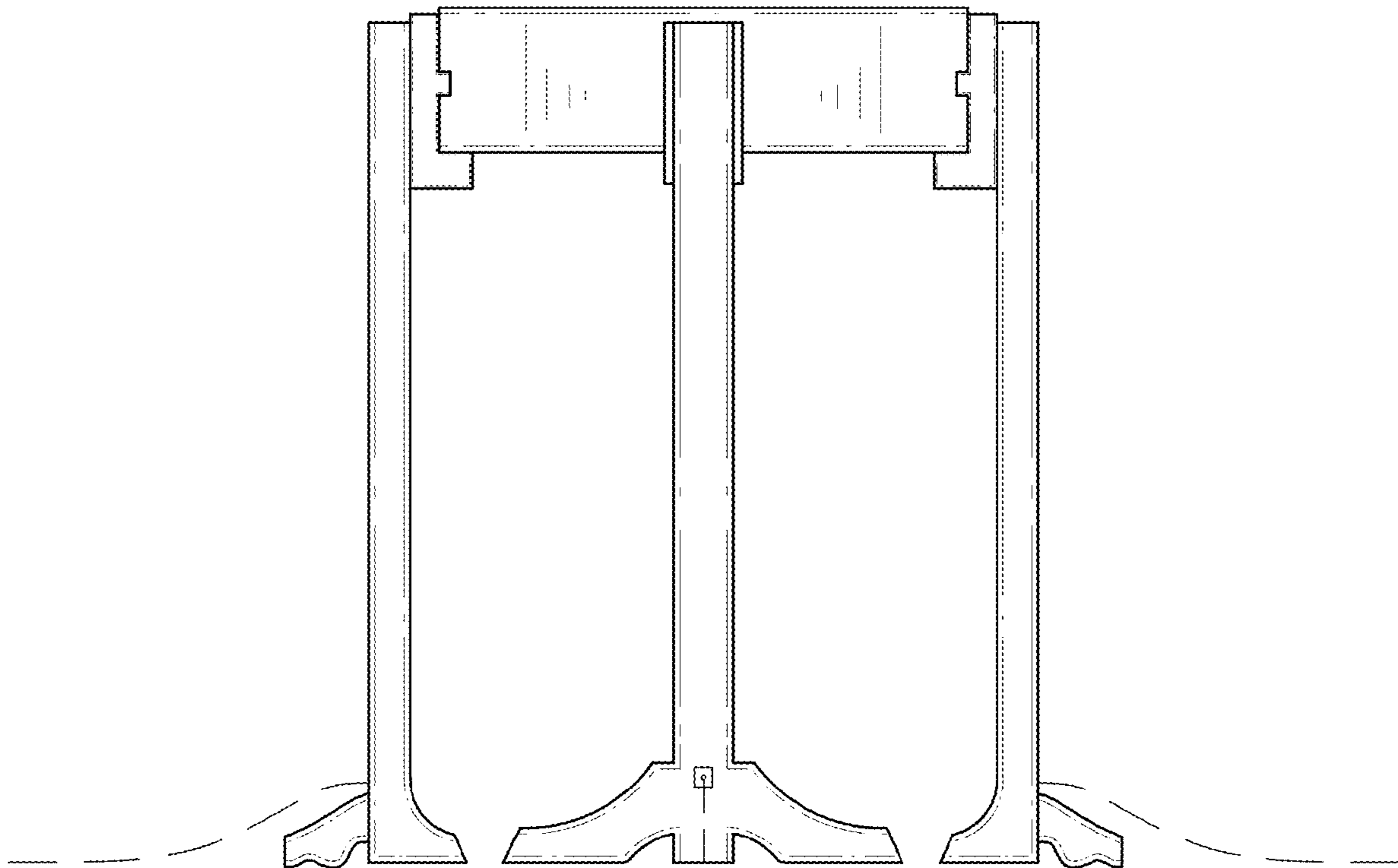


FIG. 7

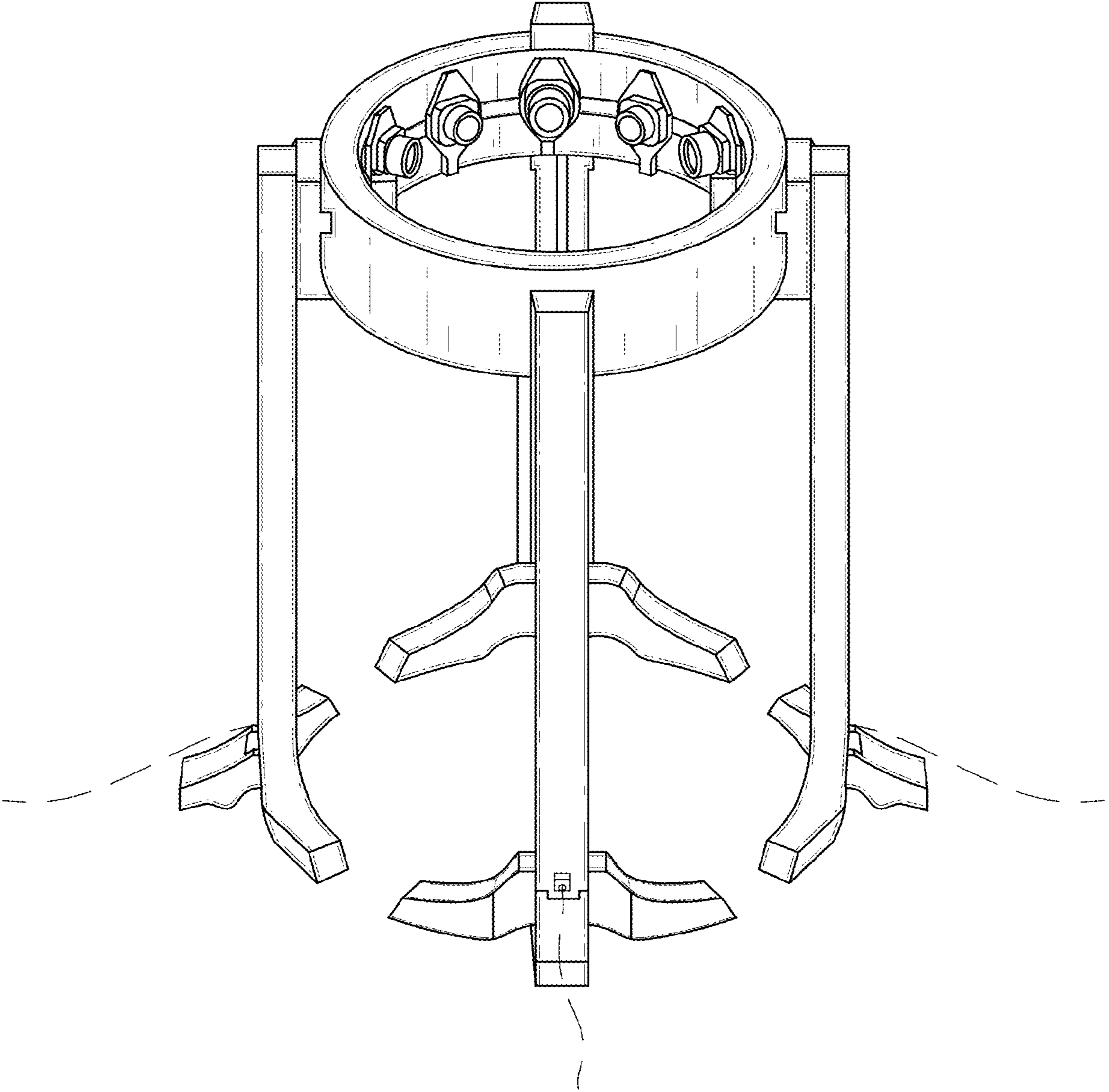


FIG. 8