



US00D889463S

(12) **United States Design Patent**
Hu

(10) **Patent No.:** **US D889,463 S**

(45) **Date of Patent:** **** Jul. 7, 2020**

(54) **HEADSET**

(71) Applicant: **HoloKit, Inc.**, Palo Alto, CA (US)

(72) Inventor: **Botao Hu**, Palo Alto, CA (US)

(73) Assignee: **HoloKit, Inc.**, Palo Alto, CA (US)

(**) Term: **15 Years**

(21) Appl. No.: **29/693,711**

(22) Filed: **Jun. 4, 2019**

Related U.S. Application Data

(63) Continuation of application No. 29/693,709, filed on Jun. 4, 2019.

(51) **LOC (12) Cl.** **14-02**

(52) **U.S. Cl.**
USPC **D14/372**

(58) **Field of Classification Search**
USPC D14/372, 496, 432, 371, 125, 126, 129,
D14/299; D16/300-342; 351/158, 153,
351/144; 345/7-9, 905; 455/344;
348/115, 53, 121, 739
CPC G02B 27/017; G02B 27/0158; G02B
27/0161; G02B 27/0181; G02B 27/0185;
G02B 27/0189

See application file for complete search history.

(56) **References Cited**

U.S. PATENT DOCUMENTS

D807,357 S *	1/2018	Wu	D14/372
D819,637 S *	6/2018	Chen	D14/372
D859,403 S *	9/2019	Reed	D14/372
D861,680 S *	10/2019	Chou	D14/372
D865,763 S *	11/2019	Lau	D14/372
D867,362 S *	11/2019	Chou	D14/372
D872,079 S *	1/2020	Huang	D14/372

D872,082 S *	1/2020	Denhez	D14/372
D874,459 S *	2/2020	Limaye	D14/372
D880,476 S *	4/2020	Chen	D14/372
D881,878 S *	4/2020	Lau	D14/372
D881,881 S *	4/2020	Reed	D14/372
D882,568 S *	4/2020	Park	D14/372

* cited by examiner

Primary Examiner — Austin Murphy

(57) **CLAIM**

I claim the ornamental design for a headset, substantially as shown and described.

DESCRIPTION

A portion of the disclosure of this patent document contains material to which a claim for copyright is made. The copyright owner has no objection to the facsimile reproduction by anyone of the patent document or the patent disclosure, as it appears in the Patent and Trademark Office patent file, but reserves all other copyright rights whatsoever.

FIG. 1 is a perspective view of a headset showing my new design viewed from rear bottom left;

FIG. 2 is perspective of FIG. 1 view viewed from rear top left;

FIG. 3 is a rear view thereof;

FIG. 4 is a bottom view thereof;

FIG. 5 is perspective view thereof viewed from front bottom left;

FIG. 6 is a perspective view thereof viewed from front top left;

FIG. 7 is a front view thereof;

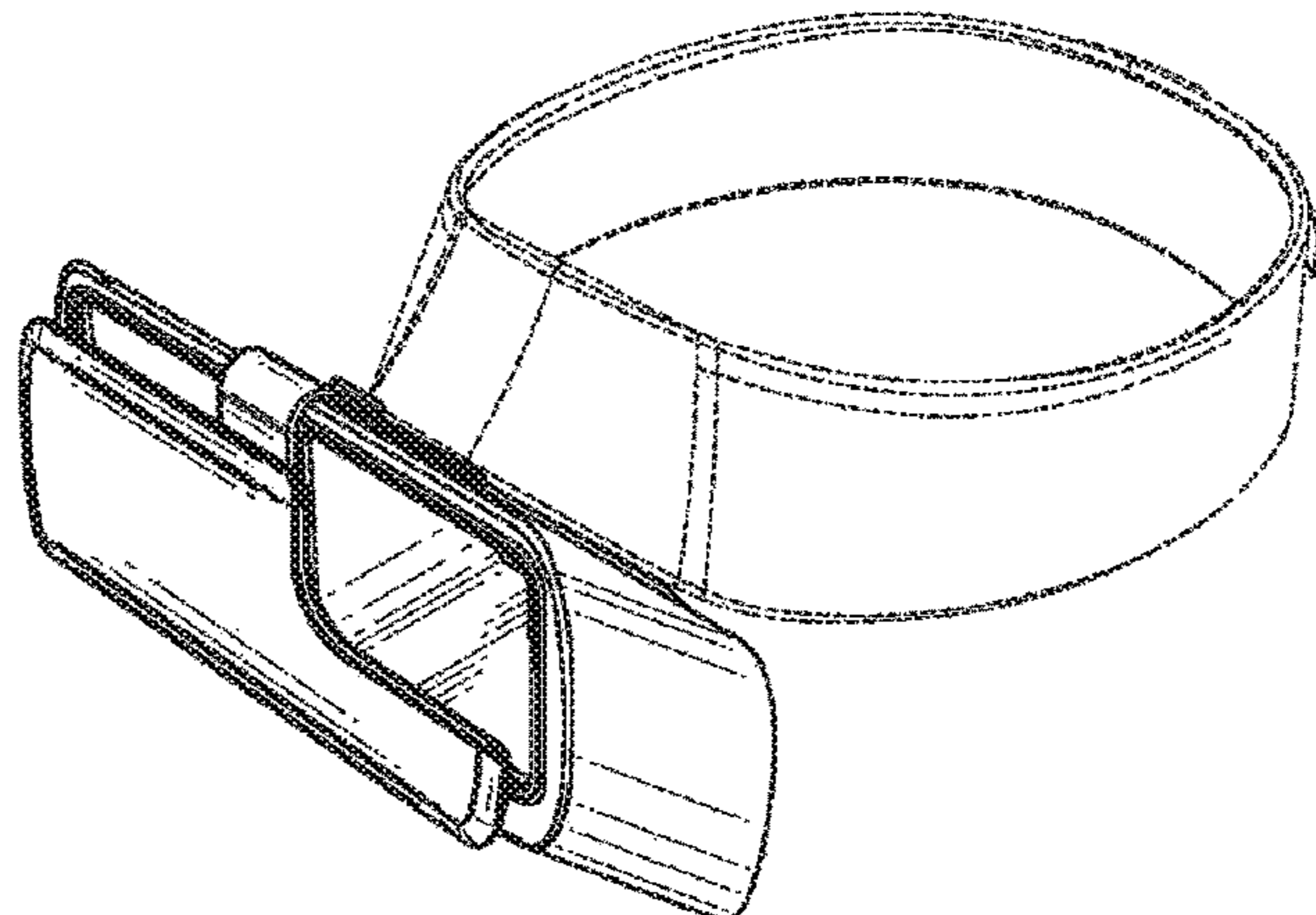
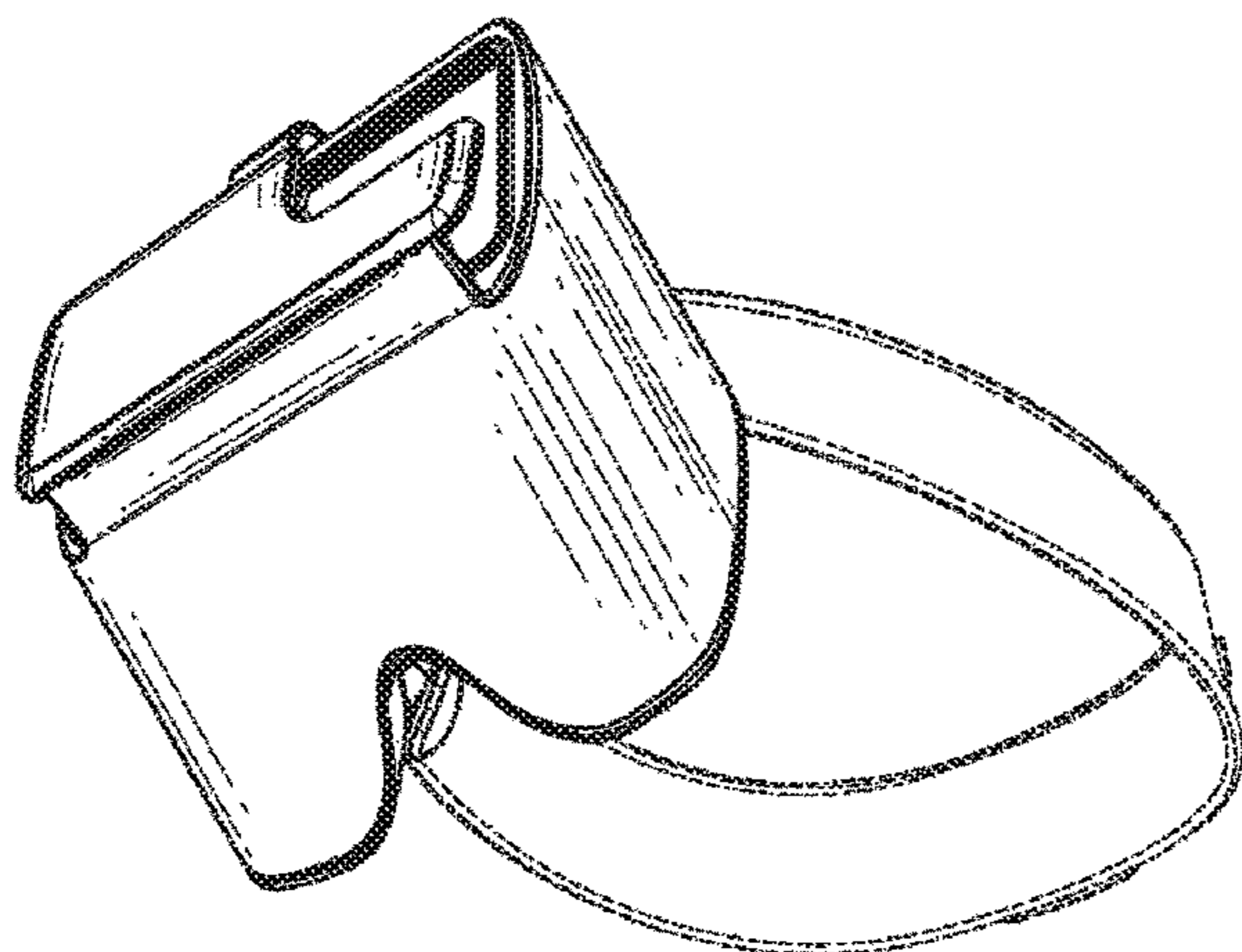
FIG. 8 is a left side view thereof;

FIG. 9 is a right side view thereof; and,

FIG. 10 is a top view thereof.

The features shown in broken lines in the various Figures are for illustrating environmental structure and form no part of the claimed design.

1 Claim, 10 Drawing Sheets



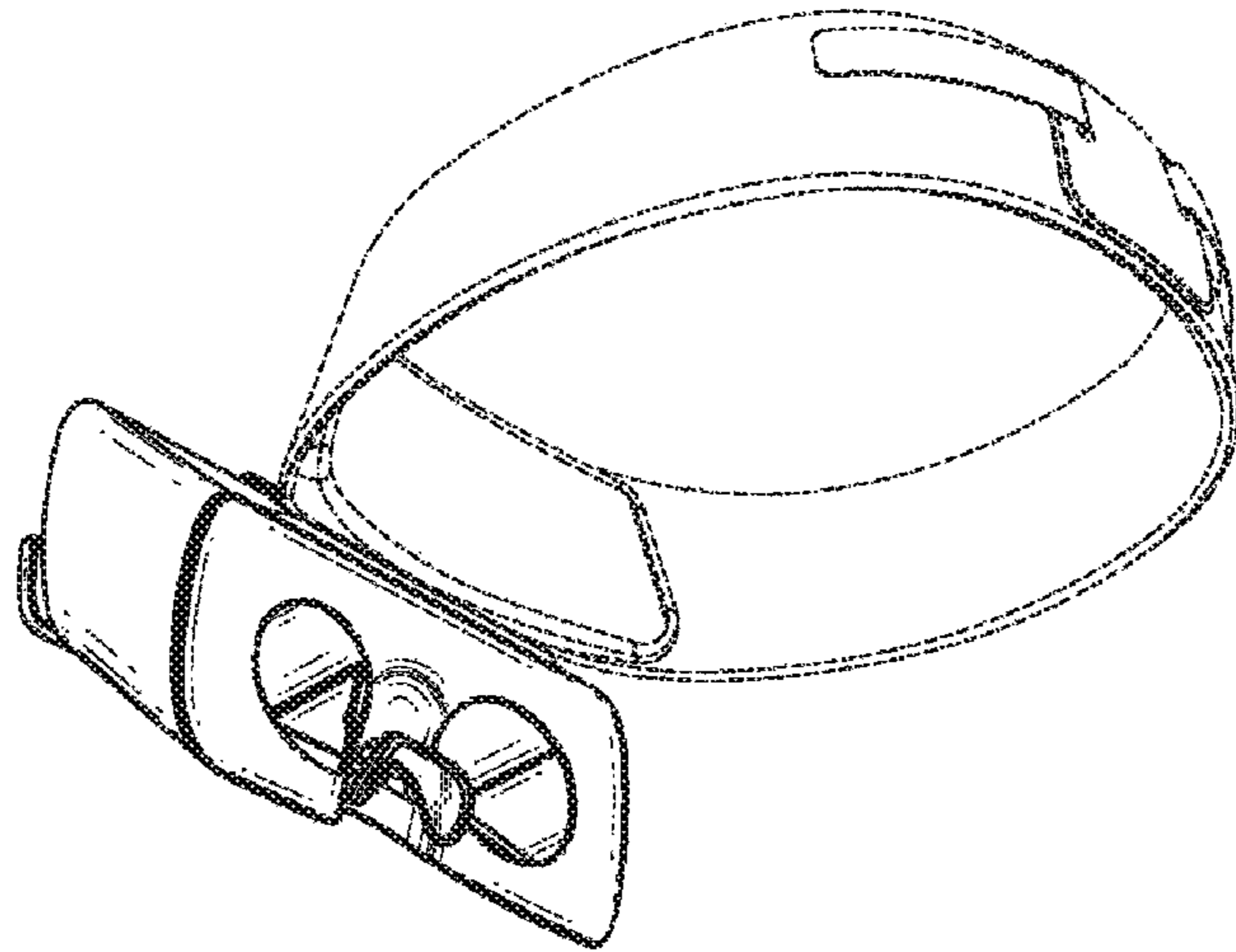


FIG. 1

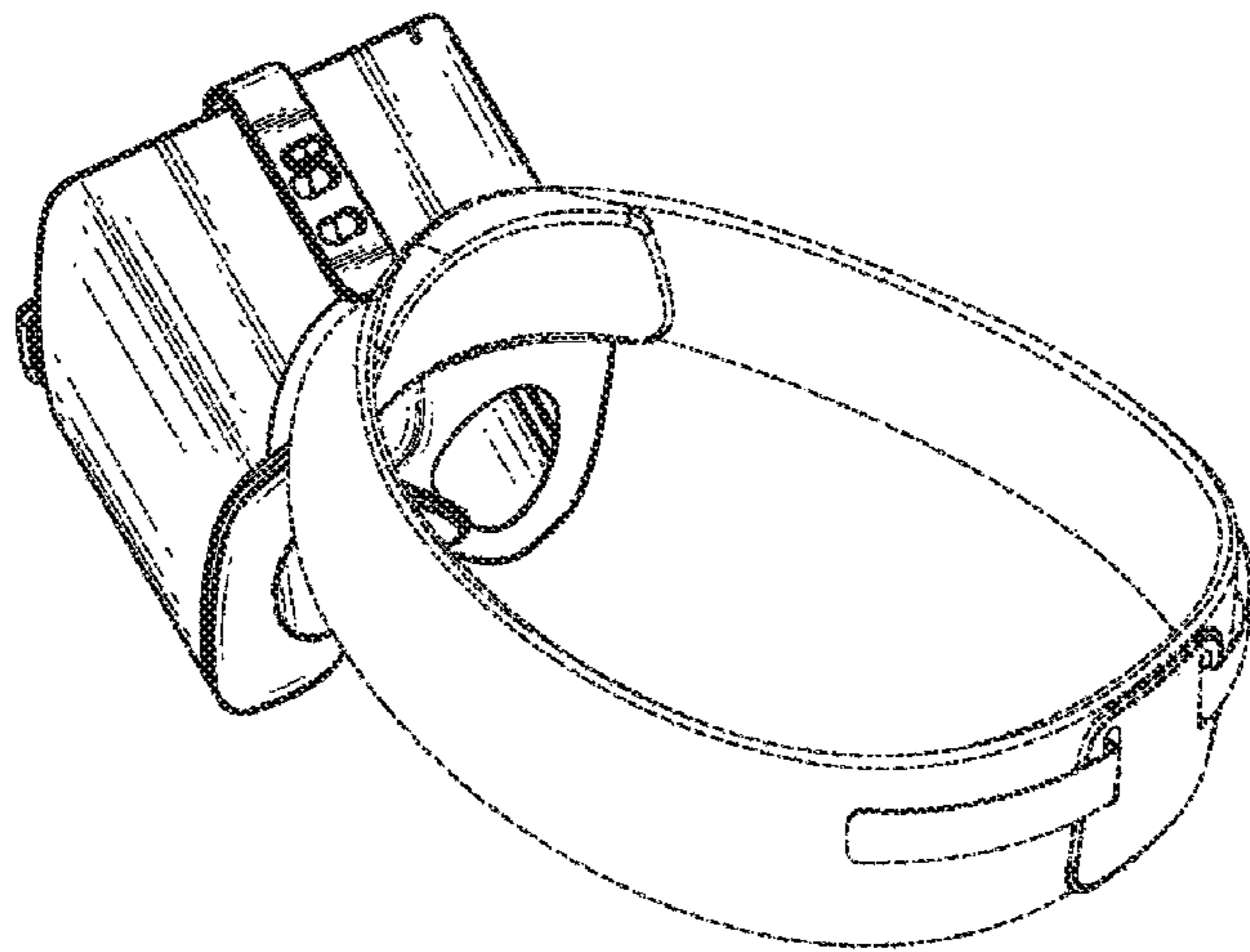


FIG. 2

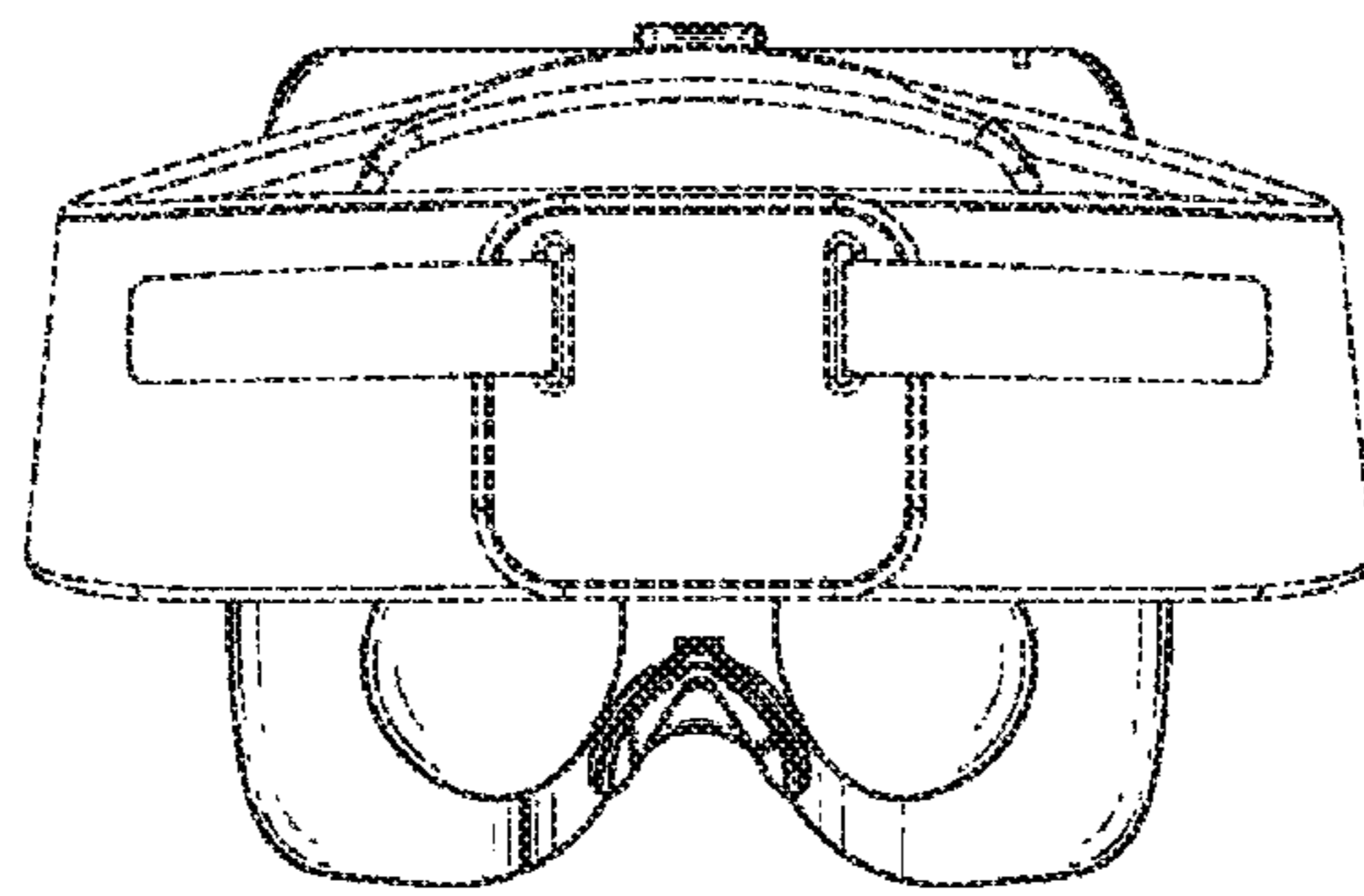


FIG. 3

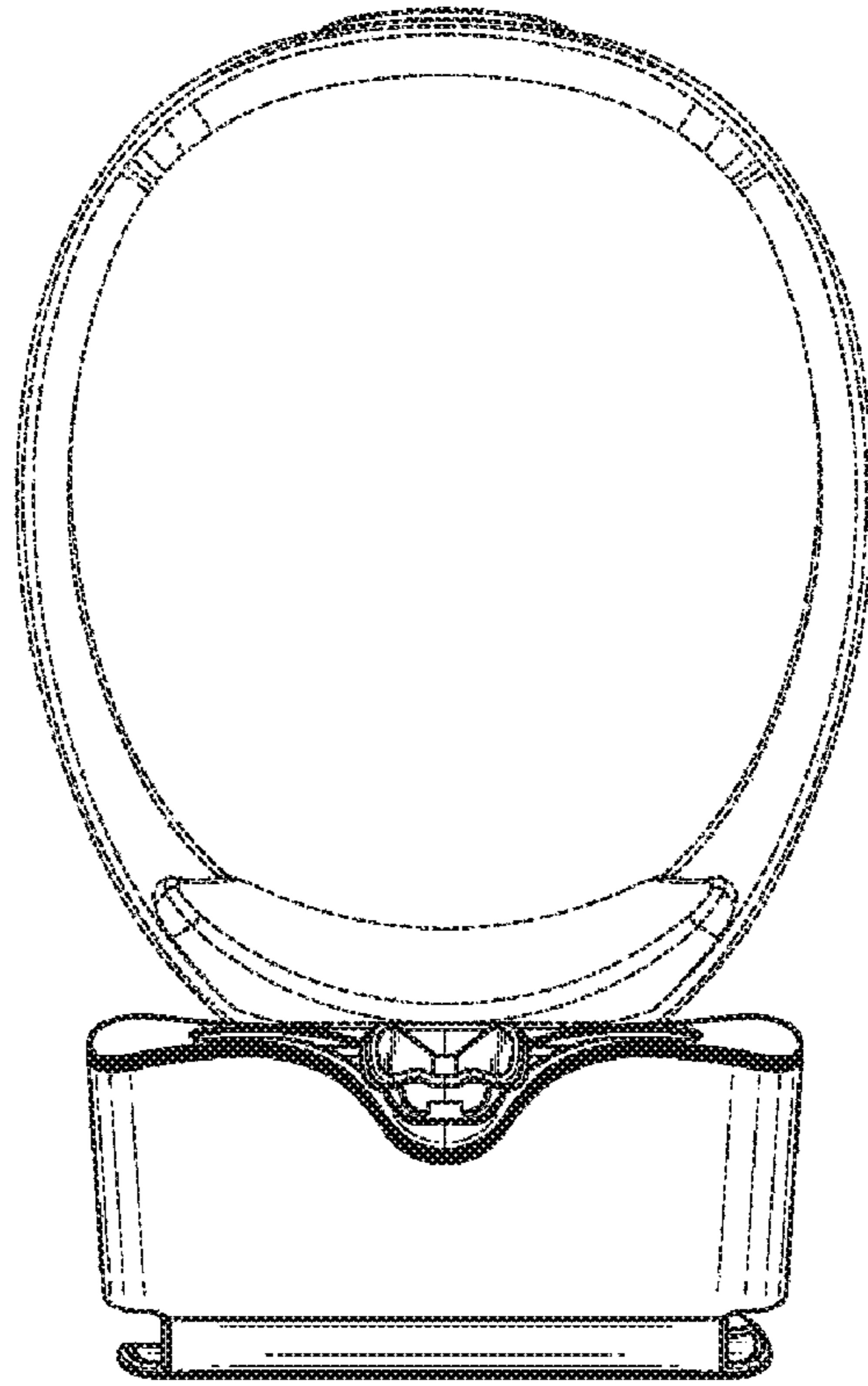


FIG. 4

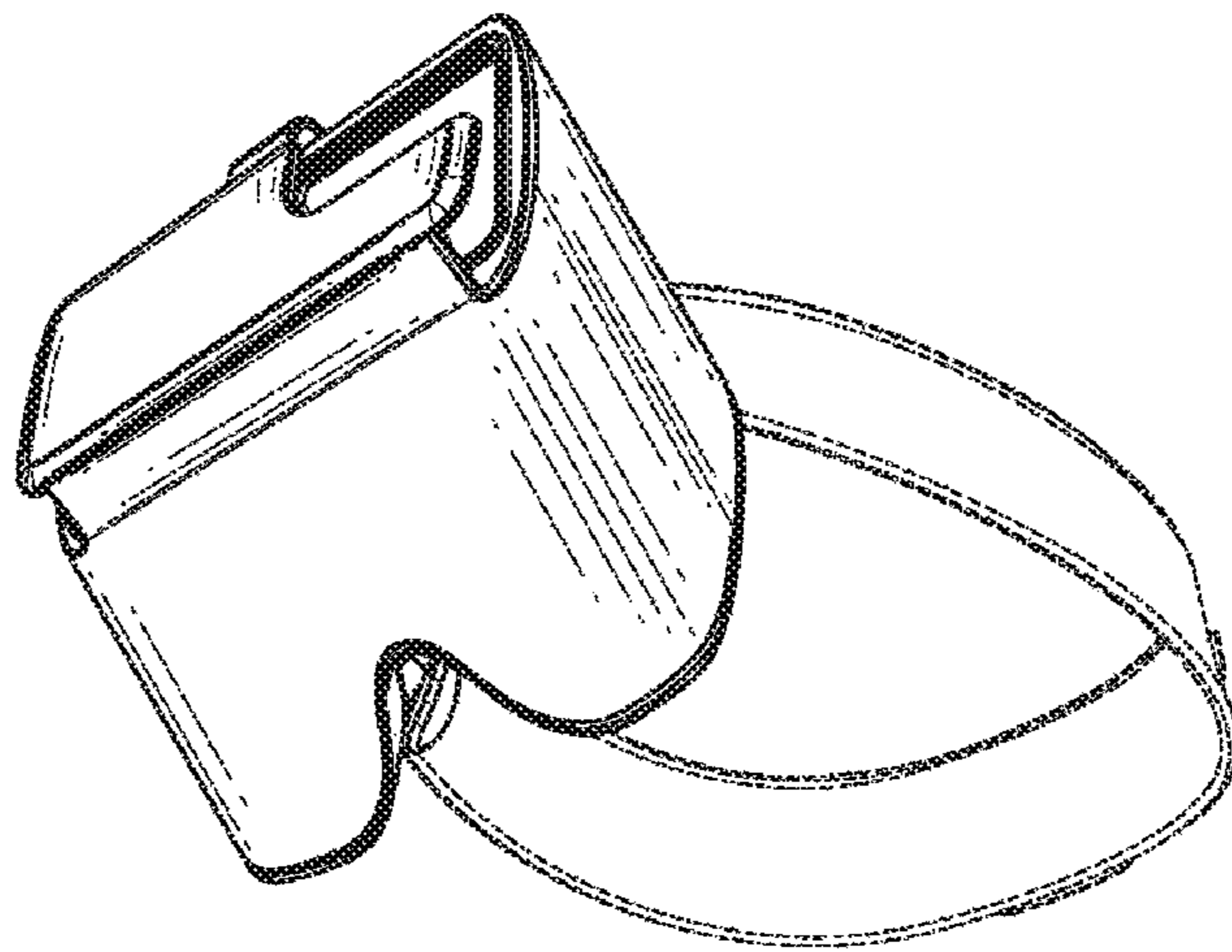


FIG. 5

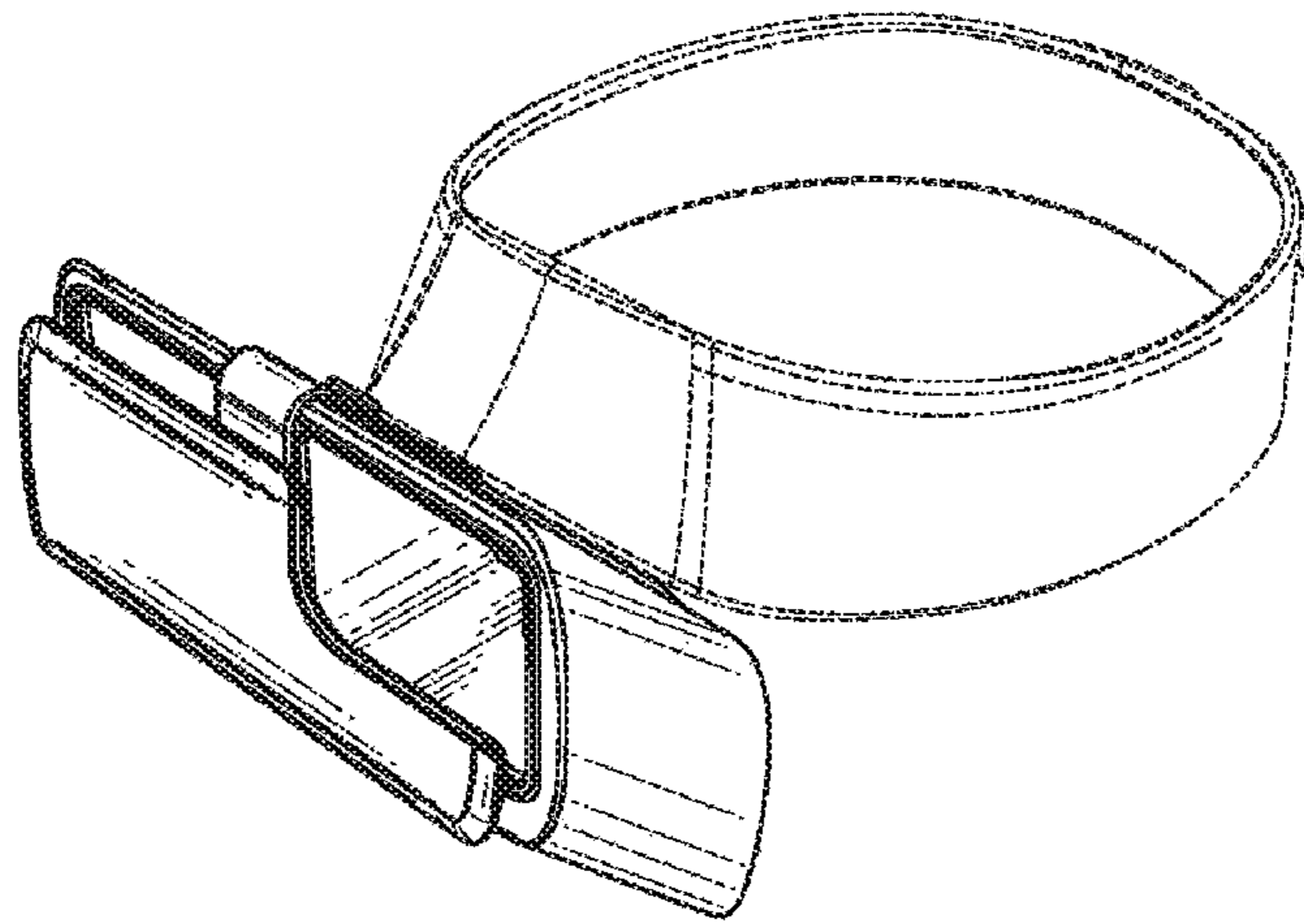


FIG. 6

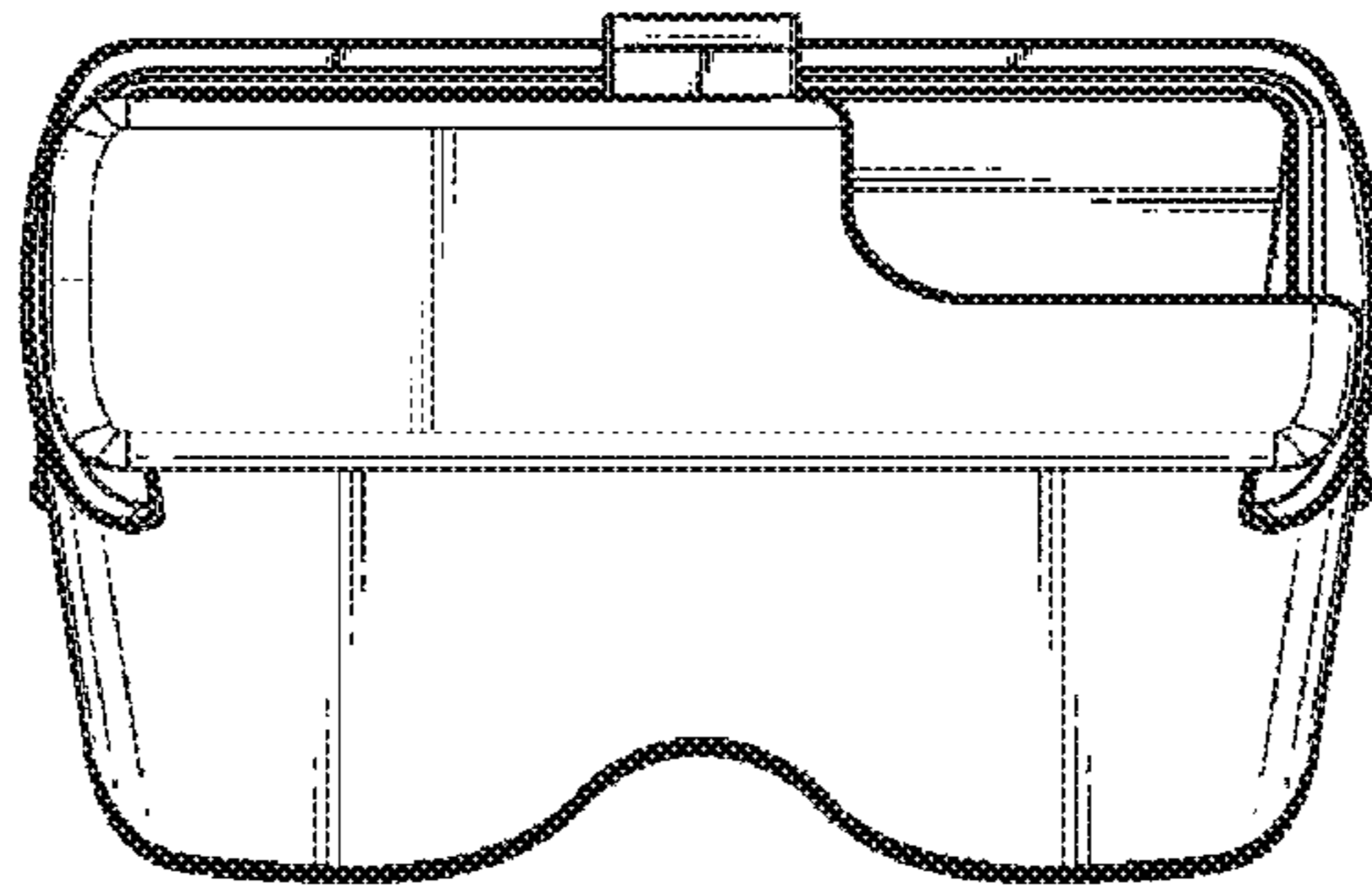


FIG. 7

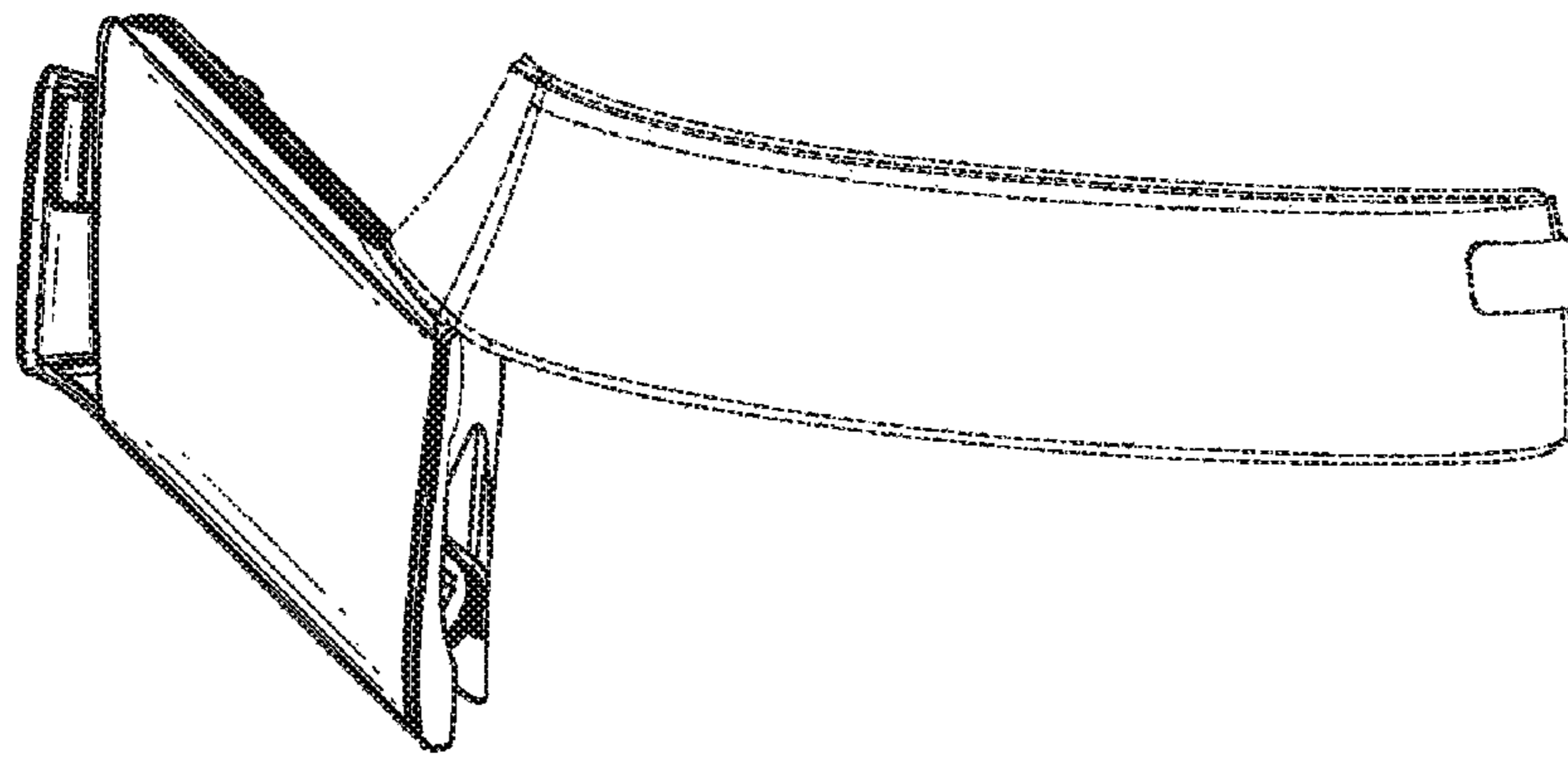


FIG. 8

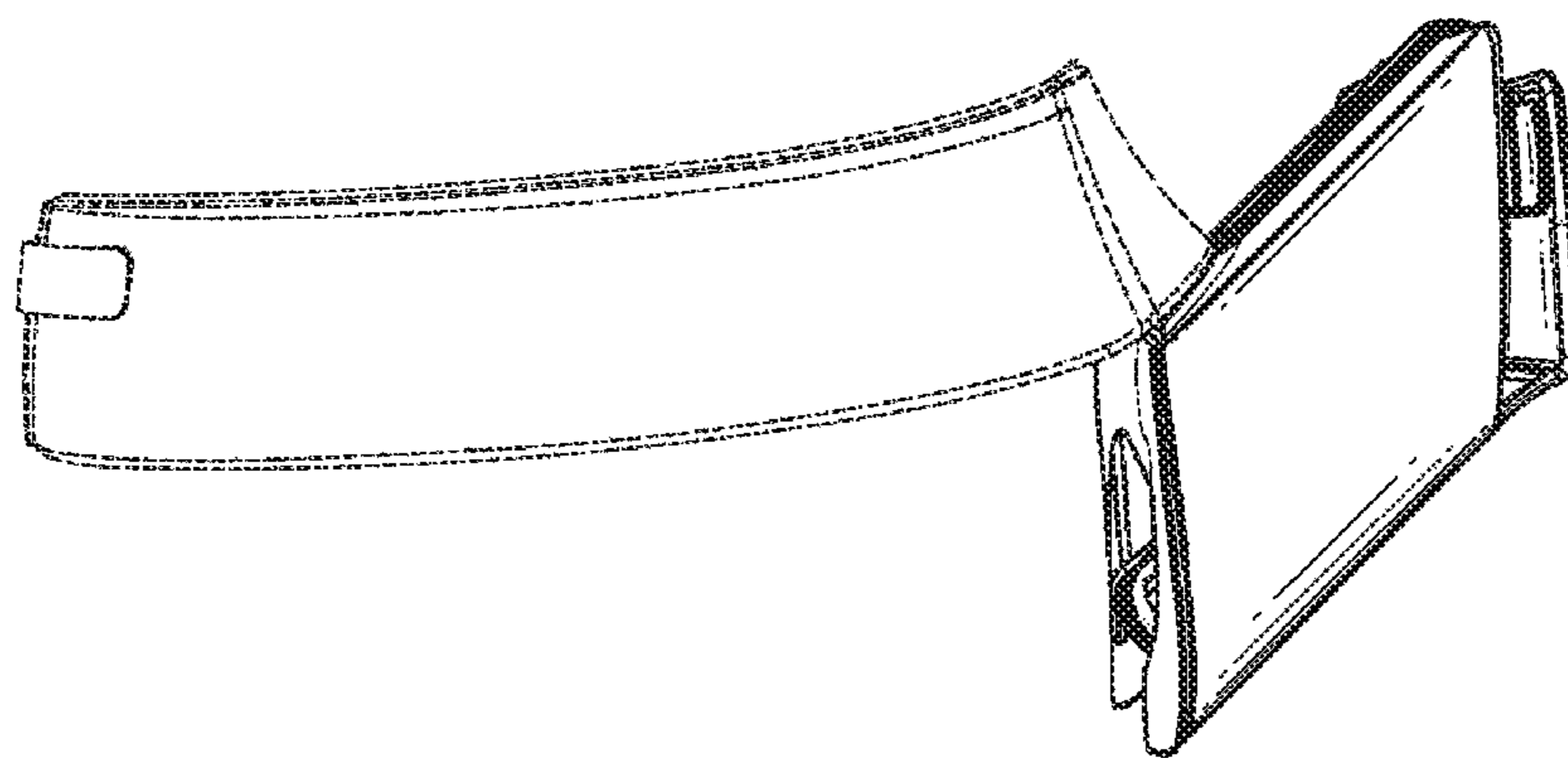


FIG. 9

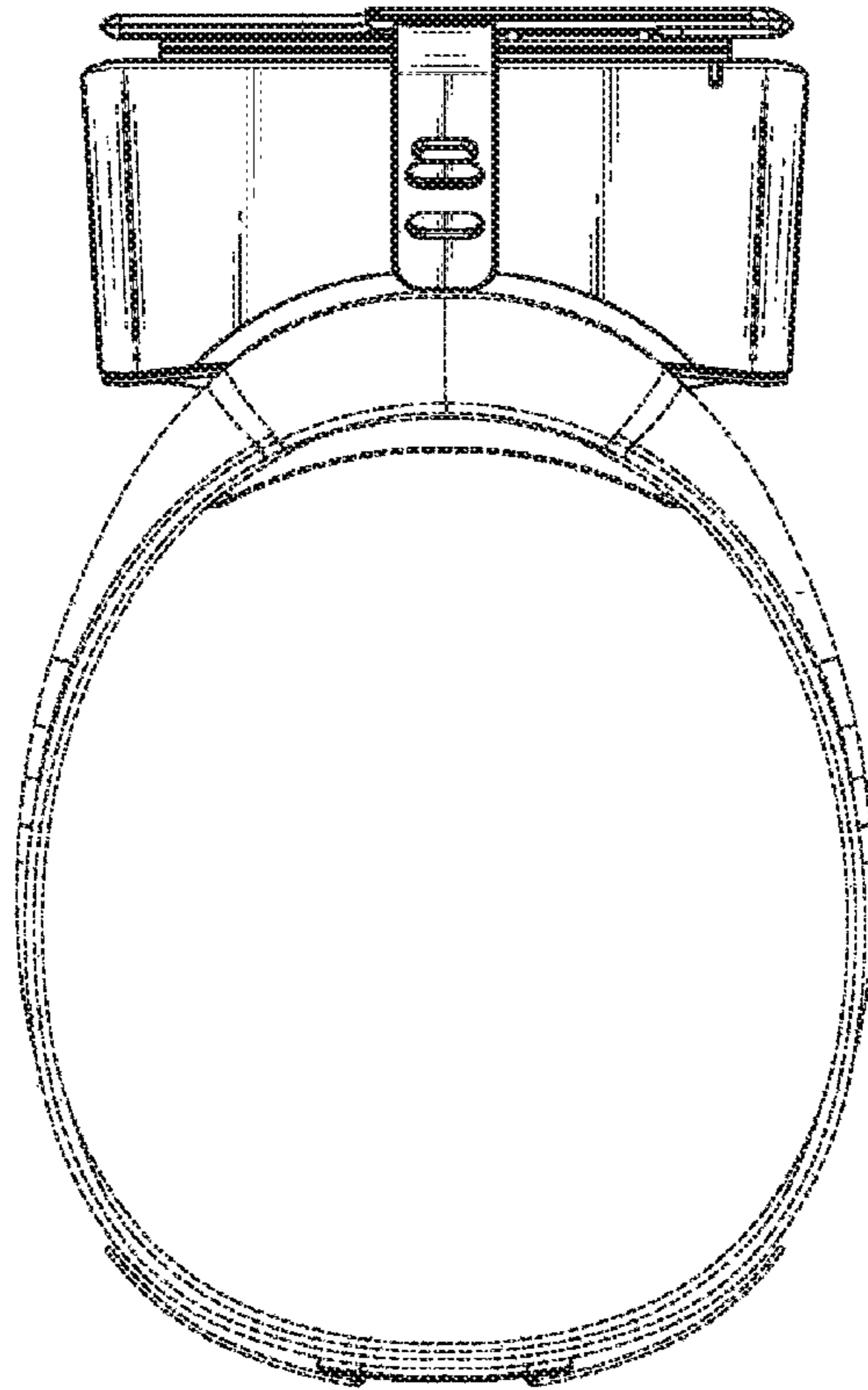


FIG. 10