



US00D889460S

(12) **United States Design Patent** (10) **Patent No.:** **US D889,460 S**
Tinius (45) **Date of Patent:** **** Jul. 7, 2020**

(54) **SMART CONNECTOR**
(71) Applicant: **Andreas Stihl AG & Co. KG,**
Waiblingen (DE)
(72) Inventor: **Michael Tinius,** Ulm (DE)
(73) Assignee: **Andreas Stihl AG & Co. KG,**
Waiblingen (DE)

D826,858 S * 8/2018 Little D13/137.2
D826,859 S * 8/2018 Little D13/137.2
D868,067 S * 11/2019 Guarniere D14/432
D868,693 S * 12/2019 Bailey D13/133
D869,463 S * 12/2019 Gagne-Keats D14/358
2014/0250699 A1* 9/2014 Weimer A01D 34/4166
30/347

(**) Term: **15 Years**
(21) Appl. No.: **29/644,874**
(22) Filed: **Apr. 20, 2018**

(30) **Foreign Application Priority Data**
Oct. 20, 2017 (EM) 004414753
(51) **LOC (12) Cl.** **14-02**
(52) **U.S. Cl.**
USPC **D14/358**
(58) **Field of Classification Search**
USPC D13/123, 133, 137.1, 137.2, 146, 152,
D13/154, 156, 160, 199; D14/168, 217,
D14/299, 300, 358, 361, 363, 432, 433,
D14/435, 435.1, 441, 474, 480.1
CPC G04G 19/00; H04W 4/38; A61B 5/0205;
A61B 5/1112; A61B 5/118; A61B 5/486;
A61B 5/681; A61B 5/024
See application file for complete search history.

(56) **References Cited**
U.S. PATENT DOCUMENTS
D372,459 S * 8/1996 Tiberio, Jr. D13/146
D374,212 S * 10/1996 Fukao D13/146
D476,376 S * 6/2003 Wintersteiger D14/432
D678,285 S * 3/2013 Chen D14/433
D727,116 S * 4/2015 Tinius D15/17
D727,695 S * 4/2015 Tinius D15/17
D785,420 S * 5/2017 Tinius D8/8
D796,513 S * 9/2017 Feldstein D14/433

OTHER PUBLICATIONS

Youtube. STIHL France—STIHL connected. Apr. 19, 2019. <https://www.youtube.com/watch?v=lyer85ay9FA> (Year: 2019).*
STIHL. STIHL Smart Connector. No date specified. <https://www.stihl.com/STIHL-power-tools-A-great-range/Smart-solutions/287476-95570/STIHL-Smart-Connector.aspx> (Year: 0).*

* cited by examiner

Primary Examiner — Darcey E Gottschalk
(74) *Attorney, Agent, or Firm* — McGuireWoods LLP

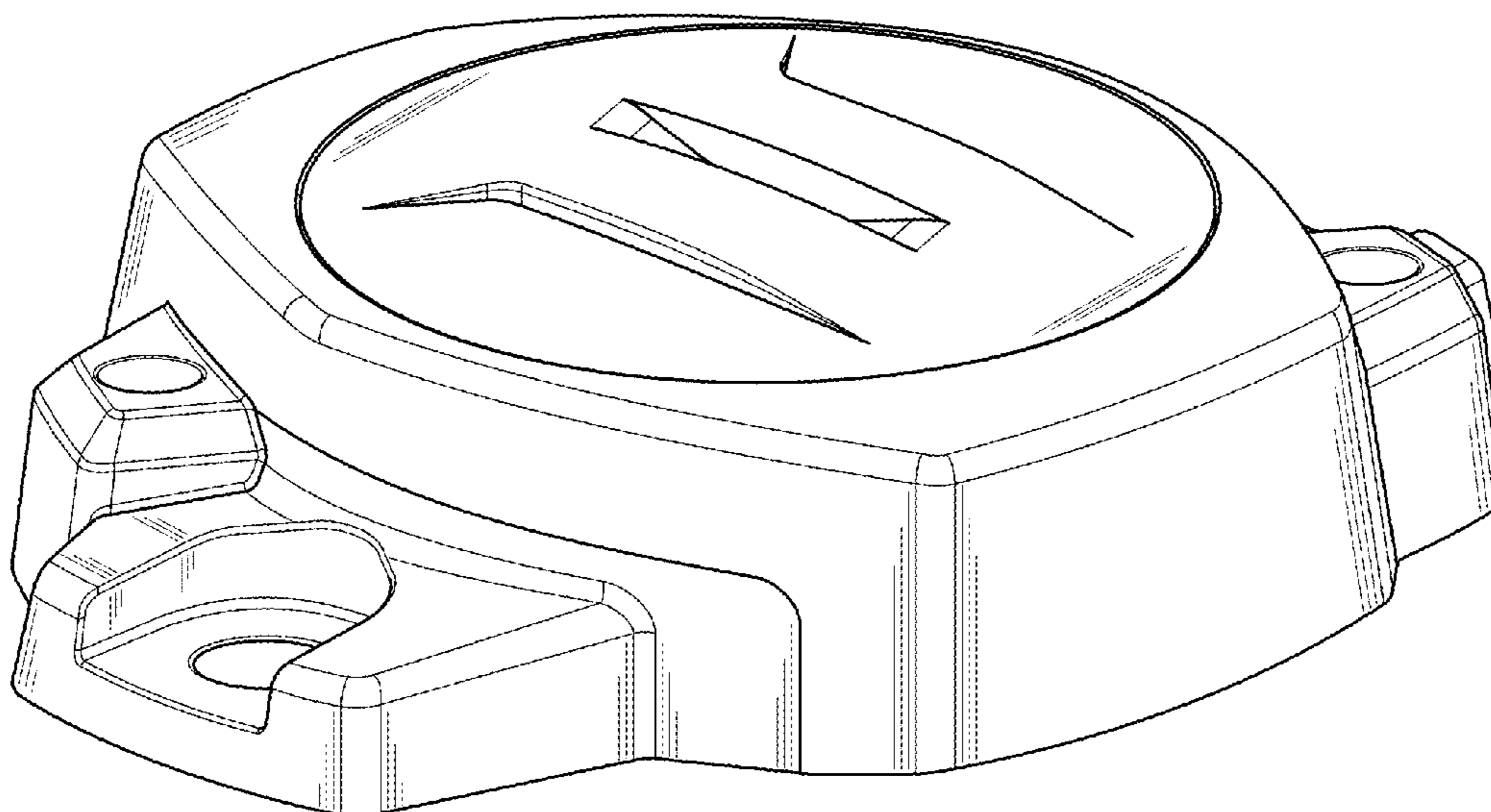
(57) **CLAIM**

I claim the ornamental design for a smart connector, as shown and described.

DESCRIPTION

FIG. 1 is a right side perspective view of the smart connector;
FIG. 2 is a front view of the smart connector shown in FIG. 1;
FIG. 3 is a rear view of the smart connector shown in FIG. 1;
FIG. 4 is a bottom view of the smart connector shown in FIG. 1;
FIG. 5 is a top view of the smart connector shown in FIG. 1;
FIG. 6 is a right side view of the smart connector shown in FIG. 1; and,
FIG. 7 is a left side view of the smart connector shown in FIG. 1.

1 Claim, 7 Drawing Sheets



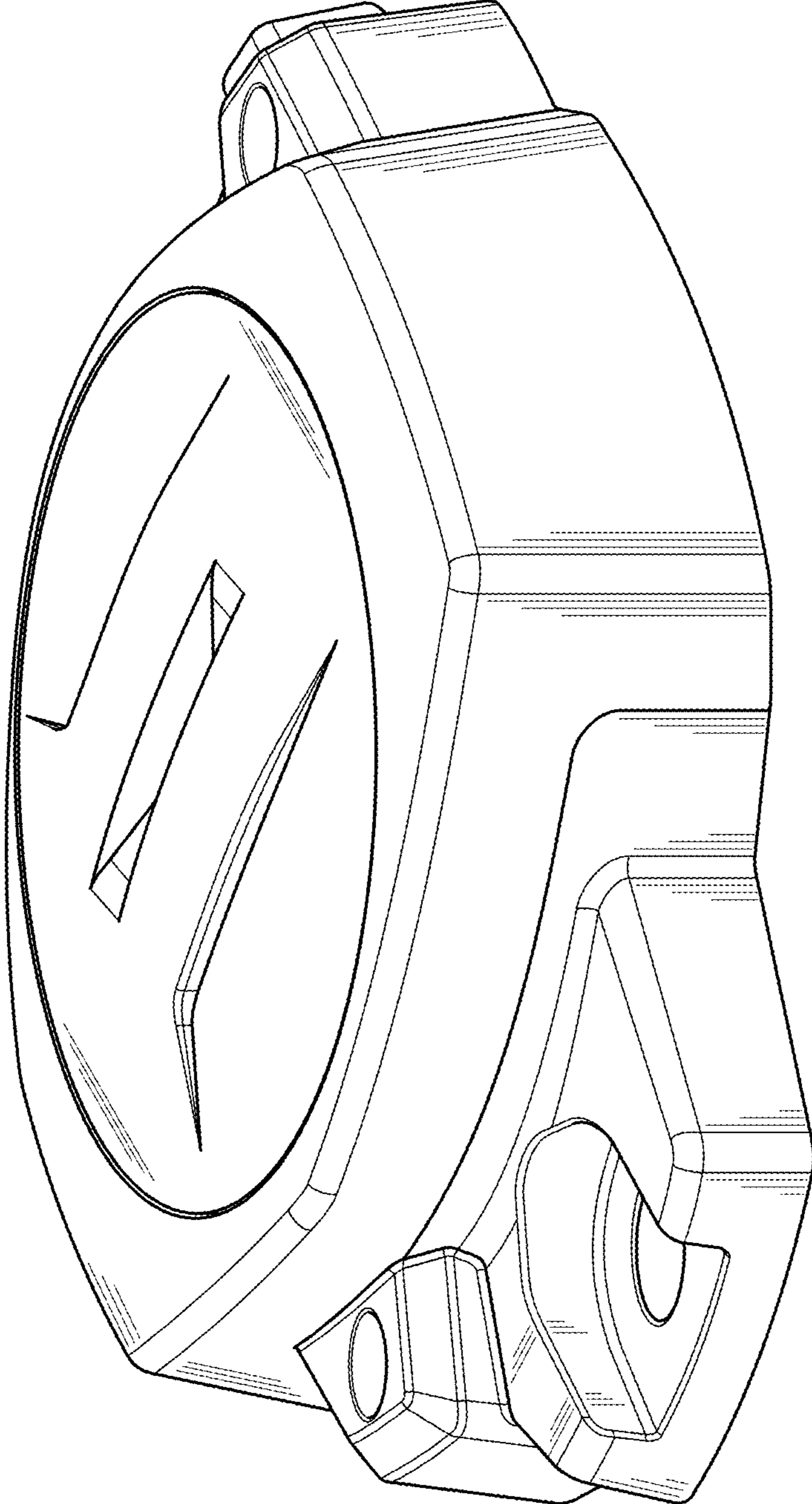


Fig. 1

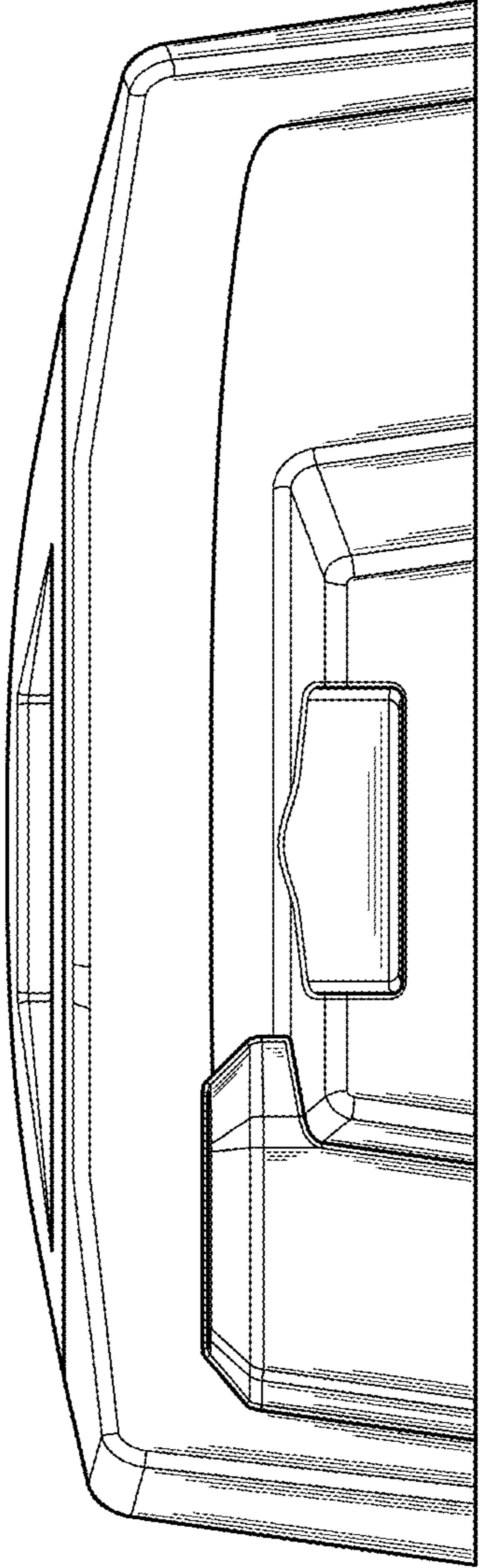


Fig. 2

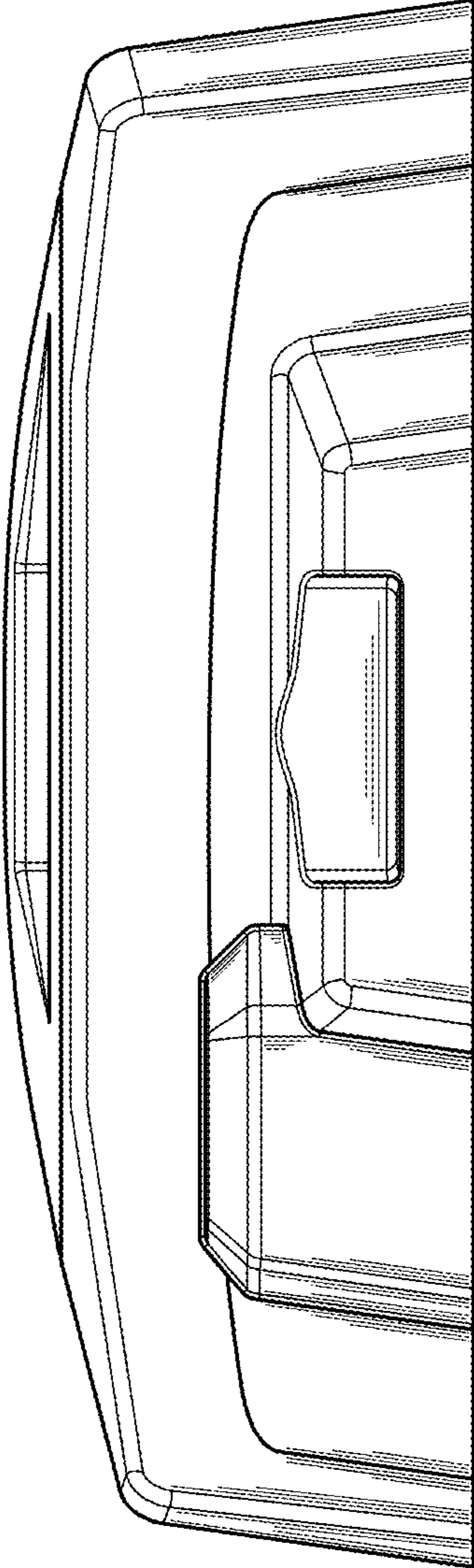


Fig. 3

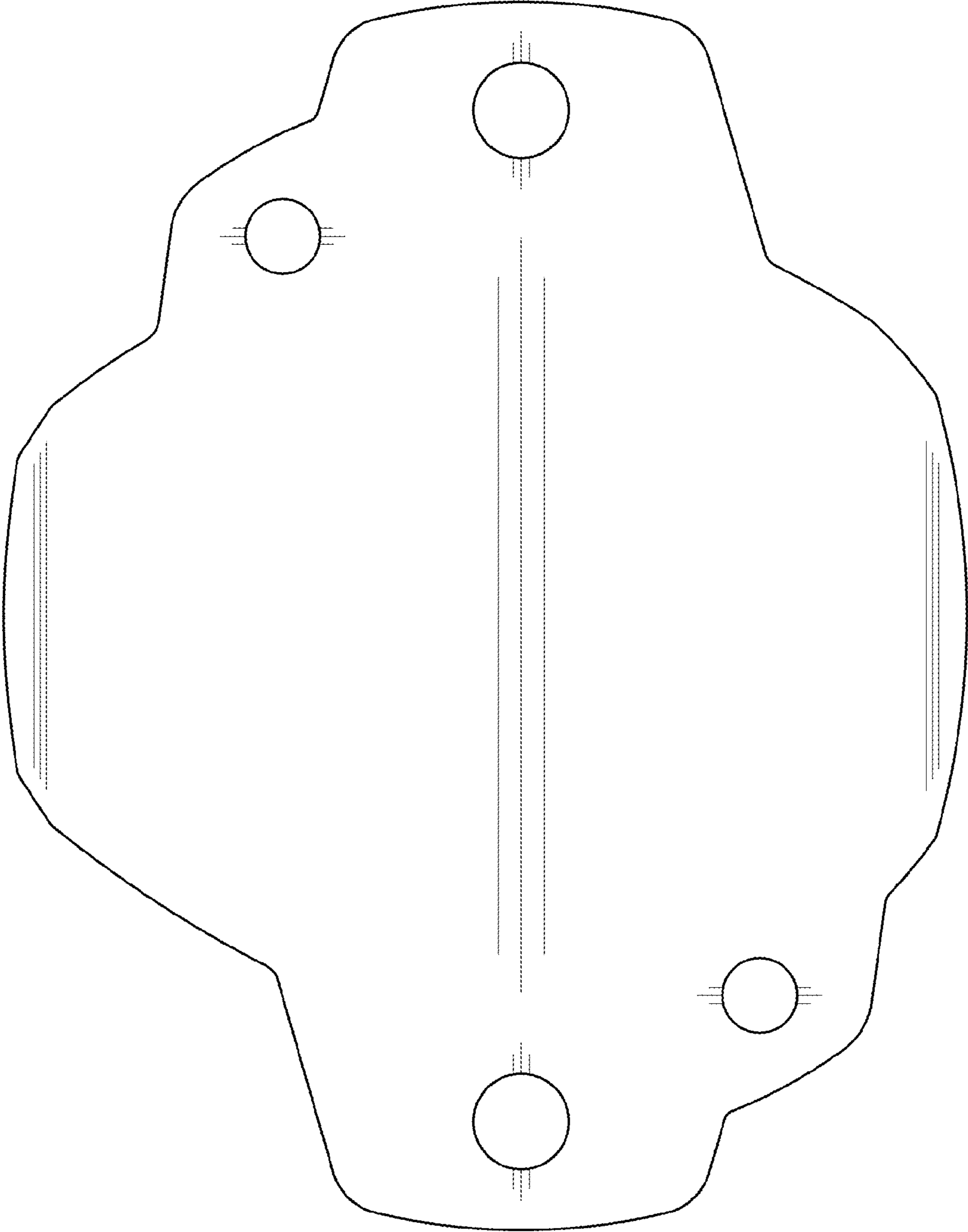


Fig. 4

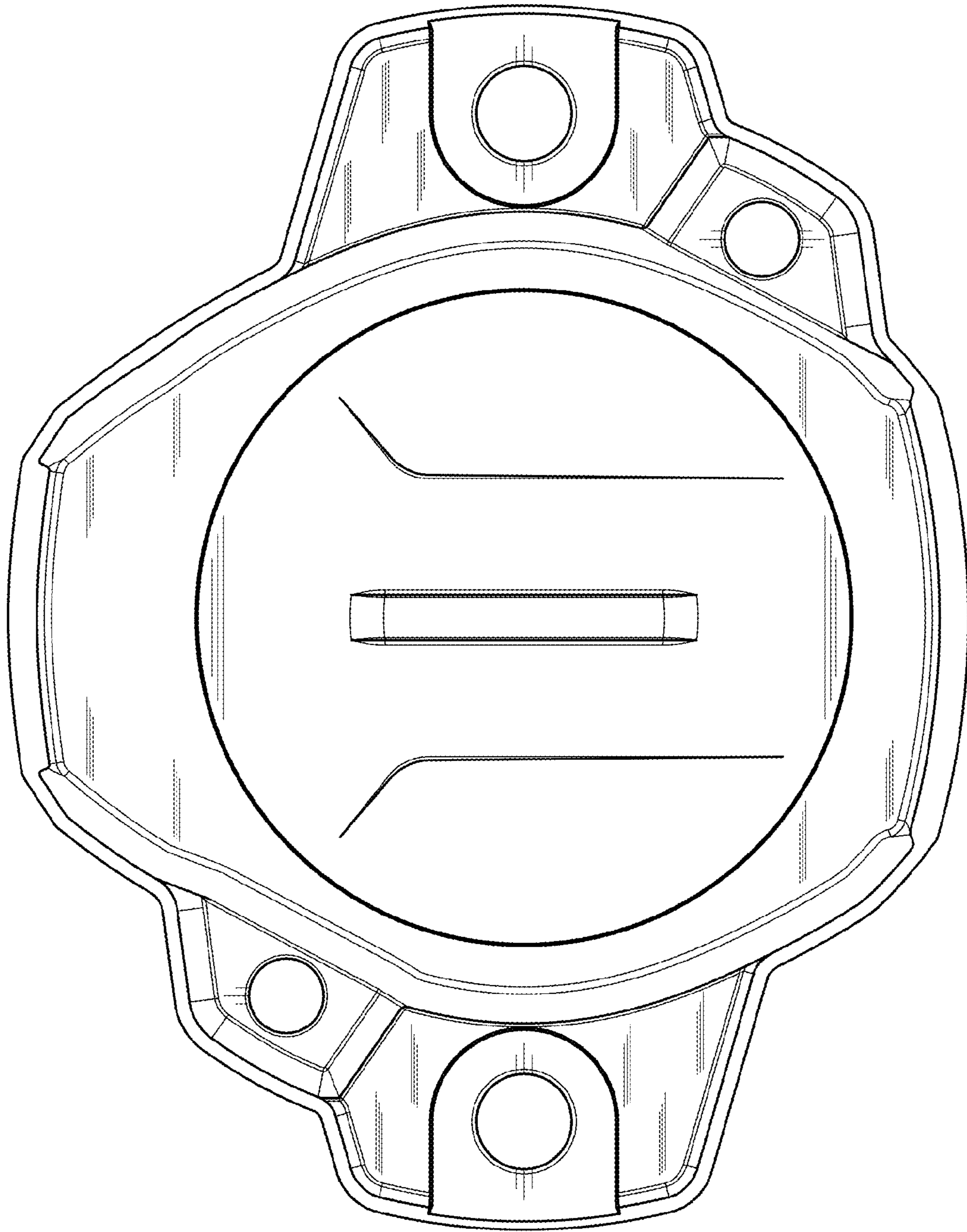


Fig. 5

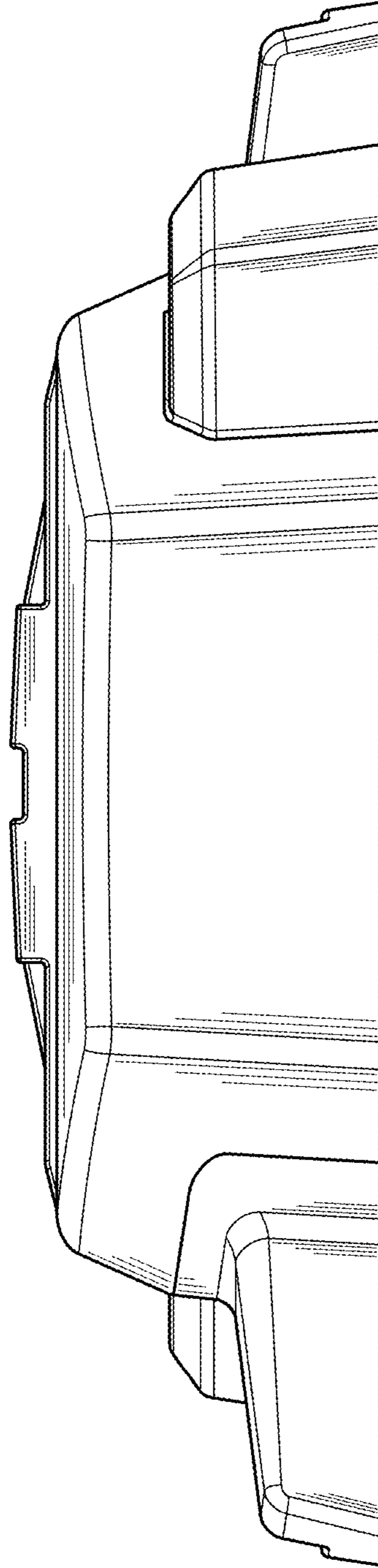


Fig. 6

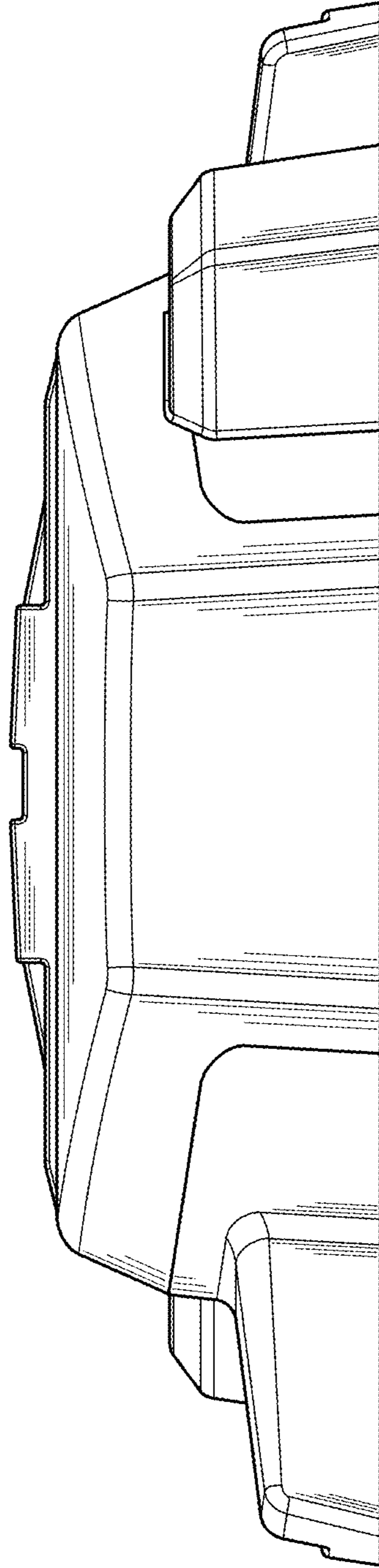


Fig. 7