



US00D889459S

(12) **United States Design Patent** (10) **Patent No.:** **US D889,459 S**
Zhang (45) **Date of Patent:** **** Jul. 7, 2020**

(54) **SMART WATCH**
(71) Applicant: **Caihong Zhang**, Guangdong (CN)
(72) Inventor: **Caihong Zhang**, Guangdong (CN)
(**) Term: **15 Years**
(21) Appl. No.: **29/714,538**
(22) Filed: **Nov. 24, 2019**
(51) **LOC (12) Cl.** **14-02**
(52) **U.S. Cl.**
USPC **D14/344; D10/32**
(58) **Field of Classification Search**
USPC D10/1-2, 5, 10, 14-15, 21, 30-41;
D14/344; D11/5, 93-94, 99; D5/56,
D5/59-60, 99; D24/167, 186-190
CPC . G04F 7/06; G04F 7/062; G04F 7/065; G04F
7/067; G04F 8/00; G04F 8/006; G04G
17/00; G04G 17/086; G04G 17/005;
G04G 13/028; G04G 11/00; G04G 9/00;
G04C 17/00; G04B 19/00; G04B 19/04;
A44C 5/00; A44C 5/0007; A44C 5/0053;
A44C 5/10; A44C 5/14
See application file for complete search history.

D787,511 S 5/2017 Lee
D789,357 S * 6/2017 Wu D14/344
D798,905 S * 10/2017 Akana D14/496
D802,587 S * 11/2017 Lee D14/344
D808,961 S * 1/2018 Lee D14/344
D826,933 S * 8/2018 Lee D14/344
D828,352 S * 9/2018 Akana D14/344
D837,206 S * 1/2019 Guan D14/344
D839,753 S * 2/2019 Domke D10/30
D842,855 S * 3/2019 Akana D14/344
D855,813 S * 8/2019 Hu D24/186
D862,462 S * 10/2019 Zhang D14/344
D866,350 S * 11/2019 Park D10/38
D868,062 S * 11/2019 Haranaka D14/344

(Continued)

FOREIGN PATENT DOCUMENTS

CN 305521795 * 12/2019
EM 007383328 * 12/2019

Primary Examiner — Sandra S Snapp
Assistant Examiner — Katherine Glennon
(74) Attorney, Agent, or Firm — ZANIP

(57) **CLAIM**

The ornamental design for a smart watch, as shown and described.

DESCRIPTION

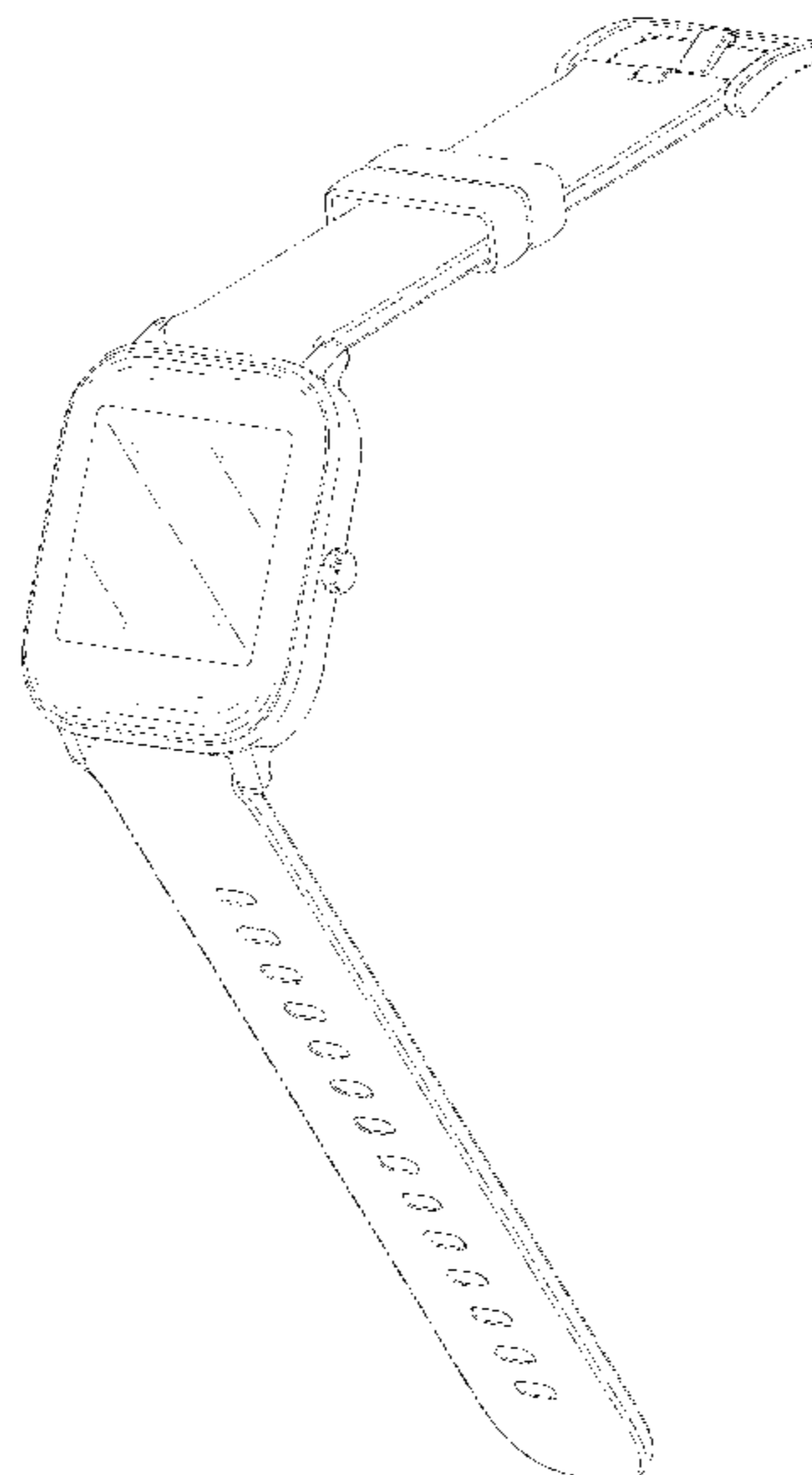
FIG. 1 is a front perspective view of a smart watch, showing my new design;
FIG. 2 is a rear perspective view thereof;
FIG. 3 is a front elevational view thereof;
FIG. 4 is a rear elevational view thereof;
FIG. 5 is a left side elevational view thereof;
FIG. 6 is a right side elevational view thereof;
FIG. 7 is a top plan view thereof; and,
FIG. 8 is a bottom plan view thereof.
The broken lines in the figures illustrate portions of the smart watch that form no part of the claimed design.

1 Claim, 8 Drawing Sheets

(56) **References Cited**

U.S. PATENT DOCUMENTS

4,504,062 A * 3/1985 Smith H04N 3/127
348/E3.015
D584,170 S * 1/2009 Morrison D10/32
D600,138 S * 9/2009 Tang D10/30
D622,857 S * 8/2010 Ramsey D24/186
D638,725 S * 5/2011 Morrison D10/39
D670,277 S * 11/2012 Huang D14/240
D741,726 S * 10/2015 Akana D10/30
D760,717 S * 7/2016 Solomon D14/344
D765,655 S * 9/2016 Tao D10/38
9,577,324 B2 * 2/2017 Chen H01Q 1/44
D784,325 S * 4/2017 Kim D14/341
D786,241 S * 5/2017 Chuang D14/344



(56)

References Cited

U.S. PATENT DOCUMENTS

D869,462 S * 12/2019 Ke D14/344
D876,244 S * 2/2020 Park D10/32
2014/0278220 A1* 9/2014 Yuen G01B 21/16
702/150
2015/0320128 A1* 11/2015 Yoo A61B 5/7435
2/170
2017/0277136 A1* 9/2017 Minami G06F 1/3296

* cited by examiner

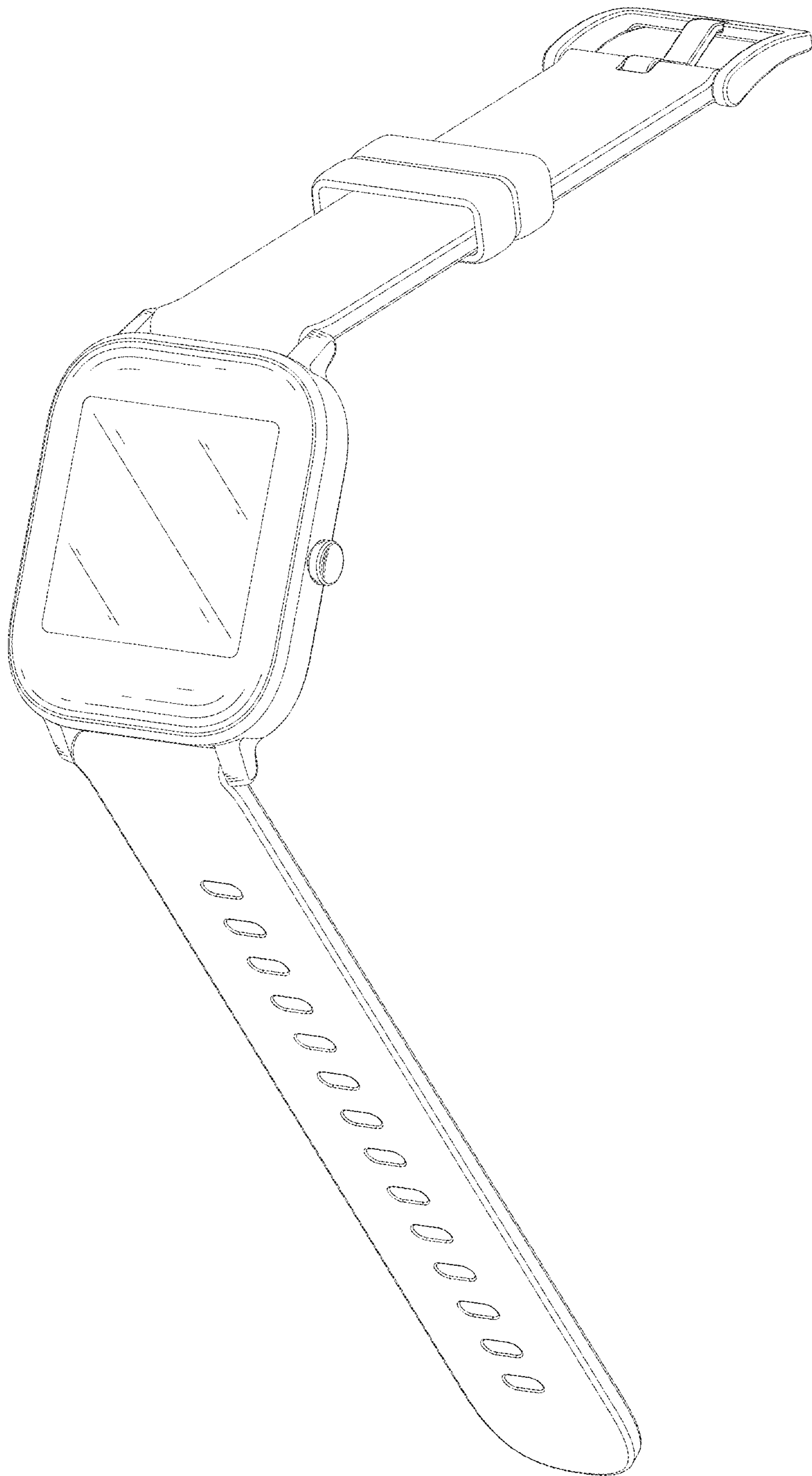


FIG. 1

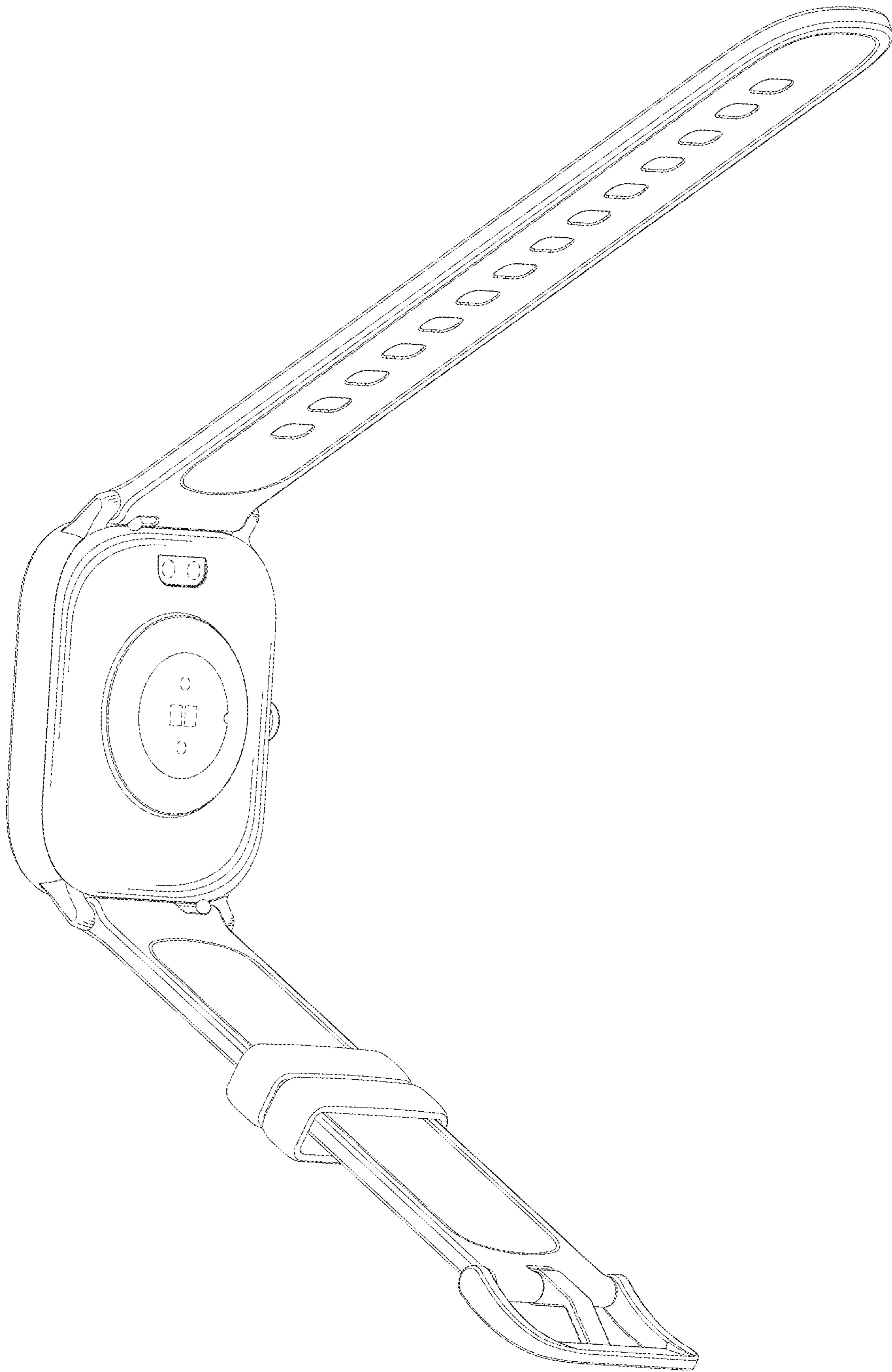


FIG. 2

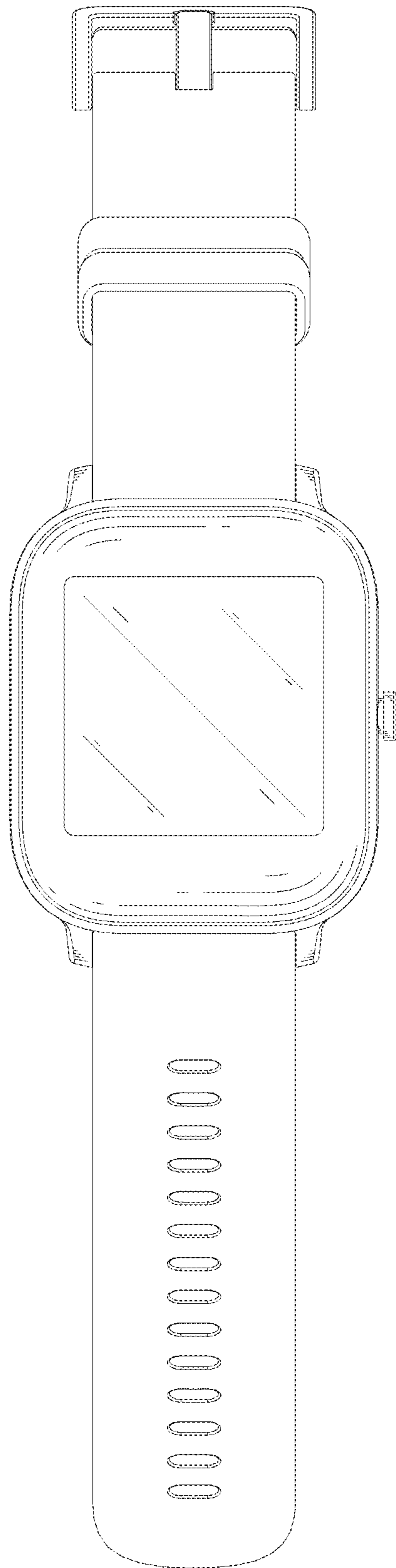


FIG. 3

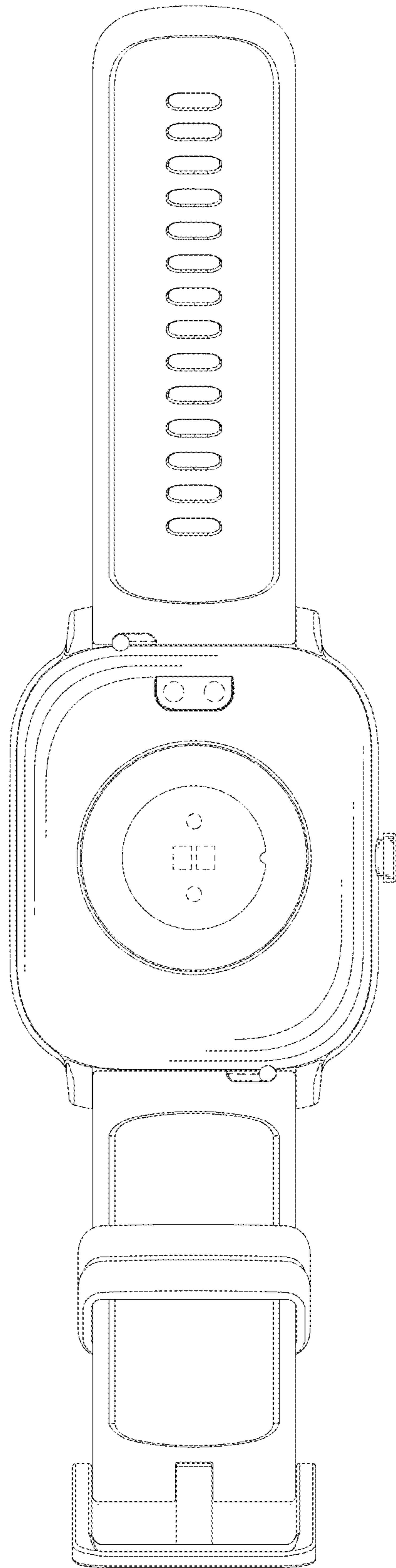


FIG. 4

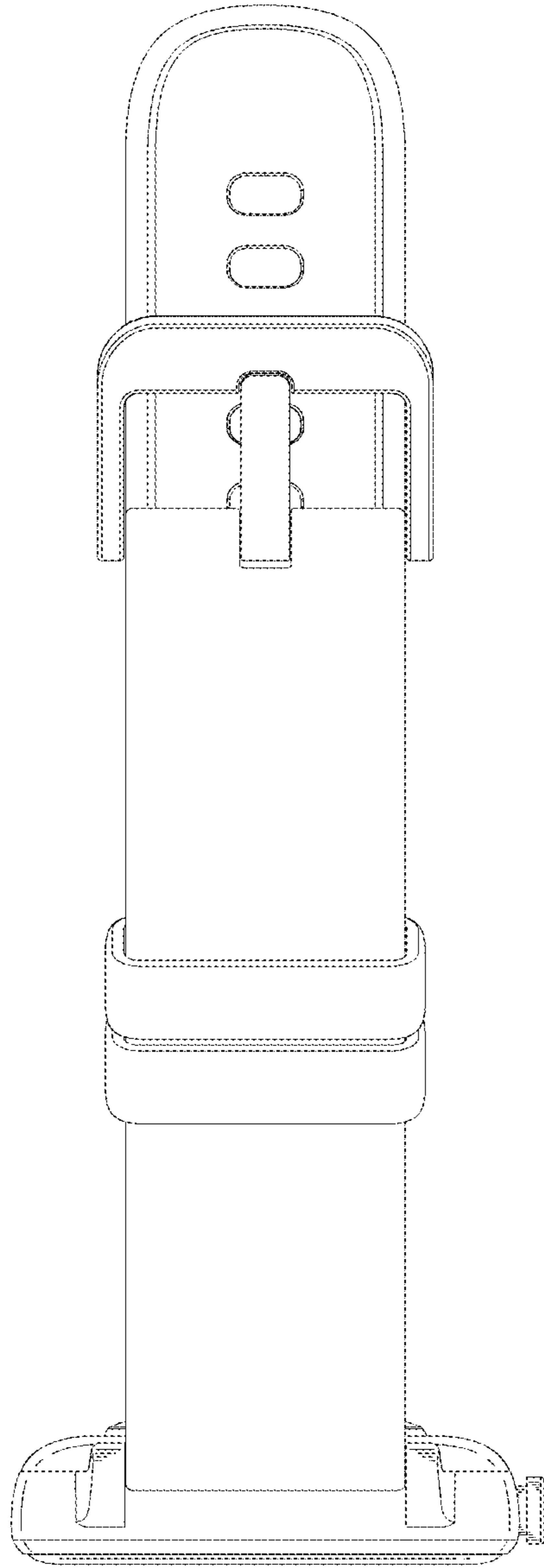


FIG. 5

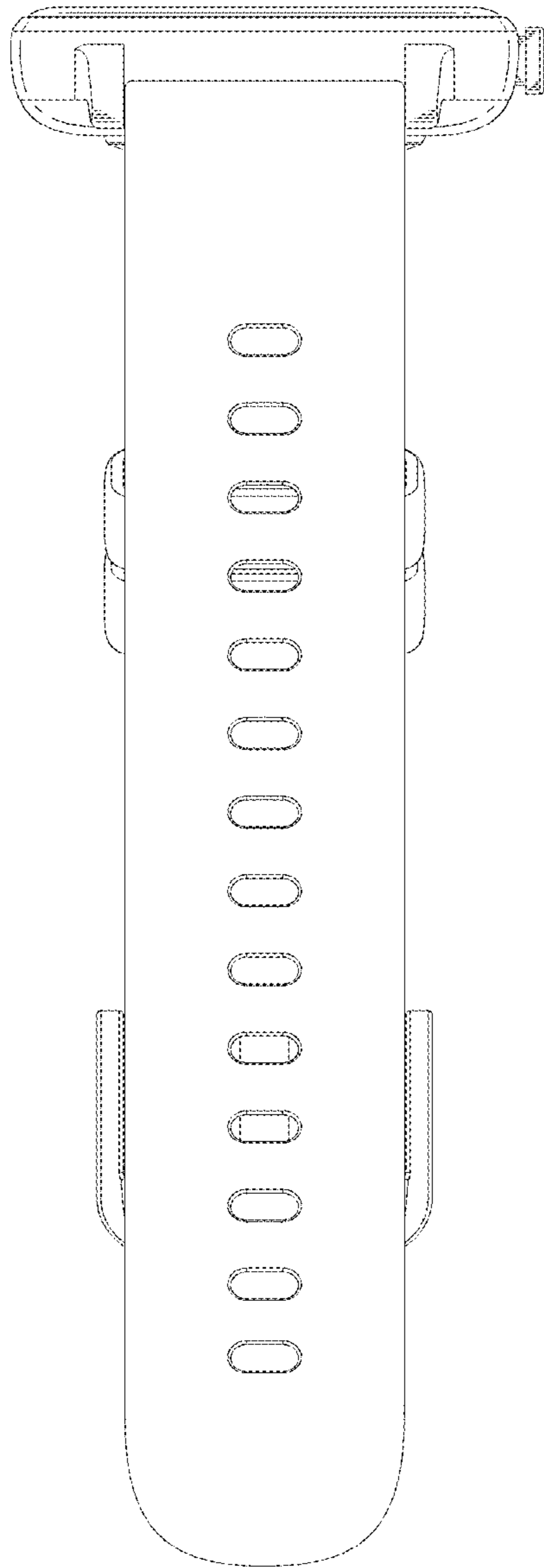


FIG. 6

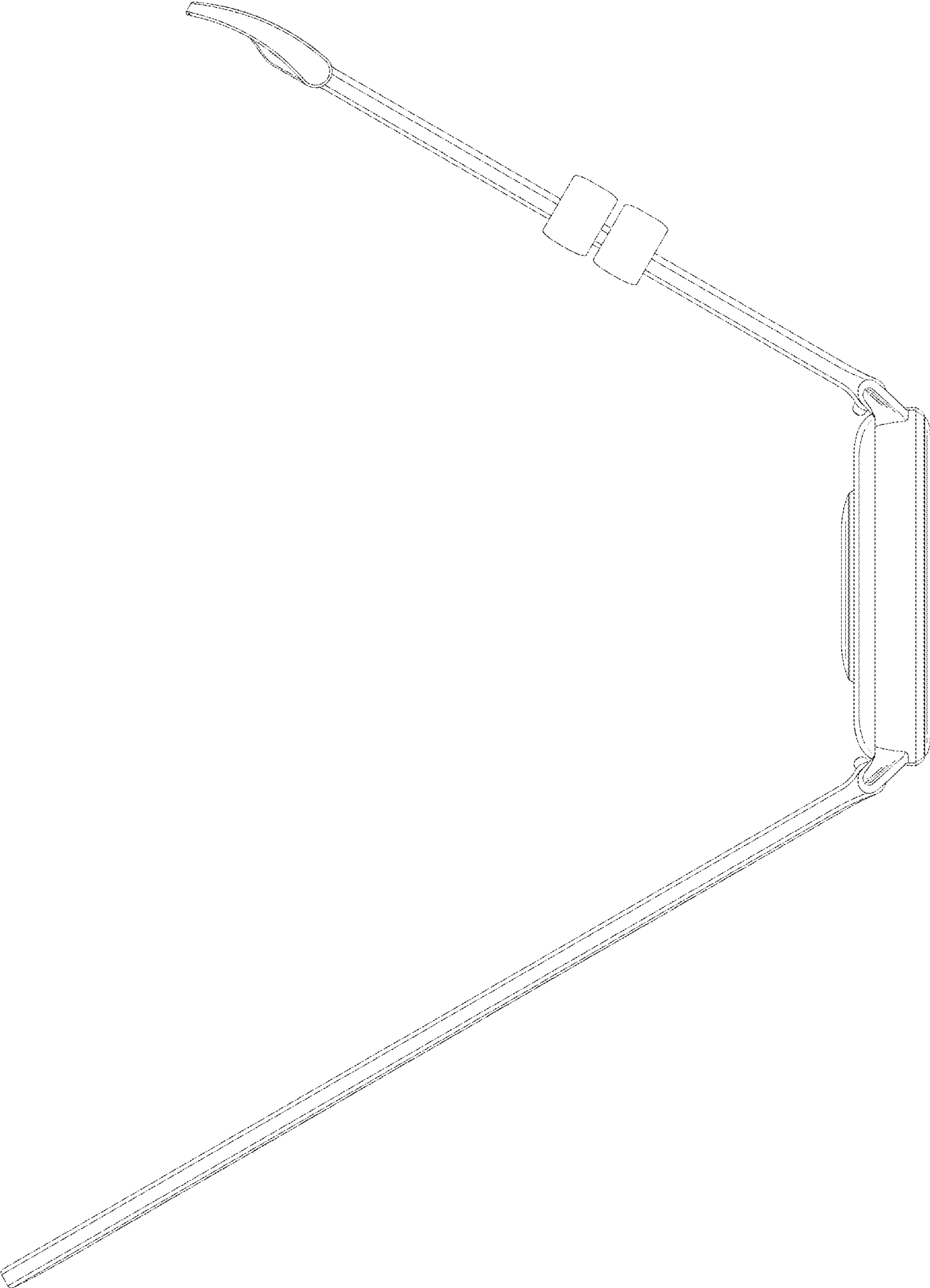


FIG. 7

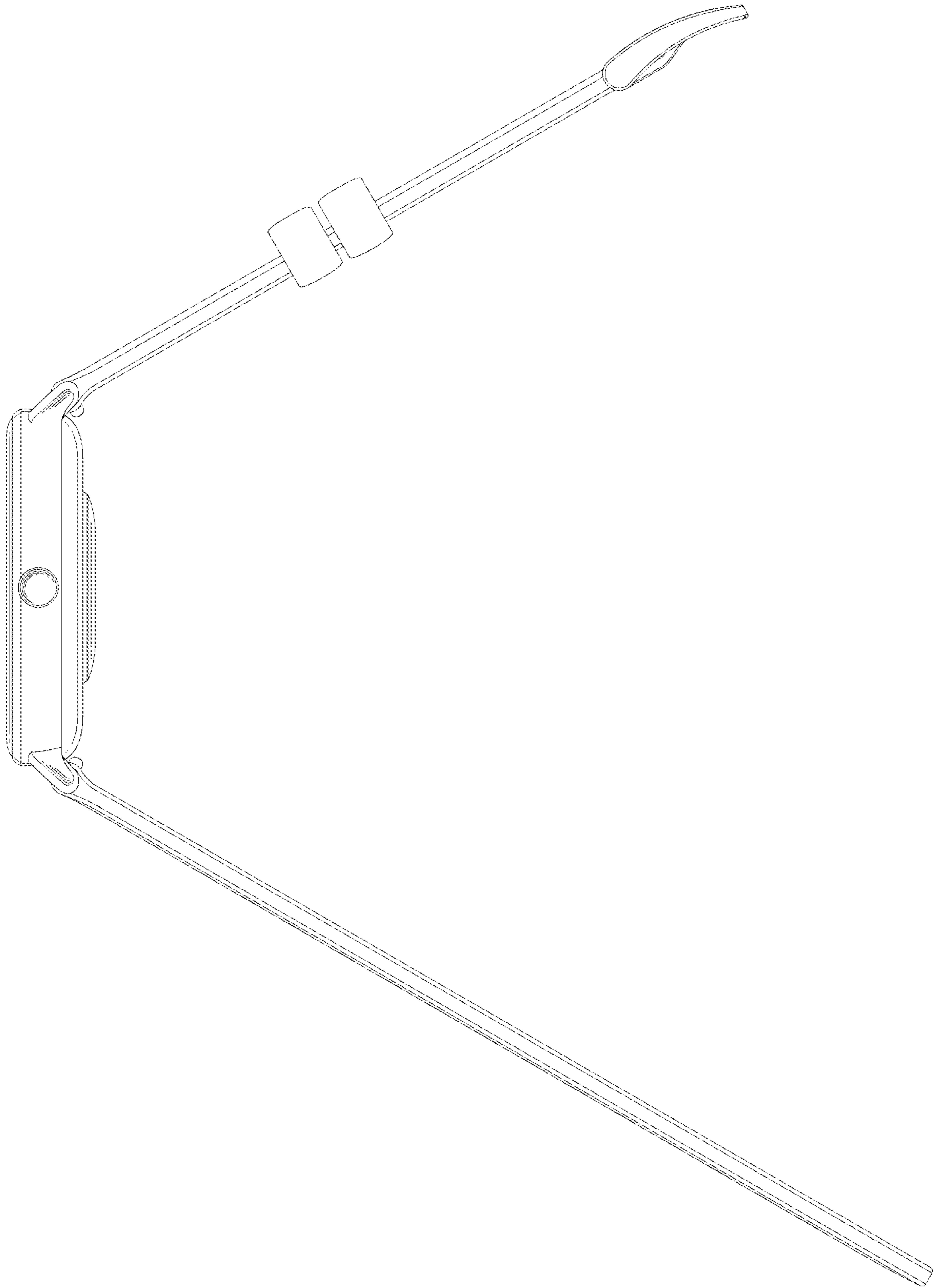


FIG. 8