



US00D889458S

(12) **United States Design Patent**
Zheng et al.

(10) **Patent No.:** **US D889,458 S**
(45) **Date of Patent:** **** Jul. 7, 2020**

(54) **WEARABLE DEVICE**

(71) Applicant: **Anhui Huami Information Technology Co., Ltd.**, Hefei, Anhui (CN)

(72) Inventors: **Wei Zheng**, Anhui (CN); **Pengtao Yu**, Anhui (CN)

(73) Assignee: **Anhui Huami Information Technology Co., Ltd.**, Hefei, Anhui (CN)

(**) Term: **15 Years**

(21) Appl. No.: **29/640,353**

(22) Filed: **Mar. 14, 2018**

(30) **Foreign Application Priority Data**

Dec. 11, 2017 (CN) 2017 3 0626704

(51) **LOC (12) Cl.** **14-02**

(52) **U.S. Cl.**
USPC **D14/344**

(58) **Field of Classification Search**
USPC D10/30-39, 52-75, 98; D14/344;
D24/167, 186

(Continued)

(56) **References Cited**

U.S. PATENT DOCUMENTS

D397,042 S * 8/1998 Riley D10/30
D504,624 S * 5/2005 Bodino D10/39

(Continued)

OTHER PUBLICATIONS

Asus ZenWatch 3 | posted at theverge.com Jul. 2017 [online]. © 2019 Vox Media, Inc. [retrieved Sep. 12, 2019] from Internet: <<https://www.theverge.com/2017/7/31/16066356/asus-zenwatch-3-review-android-wear-smartwatch>> (Year: 2017).*

(Continued)

Primary Examiner — Sandra S Snapp
Assistant Examiner — Katherine Glennon

(74) *Attorney, Agent, or Firm* — Young Basile Hanlon & MacFarlane, P.C.

(57) **CLAIM**

The ornamental design for a wearable device, as shown and described.

DESCRIPTION

FIG. 1 is a bottom, front, and right perspective view of a first embodiment of the wearable device showing our new design.

FIG. 2 is a front view of the first embodiment of the wearable device of FIG. 1.

FIG. 3 is a back view of the first embodiment of the wearable device of FIG. 1.

FIG. 4 is a bottom view of the first embodiment of the wearable device of FIG. 1.

FIG. 5 is a top view of the first embodiment of the wearable device of FIG. 1.

FIG. 6 is a right side view of the first embodiment of the wearable device of FIG. 1.

FIG. 7 is a left side view of the first embodiment of the wearable device of FIG. 1.

FIG. 8 is a bottom, front, and right perspective view of a second embodiment of the wearable device showing our new design.

FIG. 9 is a front view of the second embodiment of the wearable device of FIG. 8.

FIG. 10 is a back view of the second embodiment of the wearable device of FIG. 8.

FIG. 11 is a right side view of the second embodiment of the wearable device of FIG. 8.

FIG. 12 is a left side view of the second embodiment of the wearable device of FIG. 8.

FIG. 13 is a bottom view of the second embodiment of the wearable device of FIG. 8.

FIG. 14 is a top view of the second embodiment of the wearable device of FIG. 8.

FIG. 15 is a bottom, front, and right perspective view of a third embodiment of the wearable device showing our new design.

(Continued)

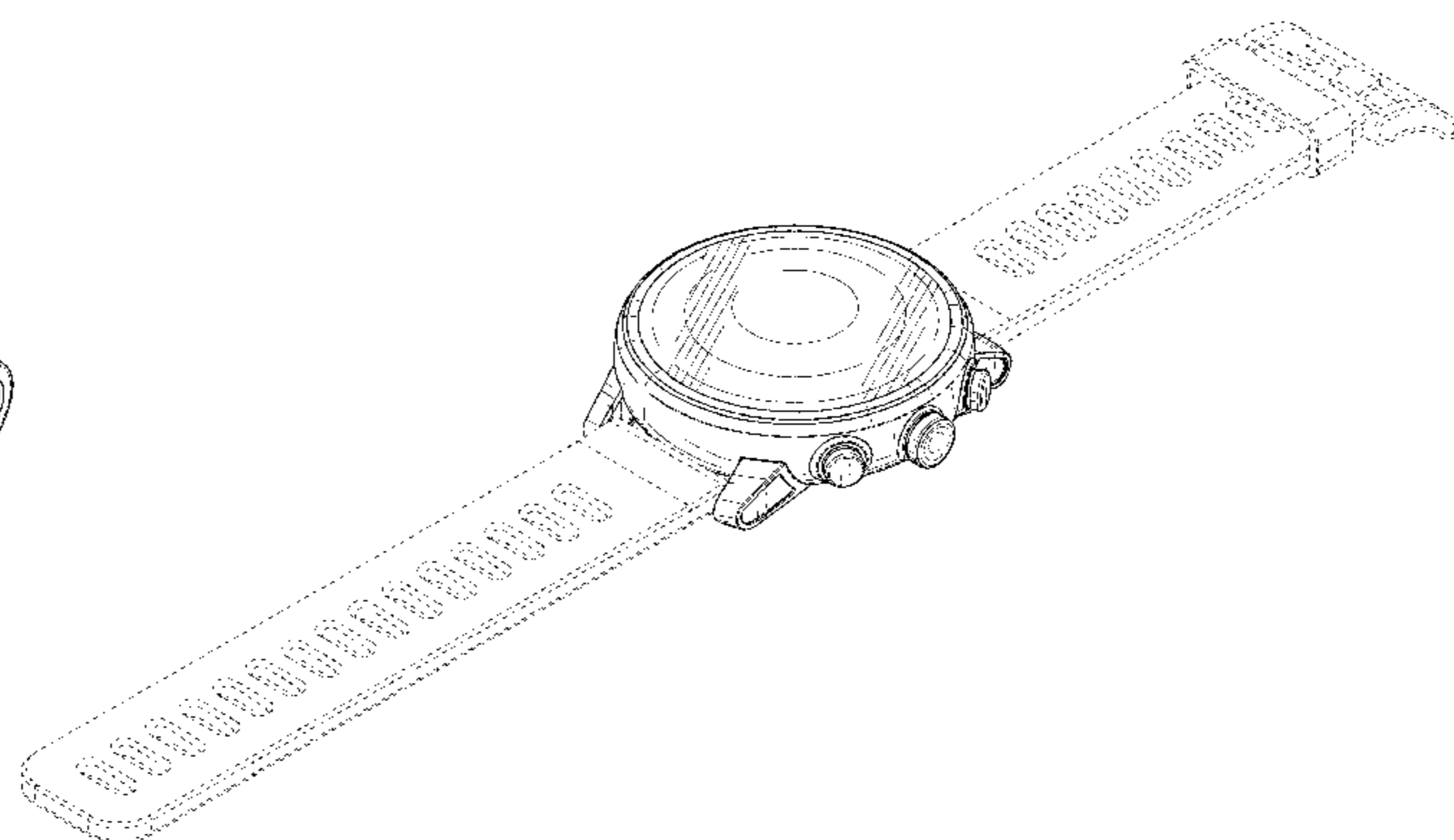
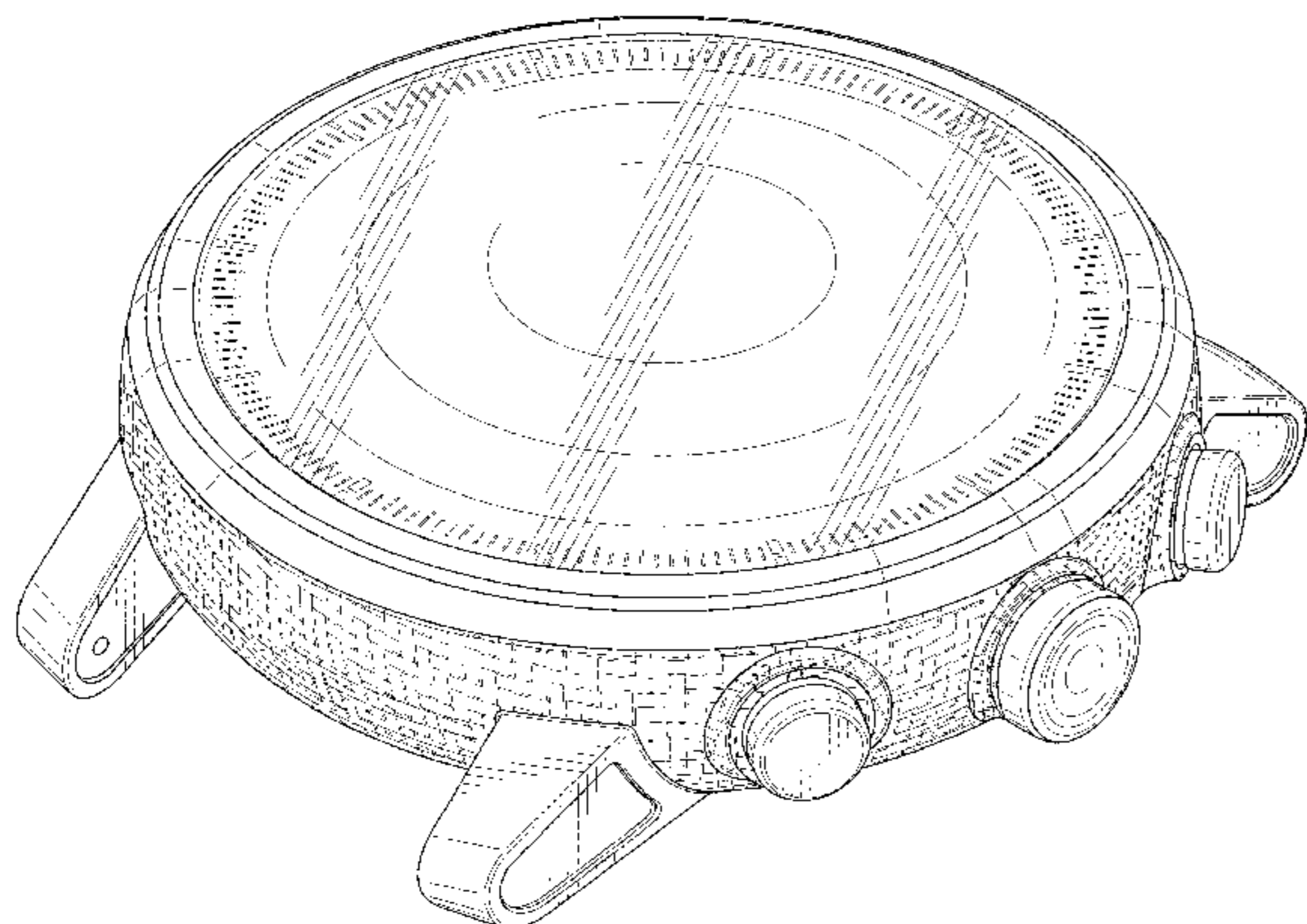


FIG. 16 is a front view of the third embodiment of the wearable device of FIG. 15.

FIG. 17 is a back view of the third embodiment of the wearable device of FIG. 15.

FIG. 18 is a bottom view of the third embodiment of the wearable device of FIG. 15.

FIG. 19 is a top view of the third embodiment of the wearable device of FIG. 15.

FIG. 20 is a right side view of the third embodiment of the wearable device of FIG. 15; and,

FIG. 21 is a left side view of the third embodiment of the wearable device of FIG. 15.

The claimed design is shown in solid lines in the drawings. The broken lines shown on the back of the design in FIGS. 1-12 and 17-21 illustrate portions of the wearable device that form no part of the claimed design. The broken line showing of a band in FIGS. 8-14 illustrates environment and forms no part of the claimed design. The shade lines in the figures show contour and form no part of the claimed design.

The surface treatment applied to the sides of the wearable device as shown in FIGS. 1-7 and 15-21 and forming part of the claimed design is flat and two-dimensional, with no three-dimensional characteristics.

1 Claim, 14 Drawing Sheets

(58) **Field of Classification Search**

CPC G04B 3/046; G04B 3/048; G04B 19/00; G04B 19/06; G04B 19/065; G04B 19/08; G04B 19/082; G04B 19/085; G04B 19/087; G04B 19/10; G04B 19/103; G04B 19/106; G04B 19/12; G04B 19/18; G04B 19/22; G04B 19/24; G04B 19/241;

G04B 19/243; G04B 19/226; G04B 19/30; G04B 37/00; G04B 37/08; G04B 37/16; G04B 37/0058; G04B 45/0069; G04B 45/0076; G04B 47/04; G04B 47/06; G04B 47/063

See application file for complete search history.

(56)

References Cited

U.S. PATENT DOCUMENTS

D573,486	S	*	7/2008	Sanz	D10/38
D602,381	S	*	10/2009	Bodino	D10/38
D613,737	S	*	4/2010	Ahlstrom	D14/344
D660,727	S	*	5/2012	Parmigiani	D10/38
D708,073	S	*	7/2014	Parmigiani	D10/38
D732,984	S	*	6/2015	Nussbaumer	D10/38
D744,863	S	*	12/2015	Behling	D10/126
D752,583	S	*	3/2016	Solomon	D10/38
D767,566	S	*	9/2016	Morgenroth	D14/344
D768,623	S	*	10/2016	Zou	D10/39
D794,632	S	*	8/2017	Solomon	D10/38
D807,352	S	*	1/2018	Bang	D14/344
D814,946	S	*	4/2018	Emmenegger	D10/39
D819,627	S	*	6/2018	Boukai	D14/344
D827,831	S	*	9/2018	Fong	D24/167
D828,351	S	*	9/2018	Xie	D14/344
D836,466	S	*	12/2018	Shi	D10/32
D843,370	S	*	3/2019	Arpa	D14/344
D850,444	S	*	6/2019	Mullins	D14/344

OTHER PUBLICATIONS

Amazfit Stratos Pace 2S | posted at the5krunner.com Jan. 2018 [online] [retrieved Sep. 10, 2019] from Internet: <<https://the5krunner.com/2018/01/16/xiaomi-huami-amazfit-smartwatch-pace-2-stratos> (Year: 2018).*

* cited by examiner

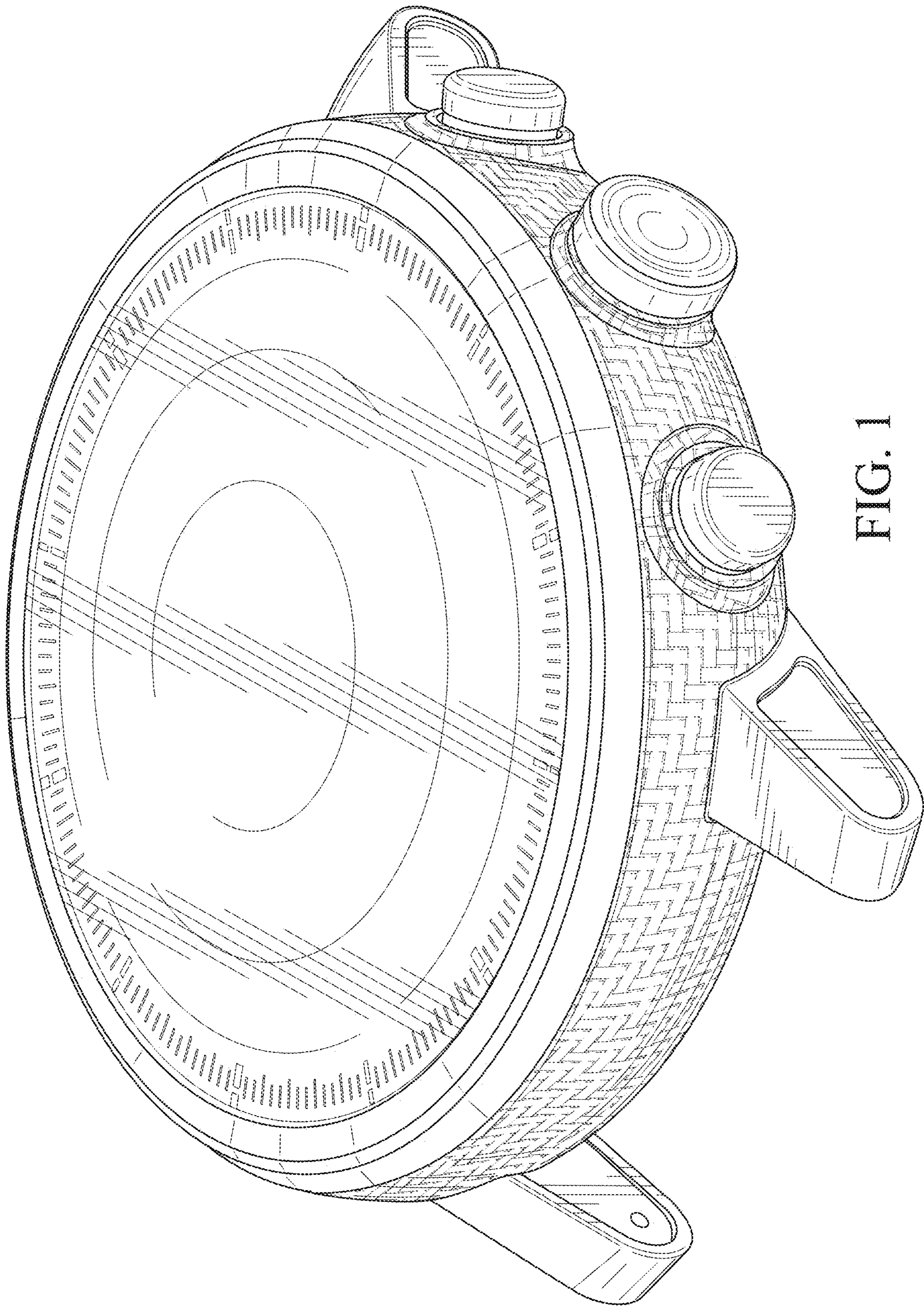


FIG. 1



FIG. 2

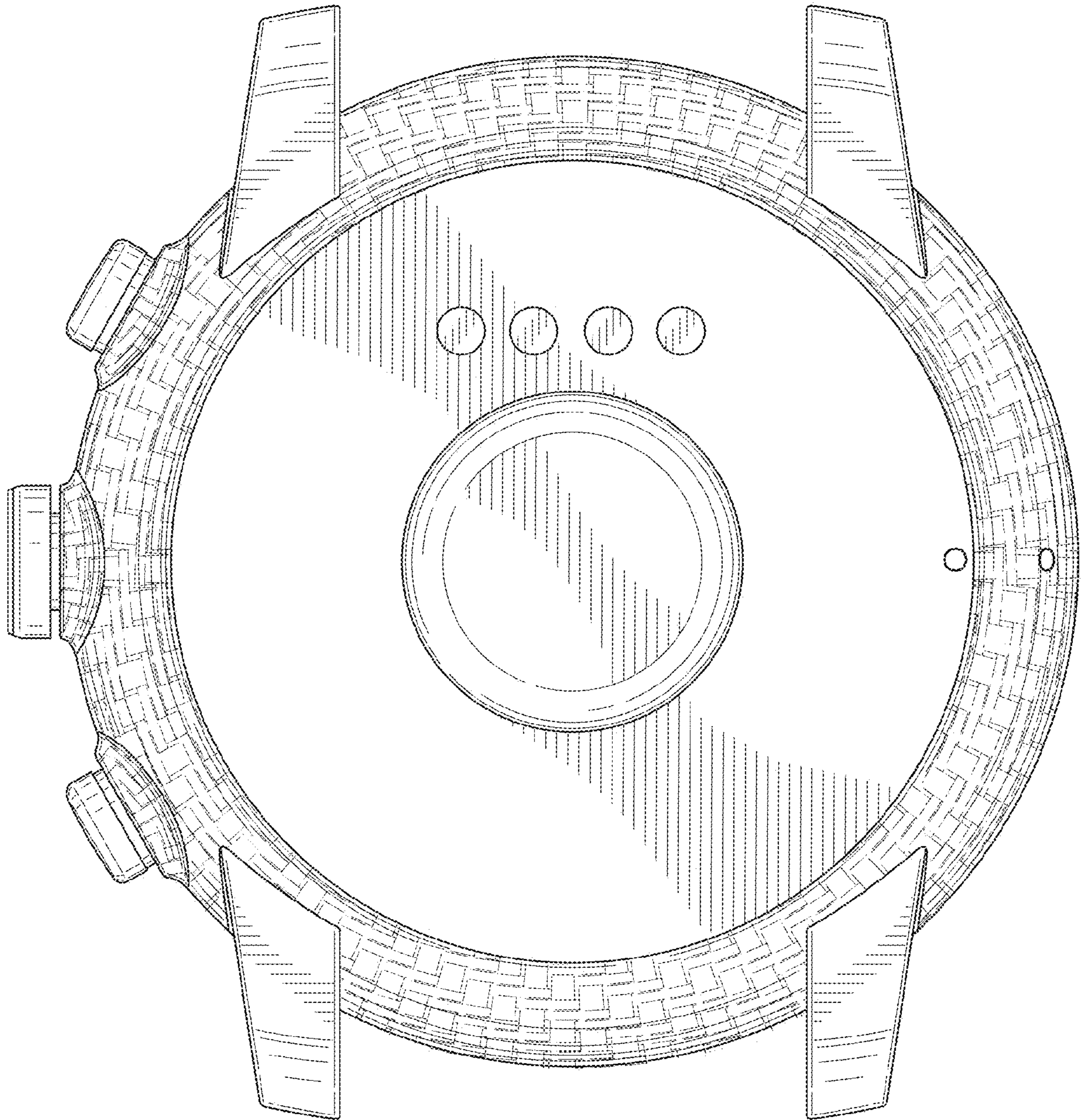


FIG. 3

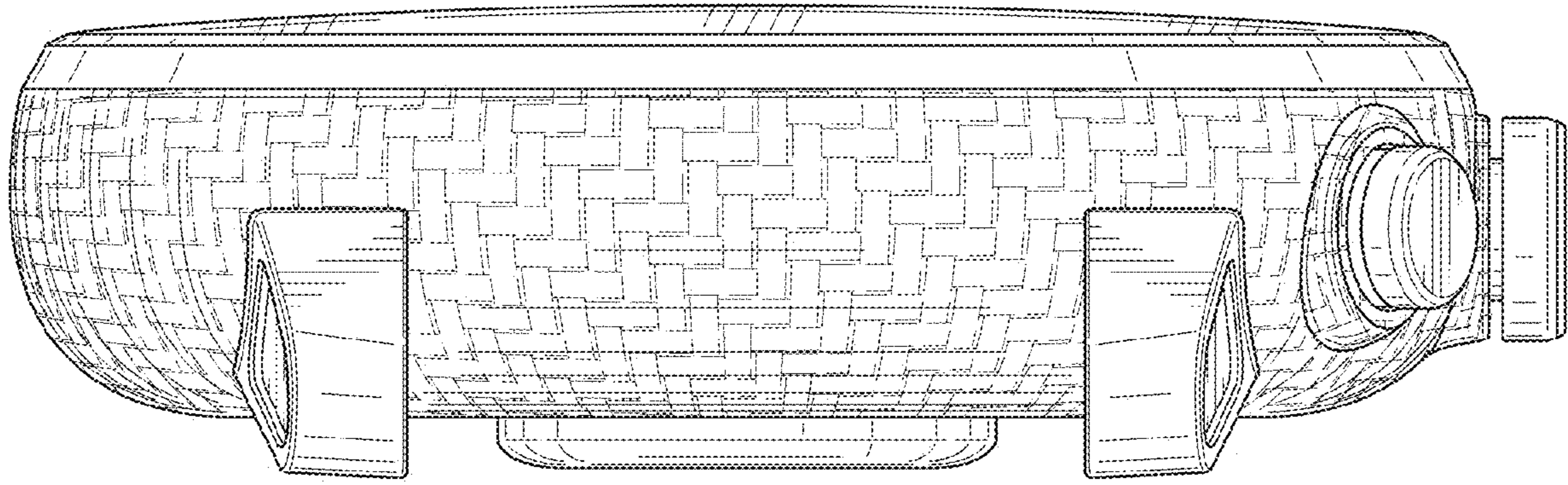


FIG. 4

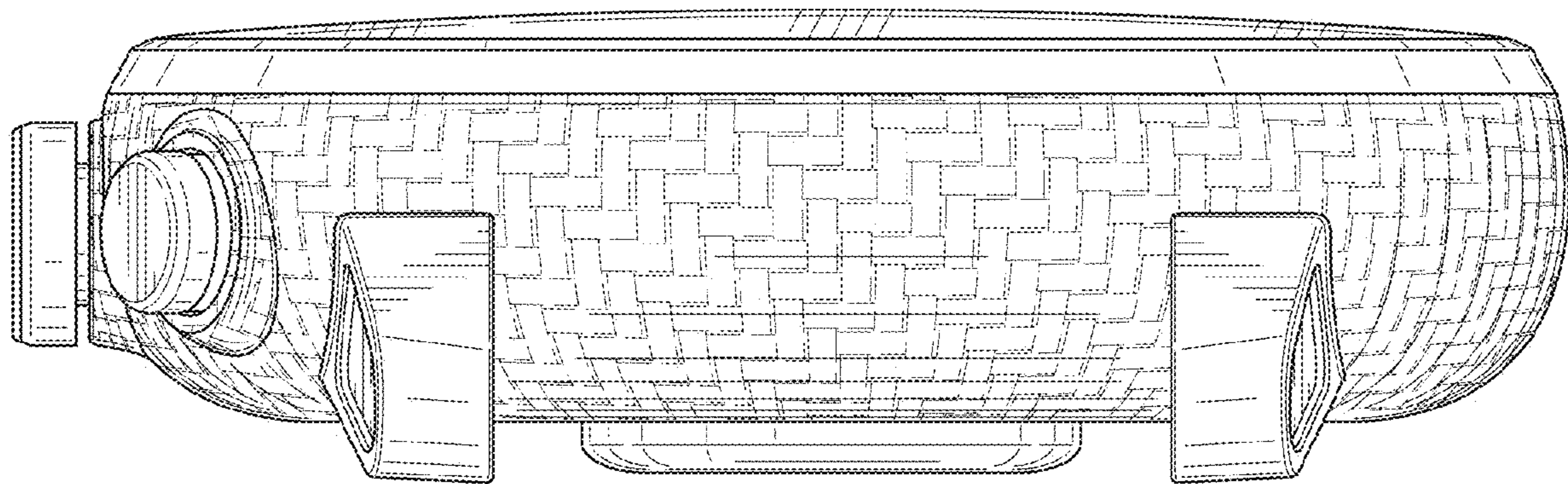


FIG. 5

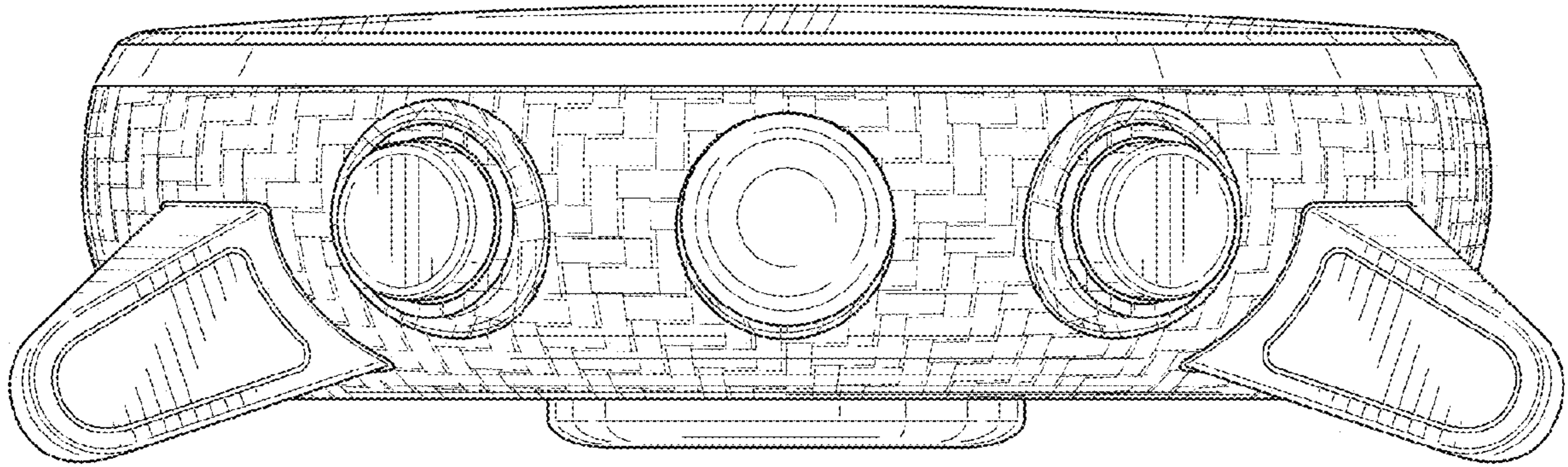


FIG. 6

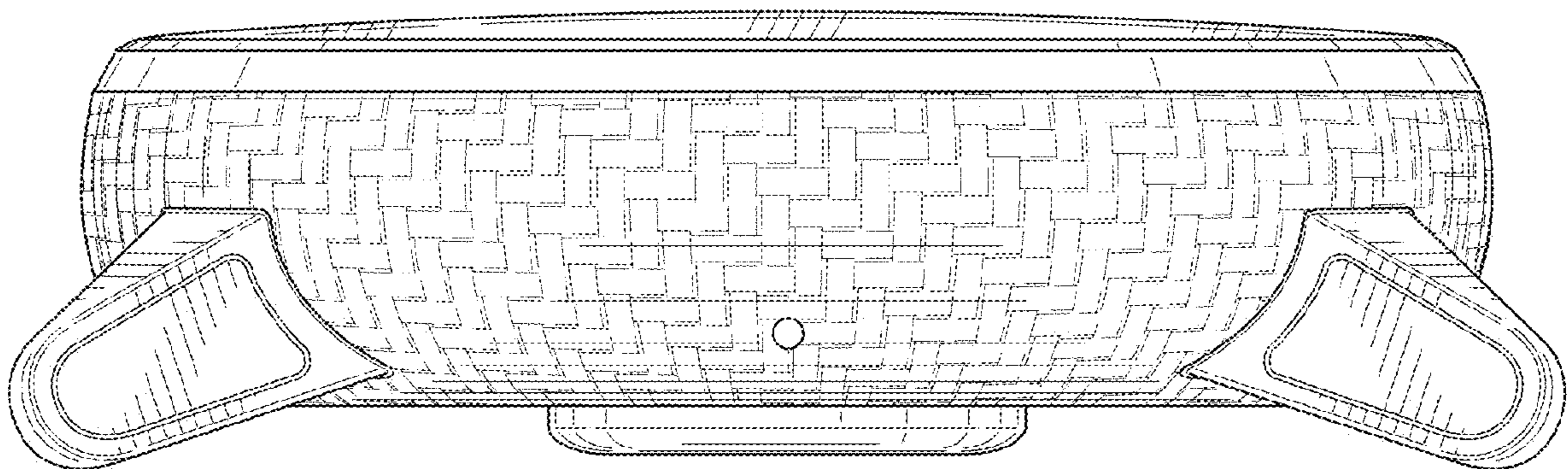


FIG. 7

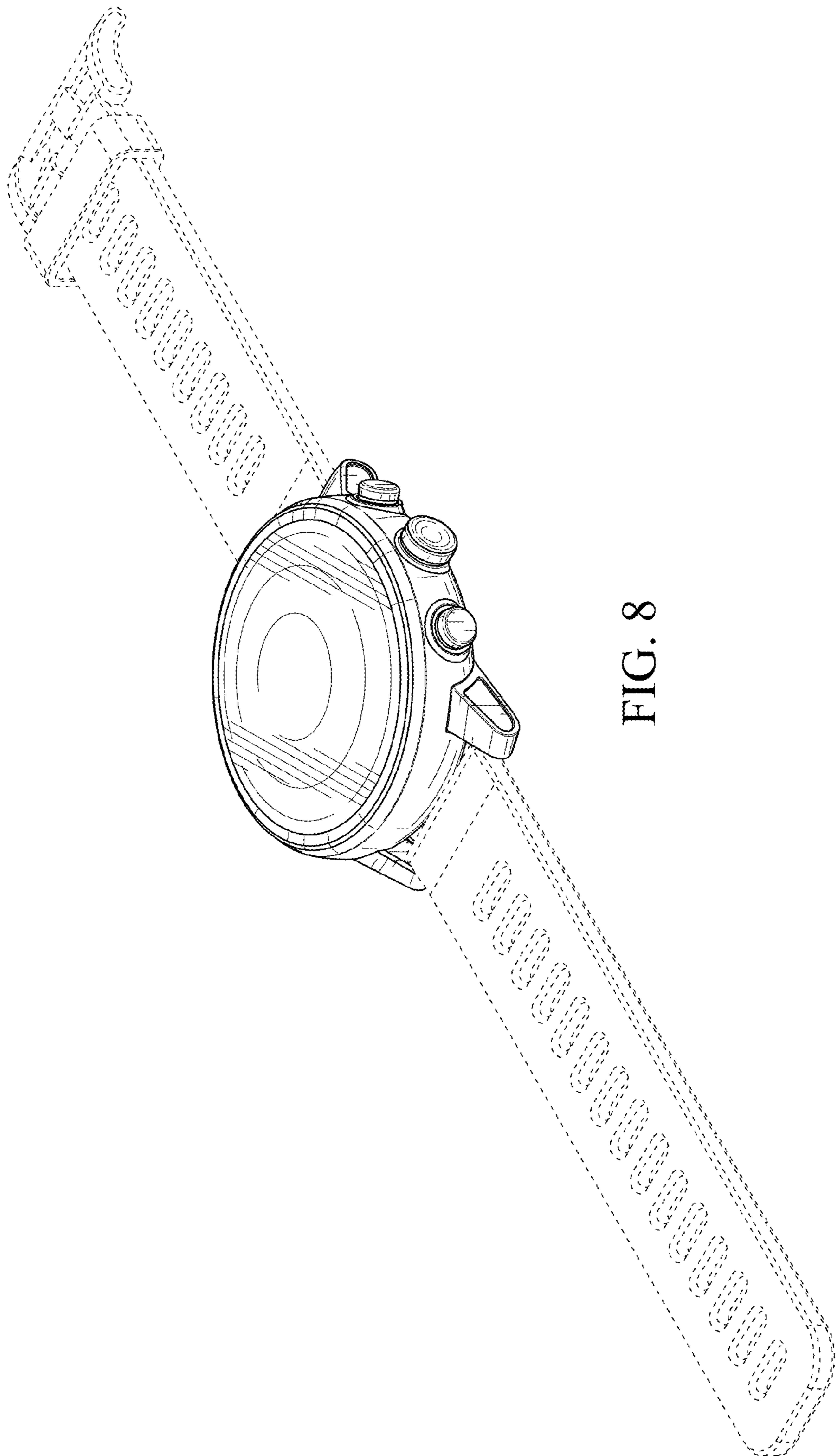


FIG. 8

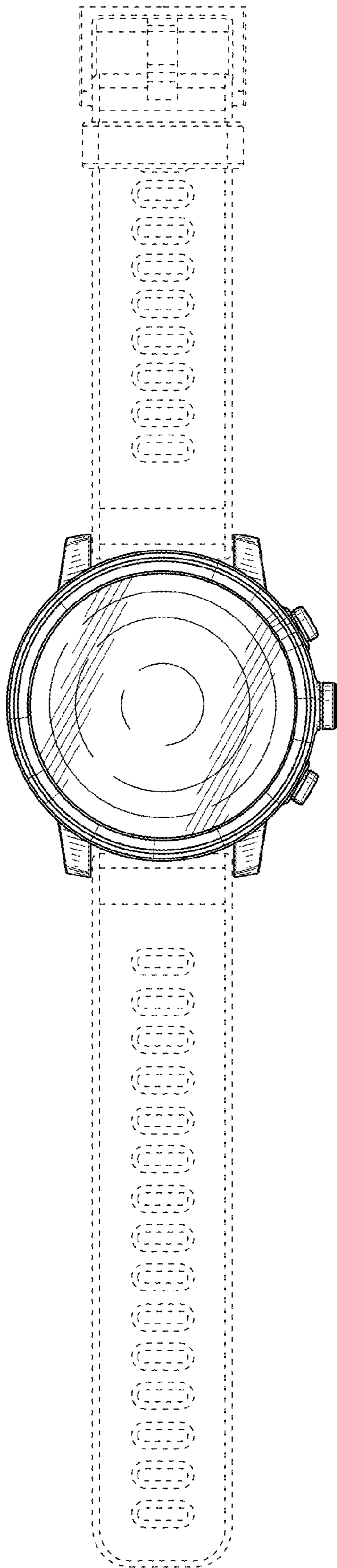


FIG. 9

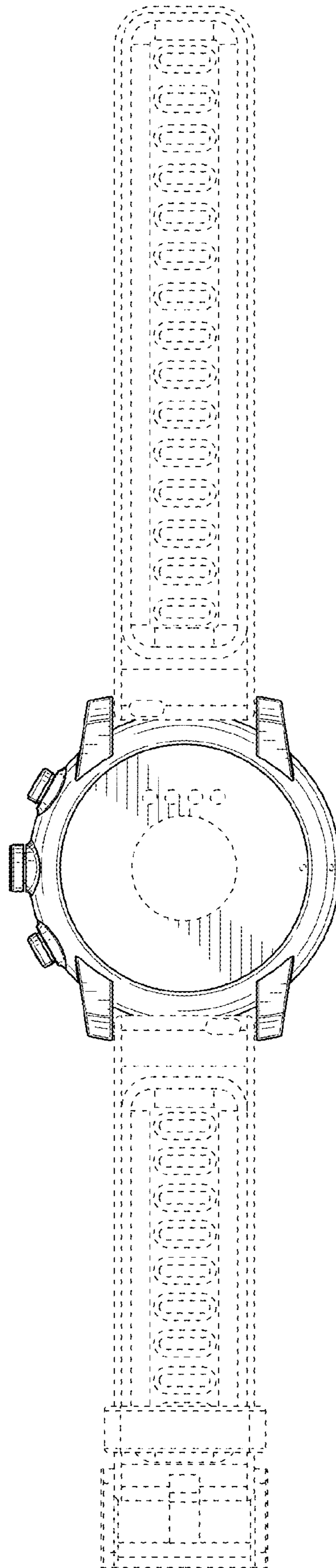


FIG. 10

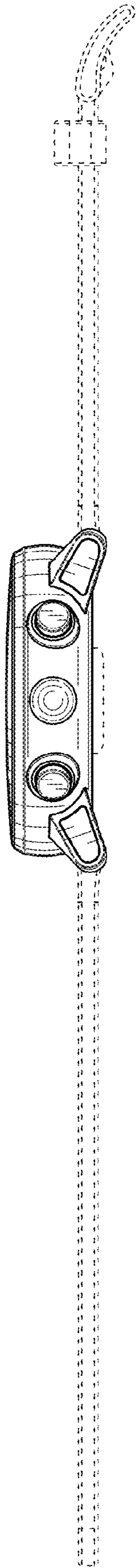


FIG. 11

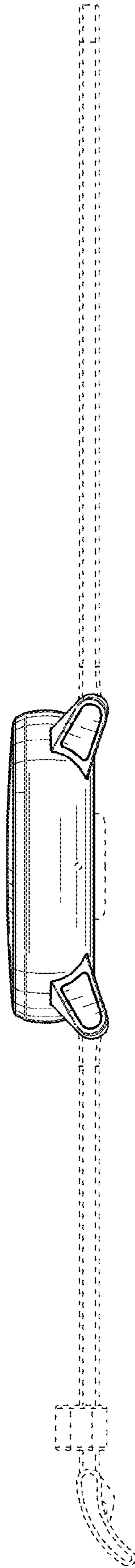


FIG. 12

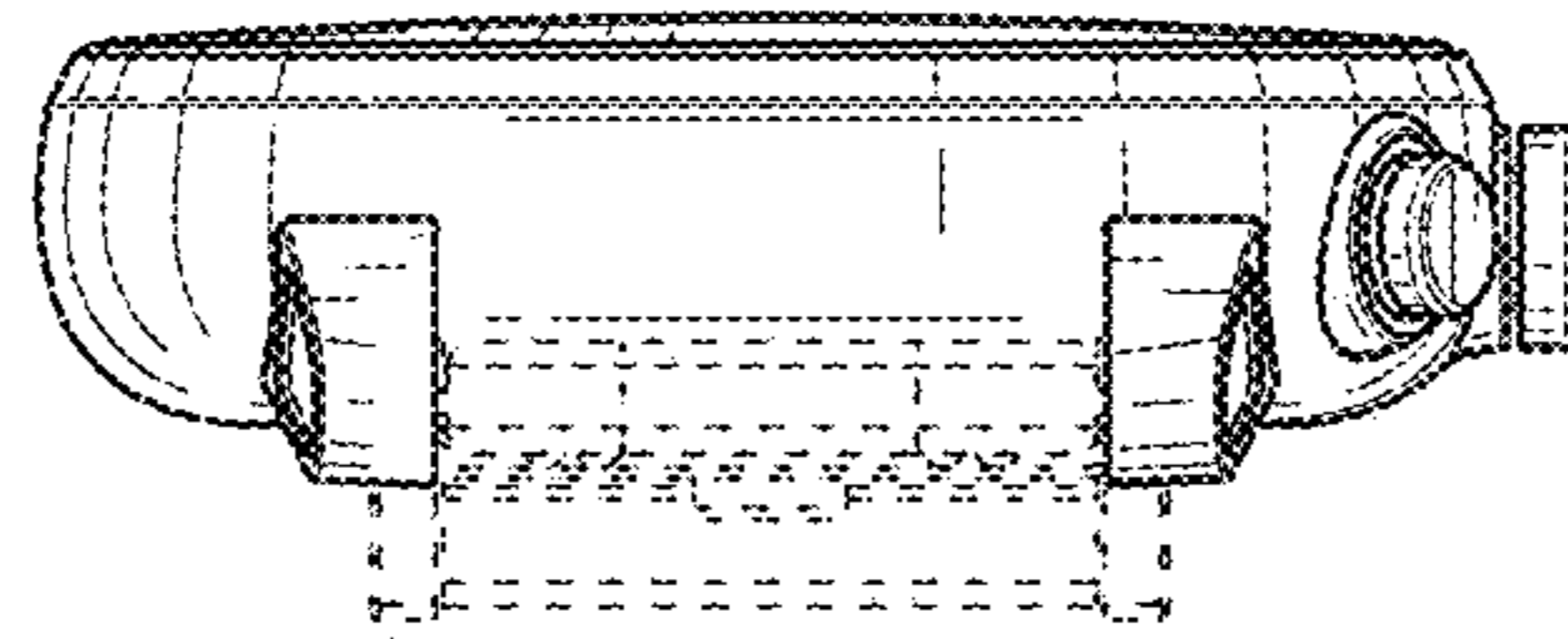


FIG. 13

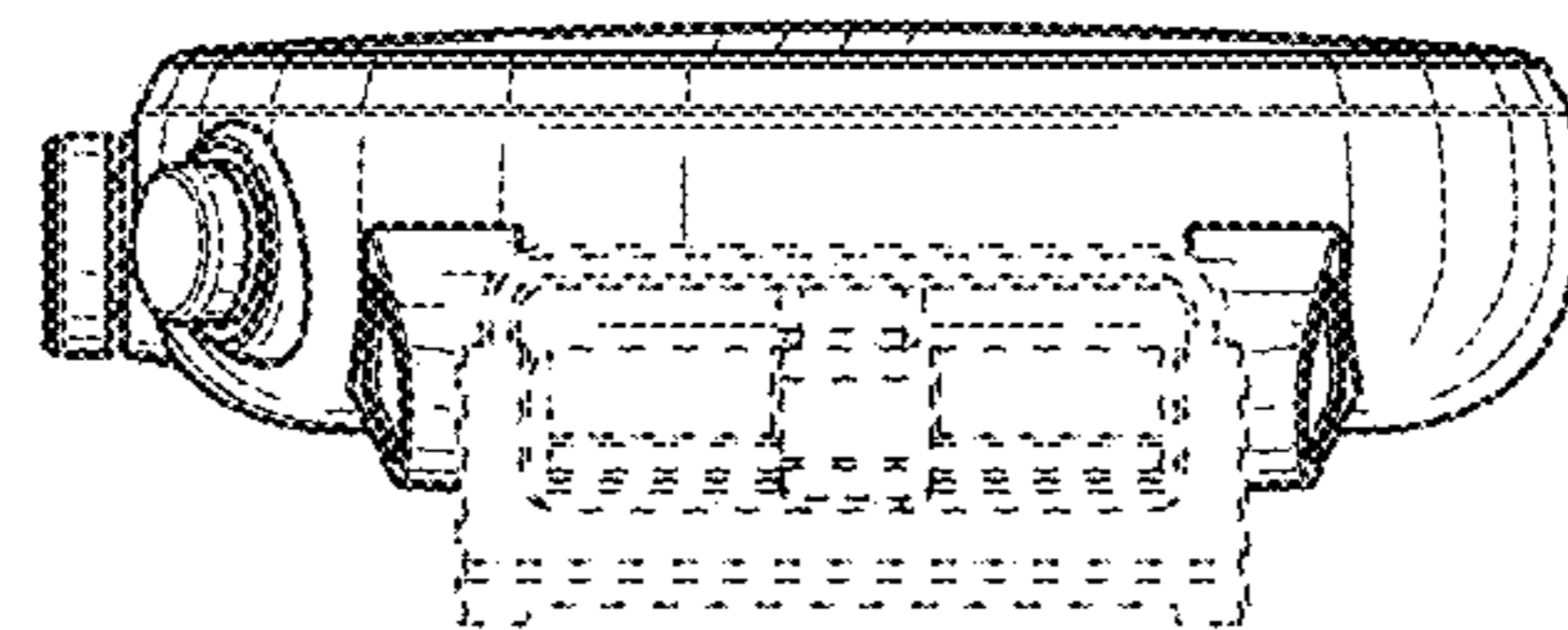


FIG. 14

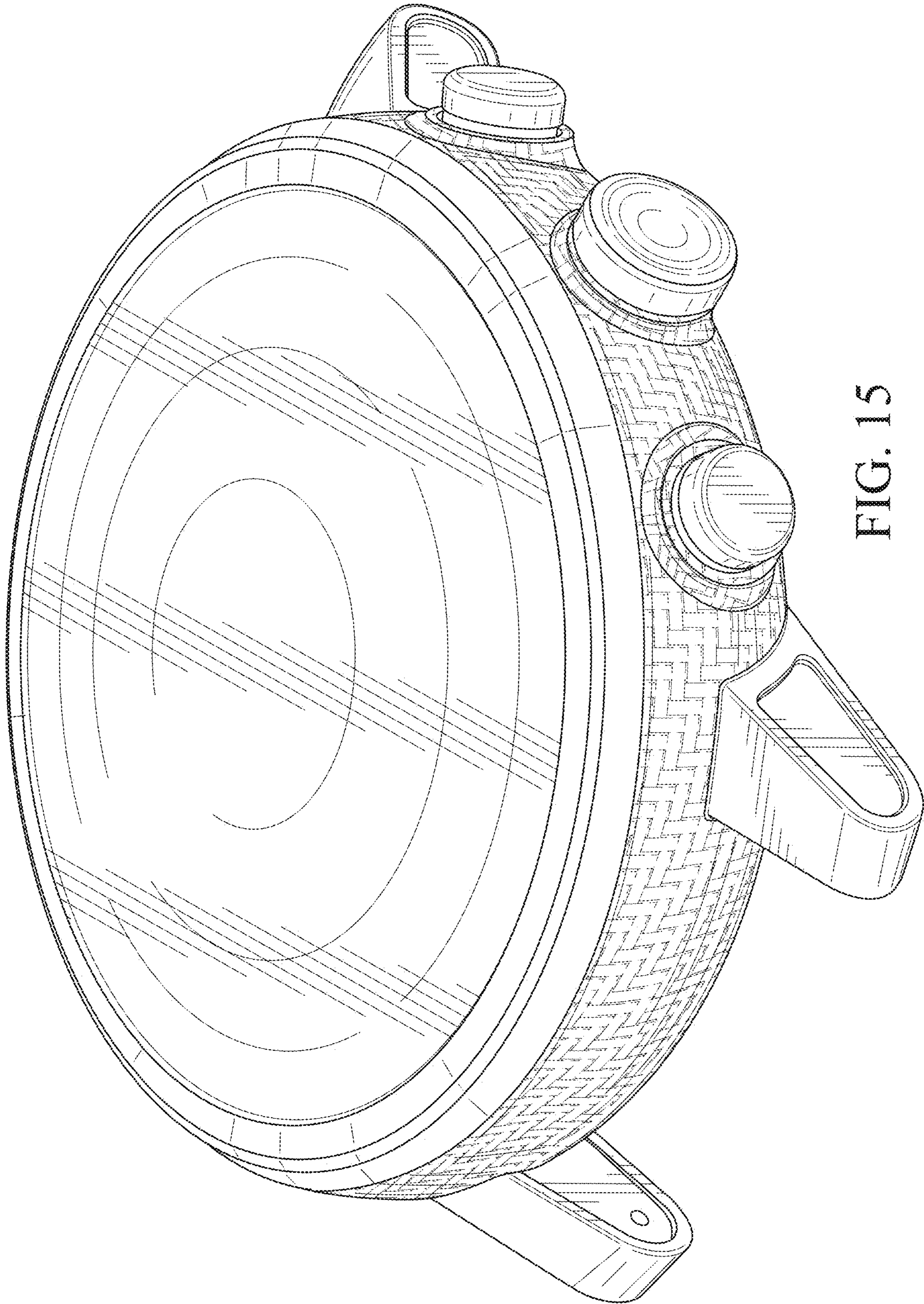


FIG. 15

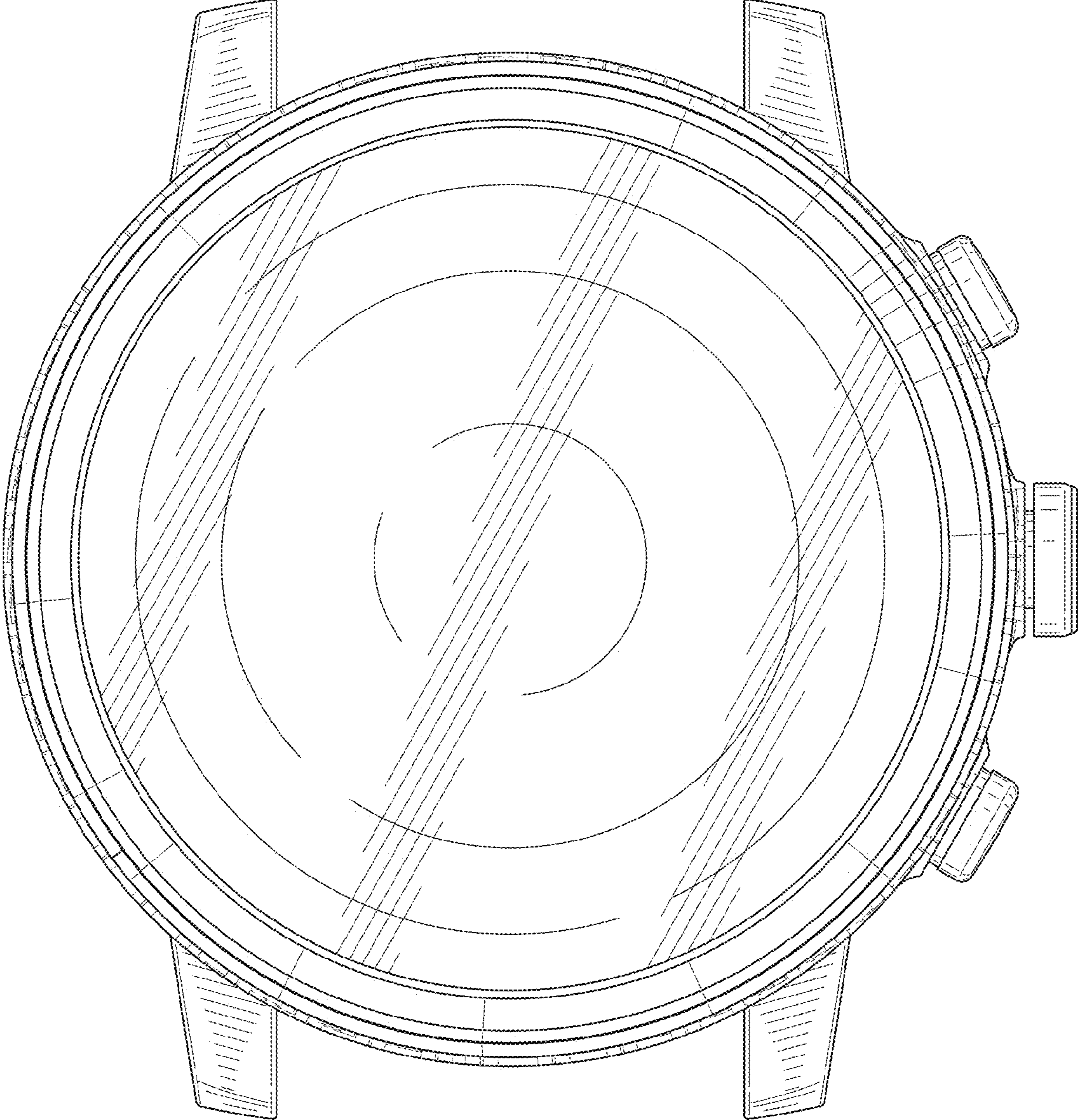


FIG. 16

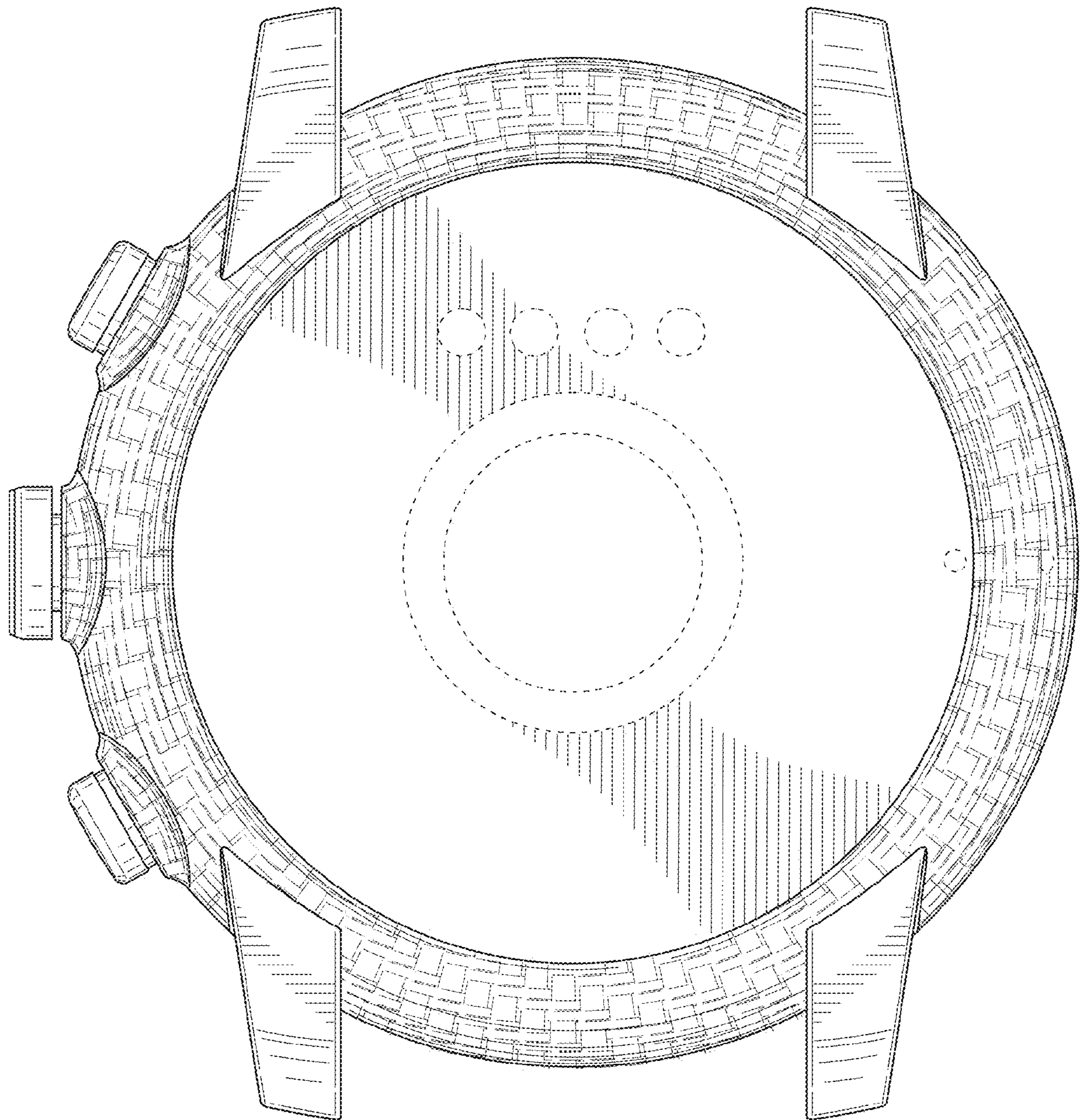


FIG. 17

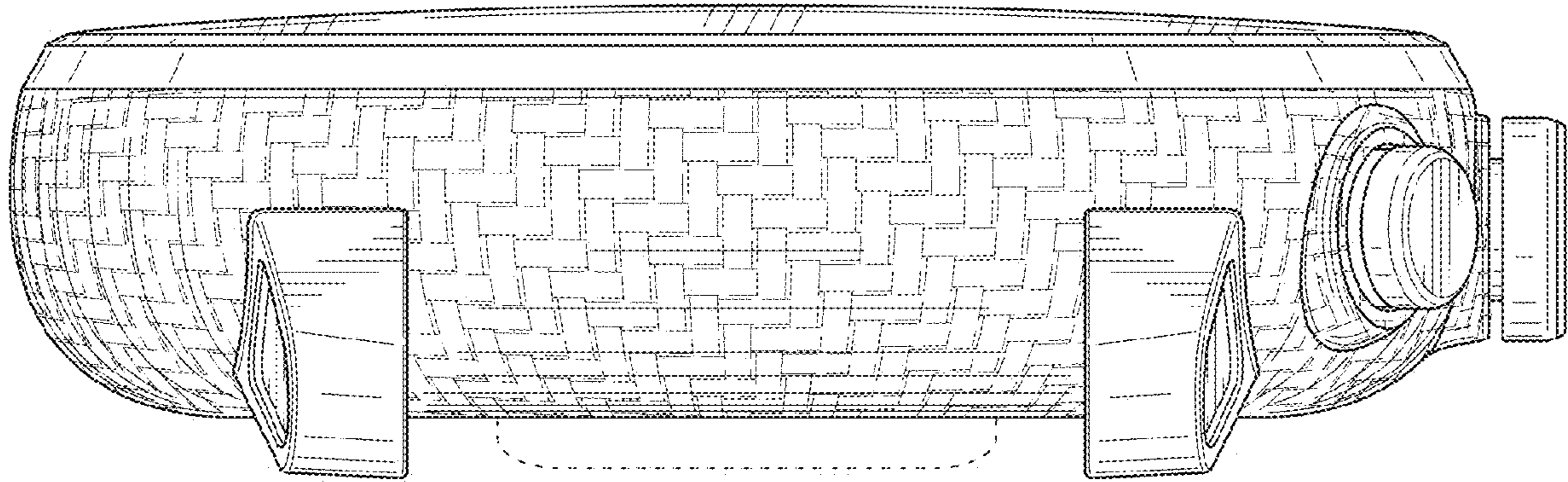


FIG. 18

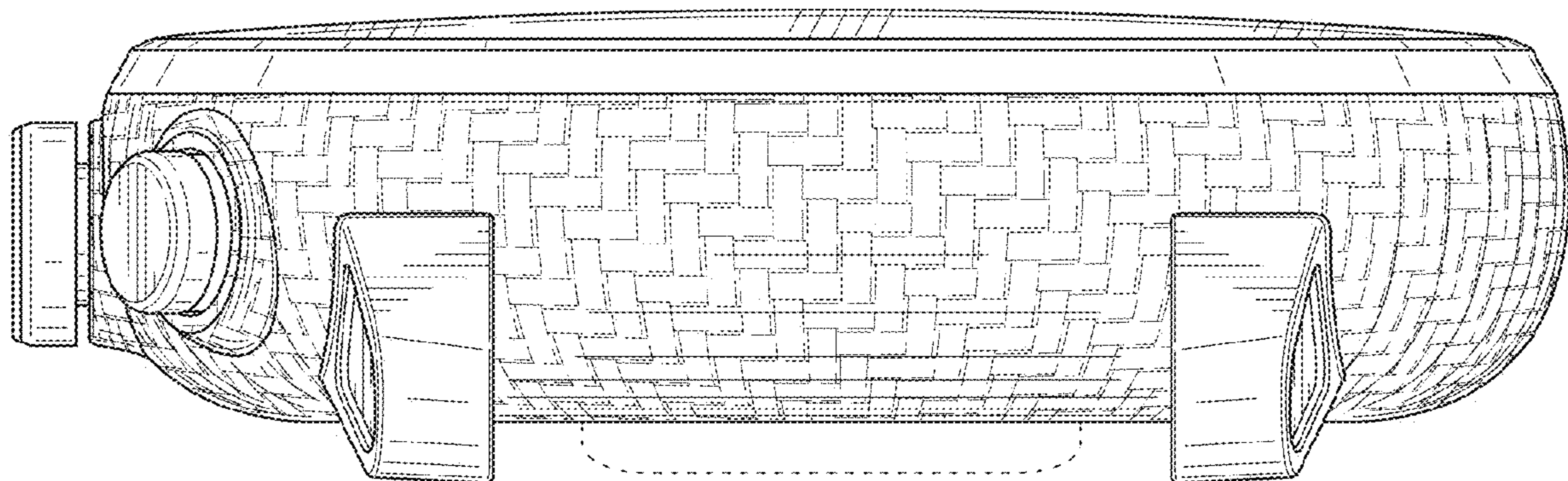


FIG. 19

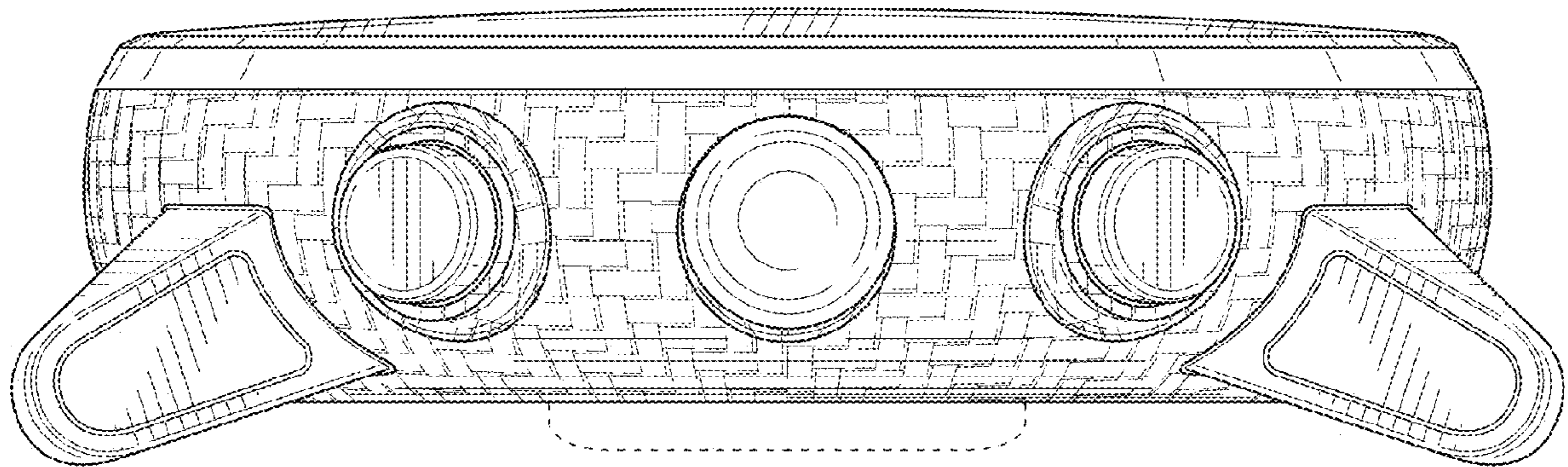


FIG. 20

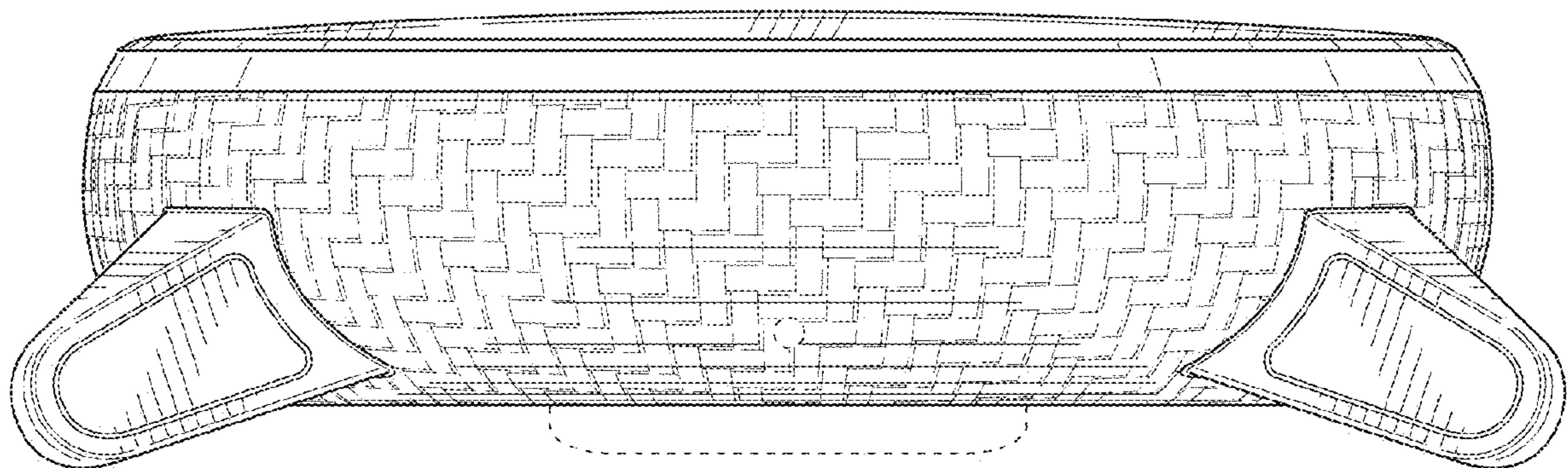


FIG. 21