



US00D889455S

(12) **United States Design Patent**
Birgeoglu

(10) **Patent No.:** **US D889,455 S**
(45) **Date of Patent:** **** Jul. 7, 2020**

- (54) **KIOSK**
- (71) Applicant: **Zivelo, Inc.**, Scottsdale, AZ (US)
- (72) Inventor: **Zubair Birgeoglu**, Scottsdale, AZ (US)
- (73) Assignee: **Zivelo, Inc.**, Scottsdale, AZ (US)
- (**) Term: **15 Years**
- (21) Appl. No.: **29/614,583**
- (22) Filed: **Aug. 21, 2017**
- (51) **LOC (12) Cl.** **14-02**
- (52) **U.S. Cl.**
USPC **D14/307**
- (58) **Field of Classification Search**
USPC D14/302-307, 900-902; D13/163;
D20/10; D21/332, 325, 369, 370;
D99/28; D6/397, 466; 194/206;
361/679.01, 679.02, 679.04, 679.21,
361/679.57, 725
CPC G06Q 20/18; G06Q 20/10; G06Q 20/123;
G06Q 20/20; G06Q 30/02; G06Q 30/06;
A47F 9/047
See application file for complete search history.

- D403,670 S 1/1999 Liao
- D415,124 S 10/1999 Rooyakkers et al.
- D415,330 S 10/1999 King
- D417,440 S 12/1999 Wilson
- D417,893 S 12/1999 Hunter et al.
- D436,999 S 1/2001 Cronley
- D442,560 S 5/2001 Price et al.
- D468,134 S 1/2003 Oikawa
- D473,554 S 4/2003 Landerholm et al.
- D493,816 S 8/2004 Butler
- D503,120 S 3/2005 Sato et al.
- D504,892 S 5/2005 Chen et al.
- D515,080 S 2/2006 Esplo
- D518,480 S 4/2006 Zheng et al.
- D525,592 S 7/2006 Nguyen
- D546,893 S 7/2007 Yamashita
- D563,405 S 3/2008 Taniho et al.
- D569,898 S 5/2008 Masuda

(Continued)

FOREIGN PATENT DOCUMENTS

KR 30-0567152 7/2010

Primary Examiner — Austin Murphy

(74) *Attorney, Agent, or Firm* — Greenberg Traurig LLP

(57) **CLAIM**

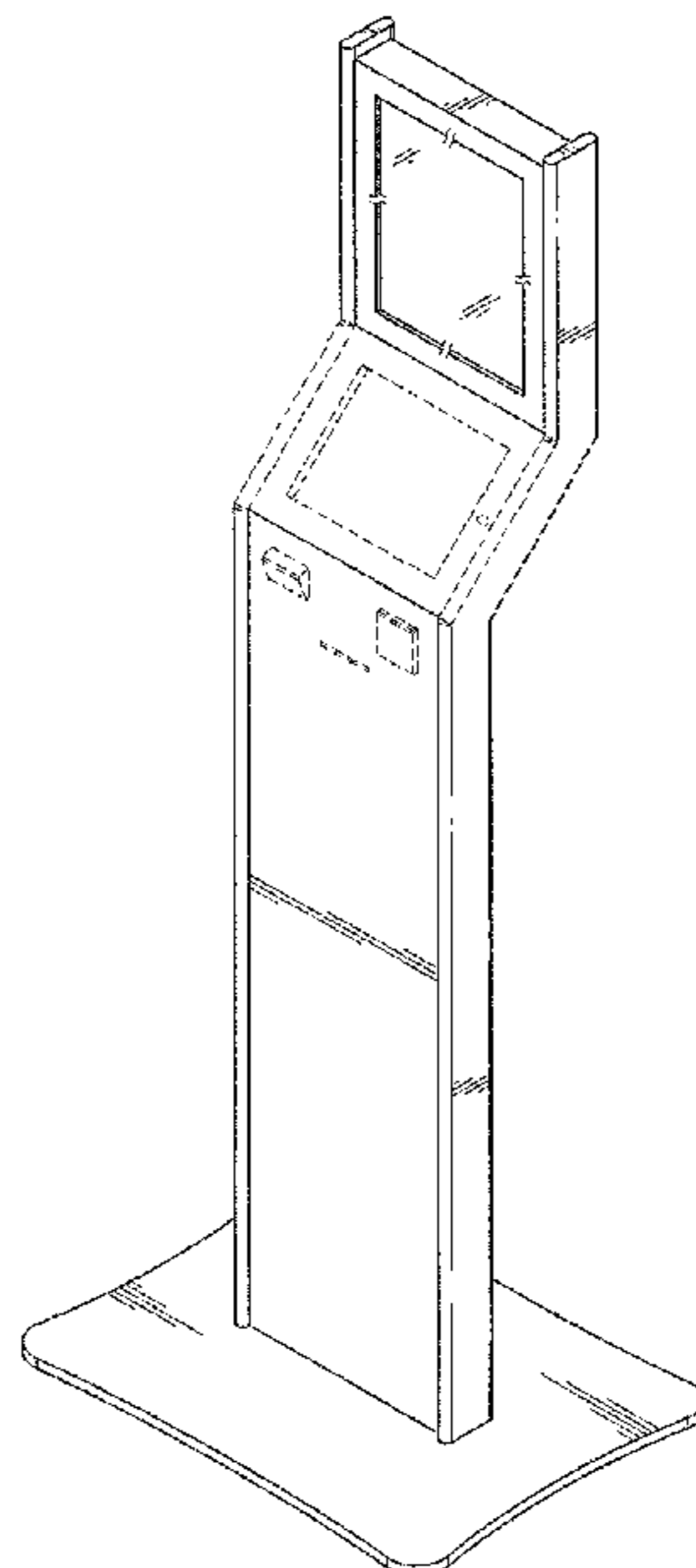
The ornamental design for a kiosk, as shown and described.

DESCRIPTION

FIG. 1 is a top, front, and right side perspective of another embodiment of a kiosk embodying my new design;
 FIG. 2 is a top, back, and right side perspective of the embodiment of FIG. 1;
 FIG. 3 is a front view of the embodiment of FIG. 1;
 FIG. 4 is a back view of the embodiment of FIG. 1;
 FIG. 5 is a right side view of the embodiment of FIG. 1;
 FIG. 6 is a left side view of the embodiment of FIG. 1;
 FIG. 7 is a top view of the embodiment of FIG. 1; and,
 FIG. 8 is a bottom view of the embodiment of FIG. 1.

1 Claim, 7 Drawing Sheets

- (56) **References Cited**
U.S. PATENT DOCUMENTS
- D327,766 S 7/1992 Swaine et al.
- D350,566 S 9/1994 Pearson
- D357,495 S 4/1995 Skaggs et al.
- D360,764 S 8/1995 Collins
- D364,382 S 11/1995 Yamamoto
- D377,012 S 12/1996 Oslund
- D377,784 S 2/1997 Wilson
- D378,082 S 2/1997 Wilson
- D389,522 S 1/1998 Hesselbach et al.
- D391,565 S 3/1998 Nanjo
- D397,562 S 9/1998 DePottey et al.



(56)

References Cited

U.S. PATENT DOCUMENTS

D572,942 S	7/2008	Robbins et al.	D707,677 S	6/2014	Azuma
D574,377 S	8/2008	Derocher et al.	D708,459 S	7/2014	Heirakuji et al.
D585,943 S	2/2009	Pymm et al.	D709,952 S	7/2014	Logan et al.
D587,296 S	2/2009	Kuramochi	D711,472 S	8/2014	Rotelli, III et al.
D587,700 S	3/2009	Corti et al.	D711,870 S	8/2014	Johnson et al.
D589,830 S	4/2009	Friedli	D713,840 S	9/2014	Daniel
D590,387 S	4/2009	Chen	D717,785 S	11/2014	Winston et al.
D594,068 S	6/2009	Hsu	D721,695 S	1/2015	Birgeoglu
D605,189 S	12/2009	Kuroda	D721,696 S *	1/2015	Birgeoglu D14/307
D605,191 S	12/2009	Kuroda et al.	D722,313 S *	2/2015	Birgeoglu D14/307
D621,513 S	8/2010	Cinqualbre	D722,794 S	2/2015	Luong
D627,397 S	11/2010	Horn et al.	D723,025 S *	2/2015	Birgeoglu D14/307
D637,595 S	5/2011	Mizusugi	D723,026 S	2/2015	Birgeoglu
D639,800 S	6/2011	Magruder	D726,706 S	4/2015	Kraft et al.
D646,269 S	10/2011	Crick, Jr. et al.	D727,308 S	4/2015	Kraft et al.
D648,818 S	11/2011	Zalar	D732,520 S	6/2015	Themann
D653,835 S	2/2012	Strempack et al.	D732,521 S *	6/2015	Chadbourne D14/307
D661,124 S	6/2012	Curbbun et al.	D732,522 S	6/2015	Chadbourne et al.
D661,291 S	6/2012	Renukanand et al.	D734,314 S	7/2015	Swaine et al.
D661,292 S	6/2012	Kuroda et al.	D734,315 S *	7/2015	Masuda D14/307
D661,293 S	6/2012	Kuroda et al.	D751,061 S	3/2016	Berini
D662,329 S	6/2012	Arko et al.	D752,032 S	3/2016	Taylor
D665,555 S	8/2012	Lee et al.	D762,635 S	8/2016	Szeredi et al.
D669,464 S	10/2012	Birgeoglu	D767,559 S	9/2016	Pfeiffer
D669,891 S	10/2012	Bowles et al.	D777,722 S	1/2017	Murphy
D675,608 S	2/2013	Ono	D780,744 S	3/2017	Birgeoglu
D675,610 S	2/2013	Ono	D782,466 S	3/2017	Yepez et al.
D676,038 S *	2/2013	Masuda D14/307	D783,015 S	4/2017	Birnie et al.
D681,030 S	4/2013	Yepez	D783,596 S	4/2017	Payne et al.
D681,639 S	5/2013	Cruz et al.	D795,242 S *	8/2017	Birgeoglu D14/307
D690,293 S	9/2013	Wilson	D806,698 S	1/2018	Thompson
D692,885 S	11/2013	Cruz	D811,381 S	2/2018	Morohoshi et al.
D693,607 S	11/2013	Johnson et al.	D836,098 S *	12/2018	Vaananen D14/307
D695,285 S	12/2013	Smith et al.	D836,099 S *	12/2018	Vaananen D14/307
D697,062 S	1/2014	Nagai et al.	D848,414 S *	5/2019	Gardens D14/307
D702,675 S	4/2014	Jones	D853,378 S *	7/2019	Vaananen D14/307
D702,676 S	4/2014	Smith et al.	D864,947 S *	10/2019	van de Poll D14/307
D705,213 S	5/2014	Smith et al.	2002/0124271 A1	9/2002	Herrmann et al.
D707,012 S	6/2014	Swaine et al.	2002/0198034 A1	12/2002	Wang
D707,674 S	6/2014	Daniel	2007/0143341 A1	6/2007	Brownell et al.
D707,676 S	6/2014	Azuma	2009/0289104 A1	11/2009	Yoneda
			2011/0192681 A1	8/2011	Johnson et al.
			2012/0059727 A1	3/2012	Dameron et al.

* cited by examiner

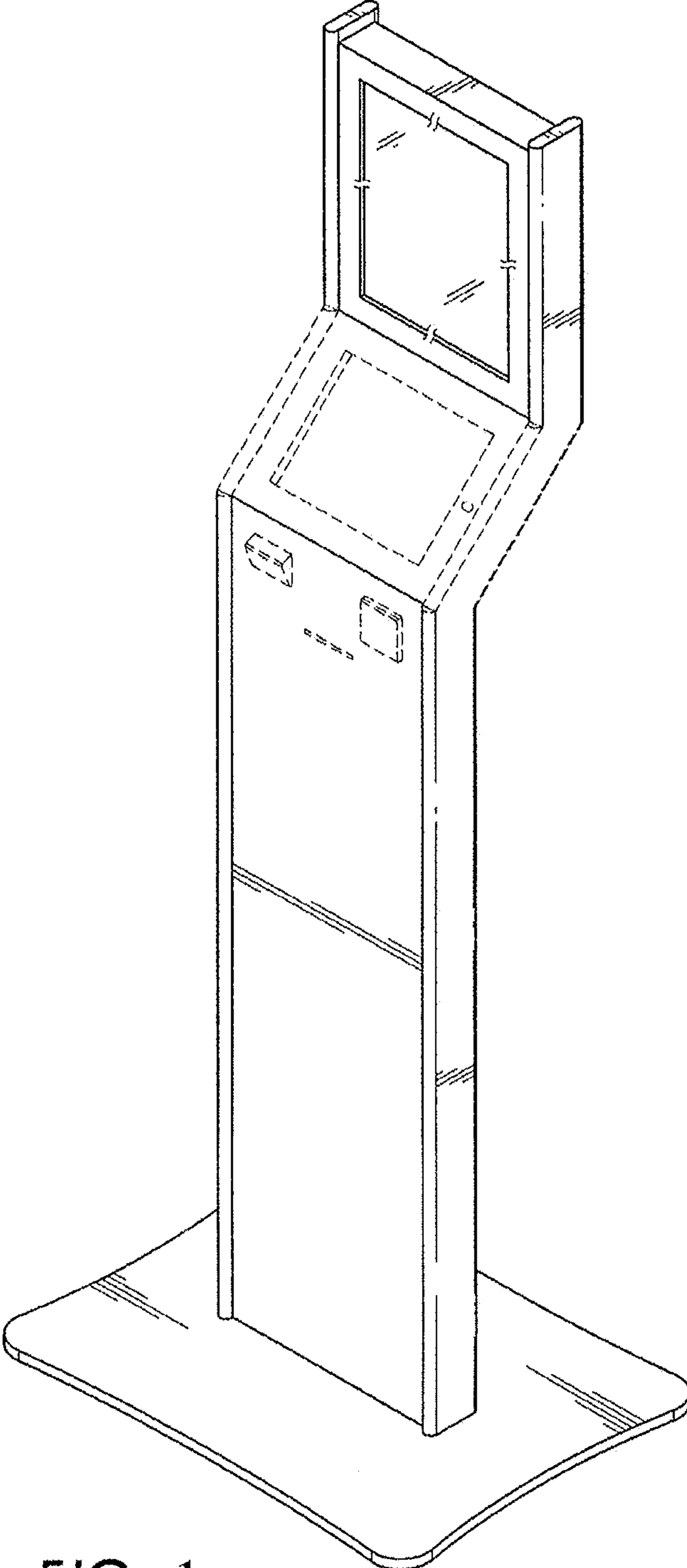


FIG. 1

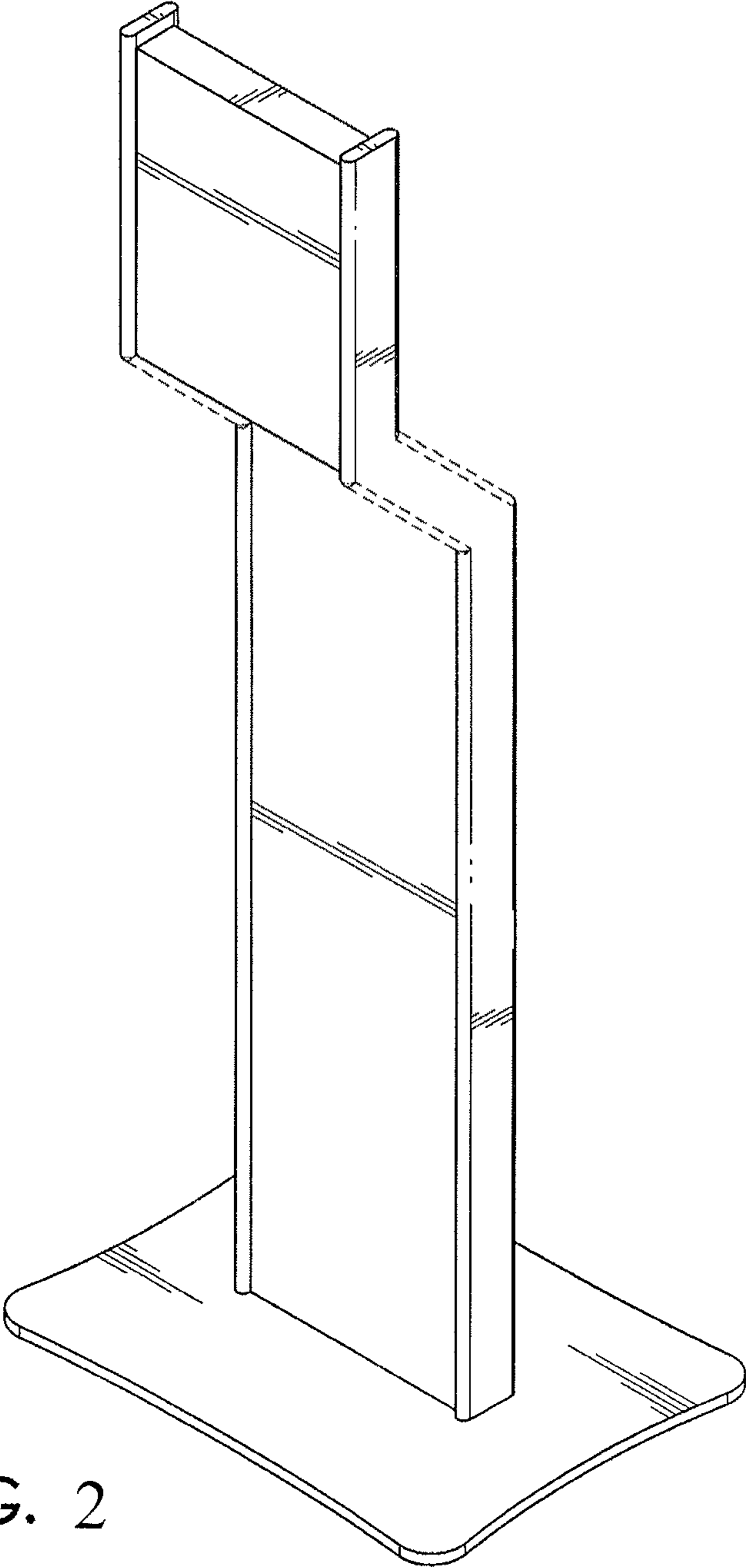


FIG. 2

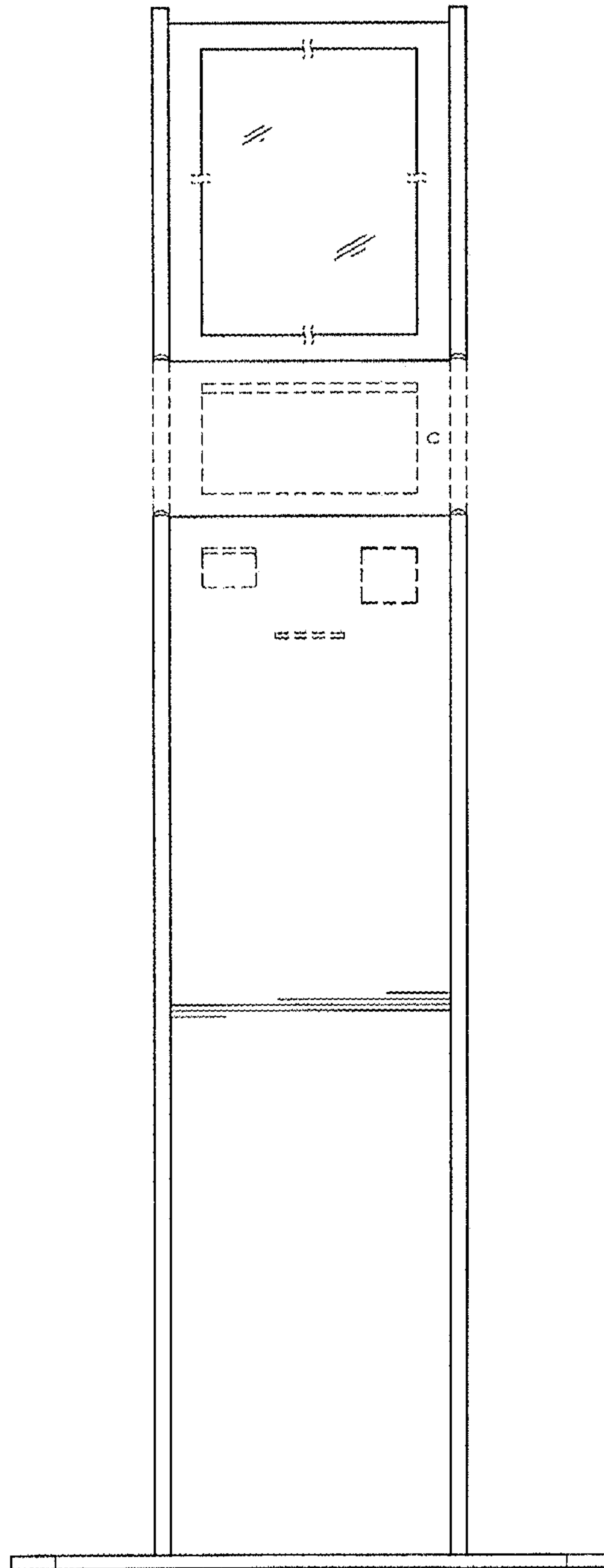


FIG. 3

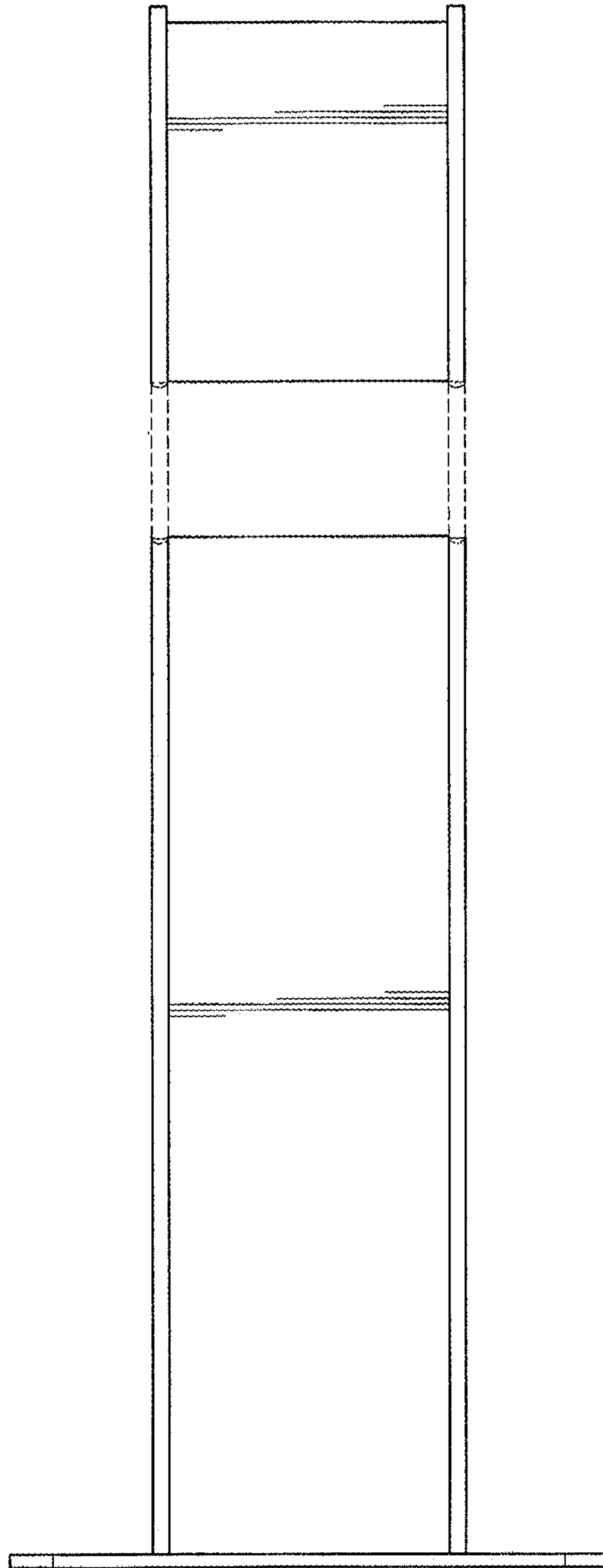


FIG. 4

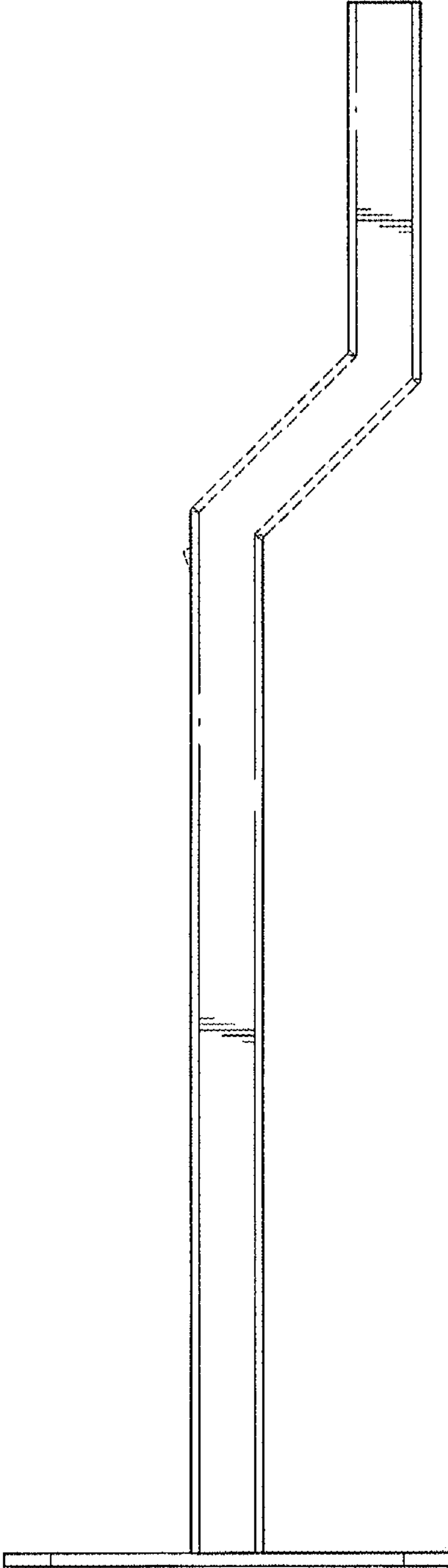


FIG. 5

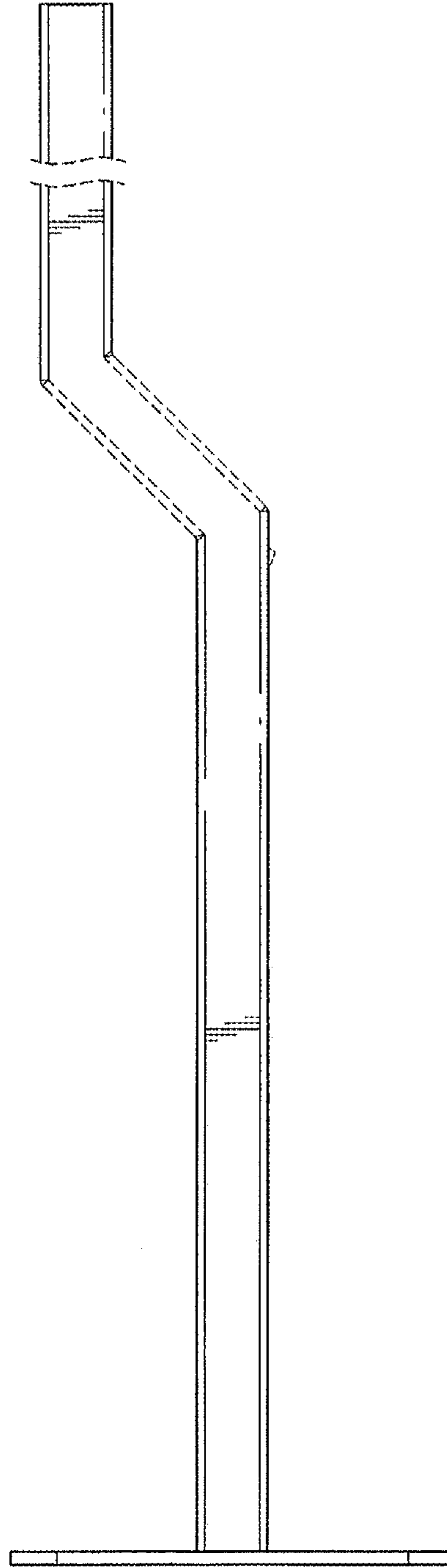


FIG. 6

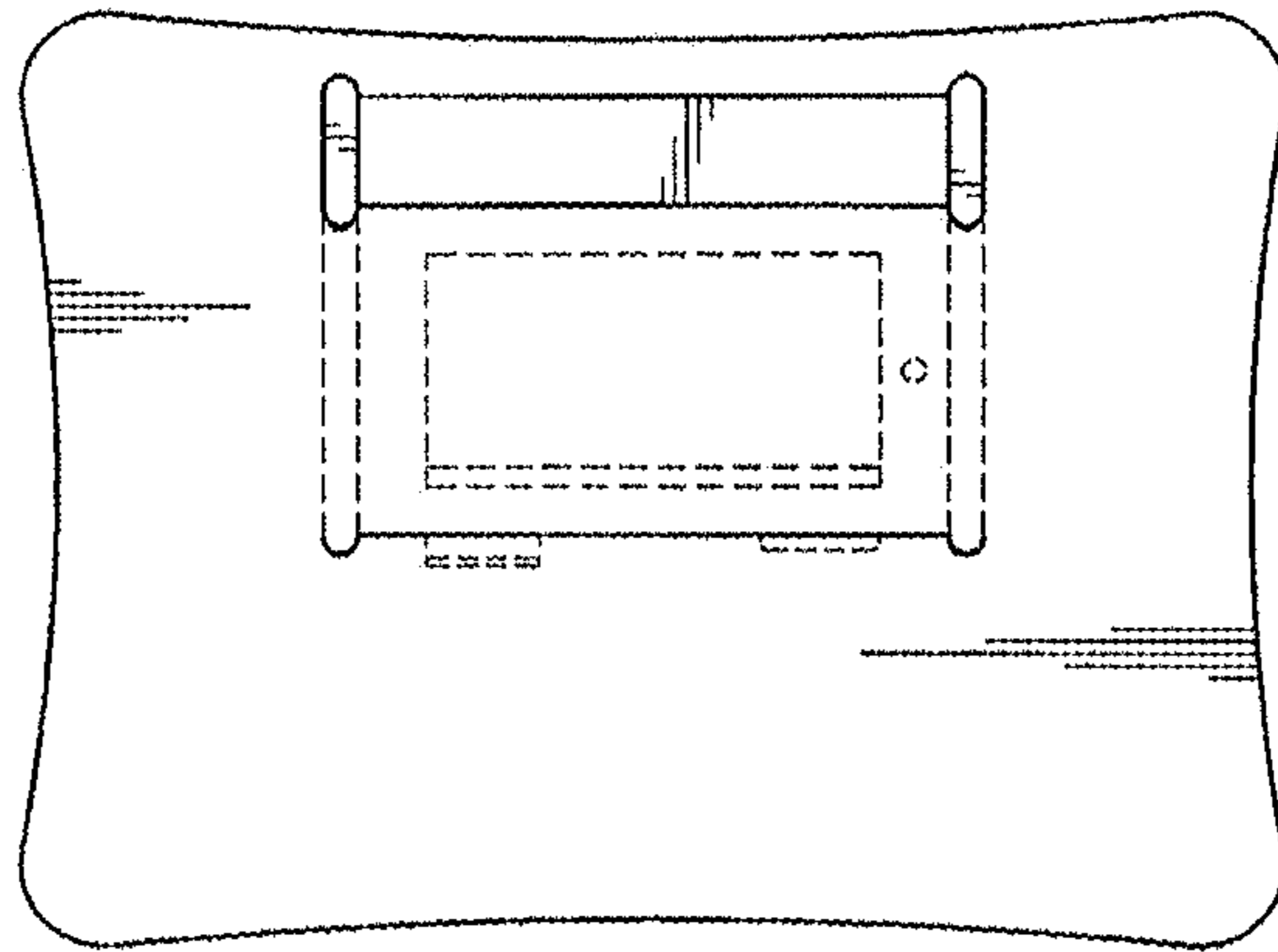


FIG. 7

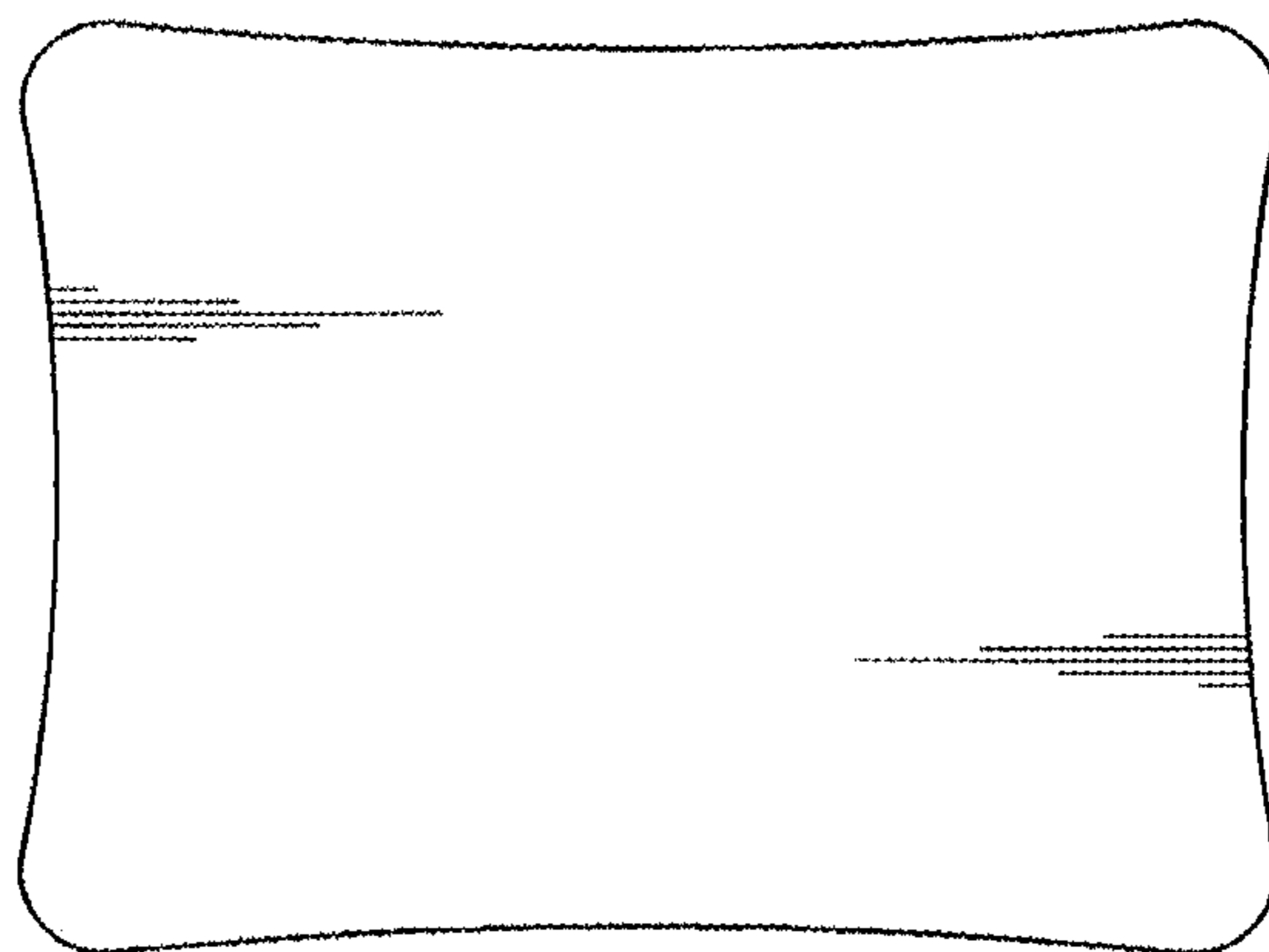


FIG. 8