



US00D889454S

(12) **United States Design Patent**
Liu

(10) **Patent No.:** **US D889,454 S**
(45) **Date of Patent:** **** Jul. 7, 2020**

(54) **MOBILE PHONE HOLDER**

(71) Applicant: **SHENZHEN AMAZTEC CO., LTD,**
Shenzhen (CN)

(72) Inventor: **Dejun Liu,** Shenzhen (CN)

(73) Assignee: **SHENZHEN AMAZTEC CO., LTD,**
Shenzhen (CN)

(**) Term: **15 Years**

(21) Appl. No.: **29/696,262**

(22) Filed: **Jun. 26, 2019**

(51) **LOC (12) Cl.** **14-03**

(52) **U.S. Cl.**
USPC **D14/253**

(58) **Field of Classification Search**
USPC D14/251–253, 447, 452, 432–434, 440;
D12/415; D3/218; D8/349, 363
CPC H04M 1/02; H04M 1/04; B60R 11/02;
F16M 11/00; F16M 11/04; F16M 11/06
See application file for complete search history.

(56) **References Cited**

U.S. PATENT DOCUMENTS

D646,674 S *	10/2011	Liao	D14/253
D685,379 S *	7/2013	Richter	D14/253
D685,380 S *	7/2013	Richter	D14/253
D691,991 S *	10/2013	Mohan	D14/250
D695,732 S *	12/2013	Baumann	D14/253
D705,211 S *	5/2014	Huang	D14/253
D709,066 S *	7/2014	Byun	D14/253
D709,074 S *	7/2014	Tsui	D14/447
D716,215 S *	10/2014	Dunn	D12/415
D718,297 S *	11/2014	Aspinall	D14/253
D736,217 S *	8/2015	Wang	D14/451
D742,387 S *	11/2015	Xiang	D14/447
D750,612 S *	3/2016	Chen	D14/253
D752,571 S *	3/2016	Richter	D14/253

D770,171 S *	11/2016	Lai	D14/253
D783,014 S *	4/2017	Chun	D14/253
D784,923 S *	4/2017	Song	D13/108
D784,977 S *	4/2017	Ormsbee	D14/253
D799,466 S *	10/2017	Sukphist	D14/253
D832,247 S *	10/2018	Sukphist	D14/253
D832,248 S *	10/2018	Sukphist	D14/253
D833,369 S *	11/2018	Lan	D12/415
D839,868 S *	2/2019	Lee	D14/253
D840,388 S *	2/2019	Wieth	D14/251
D840,994 S *	2/2019	Balmer	D14/253
D852,188 S *	6/2019	He	D14/253
D858,509 S *	9/2019	Yao	D14/253
D859,286 S *	9/2019	He	D12/415
D859,393 S *	9/2019	Dang	D14/253
D859,395 S *	9/2019	Yao	D14/253
D860,190 S *	9/2019	Liao	D14/253
D861,670 S *	10/2019	Li	D14/253
D862,454 S *	10/2019	Chun	D14/253
D863,290 S *	10/2019	Ormsbee	D14/253
D864,092 S *	10/2019	Zhang	D12/415
D864,185 S *	10/2019	Chen	D14/253

(Continued)

Primary Examiner — Janice Hallmark

(74) *Attorney, Agent, or Firm* — Benjamin C. Armitage;
Billion & Armitage

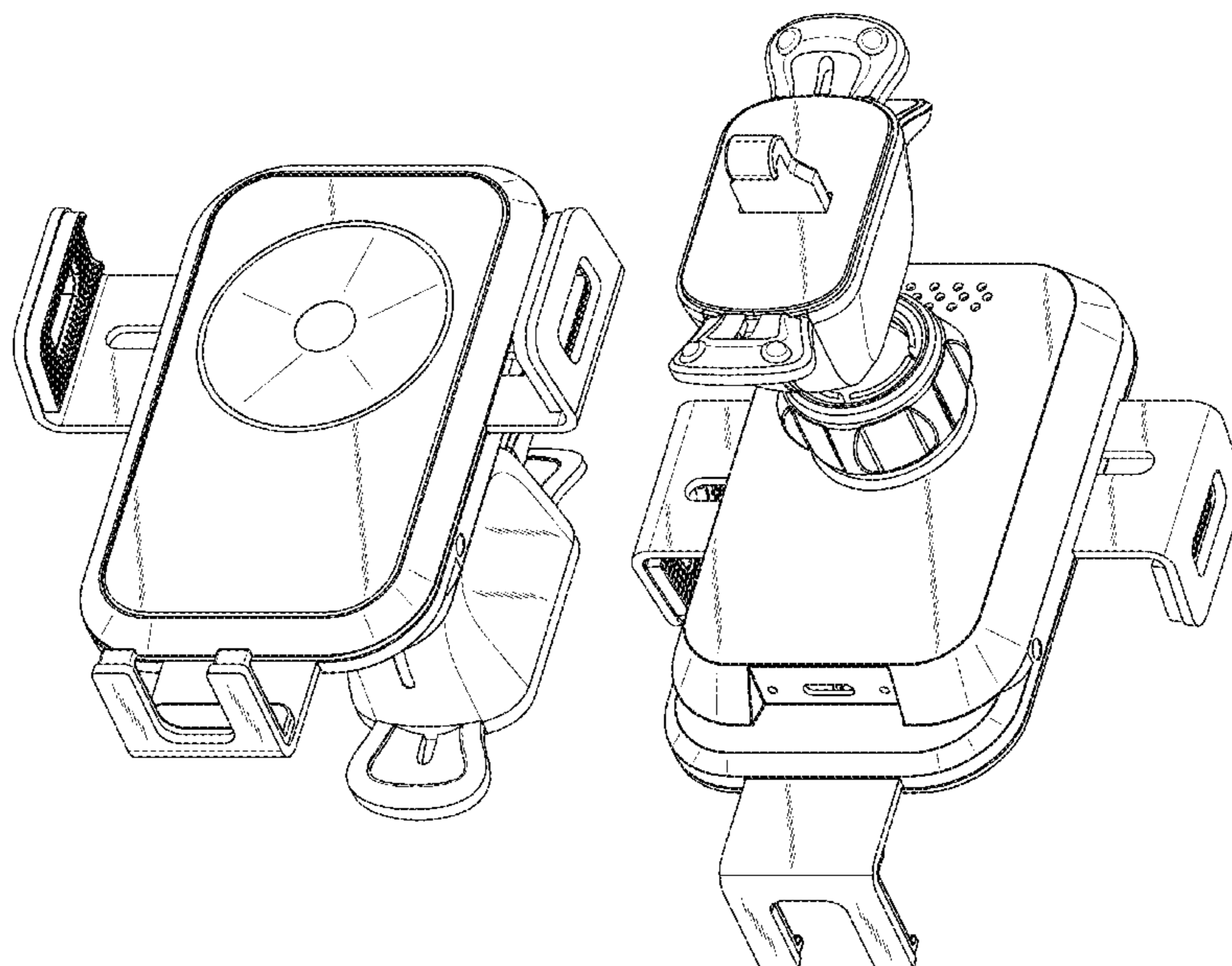
(57) **CLAIM**

The ornamental design for mobile phone holder, as shown and described.

DESCRIPTION

FIG. 1 is a front view showing our design thereof;
FIG. 2 is a rear view;
FIG. 3 is a left view;
FIG. 4 is a right view;
FIG. 5 is a top view;
FIG. 6 is a bottom view;
FIG. 7 is a first perspective view; and,
FIG. 8 is a second perspective view.

1 Claim, 8 Drawing Sheets



(56)

References Cited

U.S. PATENT DOCUMENTS

D864,187	S *	10/2019	Vogel	D14/253
D872,014	S *	1/2020	Zhang	D13/108
D873,260	S *	1/2020	Dang	D14/253
D873,272	S *	1/2020	Dang	D14/447
D875,090	S *	2/2020	Leeds-Frank	D14/253
D877,688	S *	3/2020	Liu	D12/415
D879,090	S *	3/2020	Chung	D14/253
D879,766	S *	3/2020	Fan	D14/253
D881,200	S *	4/2020	Leeds-Frank	D14/447
D881,201	S *	4/2020	Lou	D14/447
D881,868	S *	4/2020	Zhang	D14/253
D882,560	S *	4/2020	Liao	D14/253
D883,271	S *	5/2020	Liao	D14/253
D883,274	S *	5/2020	Liu	D14/253
2007/0284500	A1 *	12/2007	Fan	H04M 1/04 248/346.06
2010/0295228	A1 *	11/2010	Woody	B60R 11/0258 269/254 R
2012/0267406	A1 *	10/2012	Fan	B60R 11/02 224/482
2014/0145051	A1 *	5/2014	Gwag	F16M 11/2092 248/298.1
2015/0072555	A1 *	3/2015	Riddiford	F16M 11/041 439/575
2019/0185094	A1 *	6/2019	Vogel	F16B 1/00

* cited by examiner

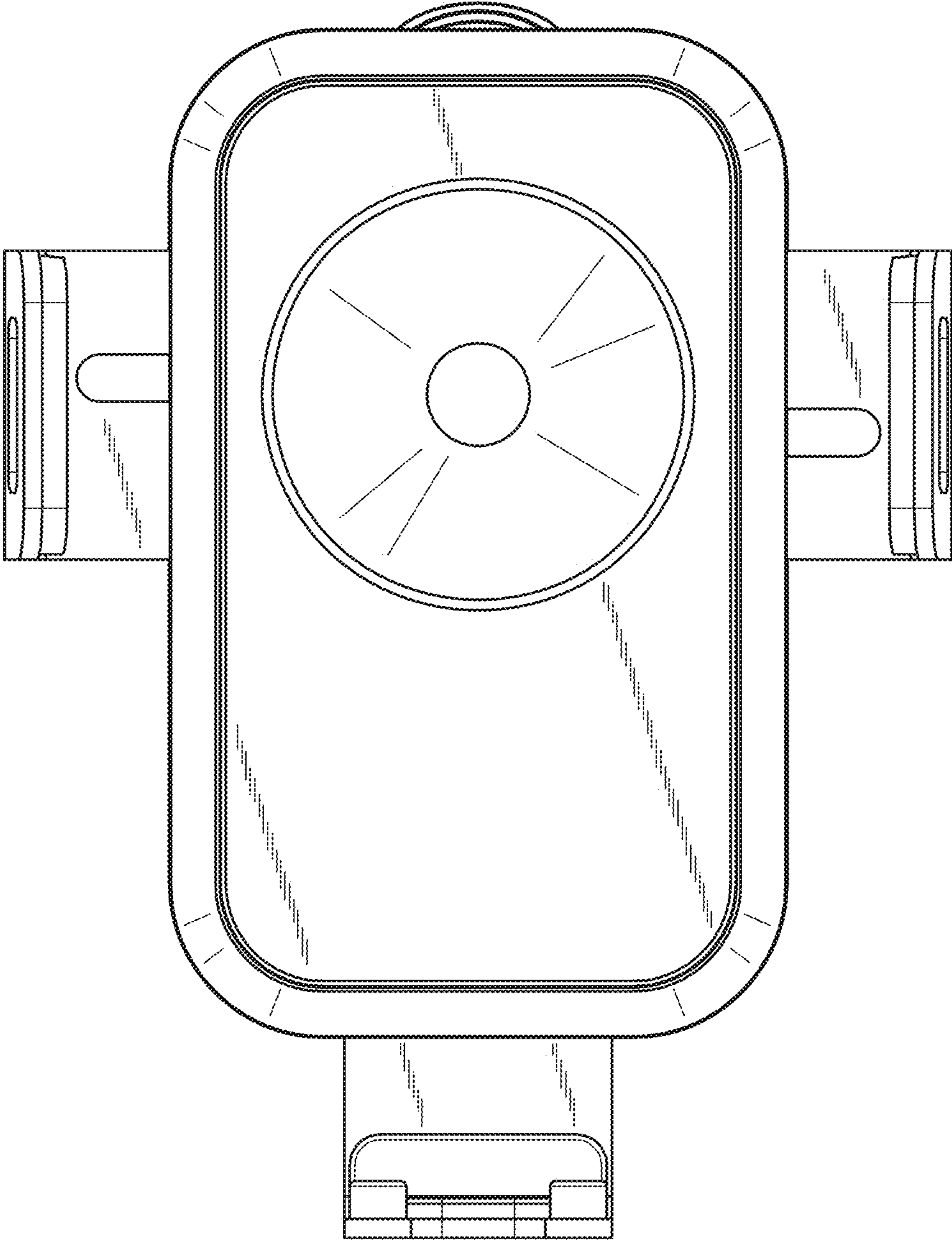


FIG. 1

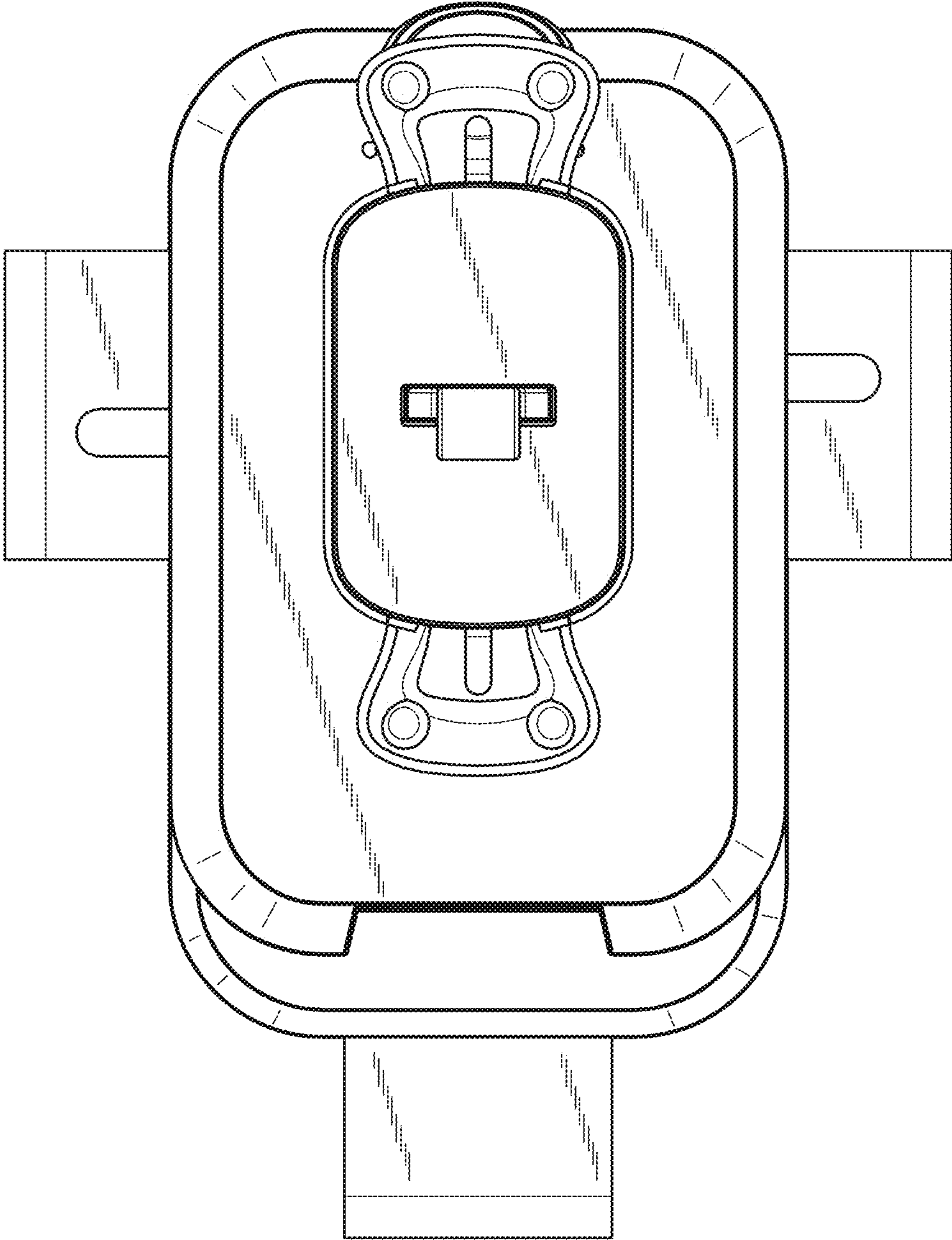


FIG. 2

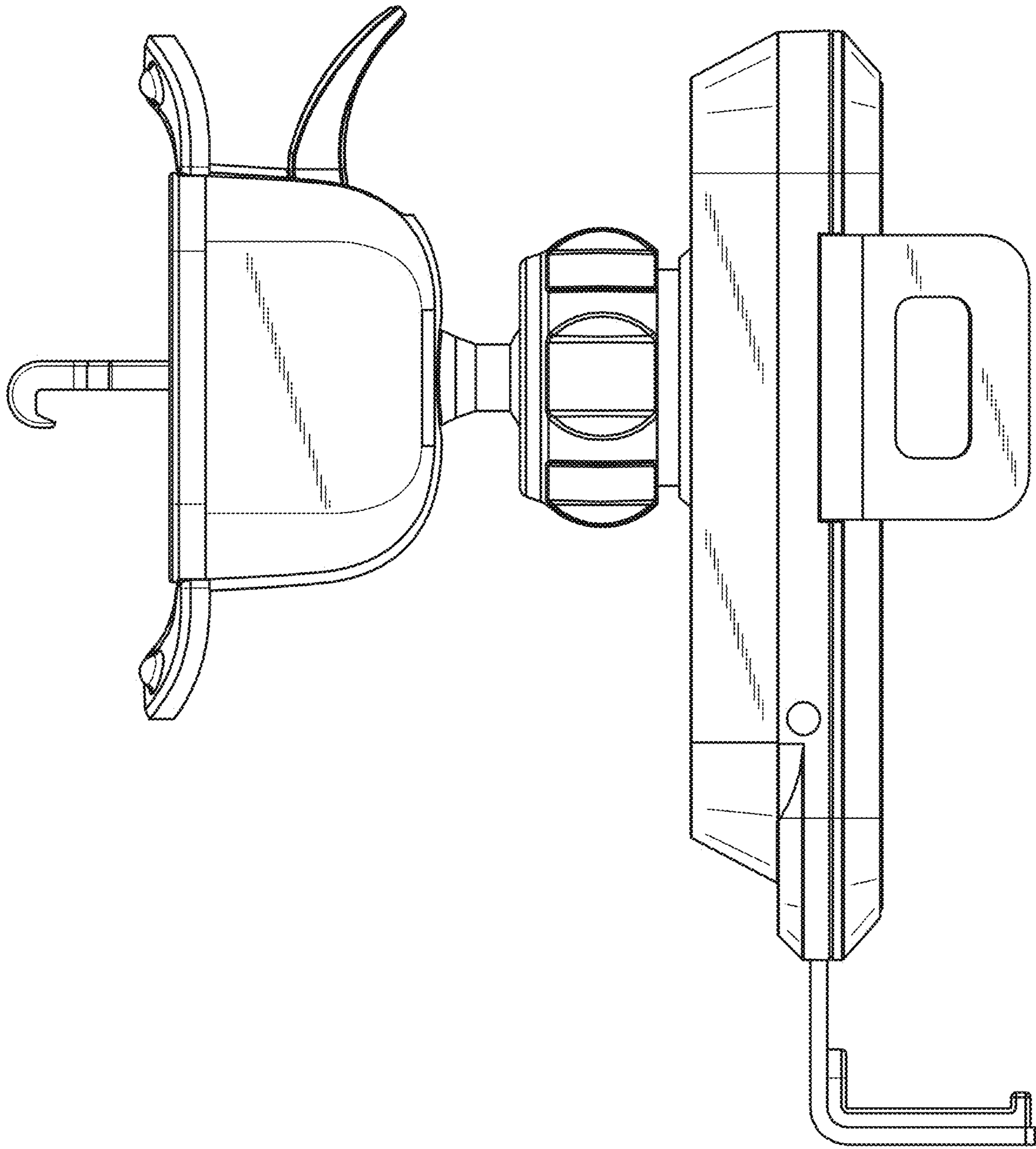


FIG. 3

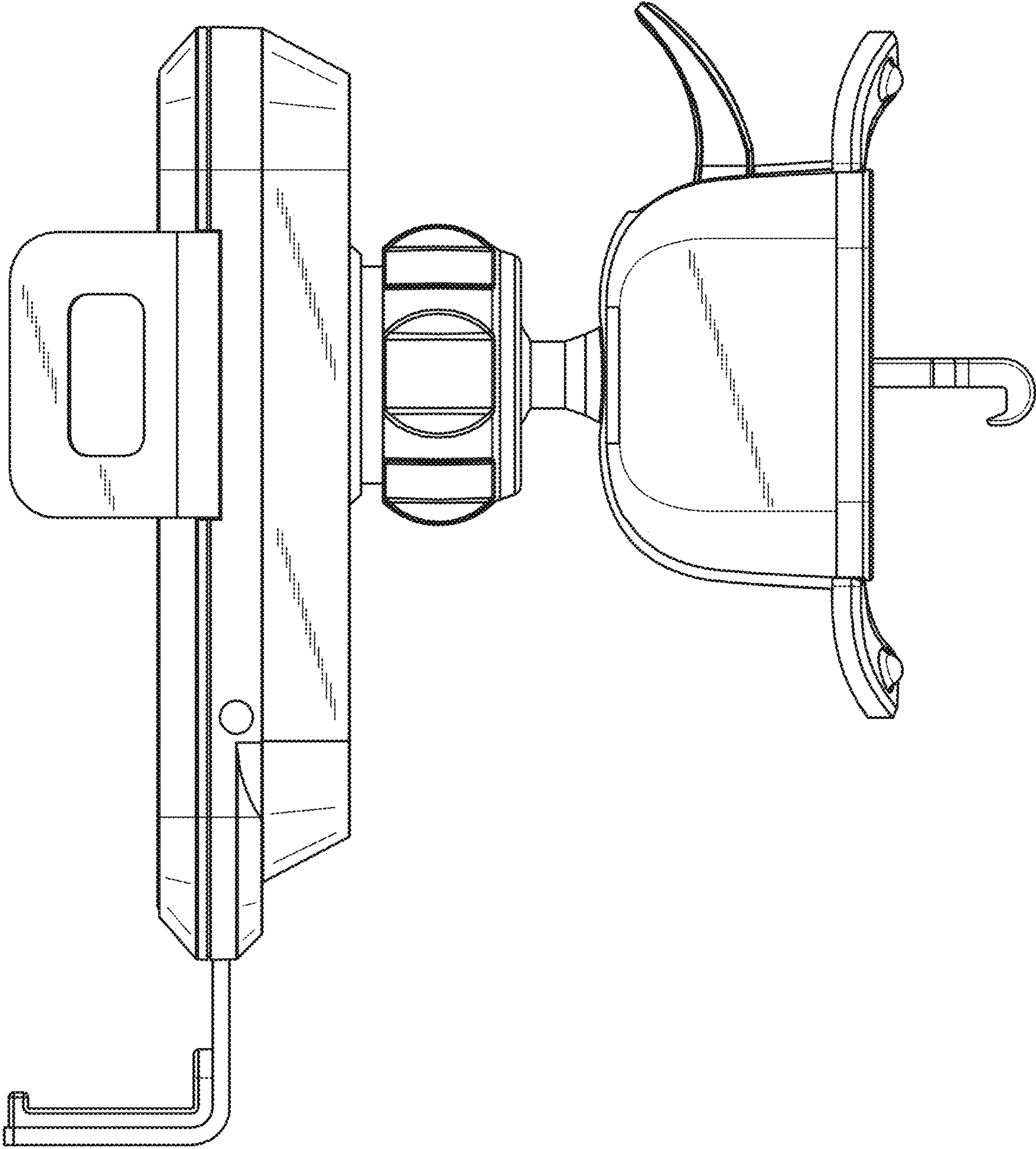


FIG. 4

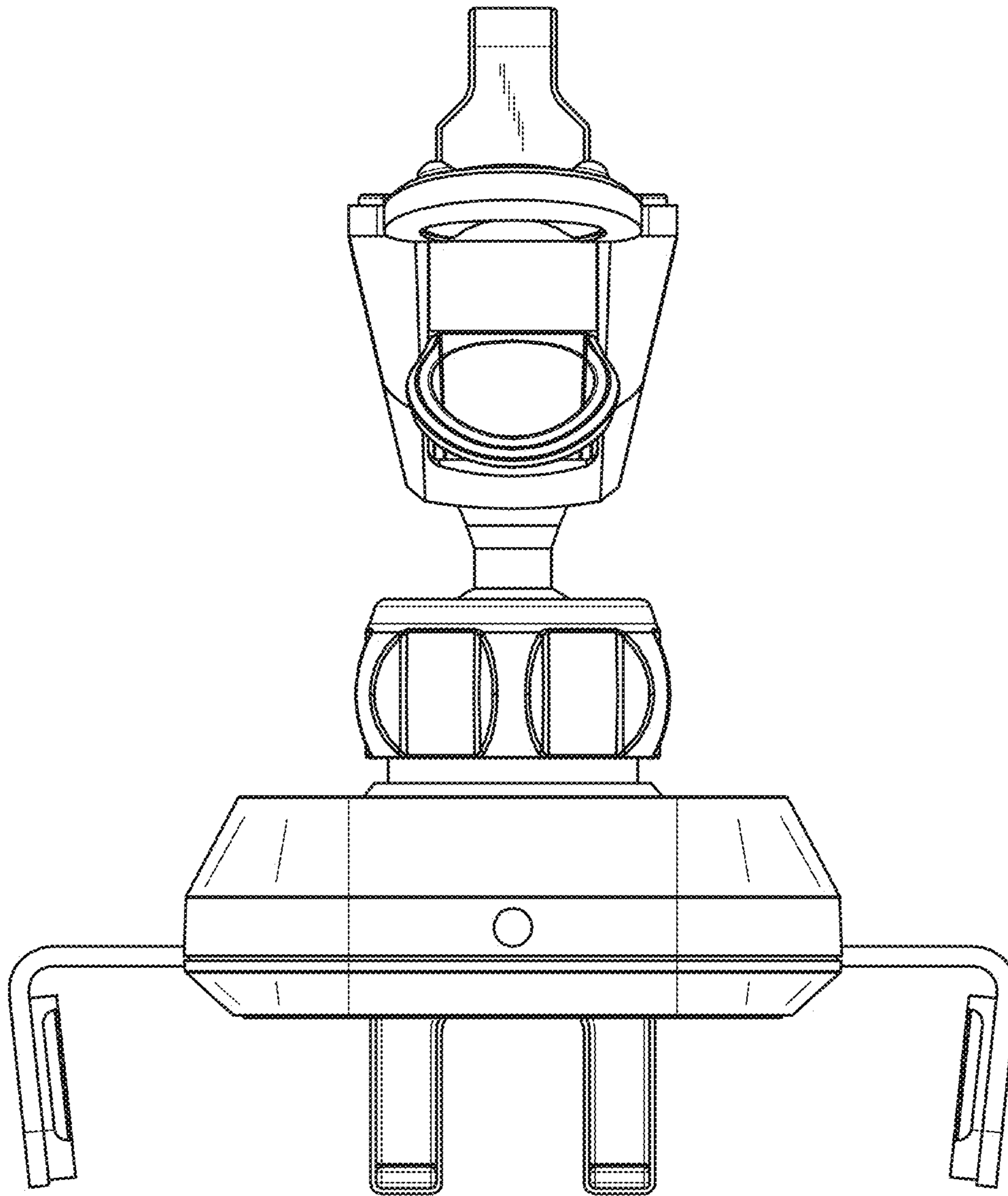


FIG. 5

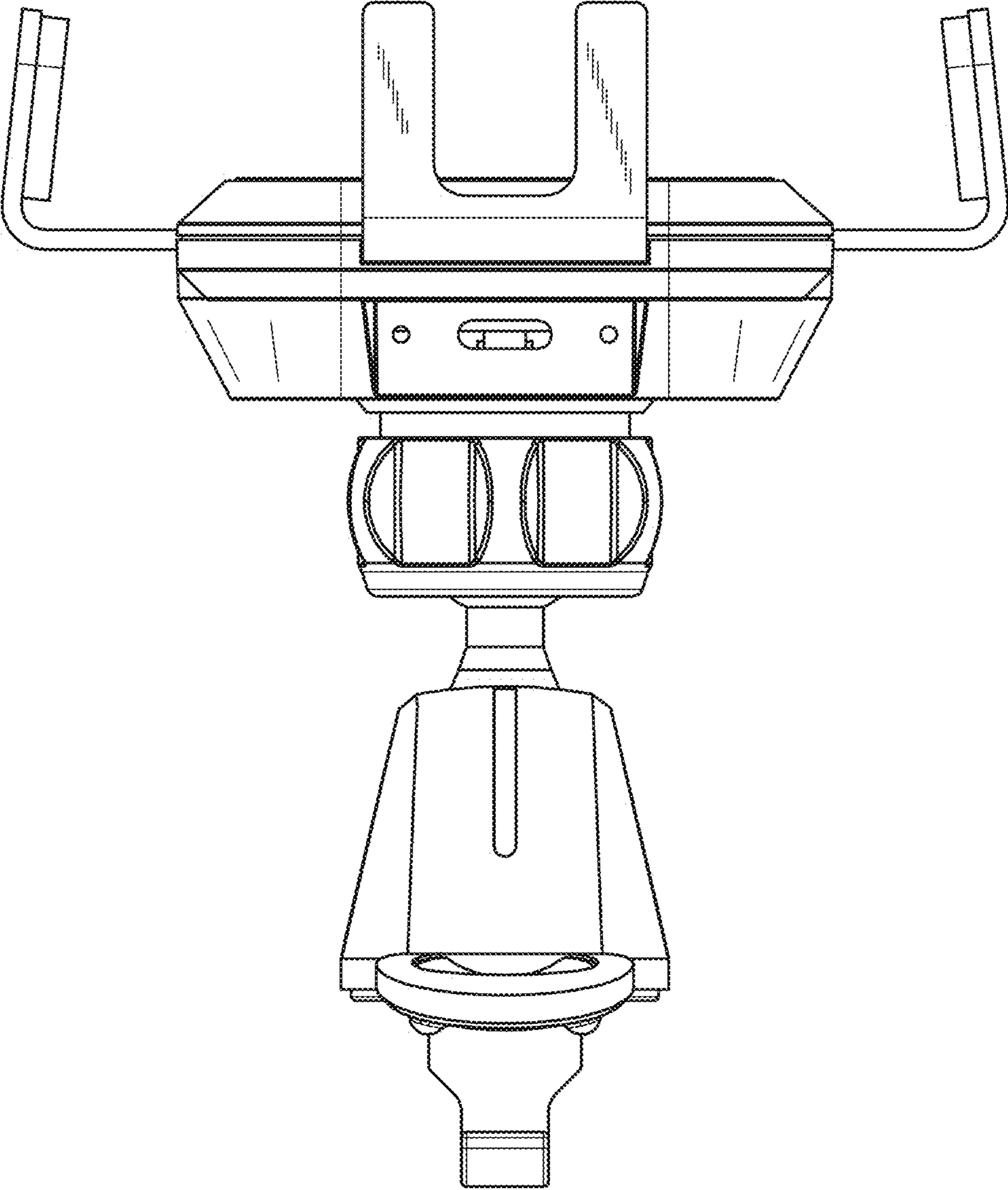


FIG. 6

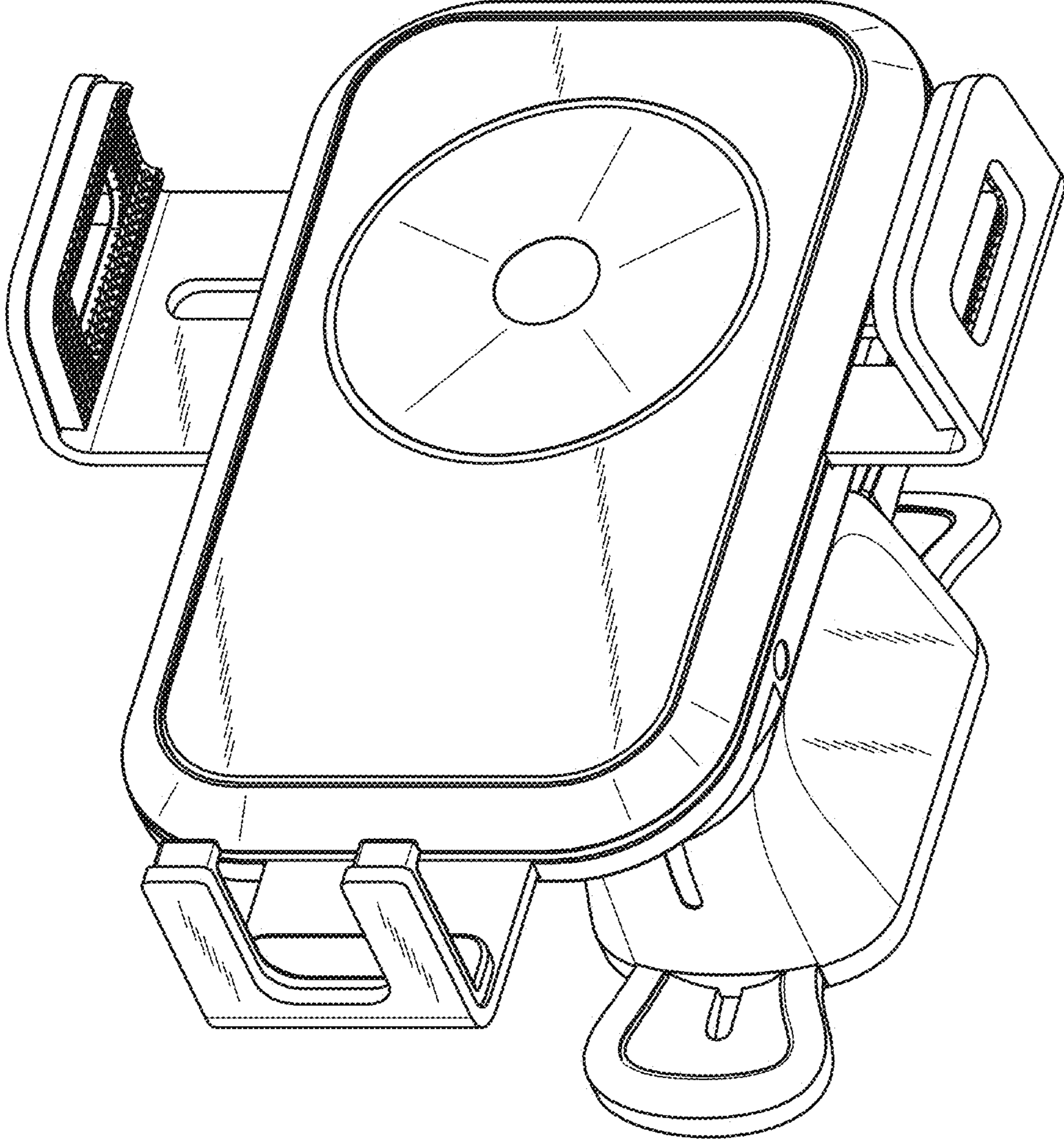


FIG. 7

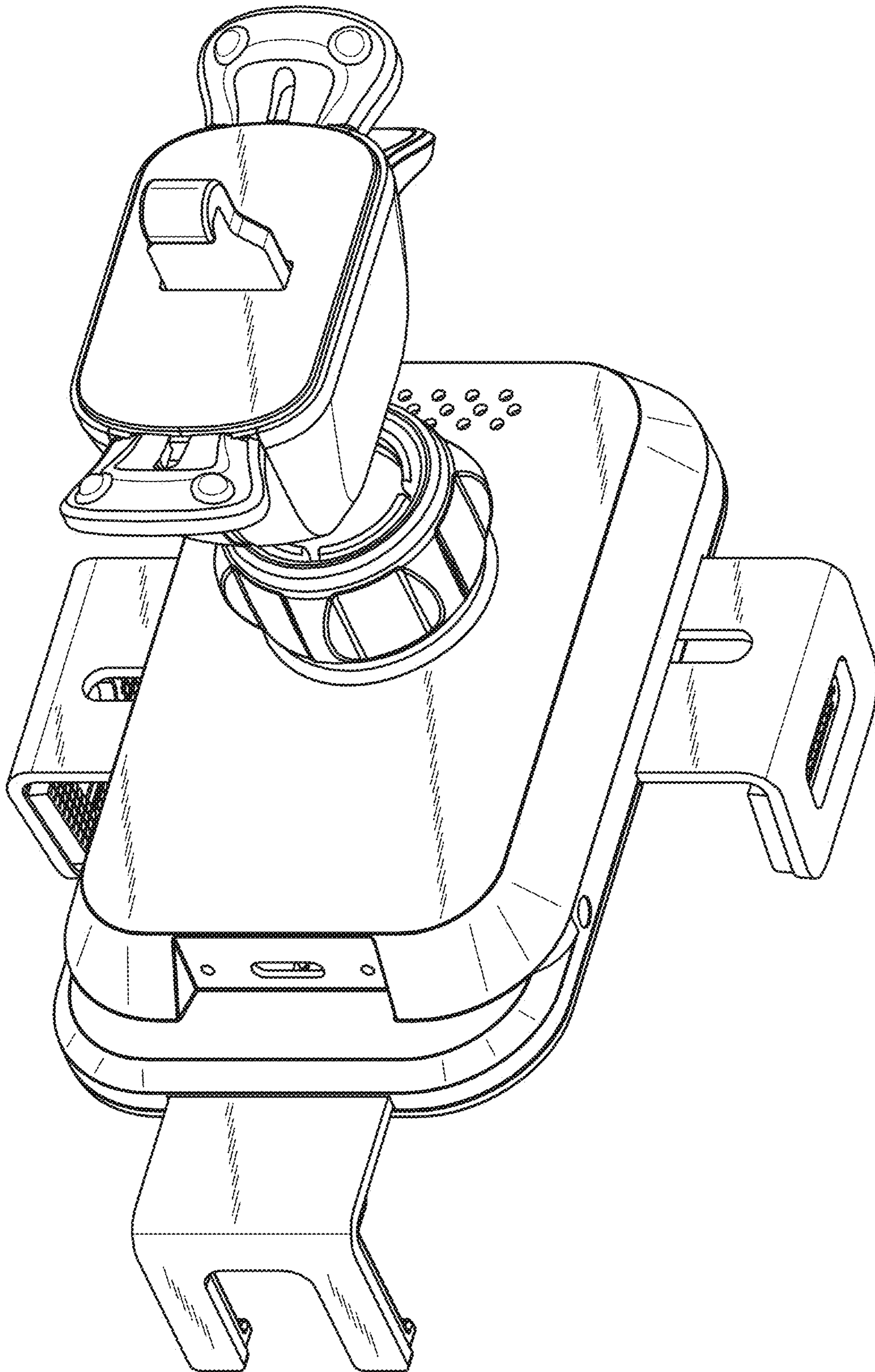


FIG. 8