



US00D889453S

(12) **United States Design Patent** (10) **Patent No.:** **US D889,453 S**
Hynecek et al. (45) **Date of Patent:** **** Jul. 7, 2020**

(54) **CASE FOR AN ELECTRONIC DEVICE**

Internet, <URL: <https://www.amazon.com/iPhoneIncipioDualProShockAbsorbing/dp/B01JPIBZUO>>.

(71) Applicant: **Samsonite IP Holdings S.à.r.l.**,
Luxembourg (LU)

(Continued)

(72) Inventors: **Bryan Lee Hynecek**, Redwood City, CA (US); **Randy Yang Chiang**, San Mateo, CA (US); **Jon Dukershein**, Pacifica, CA (US); **Darrick Albert Del Moral**, San Bruno, CA (US); **Kenny Robert Denike**, San Francisco, CA (US)

Primary Examiner — Susan E Krakower
Assistant Examiner — L. A. Grabenstetter
(74) *Attorney, Agent, or Firm* — Lerner, David, Littenberg, Krumholz & Mentlik, LLP

(73) Assignee: **Samsonite IP Holdings S.à.r.l.**,
Luxembourg (LU)

(57) **CLAIM**

The ornamental design for a case for an electronic device, as shown and described.

(**) Term: **15 Years**

DESCRIPTION

(21) Appl. No.: **29/616,858**

(22) Filed: **Sep. 8, 2017**

(51) **LOC (12) Cl.** **14-03**

(52) **U.S. Cl.**
USPC **D14/250**

(58) **Field of Classification Search**
USPC D3/201, 218, 226, 227, 247, 249, 250,
D3/269, 303; D13/103, 107, 108, 119;
(Continued)

(56) **References Cited**

U.S. PATENT DOCUMENTS

7,093,717 B2 8/2006 Sakai et al.
D669,458 S * 10/2012 Wilson D14/250
(Continued)

FOREIGN PATENT DOCUMENTS

KR 200472205 Y1 4/2014
KR 101422194 B1 7/2014
(Continued)

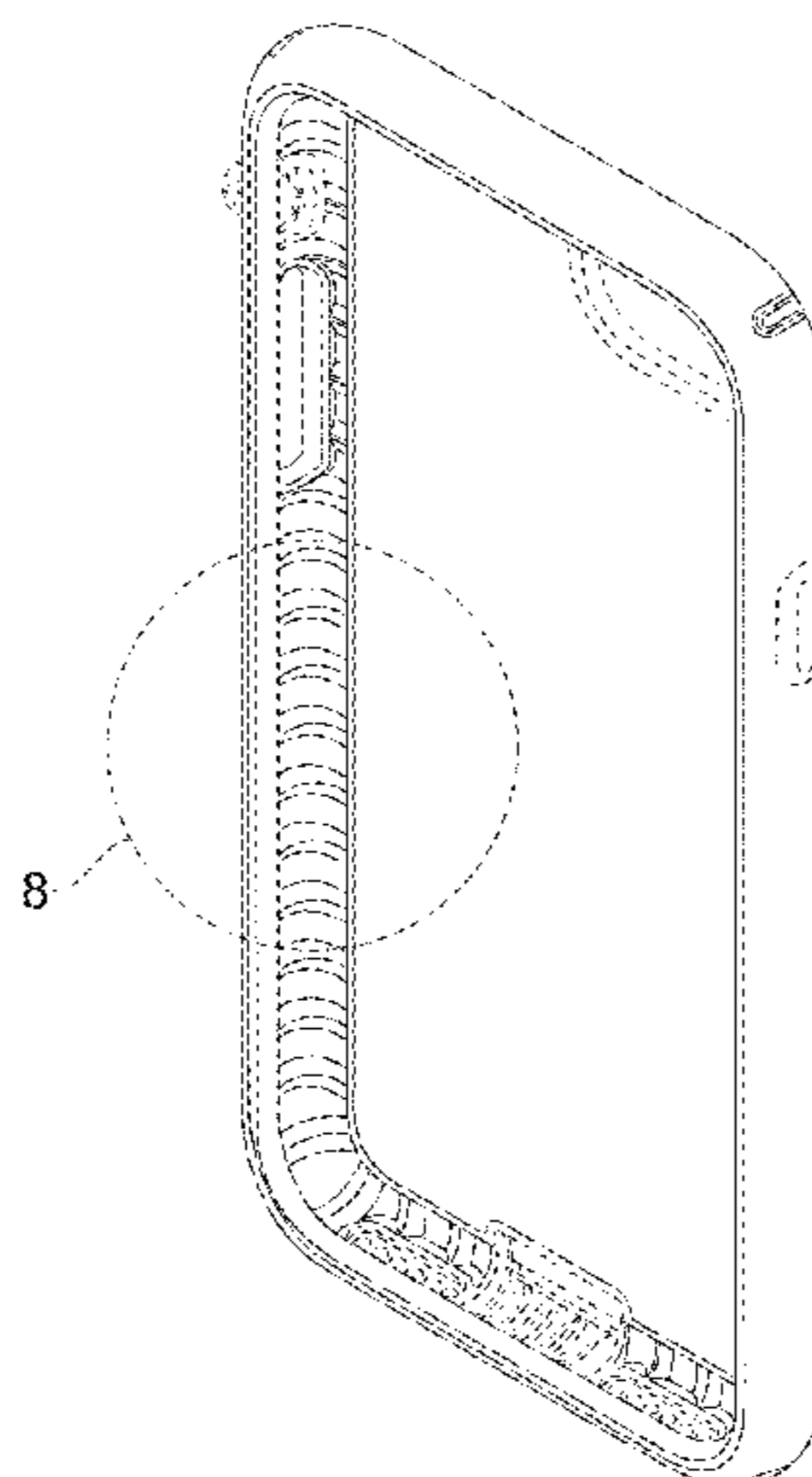
OTHER PUBLICATIONS

Incipio DualPro Case, posted at amazon.com, posting date not given, [online], [site visited Jul. 20, 2017]. Available from

FIG. 1 is a top view of the case for an electronic device in accordance with a first embodiment;
FIG. 2 is a rear view thereof;
FIG. 3 is a left side view thereof;
FIG. 4 is a right side view thereof;
FIG. 5 is a bottom view thereof;
FIG. 6 is a front view thereof;
FIG. 7 is a front-right perspective view thereof;
FIG. 8 is a partial enlarged view thereof, taken from encircled portion 8 in FIG. 7;
FIG. 9 is a top view of the case in accordance with a second embodiment;
FIG. 10 is a rear view thereof;
FIG. 11 is a left side view thereof;
FIG. 12 is a right side view thereof;
FIG. 13 is a bottom view thereof;
FIG. 14 is a front view thereof;
FIG. 15 is a front-right perspective view thereof; and,
FIG. 16 is a partial enlarged view thereof, taken from encircled portion 16 in FIG. 15.

The broken lines depict portions of the case for an electronic device that form no part of the claimed design. The broken line circles found in FIGS. 7, 8, 15, and 16 are for the purpose of indicating the source of the partial enlarged views and form no part of the claimed design.

1 Claim, 10 Drawing Sheets



(58) **Field of Classification Search**

USPC D14/137, 138 R, 138 AA, 138 C, 138 G,
D14/172, 192, 203.3–203.7, 217, 238.1,
D14/247, 248, 250–253, 440, 447
CPC H04B 1/3888; H04M 1/0283; H04M
1/0202; A45C 1/06; A45C 2011/002;
A45C 11/00; A45F 2005/028; A45F
2200/0525

See application file for complete search history.

(56) **References Cited**

U.S. PATENT DOCUMENTS

8,490,783 B1 7/2013 Fan
8,596,449 B2 12/2013 Mongan et al.
8,655,422 B2 2/2014 Stiehl et al.
8,708,140 B2 4/2014 Liu
8,718,731 B1 5/2014 Tang
D706,255 S 6/2014 Akana et al.
8,755,852 B2 6/2014 Hyneczek et al.
8,770,402 B2 7/2014 Bergreen et al.
8,887,903 B2 11/2014 Diebel et al.
D719,559 S * 12/2014 Dukerschein D14/250
D720,735 S 1/2015 Turocy
D721,360 S 1/2015 Laffon de Mazieres et al.
D721,687 S * 1/2015 To D14/250
D725,091 S * 3/2015 Wen D14/250
D728,468 S * 5/2015 Ferber D13/103
9,056,696 B1 6/2015 Reyes
9,060,580 B2 6/2015 Tages
9,098,238 B2 8/2015 Richardson et al.
D740,798 S 10/2015 Poon et al.
D757,702 S * 5/2016 Kanazawa D14/250
D757,703 S 5/2016 Kanazawa
D763,841 S * 8/2016 Kim D14/250
D772,854 S 11/2016 Igarashi
D775,615 S 1/2017 Tien
D776,100 S 1/2017 Igarashi
D776,645 S 1/2017 Del Moral et al.
D777,715 S 1/2017 Sawaya
9,545,140 B1 1/2017 Johnson et al.
D778,271 S 2/2017 Stump et al.
D779,470 S * 2/2017 Kim D14/250
D786,232 S * 5/2017 Kim D14/250
D789,344 S 6/2017 Kim
D805,064 S 12/2017 Lee et al.
9,866,255 B1 1/2018 Ketter-Muldrow

9,872,546 B2 1/2018 Kim
D814,453 S * 4/2018 Chiang D14/250
D816,651 S 5/2018 Chiang et al.
10,441,044 B2 10/2019 Chiang et al.
2003/0150756 A1 8/2003 Kajiya
2010/0096284 A1 4/2010 Bau
2012/0043234 A1 2/2012 Westrup
2012/0067751 A1 3/2012 Mongan et al.
2013/0001105 A1 1/2013 Mongan et al.
2013/0175186 A1 7/2013 Simmer
2014/0078671 A1 * 3/2014 Hong H04B 1/3888
361/679.56
2014/0116897 A1 5/2014 Wilkey
2015/0060309 A1 3/2015 Sartee et al.
2015/0129095 A1 5/2015 Marin
2015/0141095 A1 5/2015 Kim
2015/0195929 A1 7/2015 Roberts et al.
2015/0295618 A1 10/2015 Johnson et al.
2016/0015138 A1 1/2016 Poon et al.
2016/0094263 A1 3/2016 Fathollahi
2016/0157573 A1 6/2016 Del Moral et al.
2016/0295981 A1 10/2016 Lay et al.
2017/0187853 A1 6/2017 Dukerschein et al.
2017/0188676 A1 7/2017 Denike et al.
2018/0332724 A1 11/2018 Roberts et al.

FOREIGN PATENT DOCUMENTS

WO 2012149304 A1 11/2012
WO 2013129763 A1 9/2013

OTHER PUBLICATIONS

Lohasic 3-In-1 Case, posted at amazon.com, posting date not given, [online], [site visited Jul. 20, 2017]. Available from Internet, <URL: <https://www.amazon.com/RoybensAntiScratchAntifingerprintShockproofElectroplate/dp/B01LMW06DG/>>.
OtterBox Symmetry Case, posted at amazon.com, posting date not given, [online], [site visited Jul. 20, 2017]. Available from Internet, <URL: <https://www.amazon.com/OtterBoxSYMMETRYCaseiPhoneONLY/dp/801K6PB3XG/>>.
Speck iPhone 7 Plus Presidio, posted at amazon.com, posting date Aug. 8, 2016, [online], [site visited Jul. 20, 2017]. Available from Internet, <URL: <https://www.amazon.com/SpeckProductsPresidioPhoneiPhone/dp/B01JRU57Y2/>>.

* cited by examiner

Fig. 1

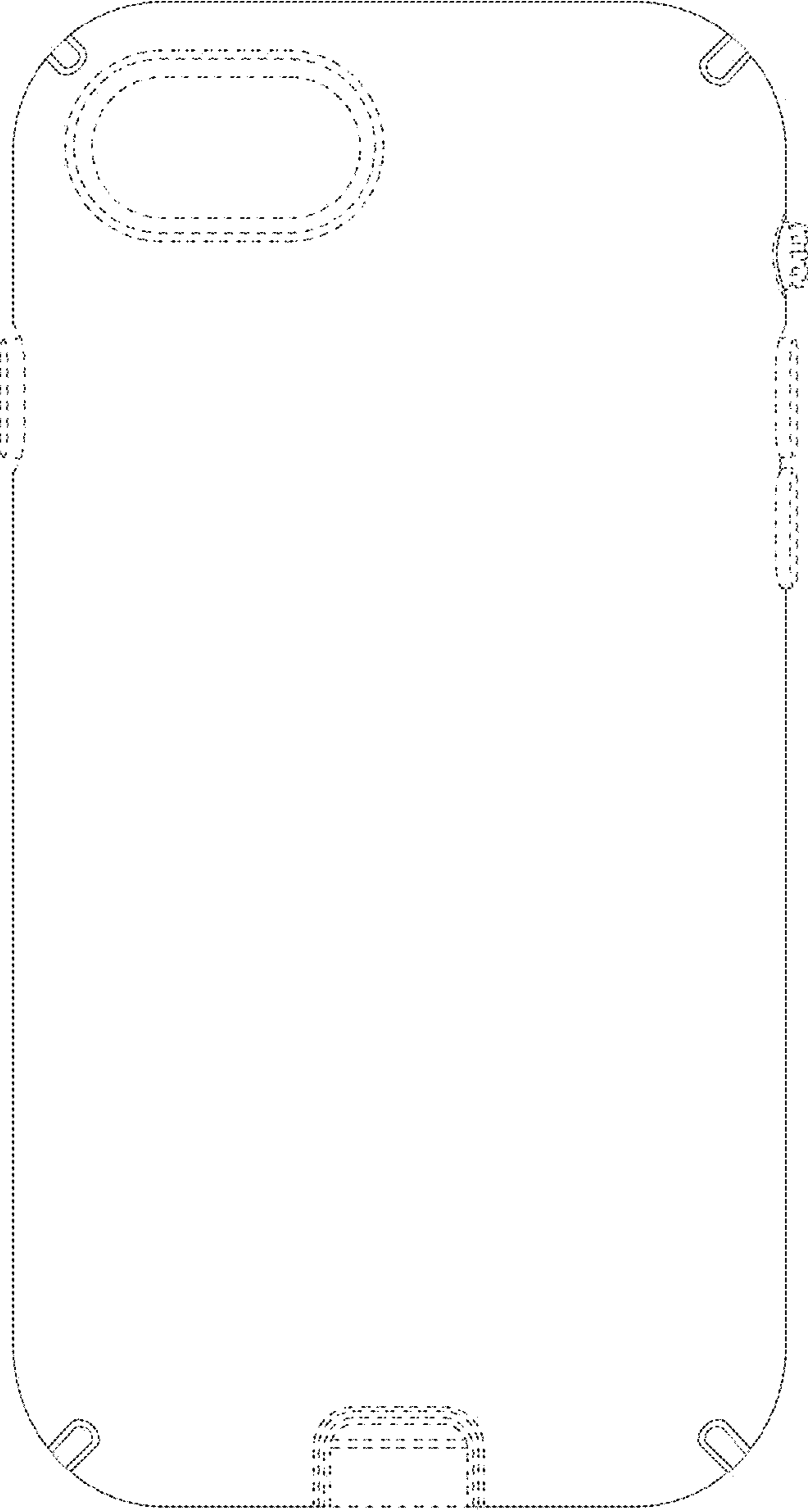


Fig. 2

Fig. 3



Fig. 4

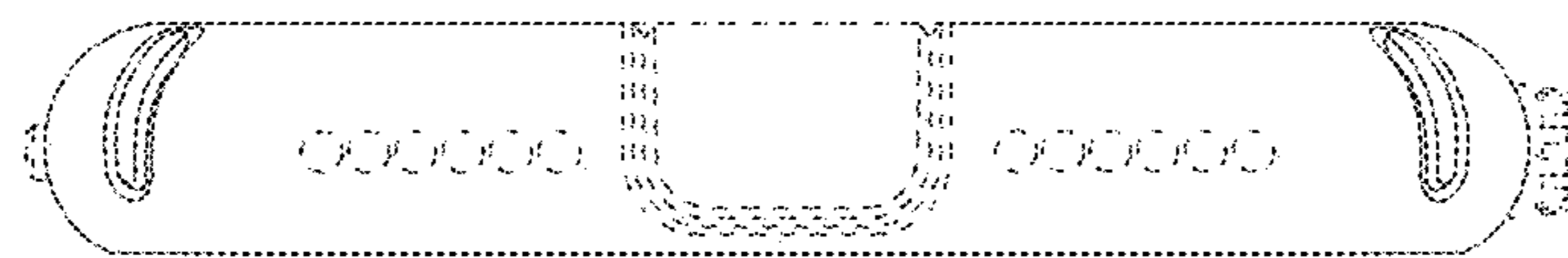
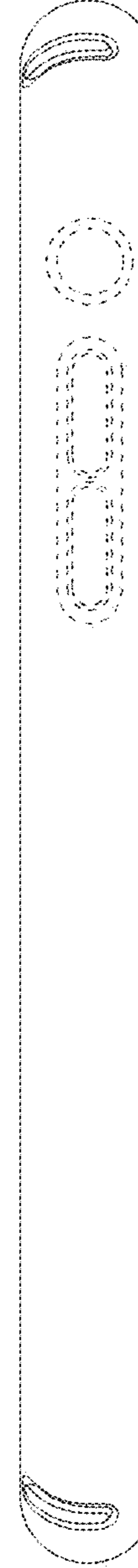


Fig. 5

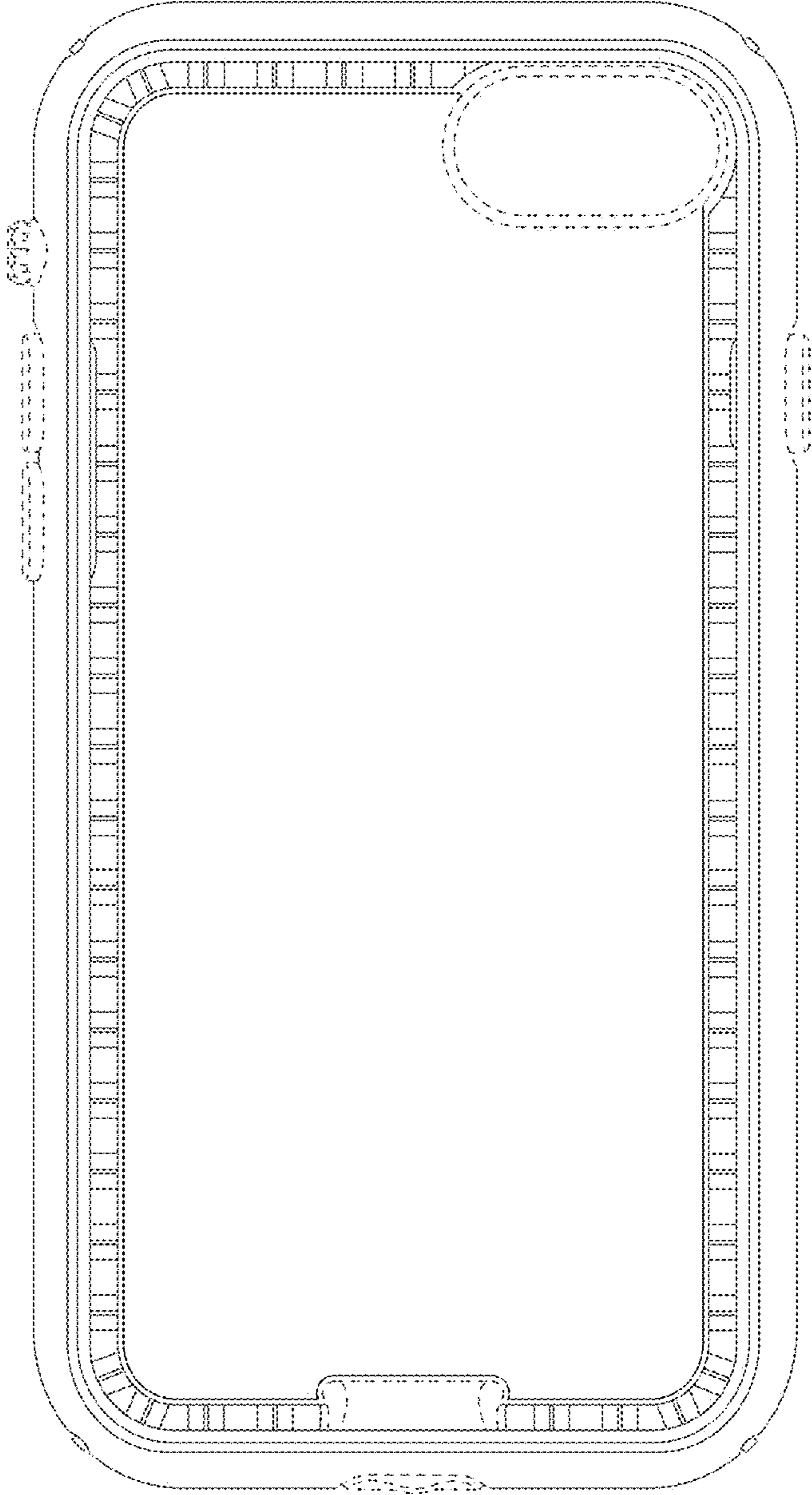
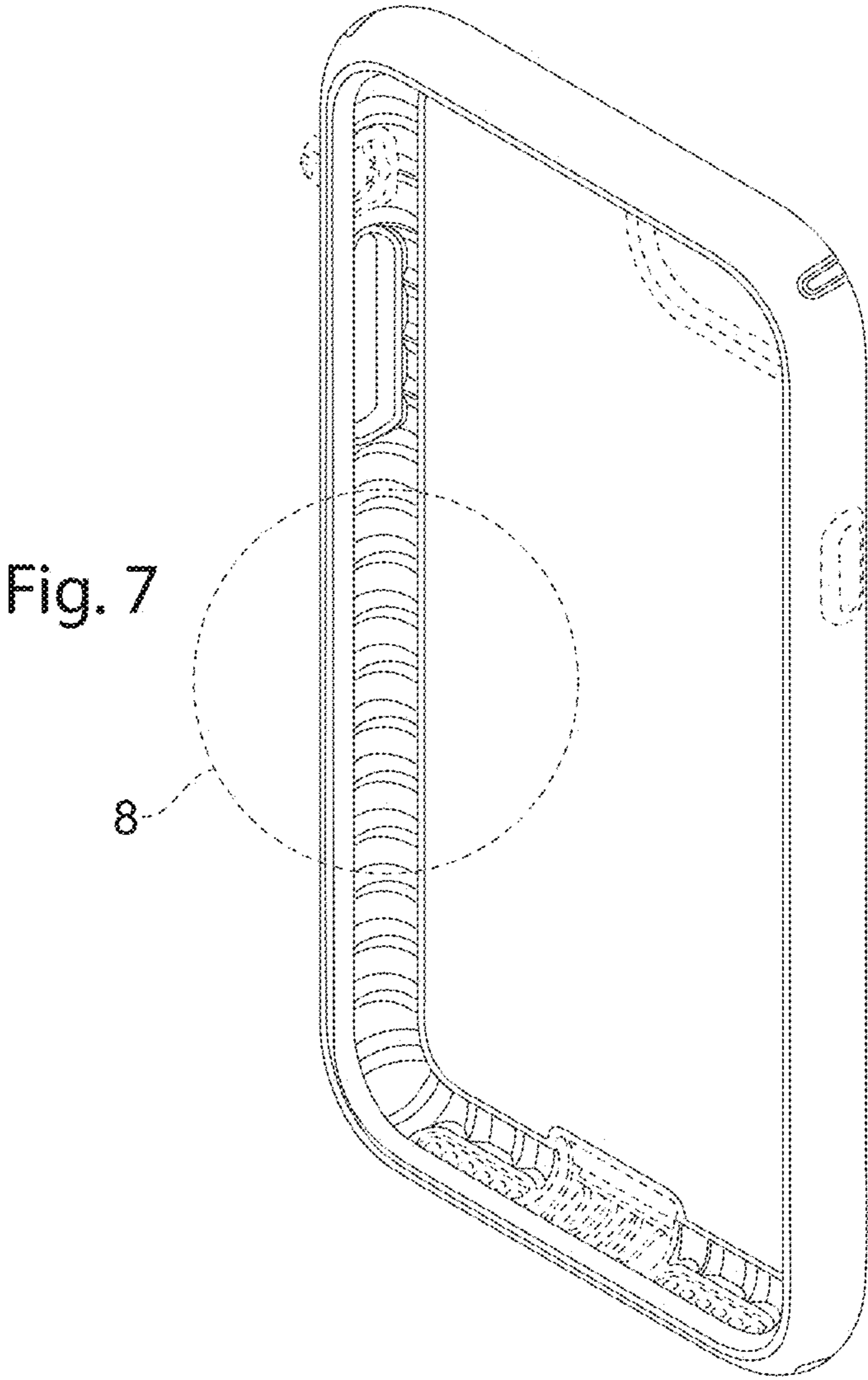


Fig. 6



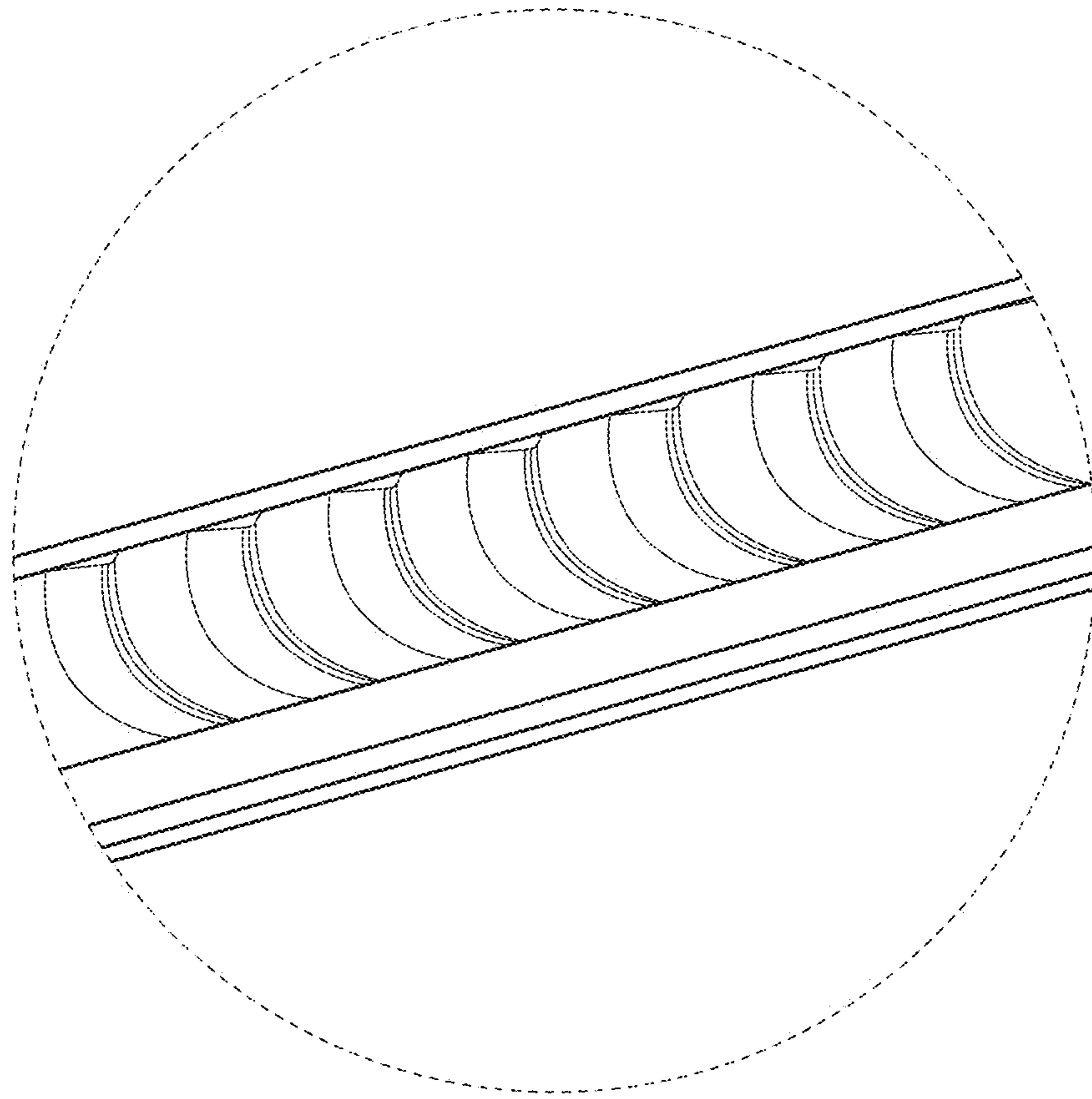


Fig. 8

Fig. 9

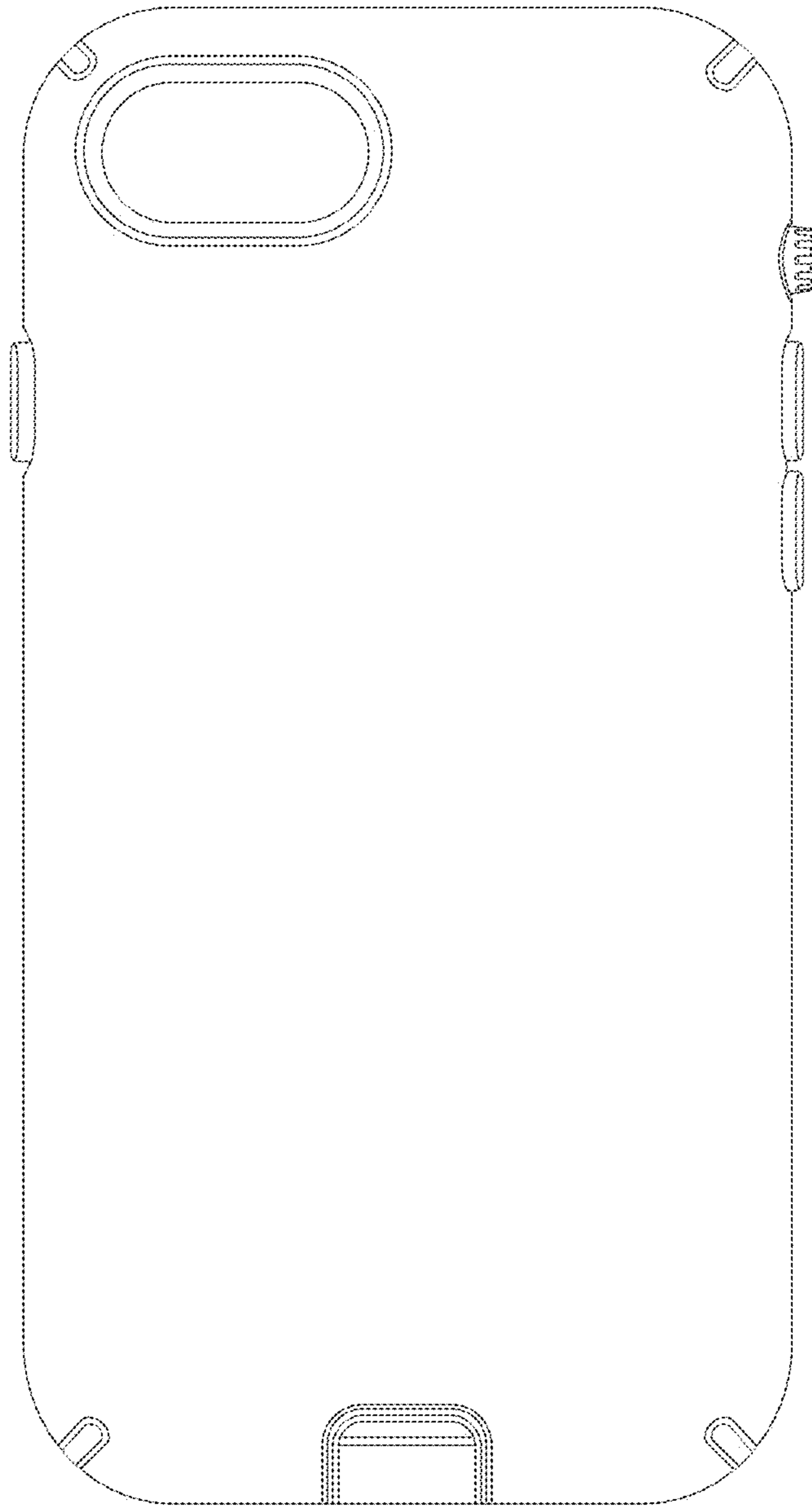


Fig. 10

Fig. 11

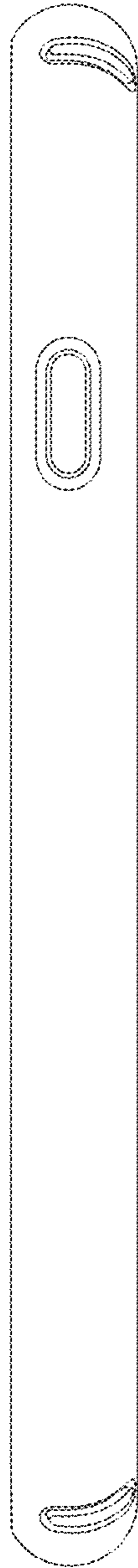


Fig. 12

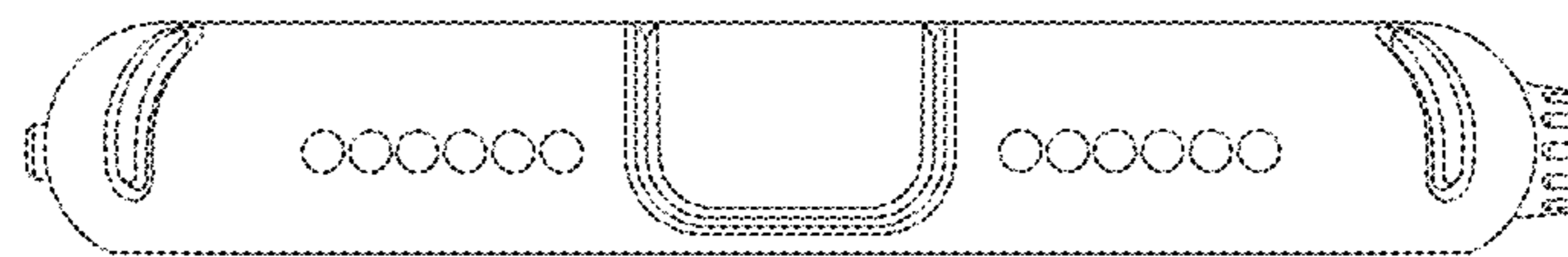


Fig. 13

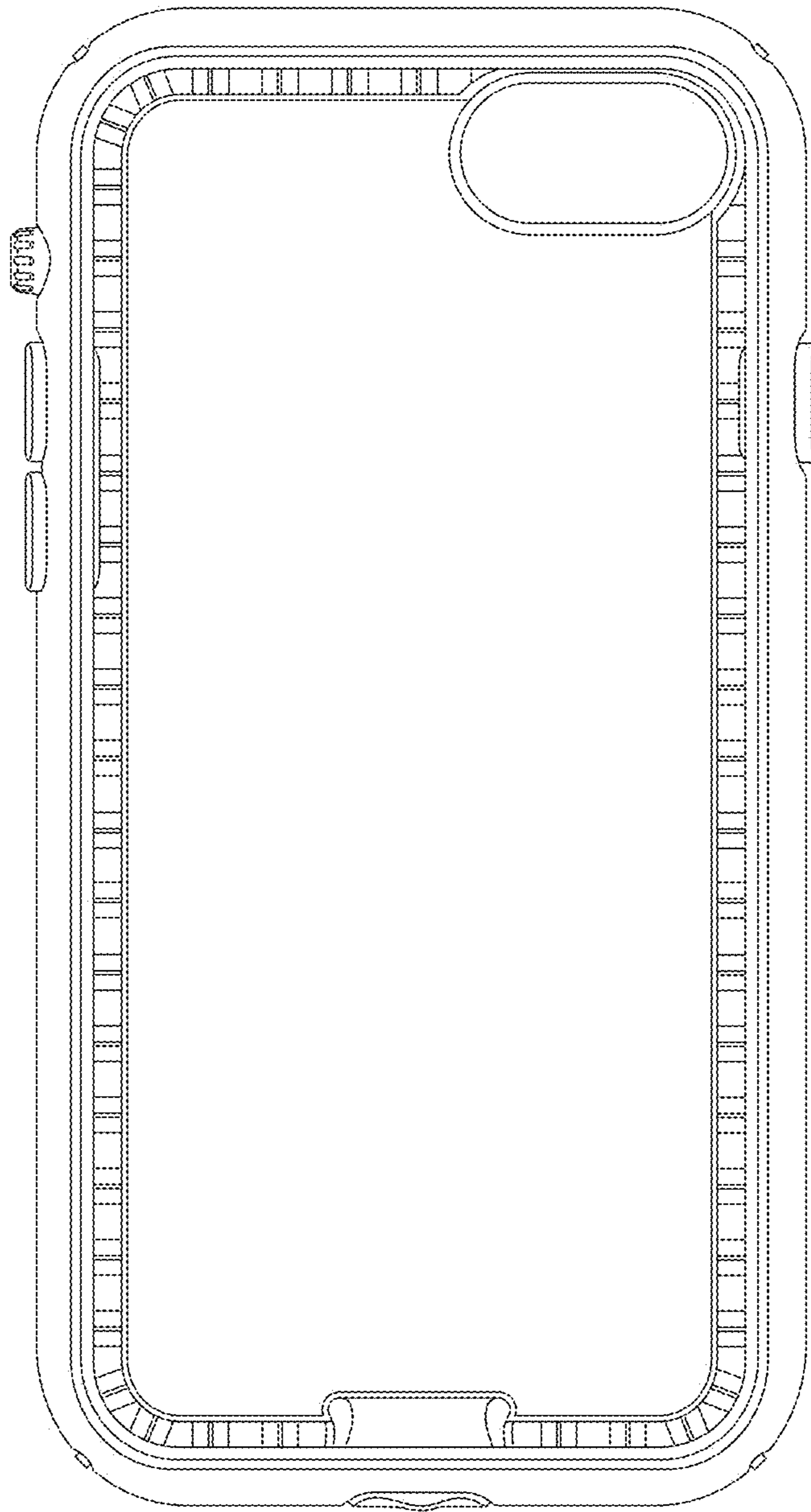


Fig. 14

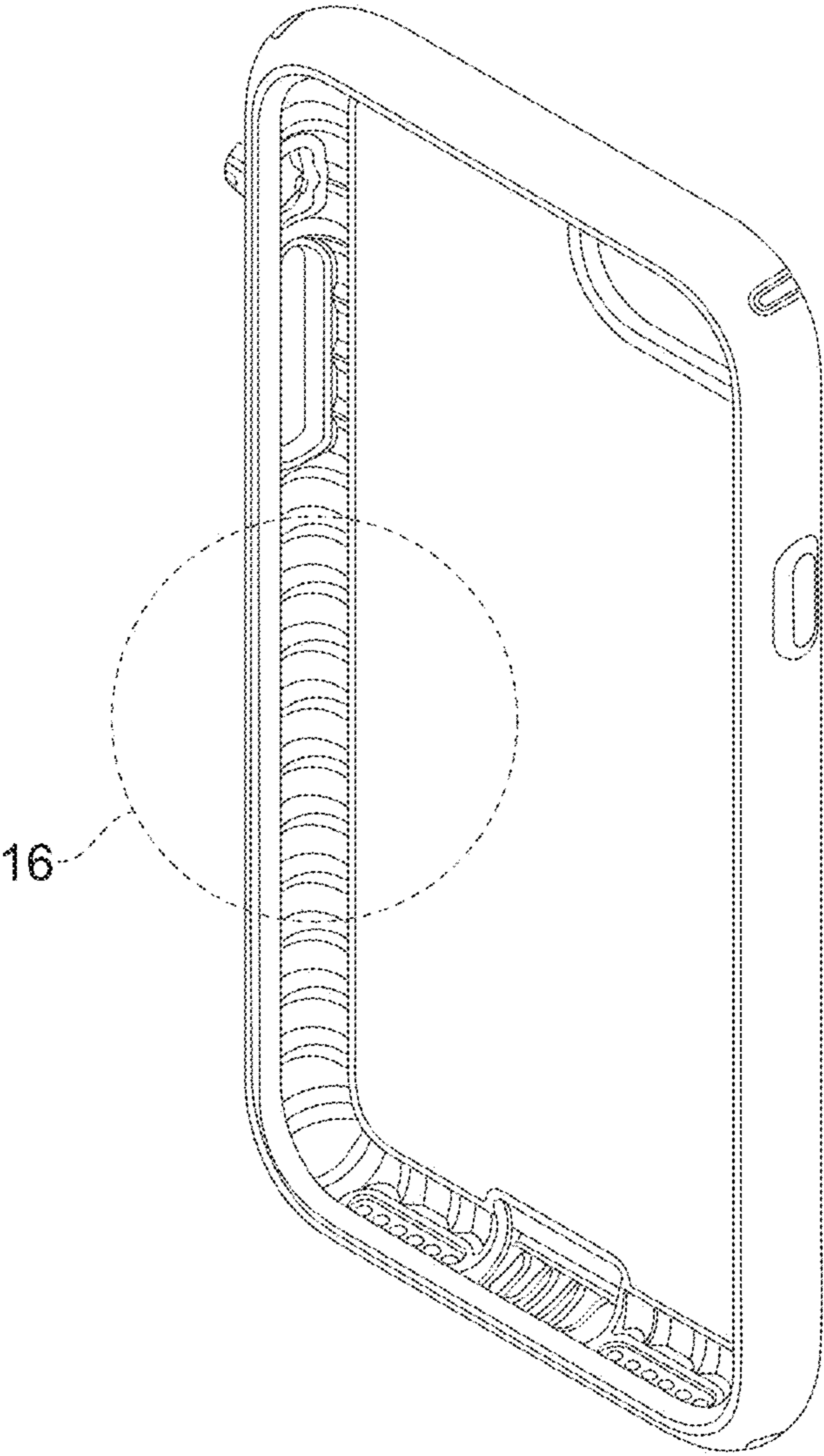


Fig. 15

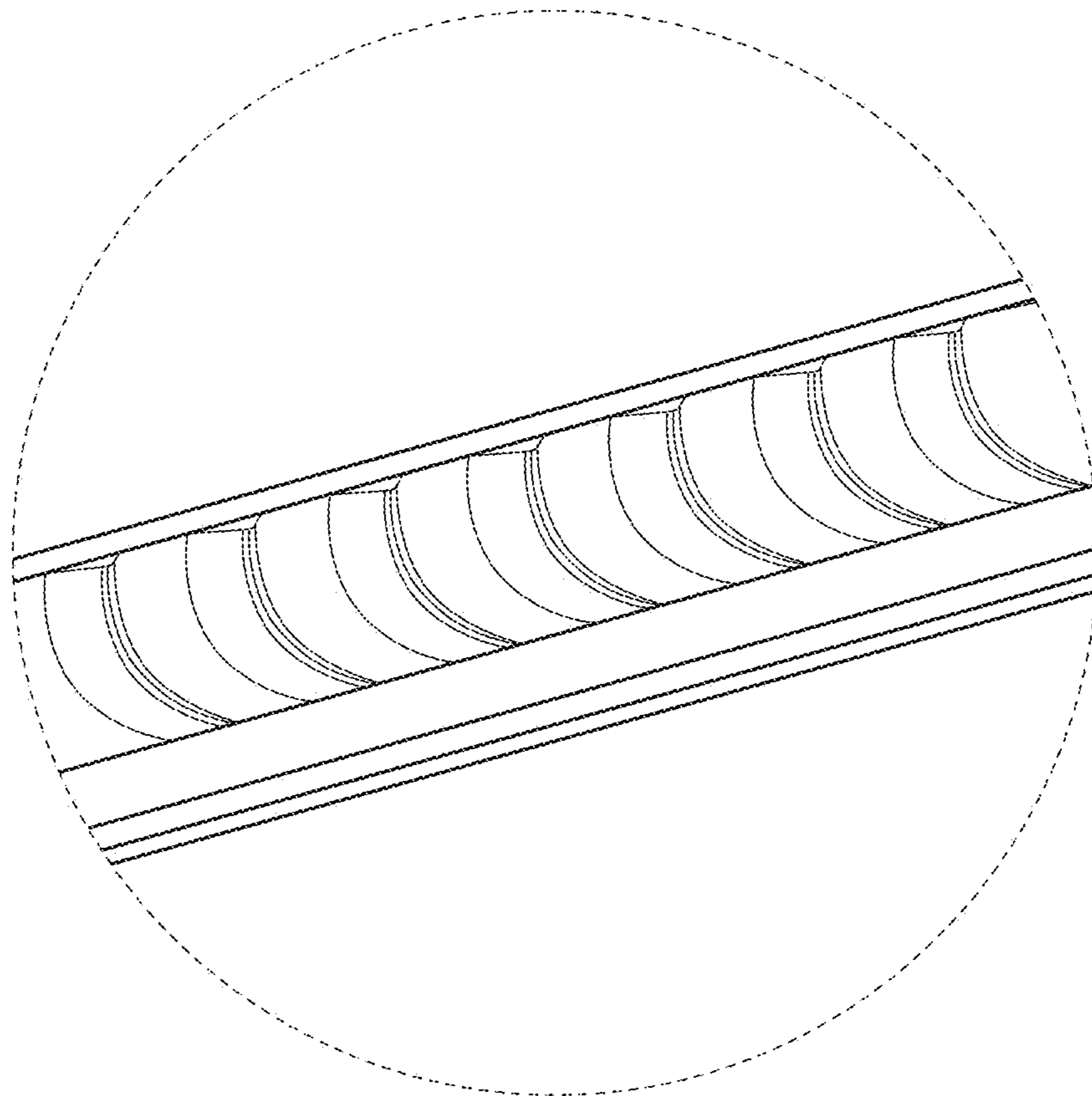


Fig. 16