



US00D889451S

(12) **United States Design Patent** (10) **Patent No.:** **US D889,451 S**
Chiang et al. (45) **Date of Patent:** **** Jul. 7, 2020**

(54) **CASE FOR AN ELECTRONIC DEVICE**

(71) Applicant: **Samsonite IP Holdings S.à.r.l.**,
Luxembourg (LU)

(72) Inventors: **Randy Yang Chiang**, San Francisco,
CA (US); **Alan Yu Tung Ng**, San
Francisco, CA (US); **Brian Au**, San
Jose, CA (US)

(73) Assignee: **Samsonite IP Holdings S.à.r.l.**,
Luxembourg (LU)

(*) Notice: This patent is subject to a terminal dis-
claimer.

(**) Term: **15 Years**

(21) Appl. No.: **29/614,281**

(22) Filed: **Aug. 17, 2017**

(51) **LOC (12) Cl.** **14-03**

(52) **U.S. Cl.**
USPC **D14/250**

(58) **Field of Classification Search**
USPC D3/201, 218, 226, 227, 247, 249, 250,
D3/269, 303; D13/103, 107, 108, 119;
(Continued)

(56) **References Cited**

U.S. PATENT DOCUMENTS

D587,896 S * 3/2009 Aipa D3/201
D610,807 S * 3/2010 Bau D3/269
(Continued)

OTHER PUBLICATIONS

CandyShell Grip iPhone 6s Plus Case, posted at speckproducts.com,
posting date not given, [online], [site visited Jul. 21, 2017]. Avail-
able from Internet, URL: <http://www.speckproducts.com/apple/iphonecases/iphone6pluscases/candyshellgripiphone6pluscases/IP6PCSGRIP.html>, 7 pages.
(Continued)

Primary Examiner — Susan E Krakower
Assistant Examiner — L. A. Grabenstetter

(74) *Attorney, Agent, or Firm* — Lerner, David,
Littenberg, Krumholz & Mentlik, LLP

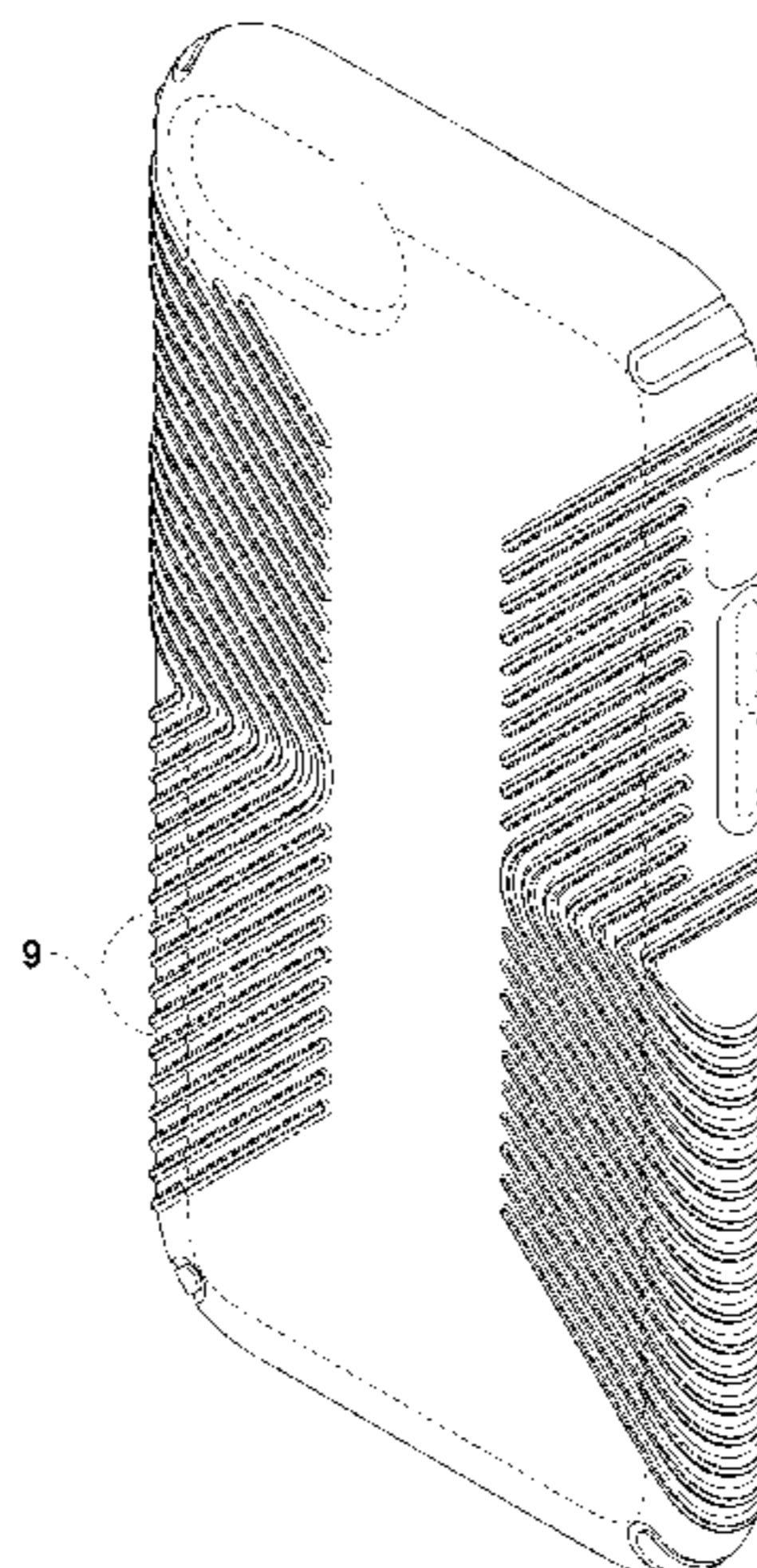
(57) **CLAIM**

We claim the ornamental design for a case for an electronic
device, as shown and described.

DESCRIPTION

FIG. 1 is a rear view of the case for an electronic device in
accordance with a first embodiment of the invention;
FIG. 2 is a front view thereof;
FIG. 3 is a left side view thereof;
FIG. 4 is a right side view thereof;
FIG. 5 is a top view thereof;
FIG. 6 is a bottom view thereof;
FIG. 7 is a rear left perspective view thereof;
FIG. 8 is a partial enlarged view thereof, taken from the
encircled portion 8 in FIG. 1;
FIG. 9 is a partial enlarged view thereof, taken from the
encircled portion 9 in FIG. 7;
FIG. 10 is a front right perspective view thereof;
FIG. 11 is a sectional view of the case taken along line 11-11
in FIG. 3;
FIG. 12 is a rear view of a case for an electronic device in
accordance with a second embodiment of the invention;
FIG. 13 is a front view thereof;
FIG. 14 is a left side view thereof;
FIG. 15 is a right side view thereof;
FIG. 16 is a top view thereof;
FIG. 17 is a bottom view thereof;
FIG. 18 is a rear left perspective view thereof;
FIG. 19 is a partial enlarged view thereof, taken from the
encircled portion 19 in FIG. 12;
FIG. 20 is a partial enlarged view thereof, taken from the
encircled portion 20 in FIG. 18; and,
FIG. 21 is a front right perspective view thereof.
The broken lines depicting portions of the case for an
electronic device form no part of the claimed design. The
broke line circles found in FIGS. 1, 7, 10 and 16, are for the
purpose of disclosing the partial enlarged views of respec-
tive FIGS. 8, 9, 19, and 20, and form no part of the claimed
design.

1 Claim, 15 Drawing Sheets



(58) **Field of Classification Search**
 USPC D14/137, 138 R, 138 AA, 138 C, 138 G,
 D14/172, 192, 203.3–203.7, 217, 238.1,
 D14/247, 248, 250–253, 440, 447
 CPC H04B 1/3888; H04M 1/0283; H04M
 1/0202; A45C 1/06; A45C 2011/002;
 A45C 11/00; A45F 2005/028; A45F
 2200/0525
 See application file for complete search history.

(56) **References Cited**

U.S. PATENT DOCUMENTS

D638,007 S	*	5/2011	Chang	D14/250
D646,264 S	*	10/2011	Dong	D14/250
D647,517 S	*	10/2011	Fathollahi	D14/250
D650,776 S	*	12/2011	Bau	D14/250
D652,825 S	*	1/2012	Bau	D14/238.1
D659,691 S	*	5/2012	Kim	D14/250
D670,912 S	*	11/2012	Bau	D3/218
D688,233 S	*	8/2013	Dong	D14/250
D706,255 S		6/2014	Akana et al.		
D707,215 S	*	6/2014	Weller	D14/250
D707,670 S	*	6/2014	Chang	D14/250
D716,281 S	*	10/2014	Melanson	D14/250
D716,282 S	*	10/2014	Melanson	D14/250
D716,284 S	*	10/2014	Melanson	D14/250
D716,783 S	*	11/2014	Loncar	D14/250
D717,779 S	*	11/2014	Dong	D14/250
D718,756 S		12/2014	Barfoot et al.		
D721,360 S		1/2015	Laffon de Mazieres et al.		
D724,067 S	*	3/2015	Fathollahi	D14/250
D726,170 S		4/2015	Ng		
D729,252 S	*	5/2015	Smith	D14/440

D729,255 S	*	5/2015	Kilkenny	D14/440
D746,801 S		1/2016	Pan		
D747,707 S		1/2016	Roberts et al.		
D747,708 S		1/2016	Roberts et al.		
D753,641 S		4/2016	Roberts et al.		
D754,651 S		4/2016	Roberts et al.		
D754,652 S		4/2016	Roberts et al.		
D756,344 S		5/2016	Roberts et al.		
D756,345 S		5/2016	Roberts et al.		
D757,702 S		5/2016	Kanazawa		
D757,704 S		5/2016	Roberts et al.		
D762,200 S		7/2016	Pan et al.		
D762,201 S		7/2016	Tseng et al.		
D762,202 S		7/2016	Tseng et al.		
D763,840 S	*	8/2016	Hwang	D14/250
D769,233 S		10/2016	Qian et al.		
D771,607 S		11/2016	Kim		
D772,854 S		11/2016	Igarashi		
D775,615 S	*	1/2017	Tien	D14/250
D778,271 S		2/2017	Stump et al.		
D780,738 S		3/2017	Barfoot et al.		
D812,600 S	*	3/2018	Altaras	D14/250
D812,619 S	*	3/2018	Altaras	D14/440
D816,651 S	*	5/2018	Chiang	D14/250
2009/0107661 A1	*	4/2009	Andersson	F28D 9/005 165/168
2015/0119118 A1		4/2015	Ashley et al.		

OTHER PUBLICATIONS

Speck Products CandyShell Grip Case, posted at amazon.com, posting date Sep. 20, 2017, [online], [site visited Jul. 21, 2017]. Available from Internet, URL: <https://www.amazon.com/SpeckProductsCandyShellGripiPhone/dp/BOOMV77FOA>, 10 pages.

* cited by examiner

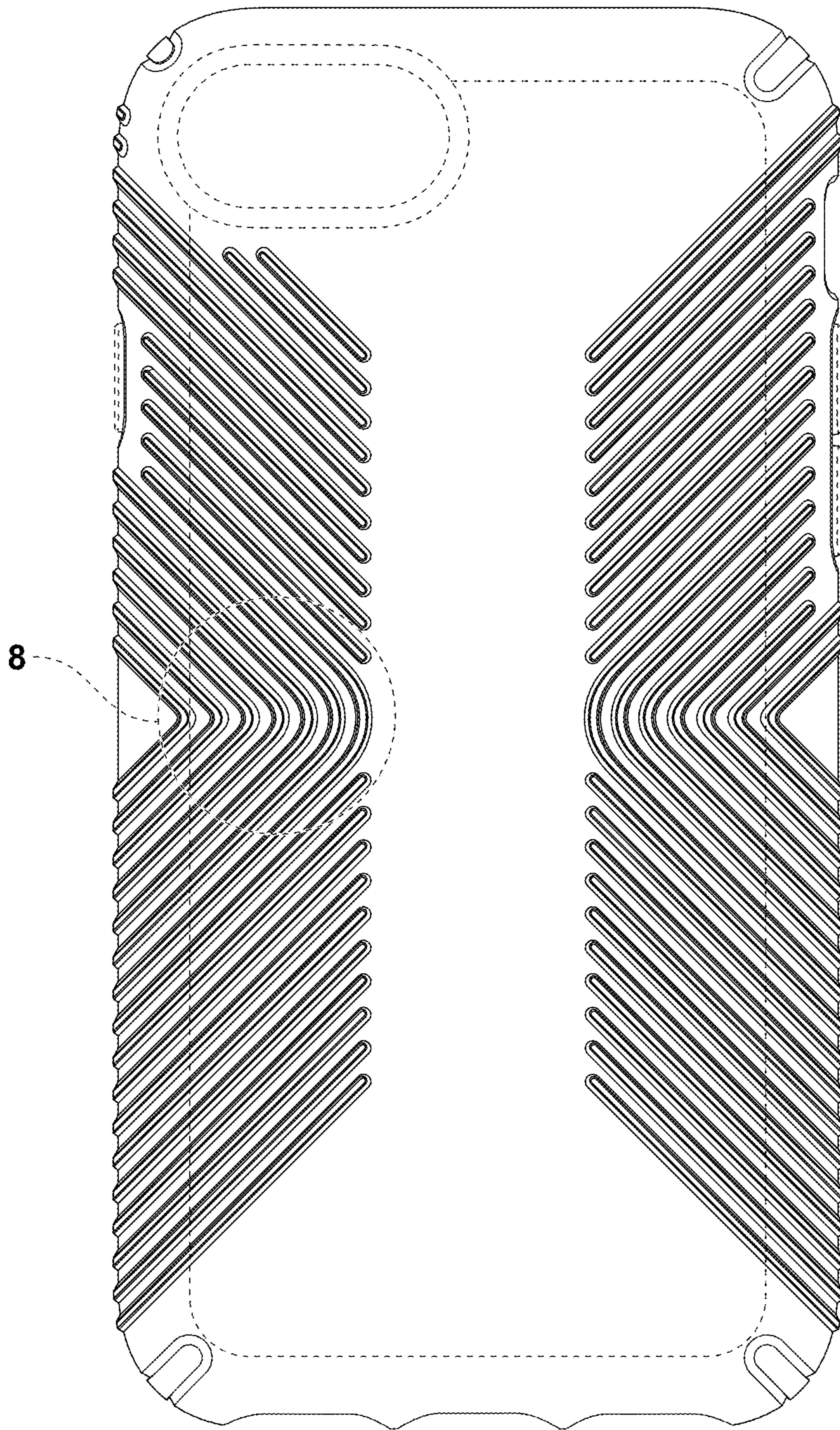


FIG. 1

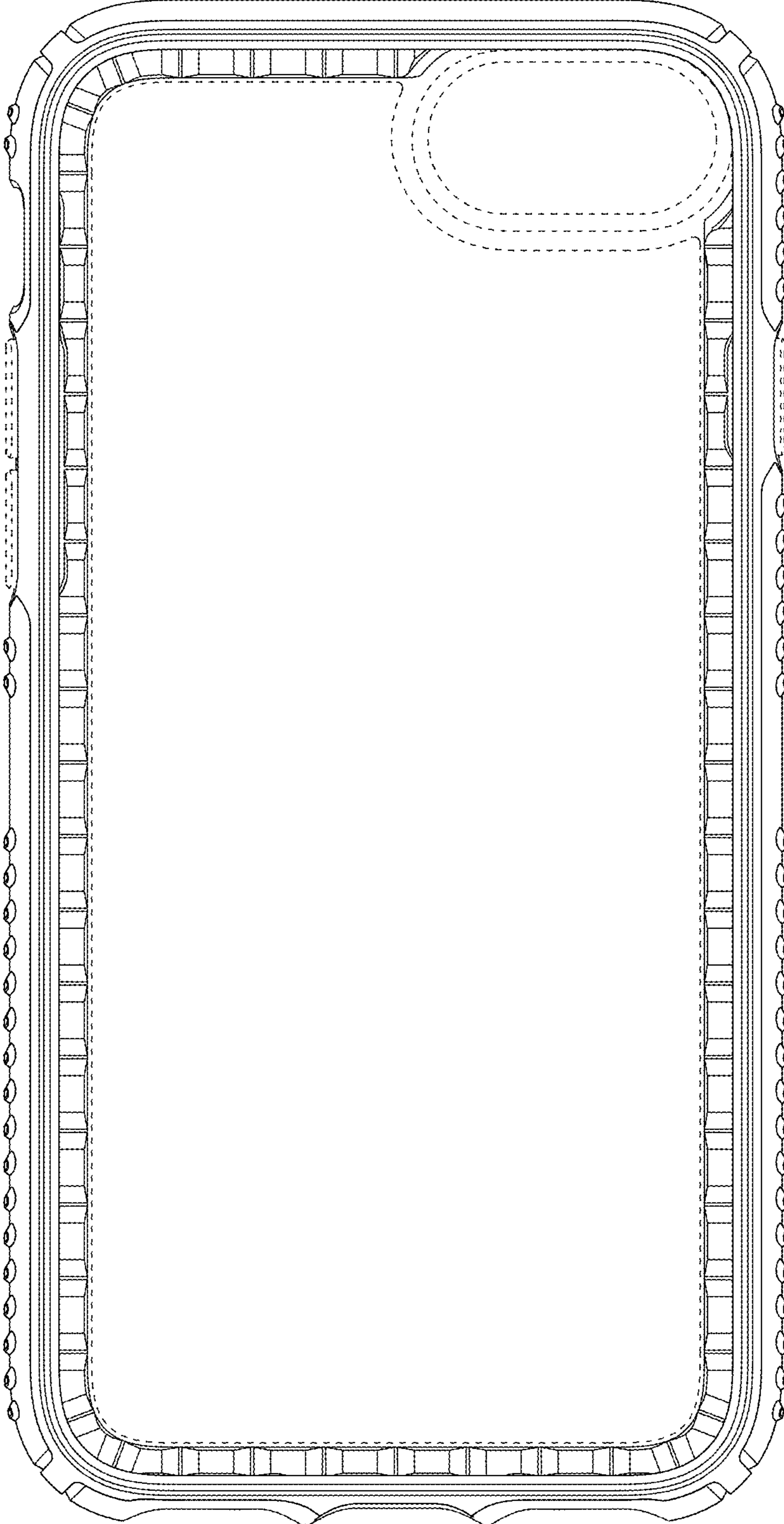


FIG. 2

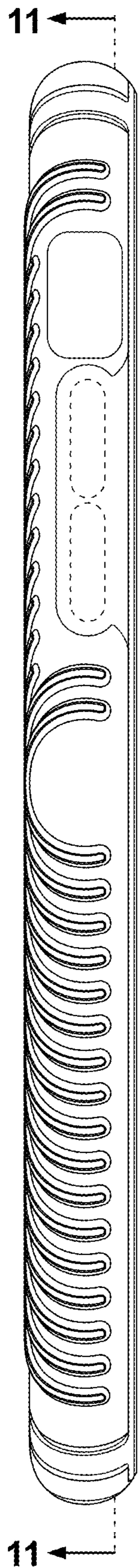


FIG. 3

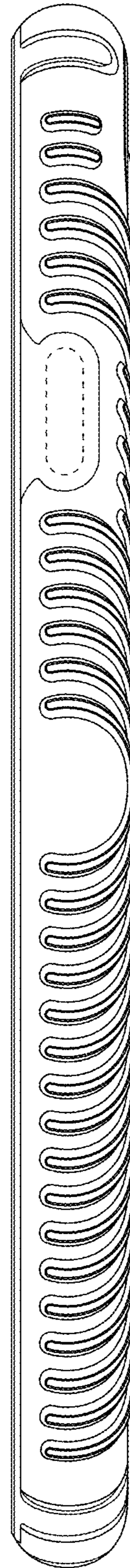


FIG. 4

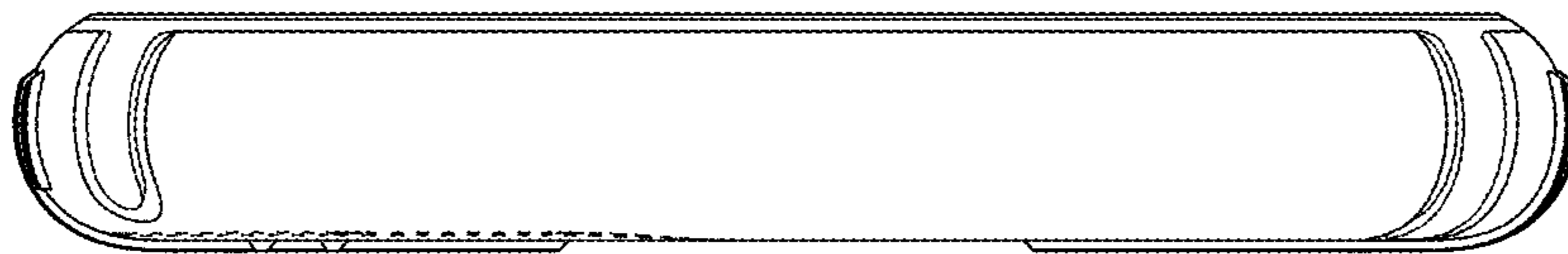


FIG. 5

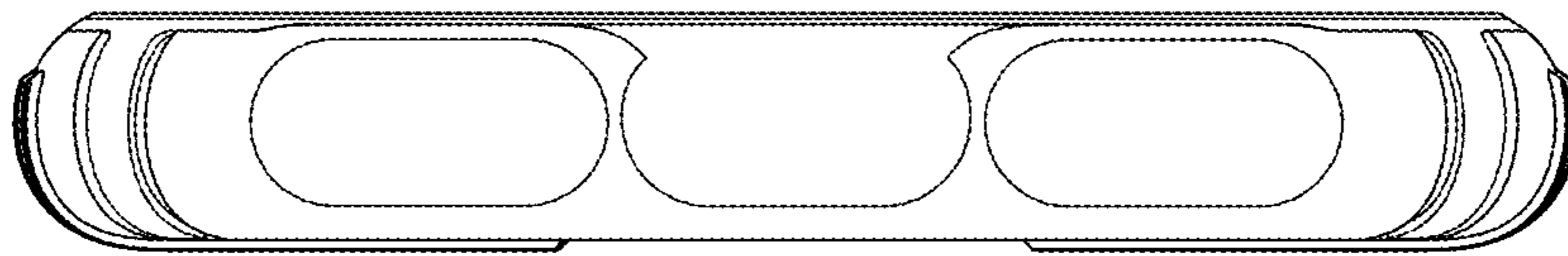


FIG. 6

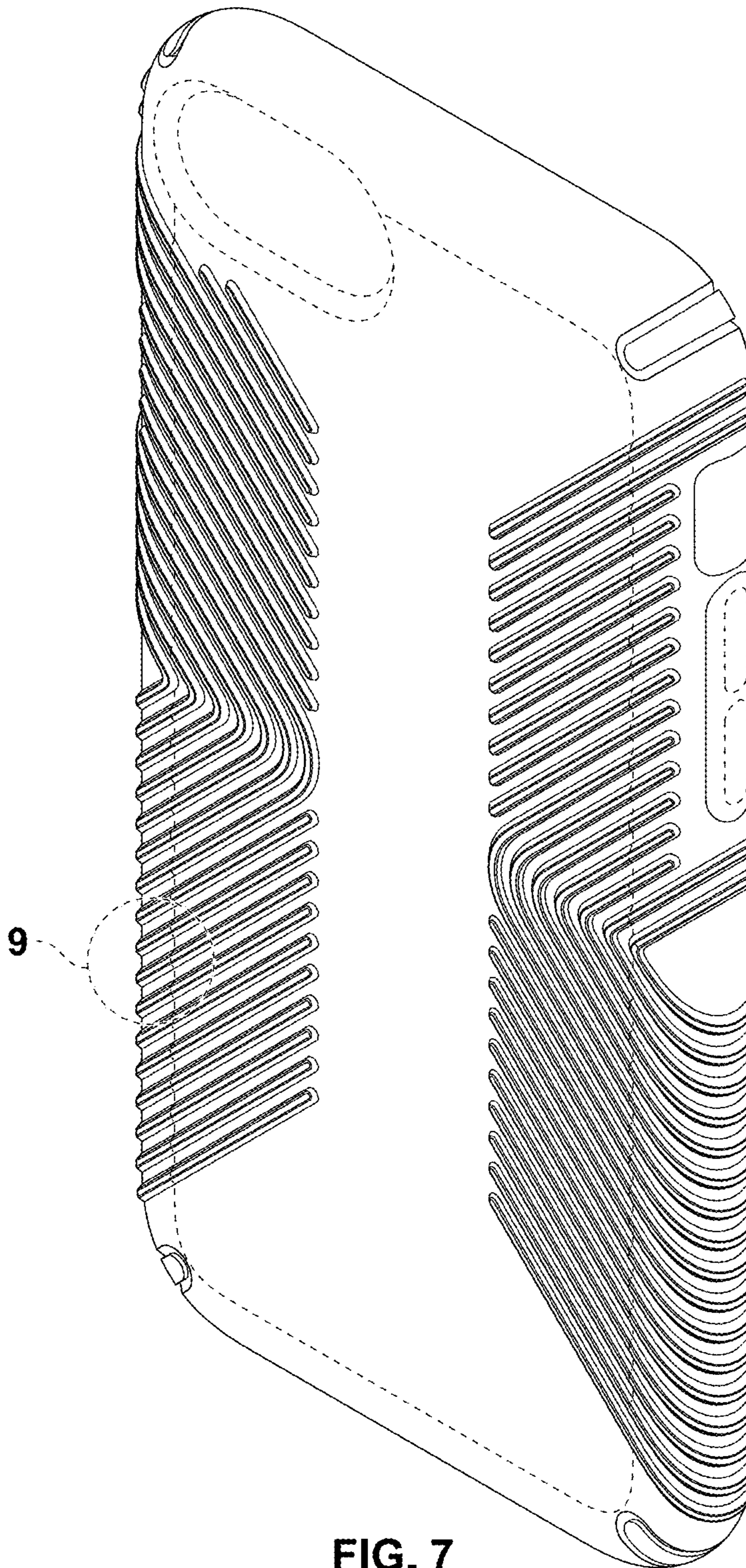


FIG. 7

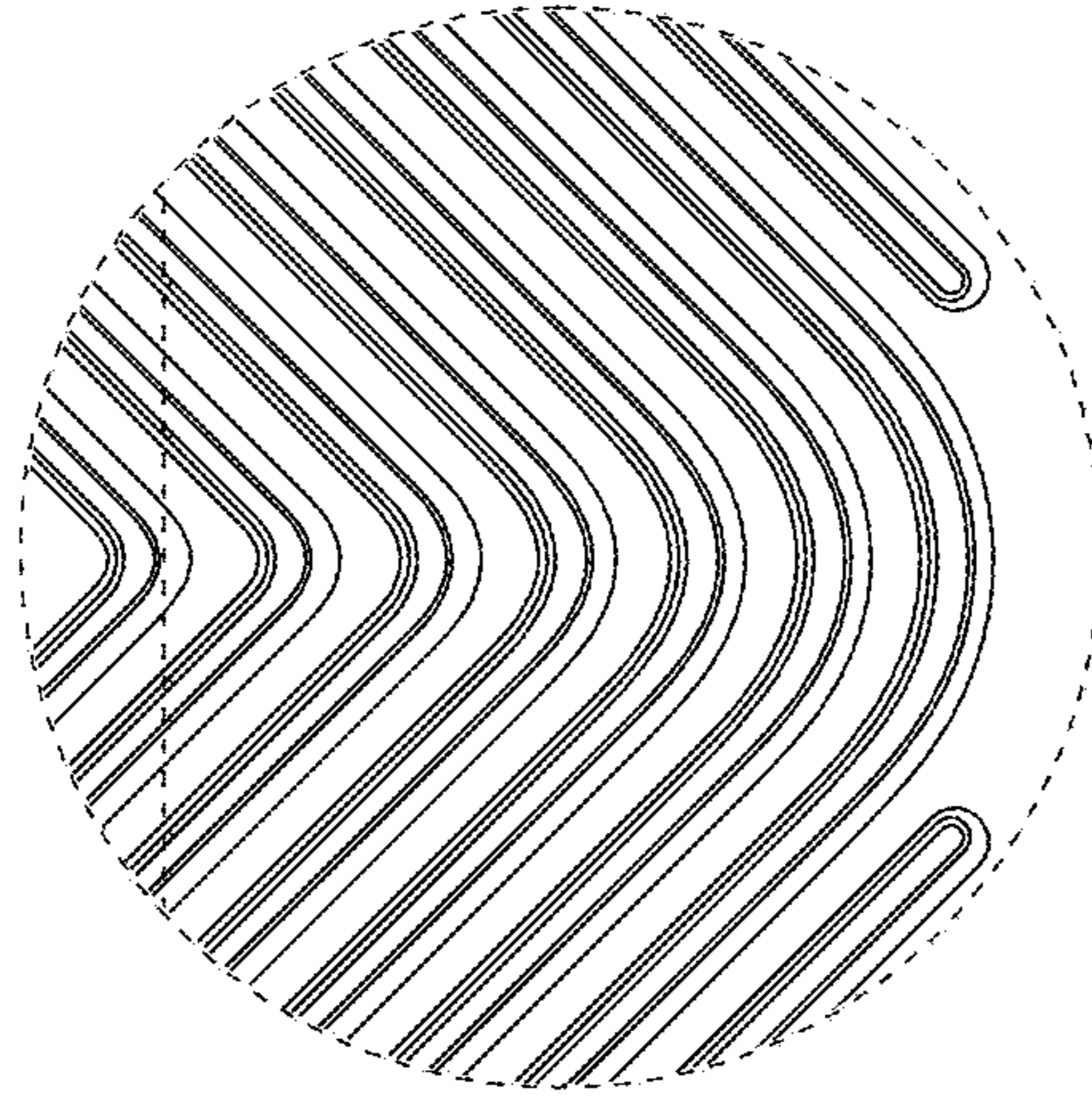


FIG. 8

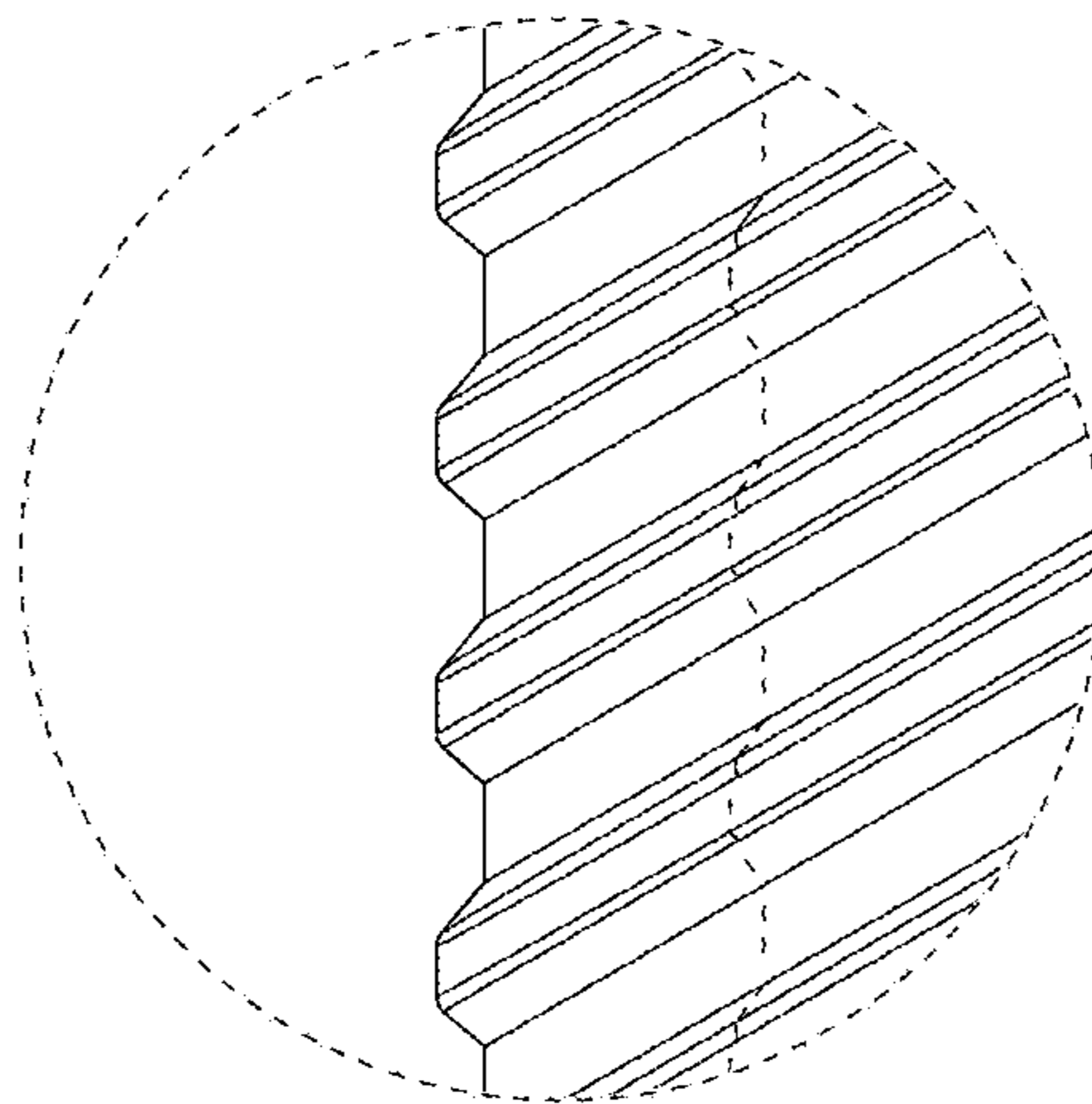


FIG. 9

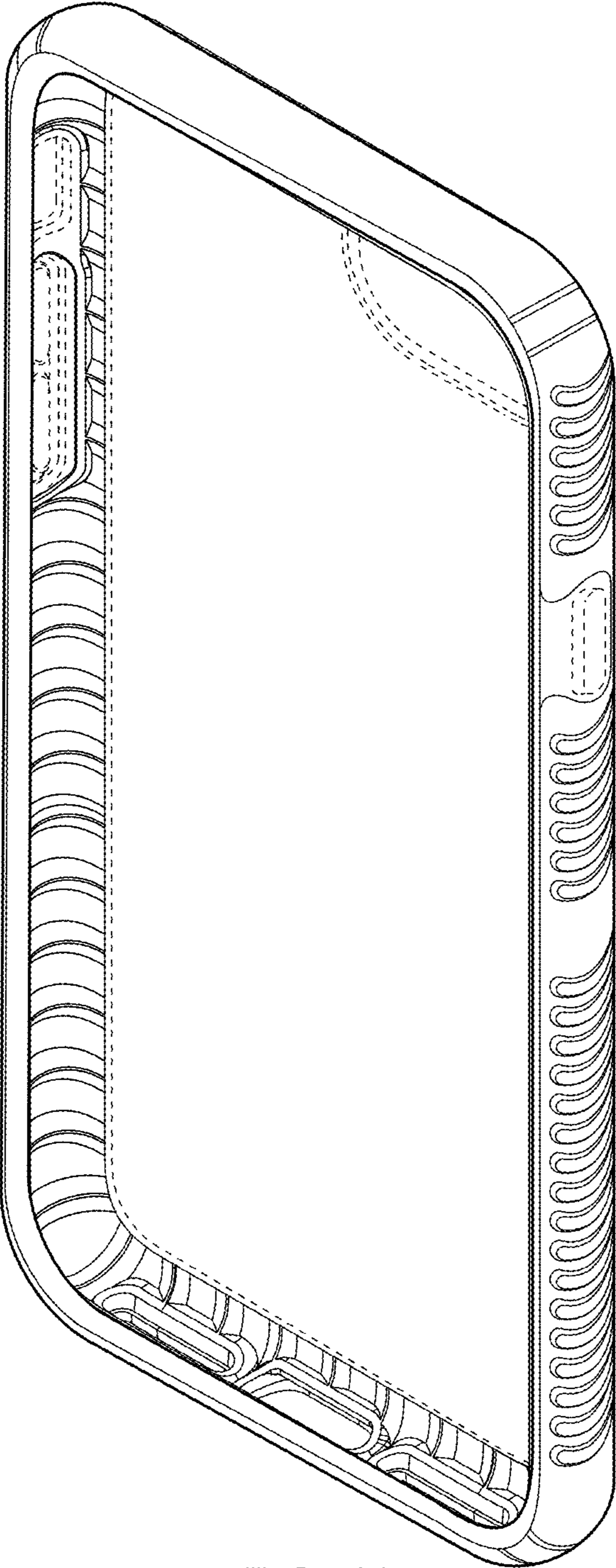


FIG. 10

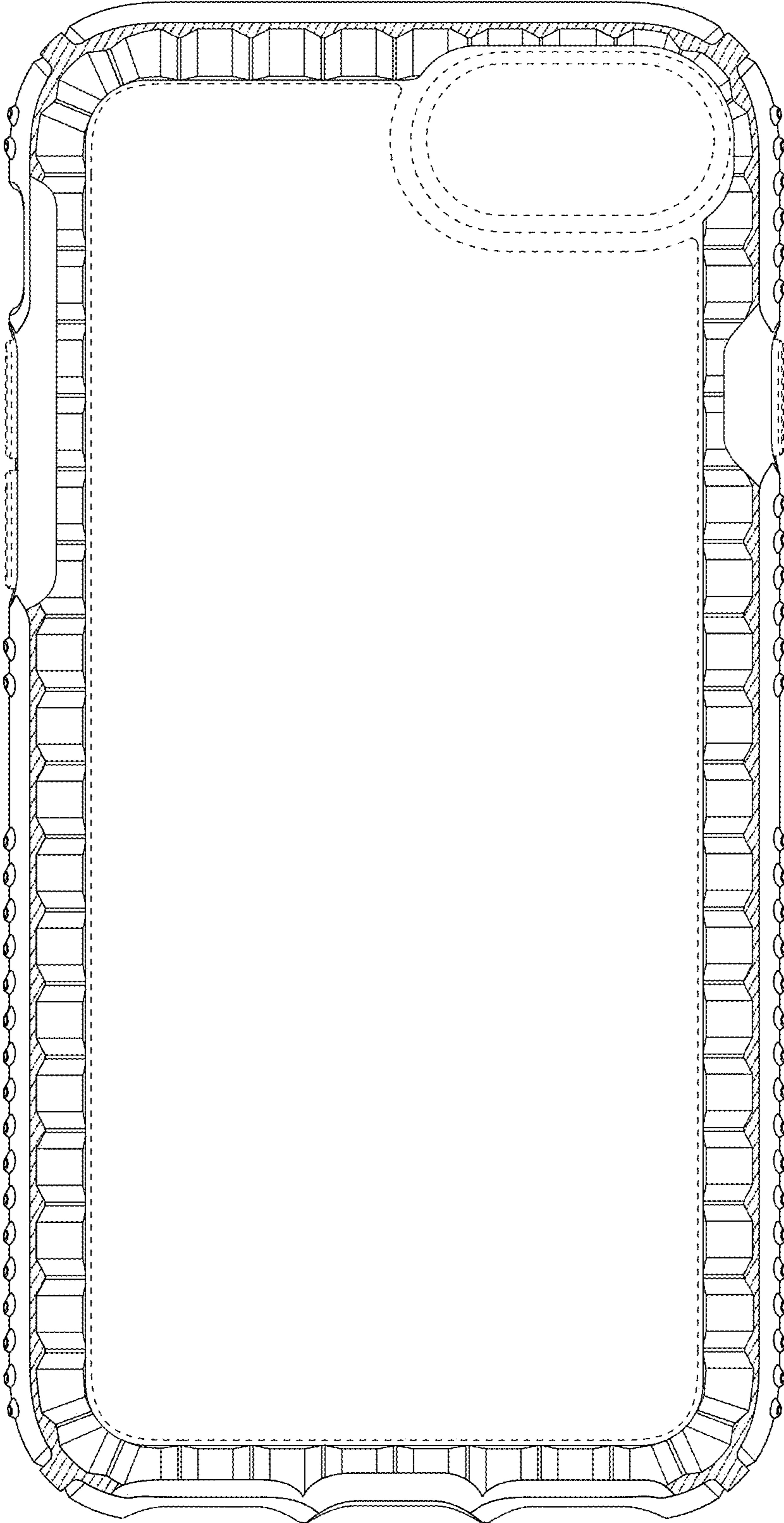


FIG. 11

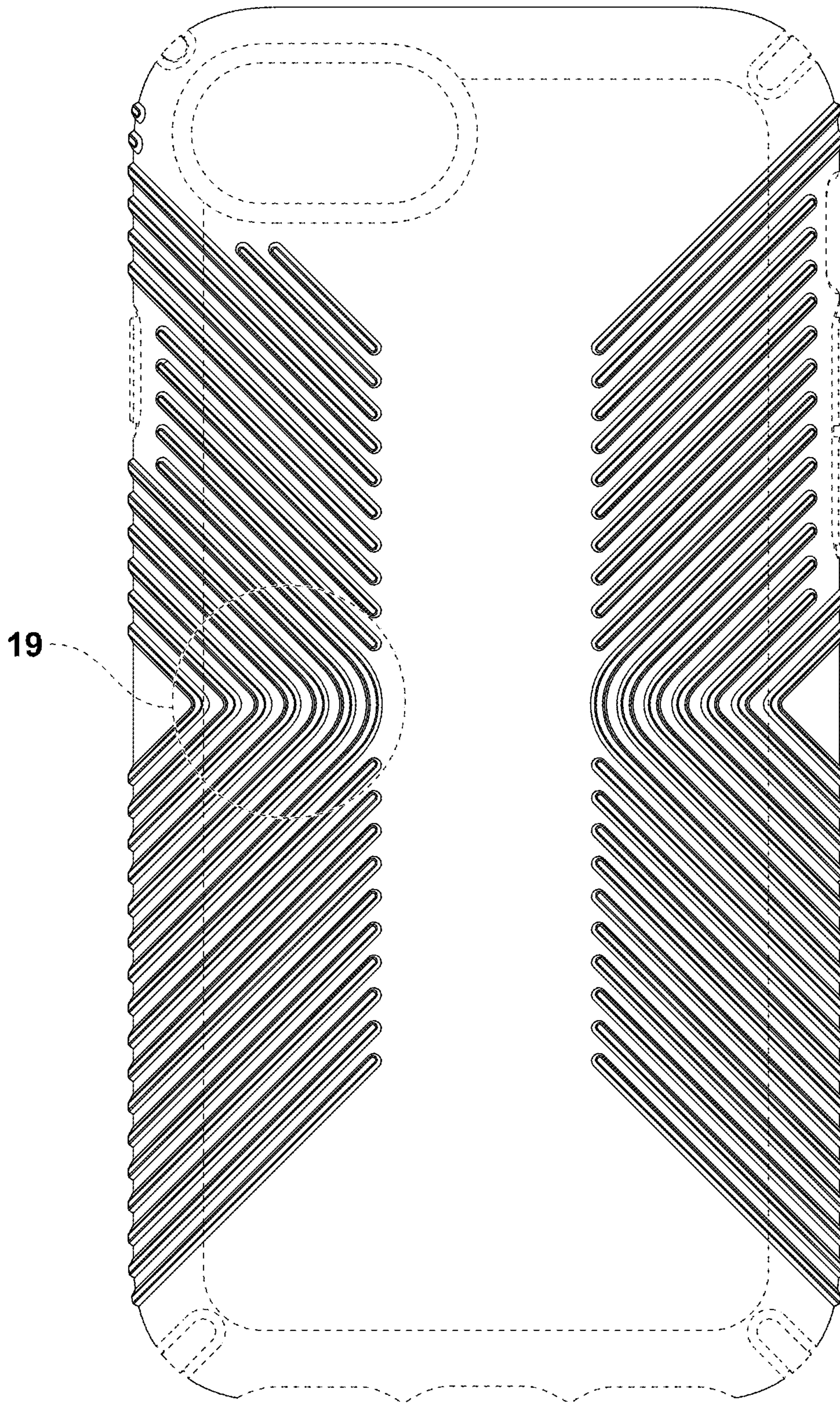


FIG. 12

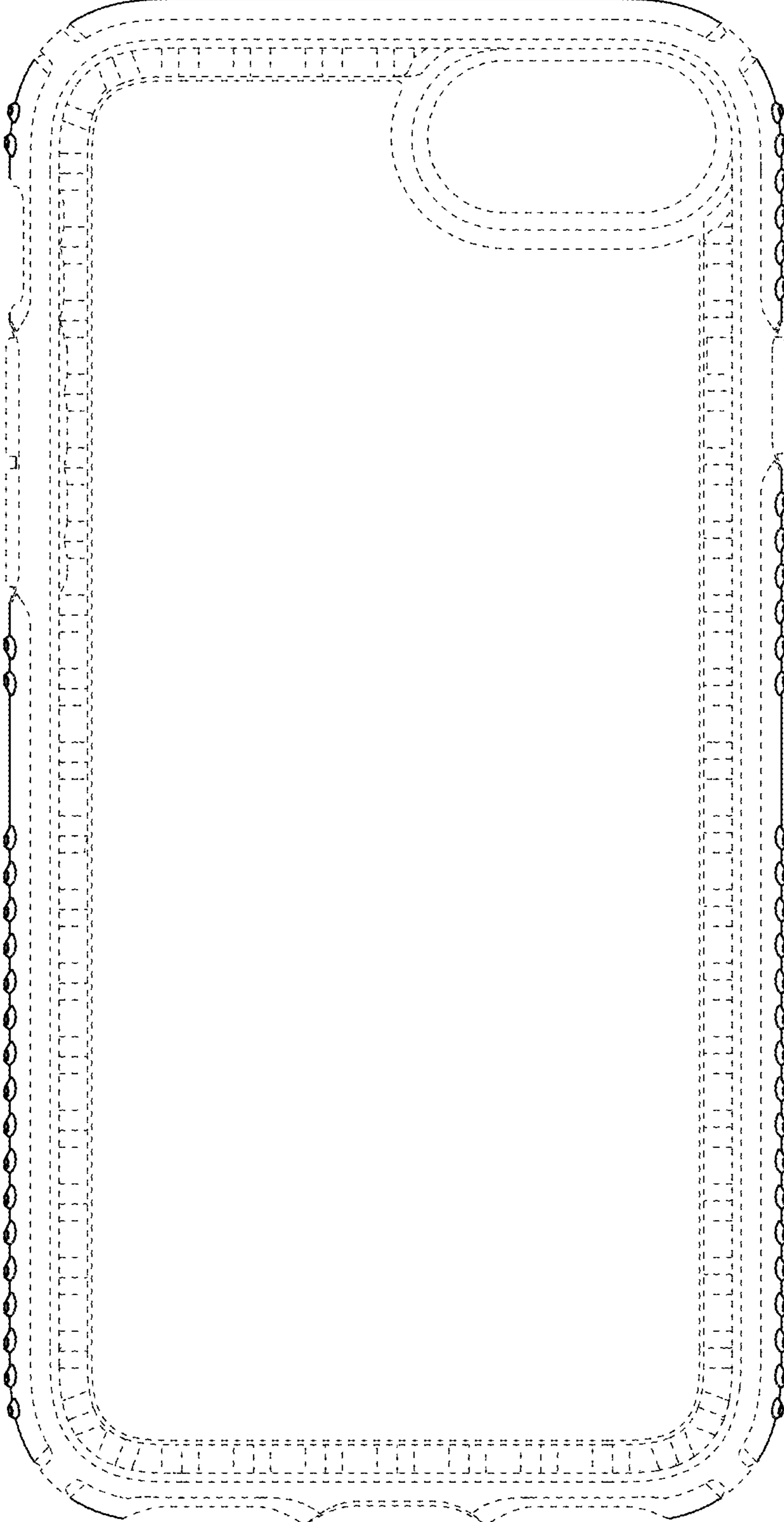


FIG. 13

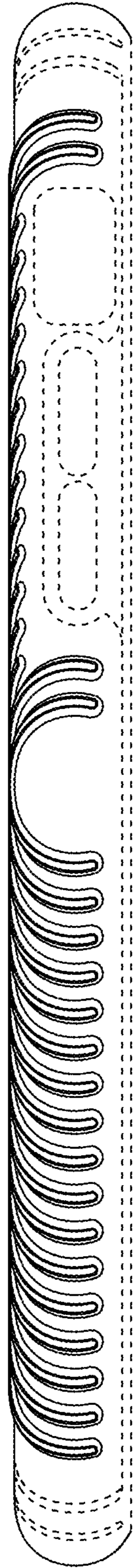


FIG. 14

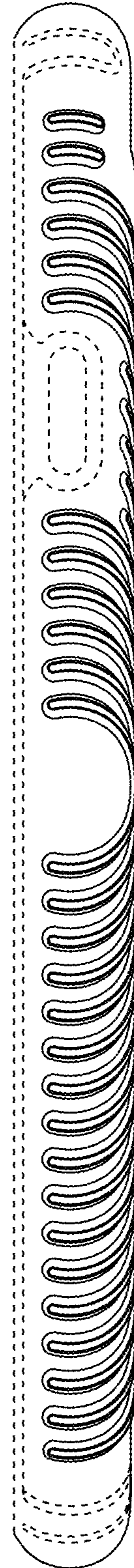


FIG. 15

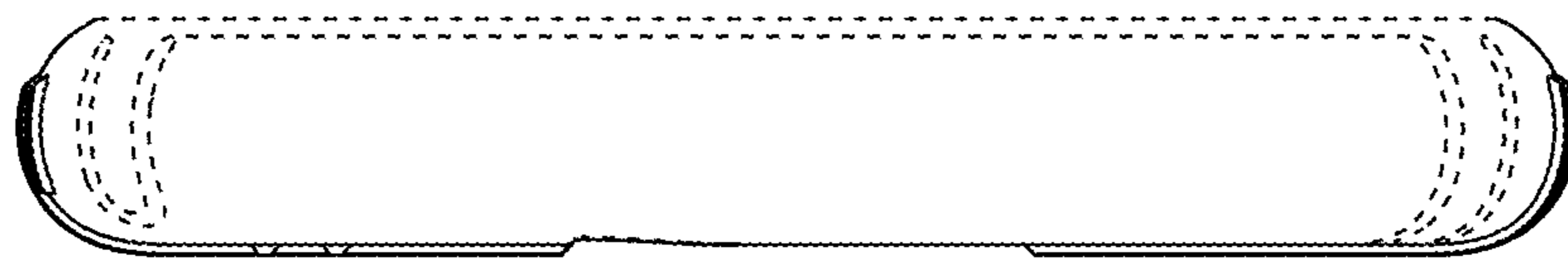


FIG. 16

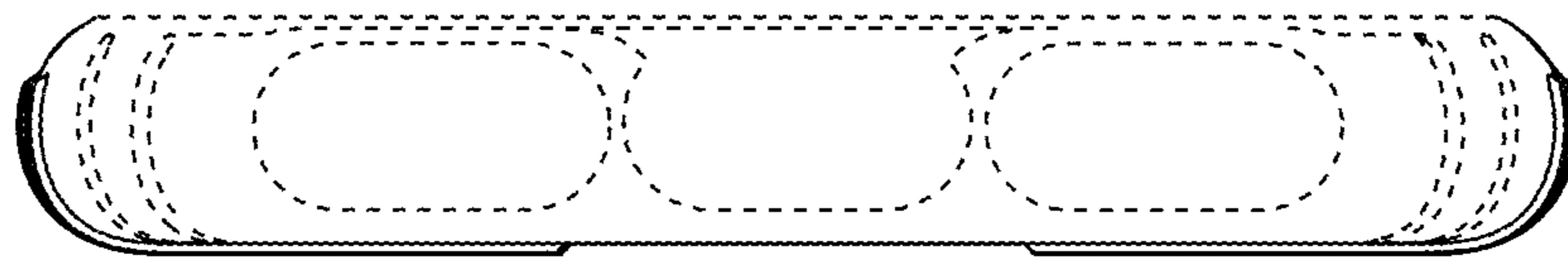


FIG. 17

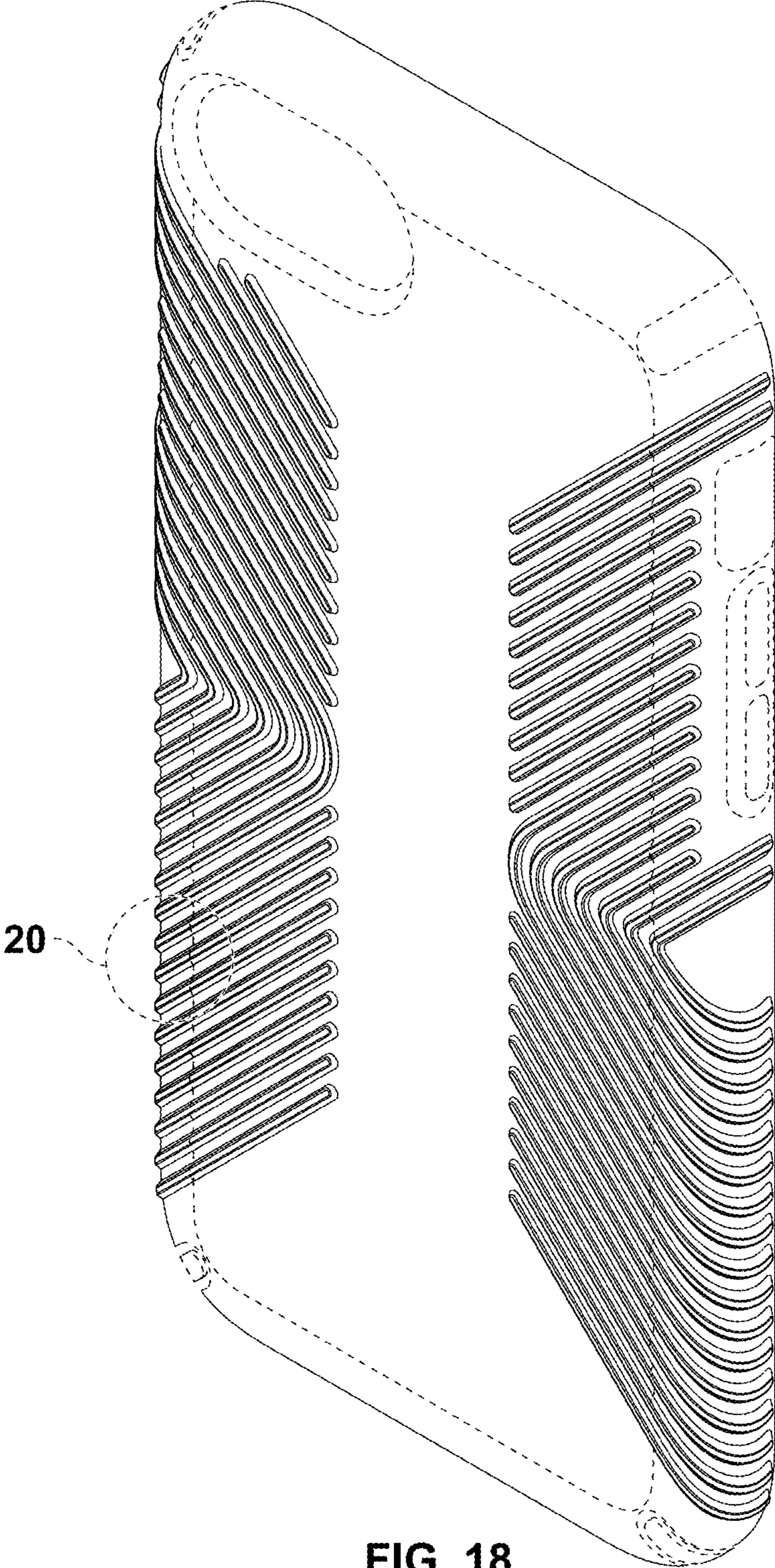


FIG. 18

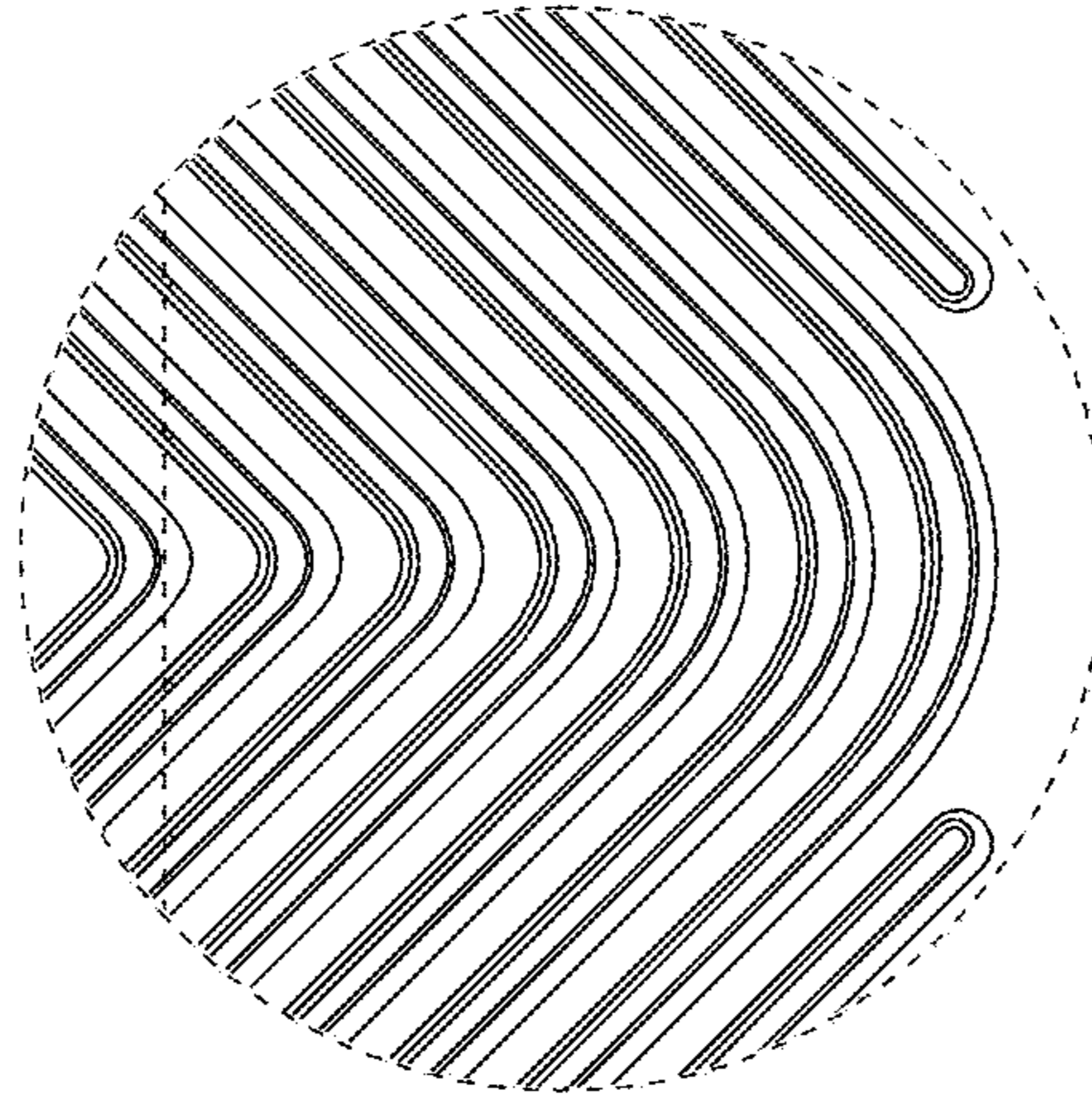


FIG. 19

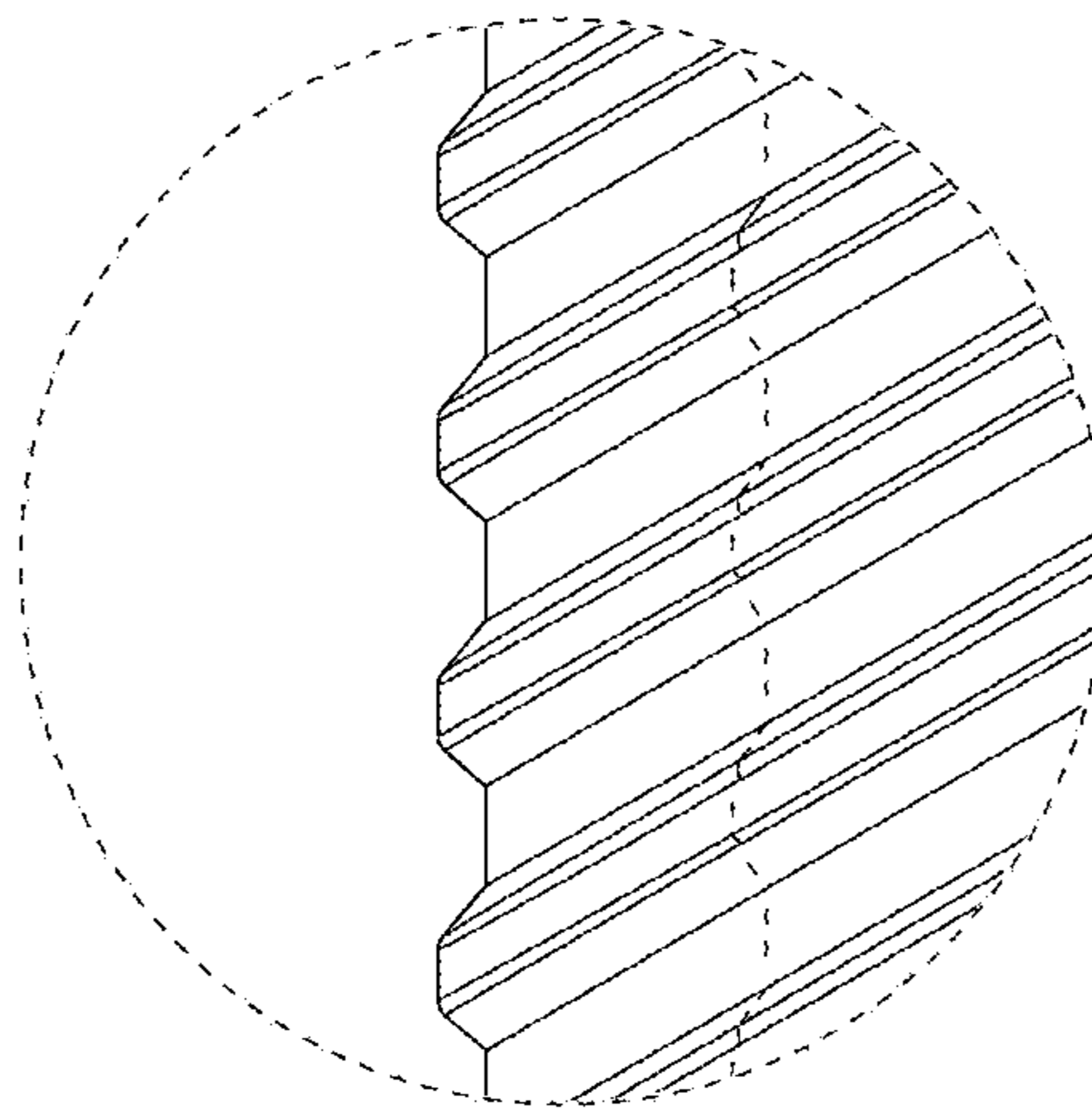


FIG. 20

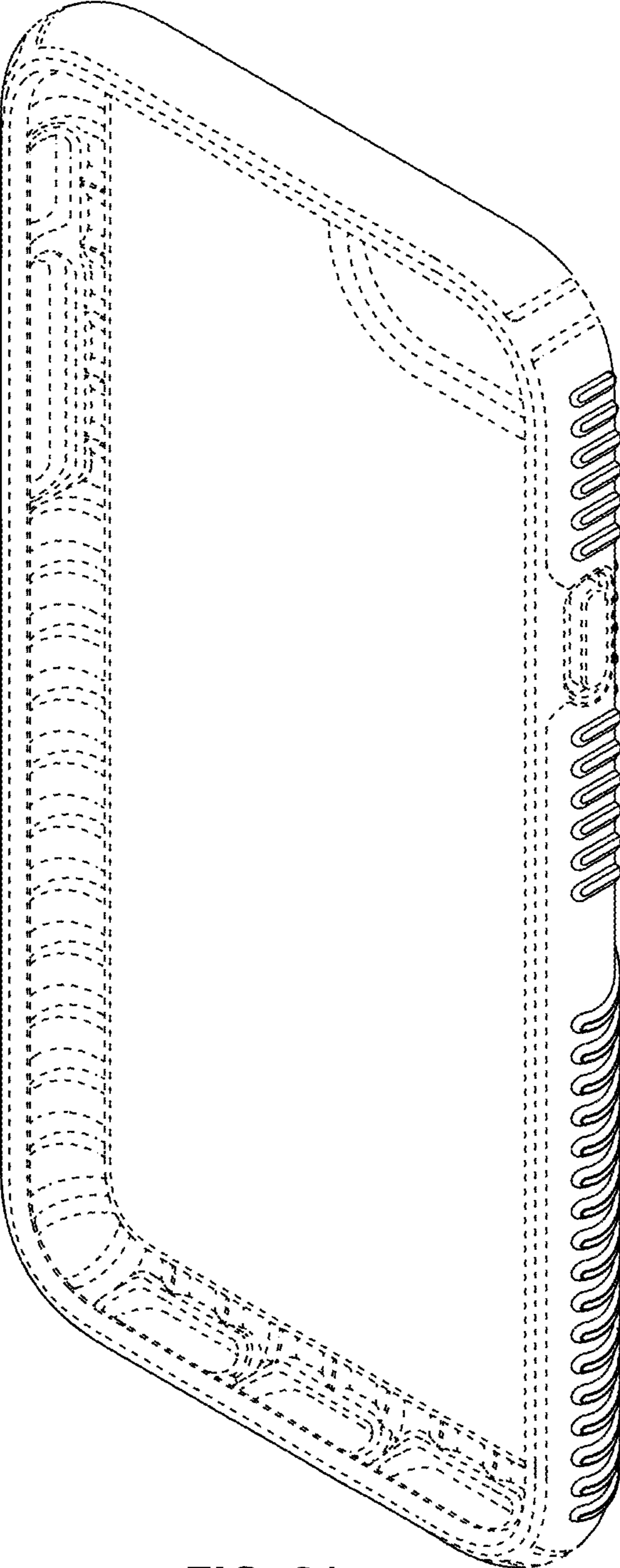


FIG. 21