



US00D889450S

(12) **United States Design Patent** (10) **Patent No.:** **US D889,450 S**
Choi et al. (45) **Date of Patent:** **** Jul. 7, 2020**

(54) **ELECTRONIC DEVICE**

(56)

References Cited

(71) Applicant: **Samsung Electronics Co., Ltd.**,
Suwon-si (KR)

(72) Inventors: **Hyok-Su Choi**, Seoul (KR);
Hyoung-Shin Park, Seongnam-si (KR);
Yun-Jin Kim, Seoul (KR)

(73) Assignee: **SAMSUNG ELECTRONICS CO., LTD.**,
Suwon-si (KR)

(**) Term: **15 Years**

(21) Appl. No.: **29/686,354**

(22) Filed: **Apr. 3, 2019**

U.S. PATENT DOCUMENTS

D556,755 S	12/2007	Lee	
D657,792 S	4/2012	Lee	
D667,826 S	9/2012	Lee	
D682,797 S	5/2013	Lee	
D687,800 S	8/2013	Lee	
D691,605 S	10/2013	Won	
D695,704 S	12/2013	Kim et al.	
D701,192 S	3/2014	Park	
D706,738 S	6/2014	Kim	
D740,774 S	10/2015	Im	
D742,347 S	11/2015	Kim	
D743,366 S	11/2015	Ryu	
D744,992 S	12/2015	Lee	
D746,245 S	12/2015	Ryu	
D750,588 S	3/2016	Kim	
D755,151 S	5/2016	Kim	
D776,075 S	1/2017	Kim	
D782,456 S	3/2017	Park	
D782,457 S	3/2017	Park	
D783,557 S	4/2017	Lee	
D783,561 S	4/2017	Lee	
D783,567 S	4/2017	Park	
D783,586 S	4/2017	Park	
D784,279 S	4/2017	Lee	
D786,848 S	5/2017	Park	
D786,849 S	5/2017	Park	
D786,850 S	5/2017	Park	
D788,089 S	5/2017	Park	
D789,314 S	6/2017	Lee	
D791,112 S	7/2017	Park	
D792,874 S	7/2017	Lee	
D817,912 S	* 5/2018	Choi	D14/138 G
D818,462 S	* 5/2018	Choi	D14/248
D831,605 S	* 10/2018	Baik	D14/138 G
D836,094 S	* 12/2018	Park	D14/248
D839,848 S	* 2/2019	Baik	D14/138 G
D847,777 S	* 5/2019	Choi	D14/138 G
D849,707 S	* 5/2019	Choi	D14/138 G
D854,524 S	* 7/2019	Choi	D14/248
D854,525 S	* 7/2019	Choi	D14/248
D854,526 S	* 7/2019	Choi	D14/248
D855,041 S	* 7/2019	Choi	D14/248
D856,958 S	* 8/2019	Seo	D14/138 G
D856,959 S	* 8/2019	Seo	D14/138 G
D857,643 S	* 8/2019	Choi	D14/138 G
D859,345 S	* 9/2019	Seo	D14/138 G
D860,150 S	* 9/2019	Seo	D14/138 G
D860,152 S	* 9/2019	Cho	D14/138 G
D862,406 S	* 10/2019	Choi	D14/138 G

Related U.S. Application Data

(63) Continuation of application No. 29/656,988, filed on Jul. 18, 2018, which is a continuation of application No. 29/646,459, filed on May 4, 2018, which is a continuation of application No. 29/605,232, filed on May 24, 2017, now Pat. No. Des. 817,912.

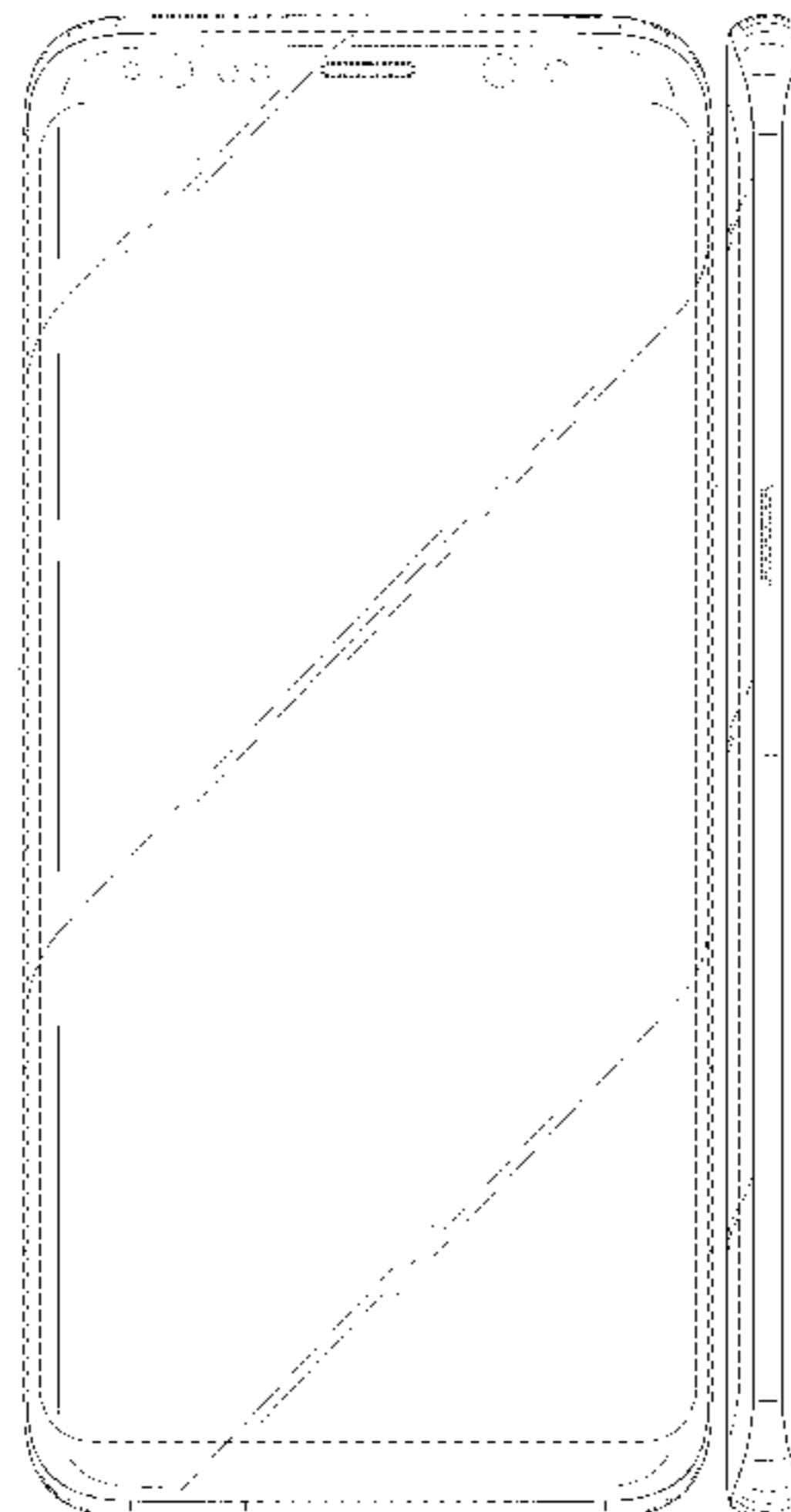
Foreign Application Priority Data

Dec. 9, 2016 (KR) 30-2016-0059959

(51) **LOC (12) Cl.** **14-03**

(52) **U.S. Cl.**
USPC **D14/248**

(58) **Field of Classification Search**
USPC D14/126, 137, 138 AA, 138 C, 138 G,
D14/203.7, 230, 248, 250, 341, 420;
D10/50, 65, 98, 104.1; D6/300, 308, 310
CPC G06F 1/1626; G06F 1/1652; H04M 1/027;
H04M 1/0202; H04M 1/0279; H04M
1/0235; H04M 1/0237; H04M 1/0239;
H04M 1/0266; H04M 1/0268; H04M
1/0295; H01Q 1/241; H01Q 1/243
See application file for complete search history.



D864,141	S	*	10/2019	Kim	D14/138	G
D871,360	S	*	12/2019	Seo	D14/138	G
D872,042	S	*	1/2020	Seo	D14/138	G
D872,043	S	*	1/2020	Seo	D14/138	G
D872,703	S	*	1/2020	Seo	D14/138	G
D873,230	S	*	1/2020	Seo	D14/138	G
D874,418	S	*	2/2020	Cho	D14/138	G
D875,700	S	*	2/2020	Seo	D14/138	G
D875,701	S	*	2/2020	Park	D14/138	G
2011/0096486	A1		4/2011	Oh			
2016/0234361	A1		8/2016	Baek			
2017/0063421	A1		3/2017	Moon			
2018/0259388	A1*		9/2018	Oh	G01J 1/44	
2019/0158641	A1*		5/2019	Kim	H04M 1/0264	
2020/0014781	A1*		1/2020	Lee	H04M 1/0266	

FOREIGN PATENT DOCUMENTS

CN	302063811	9/2012
CN	302543045	8/2013
CN	303102156	2/2015
CN	303308883	7/2015
CN	303710873	6/2016
CN	303710990	6/2016
CN	303739031	7/2016
CN	303774538	8/2016
CN	303932209	11/2016
CN	303932212	11/2016
CN	303949370	11/2016
CN	304168219	6/2017
KR	3009515510000	* 4/2018

OTHER PUBLICATIONS

Samsung Galaxy S8 ‘infinity screen’ revealed in new leaks, Stacy Liberatore, published Feb. 10, 2017, [online], [site visited Feb. 18, 2020]. Retrieved from url: <https://www.dailymail.co.uk/sciencetech/article-4212660/Samsung-Galaxy-S8-infinity-screen-revealed-new-leaks.html> (Year: 2017).*

Jed John on the GizmoChina website, Jan. 18, 2017, [online], [site visited Jul. 3, 2018]. Retrieved from url: <https://www.gizmochina.com/2017/01/18/samsung-galaxy-s8-alleged-display-panels-leak/> (Year: 2017).*

Samsung Galaxy S Light Luxury, May 31, 2018, [online], [site visited Jun. 28, 2018]. Retrieved from url: https://www.gsmarena.com/samsung_galaxy_s_light_luxury-pictures-9202.php (Year: 2018).*

Samsung Galaxy S9 plus, Mar. 31, 2018, [online], [site visited Jun. 28, 2018]. Retrieved from url: https://www.gsmarena.com/samsung_galaxy_s9+-pictures-8967.php (Year: 2018).*

Kelvin, “LG G Edge is a Fancy Looking Smartphone, Right Out of Samsung’s Playbook (Video),” <https://www.concept-phones.com/tag/lg-dual-curved-edge-phone/>, Sep. 8, 2015, Date Accessed: May 26, 2017.

Daniel Gubalane, “Cherry Mobile Launches Flare Infinity with True Borderless Display,” <https://web.archive.org/web/20161019153753/http://www.pinoytechnoguide.com/2016/10/cherry-mobile-flare-infinity-borderless-display.html>, Oct. 19, 2016, Date Accessed: May 26, 2017.

Sing Tech IT & Communications, “Infinity L1 Plus,” <https://web.archive.org/web/20160630035719/http://www.singtech.asia:80/product/infinity-11-plus/>, Jun. 30, 2016, Date Accessed: May 26, 2017.

Tech Desk, “Apple iPhone 8 to Samsung Galaxy S8: The bezel-less smartphones are coming,” The Indian Express Mobile & Tabs, Nov. 21, 2016, Date Accessed: May 26, 2017.

Alan F, “Sharp’s new Corner R concept phone sports a bezel-less curved edge display,” Phonearena, Oct. 6, 2016, Date Accessed: May 26, 2017.

Paul Miller, “I just like thinking about a bezel-less iPhone,” Theverge, Jun. 6, 2016, Date Accessed: May 26, 2017.

Todd Haselton, “Stunning iPhone 8 concept has zero bezels, no home button,” Technobuffalo, Nov. 1, 2016, Date Accessed: May 26, 2017.

Matt Swayne, “Bigger smartphone screens can change customer’s buying intentions,” Economics & Business, <http://www.phys.org>, Nov. 25, 2015, Date Accessed: May 26, 2017.

Tech Desk, “Xiaomi Mi Note 2 leaked pictures reveal ultra-thin bezel: Report,” The Indian Express Mobile & Tabs, Oct. 19, 2016, Date Accessed: May 26, 2017.

Victor H, “LG demonstrates 5-inch display with almost no bezel,” Phonearena, May 23, 2013, Date Accessed: May 26, 2017.

Adrian Diaconescu, “Top Android smartphones with the highest screen-to-body ratio,” Theandroidguy, May 19, 2015, Date Accessed: May 26, 2017.

Vivo Xplay5, Mar. 2016, [online], [site visited May 3, 2018], Retrieved from url: https://www.gsmarena.com/vivo_xplay5-pictures-7966.php.

Xiaomi Mi MIX 2 i is Finally Ready, Concept Phones, Kelvin, Mar. 18, 2017, [online], [site visited May 3, 2018], Retrieved from url: <https://www.concept-phones.com/xiaomi/xiaomi-mi-mix-2-finally-ready-designed-concept-creator-video/>.

Xiaomi Mi Mix, Nov. 2016, [online], [site visited May 3, 2018], Retrieved from url: https://www.gsmarena.com/xiaomi_mi_mix-pictures-8400.php.

Xiaomi Mi Note 2, Nov. 2016, [online], [site visited May 3, 2018], Retrieved from url: https://www.gsmarena.com/xiaomi_mi_note_2-pictures-8014.php.

* cited by examiner

Primary Examiner — Michelle E. Wilson

Assistant Examiner — Tracey J Bell

(74) Attorney, Agent, or Firm — McAndrews Held & Malloy, Ltd.

(57)

CLAIM

The ornamental design for an electronic device, as shown and described.

DESCRIPTION

FIG. 1 is a front perspective view of an electronic device showing our new design;

FIG. 2 is a front elevation view thereof;

FIG. 3 is a rear elevation view thereof;

FIG. 4 is a left side elevation view thereof;

FIG. 5 is a right side elevation view thereof;

FIG. 6 is a top plan view thereof;

FIG. 7 is a bottom plan view thereof;

FIG. 8 is a rear perspective view thereof;

FIG. 9 is an enlarged view of the encircled portion 9 in FIG. 1;

FIG. 10 is an enlarged view of the encircled portion 10 in FIG. 4;

FIG. 11 is an enlarged view of the encircled portion 11 in FIG. 6; and,

FIG. 12 is an enlarged view of the encircled portion 12 in FIG. 8.

The evenly spaced dashed broken lines in the figures depict portions of the electronic device that form no part of the claimed design. The unevenly spaced dot-dash broken lines in the figures encircling portions of the claimed design that are illustrated in enlargements form no part of the claimed design.

1 Claim, 12 Drawing Sheets

FIG. 1

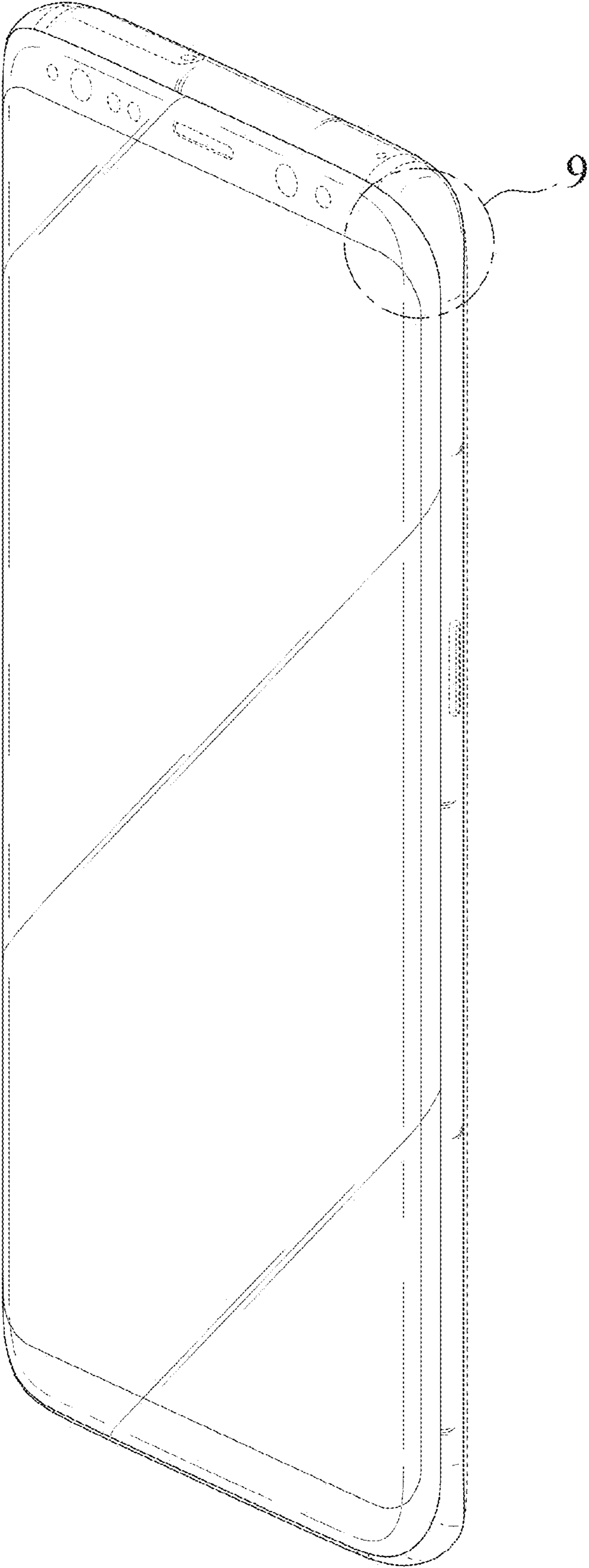


FIG. 2

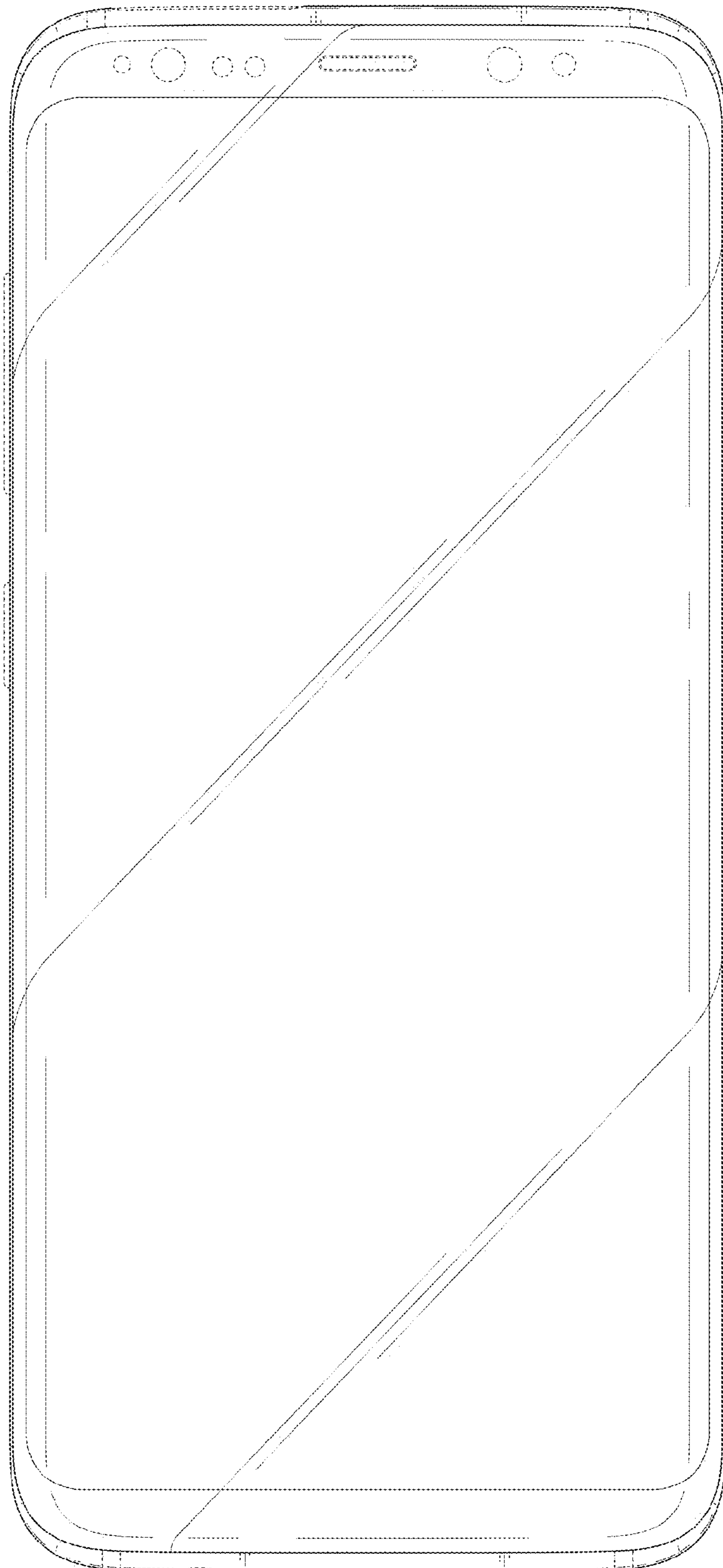


FIG. 3



FIG. 4

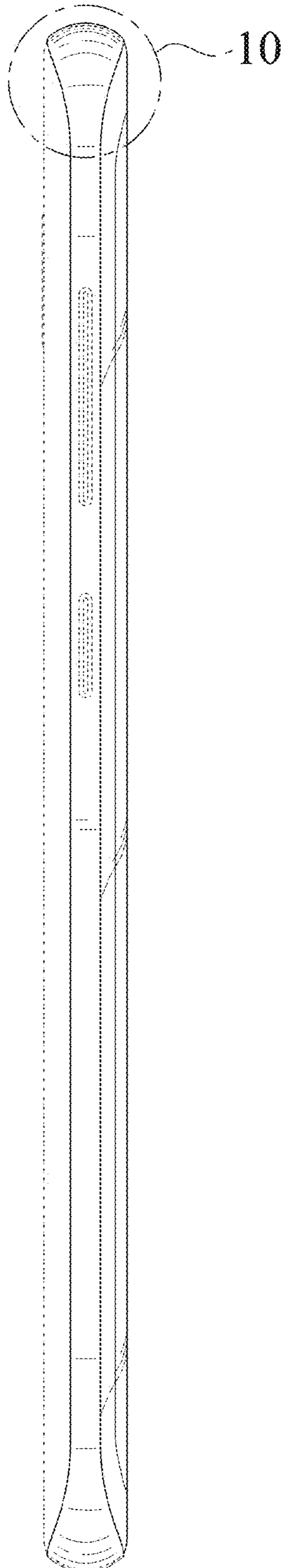


FIG. 5

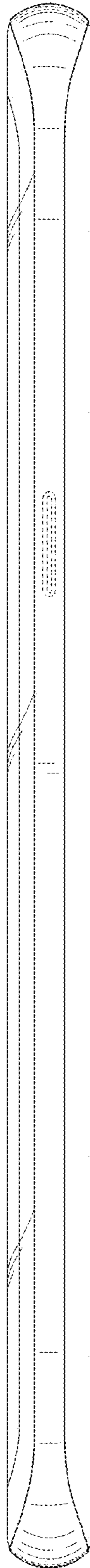


FIG. 6

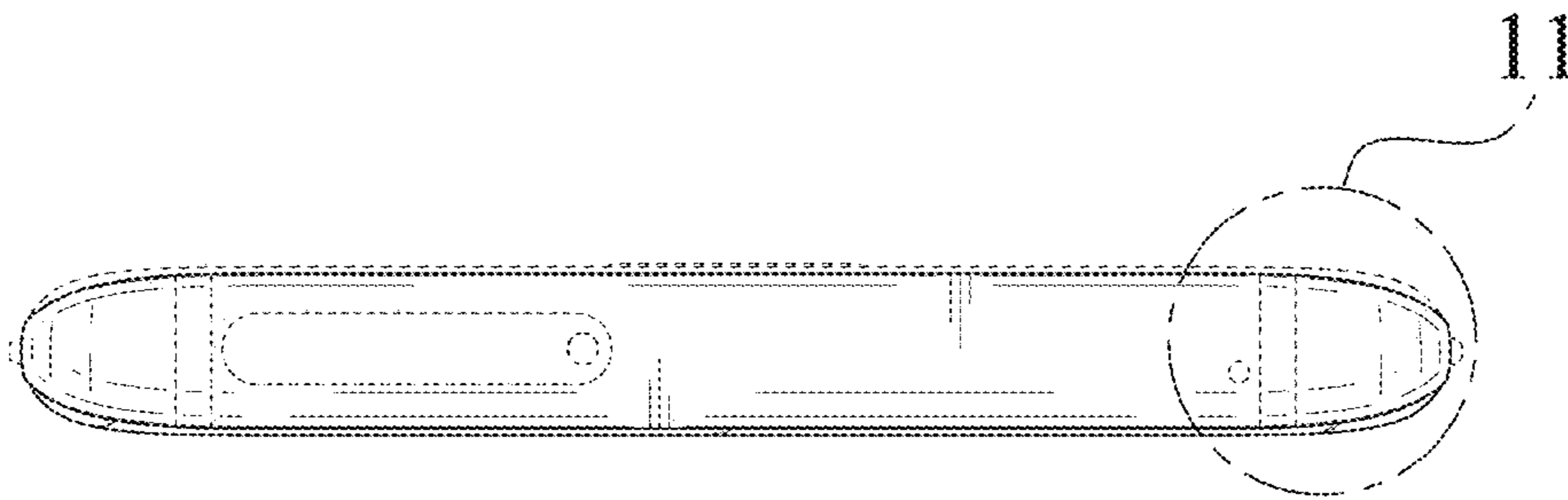


FIG. 7

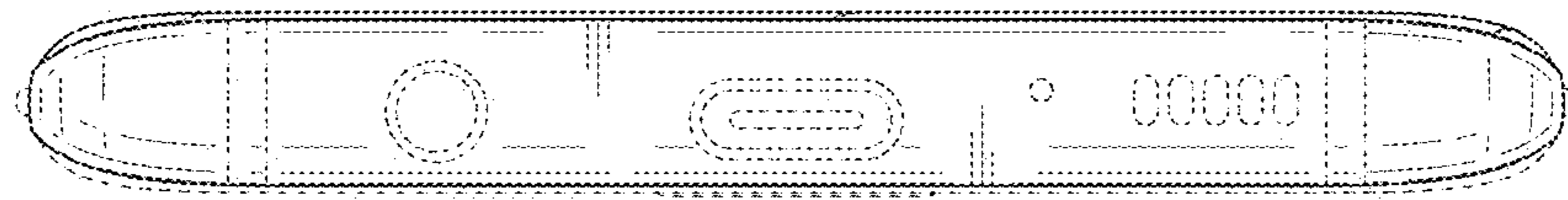


FIG. 8

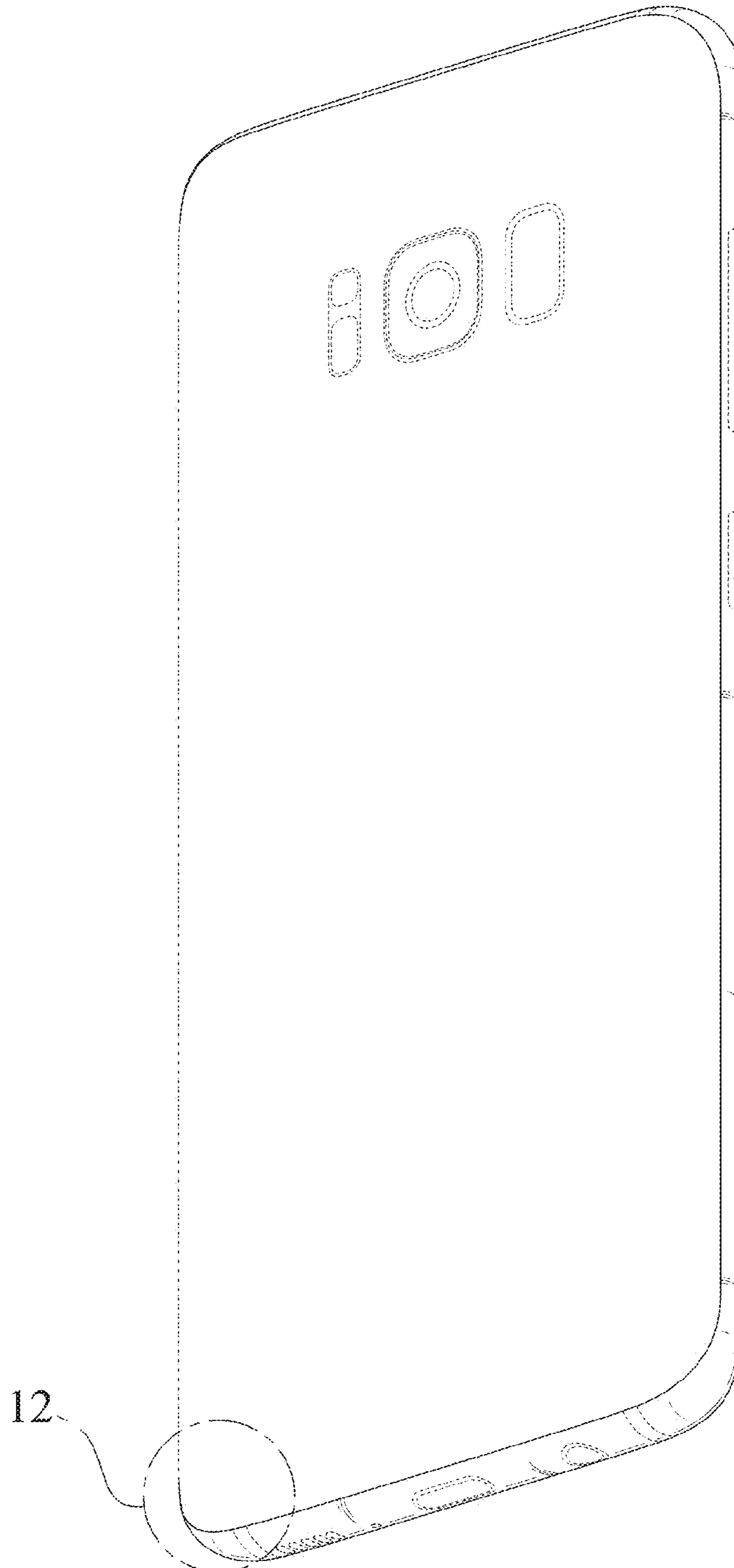


FIG. 9

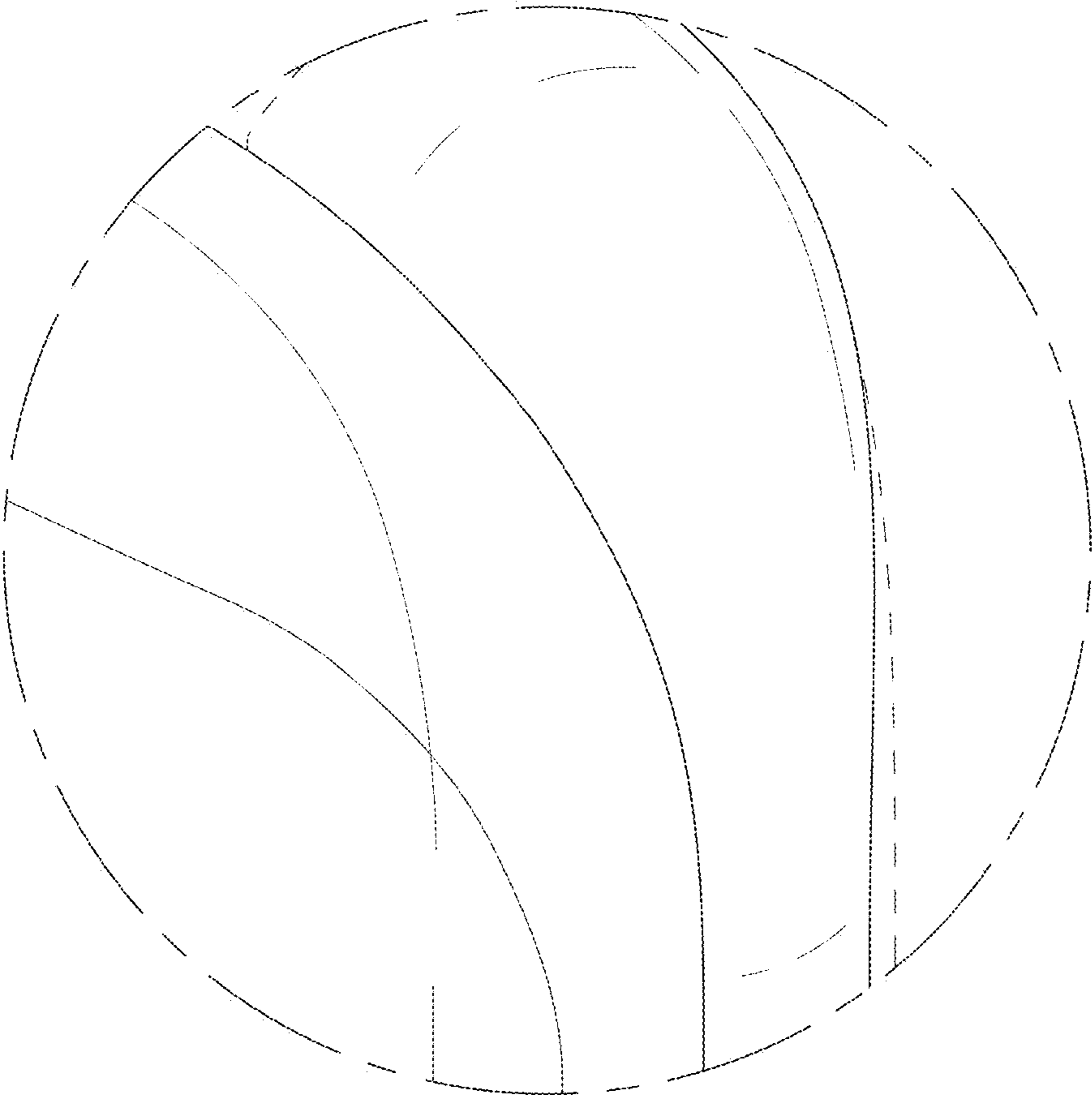


FIG. 10

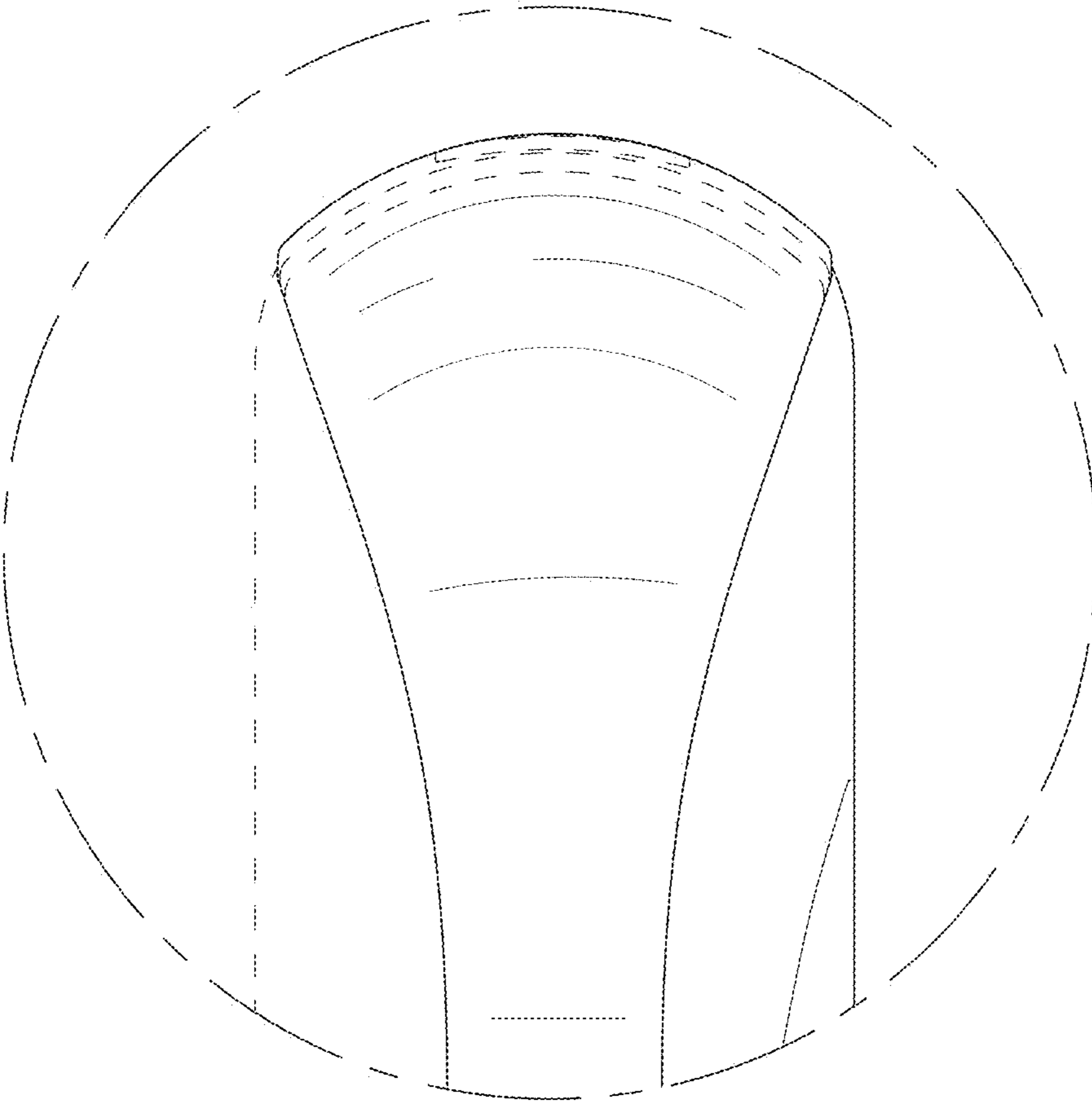


FIG. 11

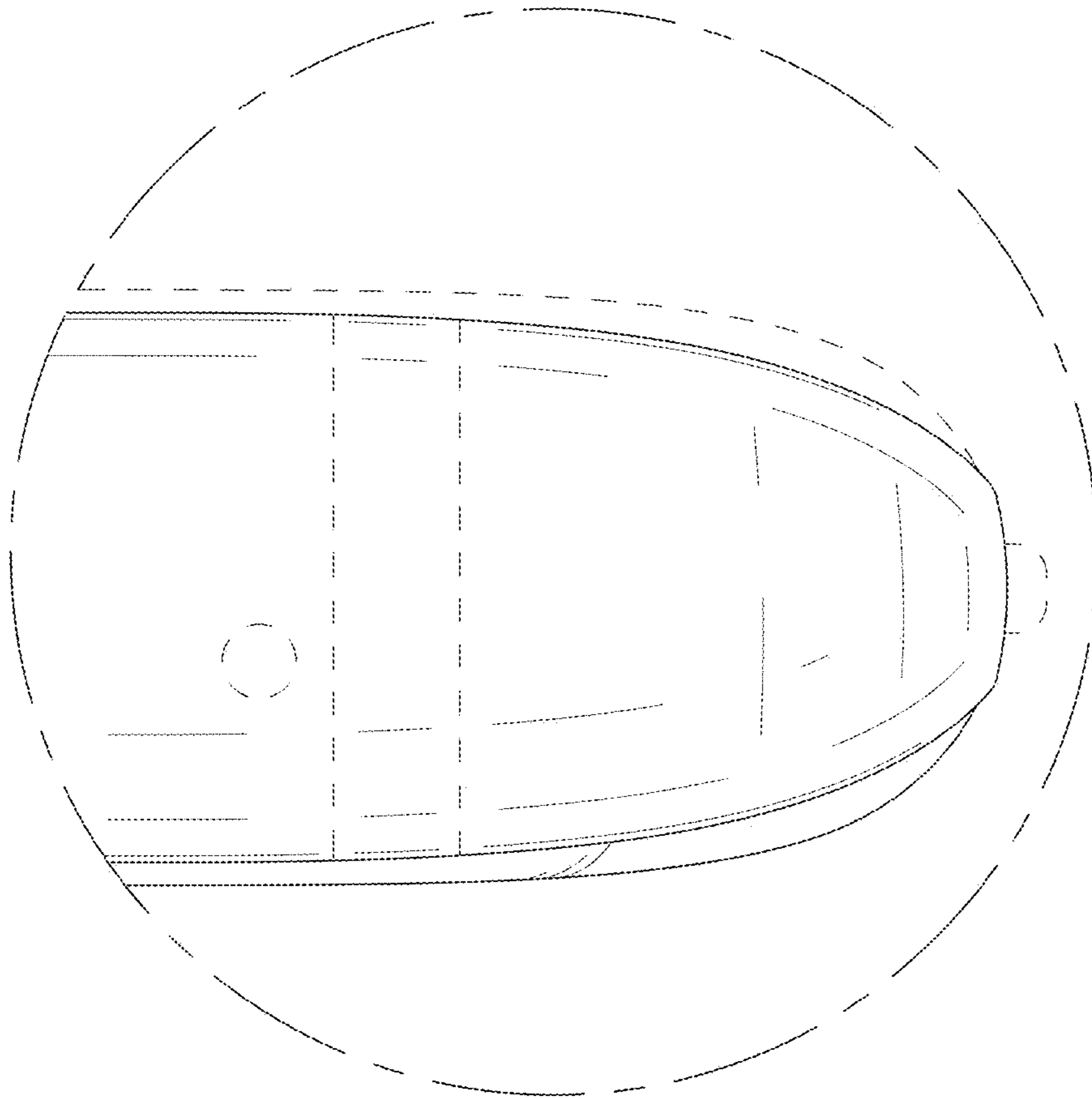


FIG. 12

