



US00D889447S

(12) **United States Design Patent**  
**Biddle**

(10) **Patent No.:** **US D889,447 S**

(45) **Date of Patent:** **\*\* Jul. 7, 2020**

(54) **RANGE EXTENDER DEVICE**

(71) Applicant: **Amazon Technologies, Inc.**, Seattle, WA (US)

(72) Inventor: **Jonathan Howard Biddle**, San Francisco, CA (US)

(73) Assignee: **Amazon Technologies, Inc.**, Seattle, WA (US)

(\*\*) Term: **15 Years**

(21) Appl. No.: **29/640,400**

(22) Filed: **Mar. 14, 2018**

(51) **LOC (12) Cl.** ..... **14-01**

(52) **U.S. Cl.**  
USPC ..... **D14/240**

(58) **Field of Classification Search**

USPC ..... D14/240, 242, 358, 348, 349, 356–357, D14/363, 432, 433, 474, 480.1, 496, 125, D14/137, 139, 140–140.9, 155, 203.1, D14/217, 188, 299, 204, 216, 301, 313, D14/431, 434, 214; D13/110, 123, 108, D13/158, 184, 199; D10/104.1, 106.1, D10/106.2, 106.6; D26/67, 68, 85, 118, D26/120–124, 128, 131–137;

(Continued)

(56) **References Cited**

**U.S. PATENT DOCUMENTS**

D182,794 S \* 5/1958 Eames ..... D14/214  
D598,906 S \* 8/2009 Chiba ..... D14/240

(Continued)

**FOREIGN PATENT DOCUMENTS**

CN 303826103 \* 8/2016

**OTHER PUBLICATIONS**

Panasonic Open Box\_ DIY Home Monitoring and Control Kit , published Apr. 29, 2017, [online], [site visited Nov. 18, 2019]. Retrieved from url:https://www.newegg.com/p/0YH-003T-000W3R (Year: 2017).\*

(Continued)

*Primary Examiner* — Michelle E. Wilson

*Assistant Examiner* — Tracey J Bell

(74) *Attorney, Agent, or Firm* — Lee & Hayes, P.C.

(57) **CLAIM**

The ornamental design for a range extender device, as shown and described.

**DESCRIPTION**

FIG. 1 is a top, front, right-side perspective view of a first embodiment of a range extender device;

FIG. 2 is a bottom, back, right-side perspective view of thereof;

FIG. 3 is a bottom, back, left-side perspective view thereof;

FIG. 4 is a front view thereof. The small circle in middle portion of the front surface of the range extender device indicates a hole in a mask underneath the top surface. Therefore, the contour lines shown within the small circle traverse the area over small circle and onto the top surface of the range extender device.

FIG. 5 is a back view thereof;

FIG. 6 is a left-side view thereof;

FIG. 7 is a right-side view thereof;

FIG. 8 is a top view thereof;

FIG. 9 is a bottom view thereof;

FIG. 10 is a top, front, right-side perspective view of a second embodiment of a range extender device;

FIG. 11 is a bottom, back, right-side perspective view thereof;

FIG. 12 is a bottom, back, left-side perspective view thereof;

FIG. 13 is a front view thereof;

FIG. 14 is a back view thereof;

FIG. 15 is a left-side view thereof;

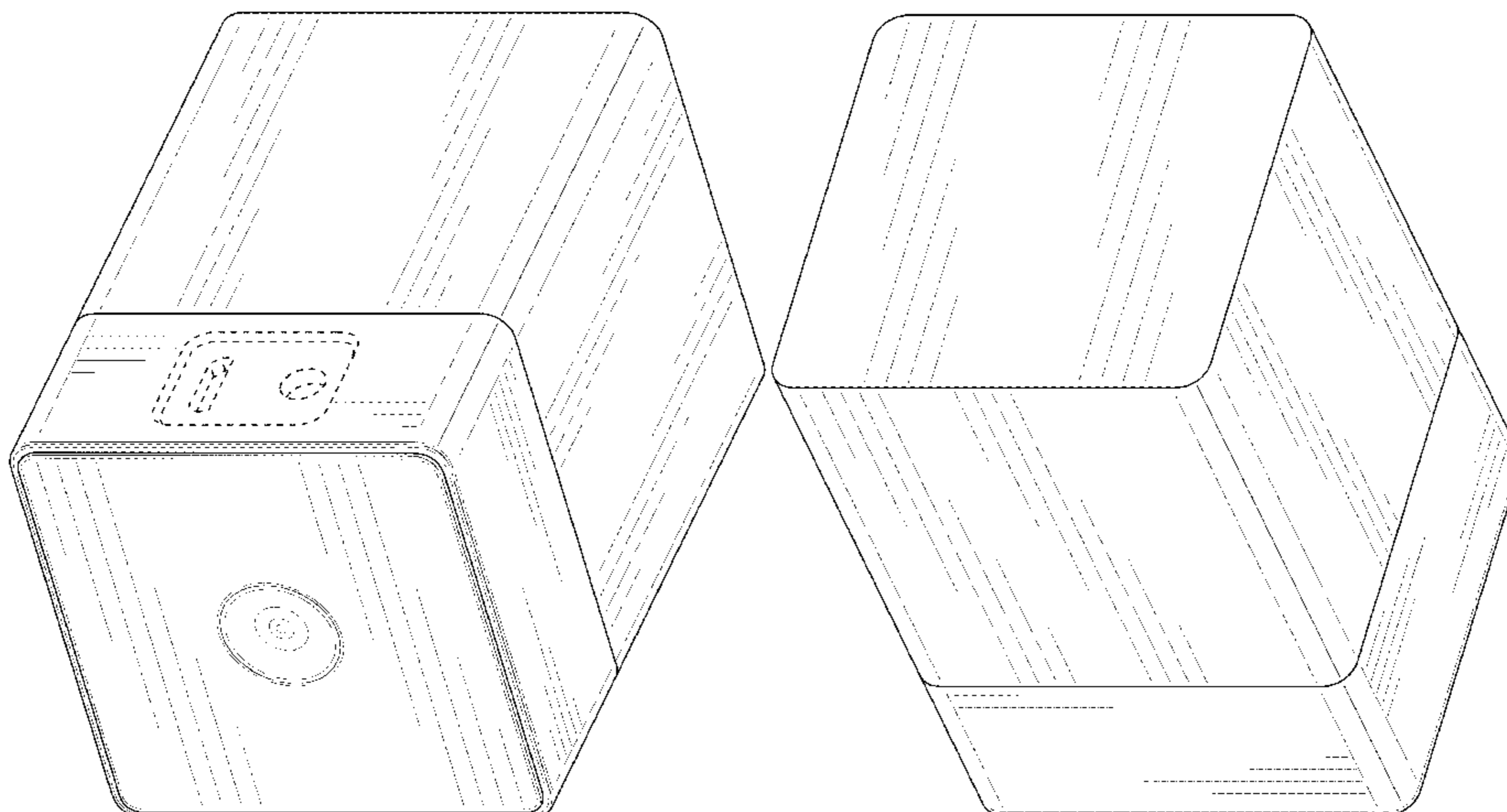
FIG. 16 is a right-side view thereof;

FIG. 17 is a top view thereof; and,

FIG. 18 is a bottom view thereof.

The broken lines depict portions of the range extender device that form no part of the claimed design.

**1 Claim, 18 Drawing Sheets**



(58) **Field of Classification Search**

USPC ..... D11/143,  
 D11/155; D6/556; D23/366; D9/542,  
 D9/560; D3/200–203.8, 204–208, 218,  
 D3/219, 263, 265, 901; D19/104, 106,  
 D19/95, 926, 92; D7/538, 542, 391, 392,  
 D7/392.1, 354, 397, 505, 550.1, 554.3,  
 D7/629  
 CPC ..... H04W 88/00; H04W 88/04; H04W 88/02;  
 H04W 88/005; H04W 92/06; H04W  
 88/18; H04W 88/08; H04W 88/085;  
 H04W 88/10; H04W 88/12; H04W 88/14;  
 H04W 88/16; H04B 1/38; H04B 1/3827;  
 H04L 12/00; H01Q 1/02; H01Q 1/2291;  
 H01Q 1/246

See application file for complete search history.

(56) **References Cited**

U.S. PATENT DOCUMENTS

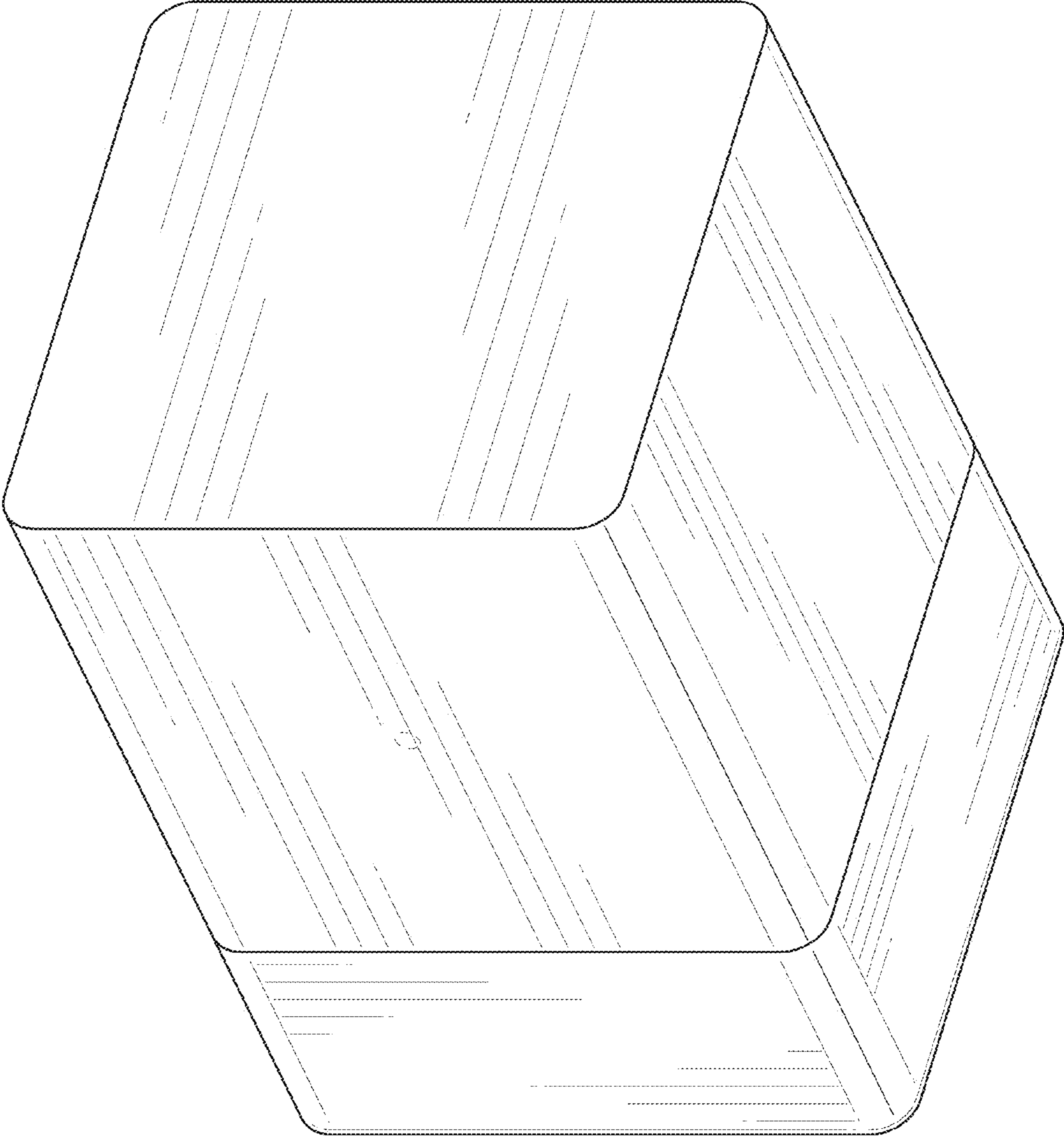
D629,827 S \* 12/2010 Morenstein ..... D16/221  
 D668,143 S \* 10/2012 Akana ..... D14/496

D702,547 S \* 4/2014 Akana ..... D14/496  
 D713,405 S \* 9/2014 Akana ..... D14/349  
 D722,053 S \* 2/2015 Wang ..... D14/358  
 D754,101 S \* 4/2016 McManigal ..... D14/214  
 D758,345 S \* 6/2016 Fujioka ..... D14/214  
 D760,691 S \* 7/2016 Paslawski ..... D14/214  
 D763,262 S \* 8/2016 Hallar ..... D14/434  
 D804,460 S \* 12/2017 Li ..... D14/242  
 D815,610 S \* 4/2018 Lee ..... D14/125  
 D817,927 S \* 5/2018 McManigal ..... D14/214  
 D842,847 S \* 3/2019 Walliser ..... D14/240  
 D848,406 S \* 5/2019 Pera ..... D14/242  
 D855,028 S \* 7/2019 Green ..... D14/125  
 D856,317 S \* 8/2019 Bone ..... D14/242  
 D864,895 S \* 10/2019 Kim ..... D14/204

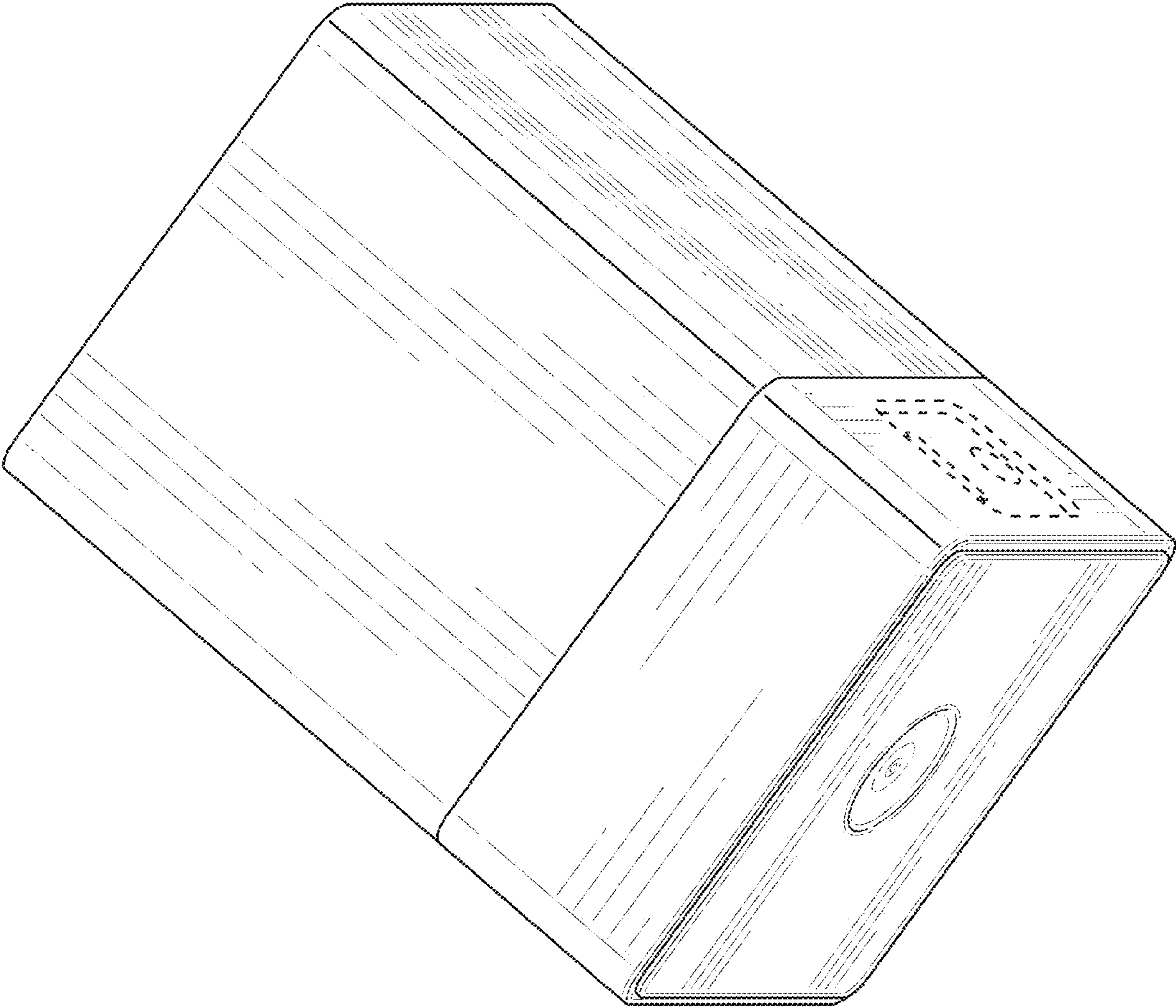
OTHER PUBLICATIONS

The Indian Office Action dated Sep. 25, 2018, for the Indian Patent Application No. P44811-IN01, a counterpart foreign patent application of the U.S. Appl. No. 29/640,400, 2 pages.

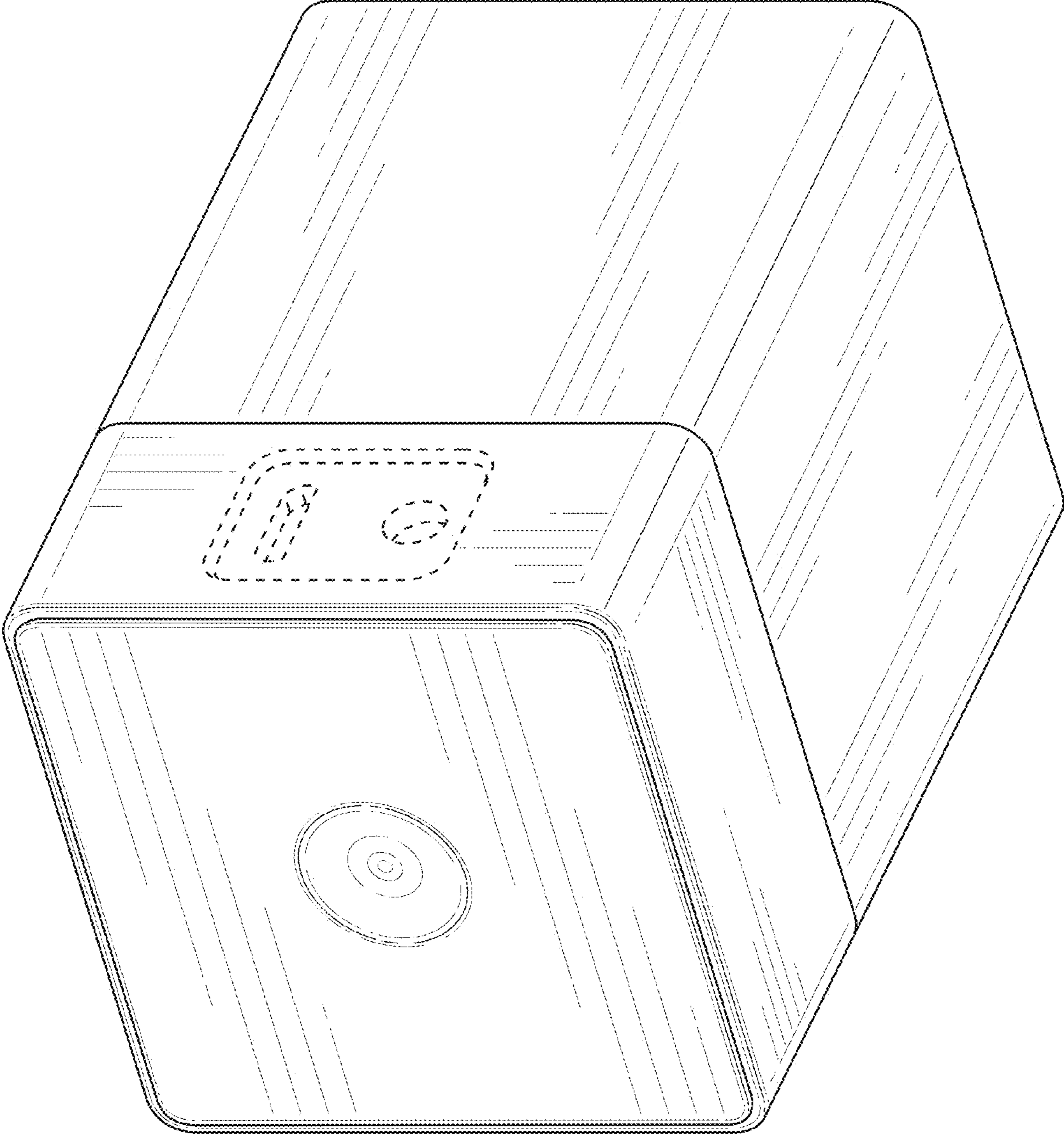
\* cited by examiner



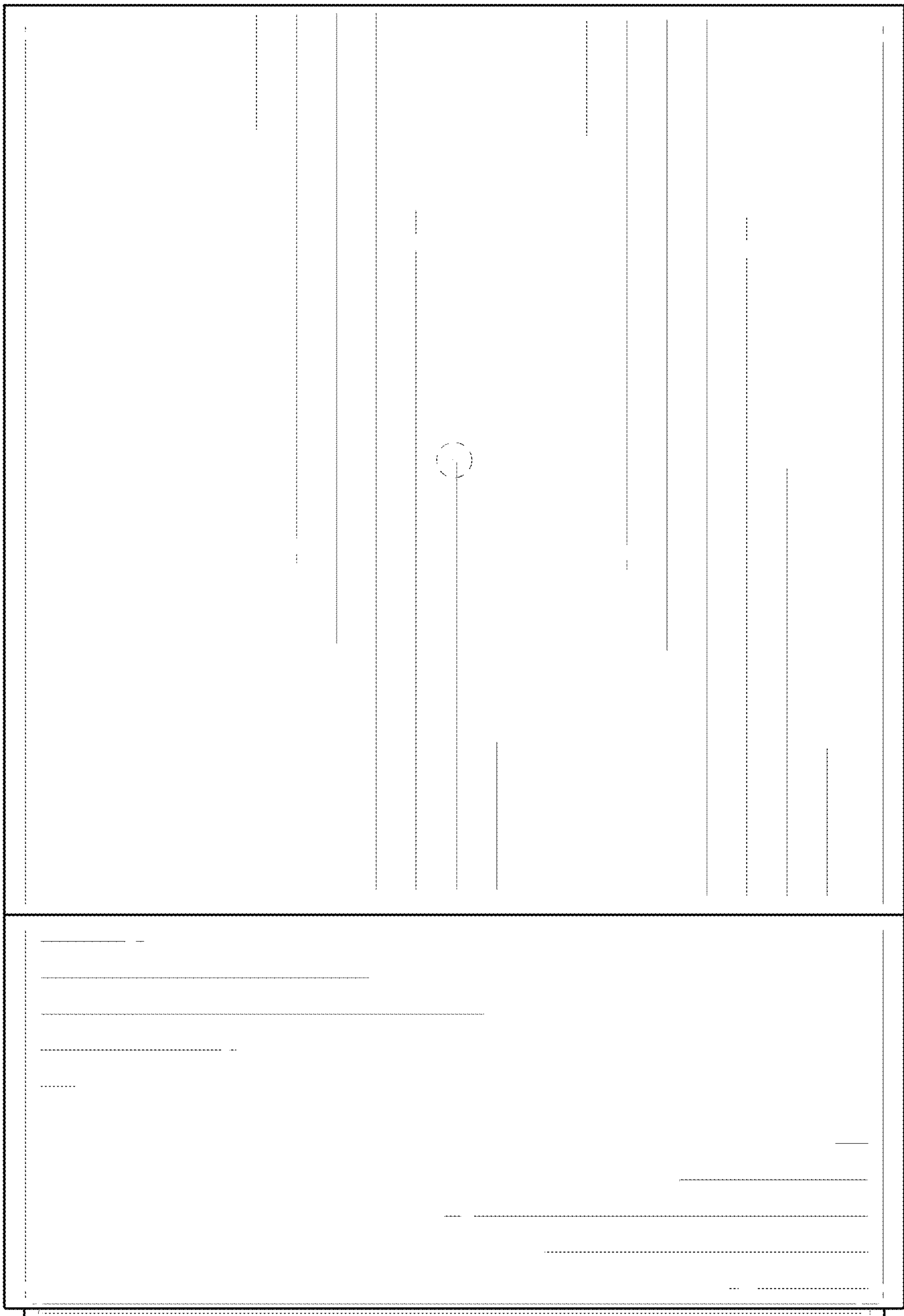
**FIG. 1**



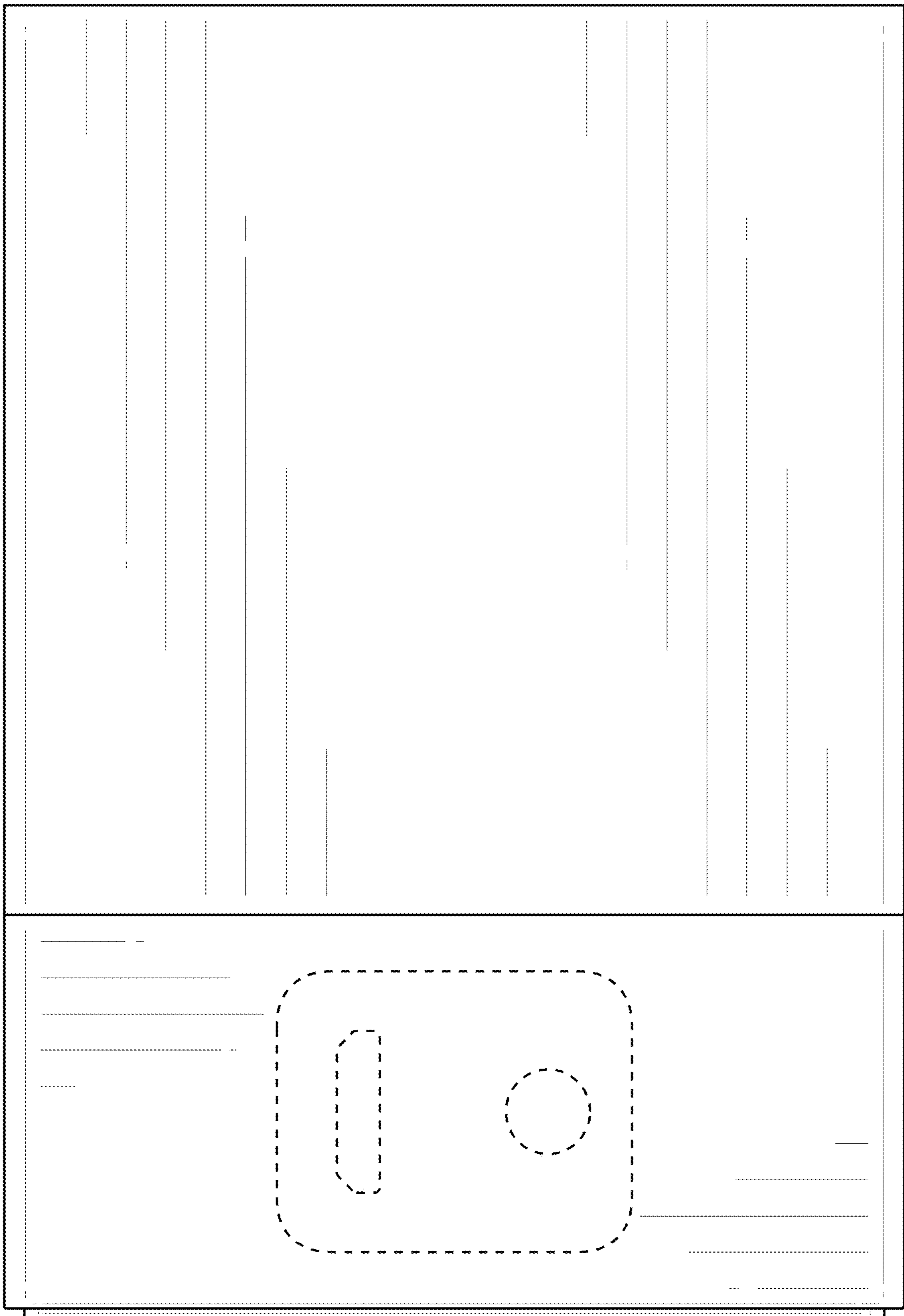
**FIG. 2**



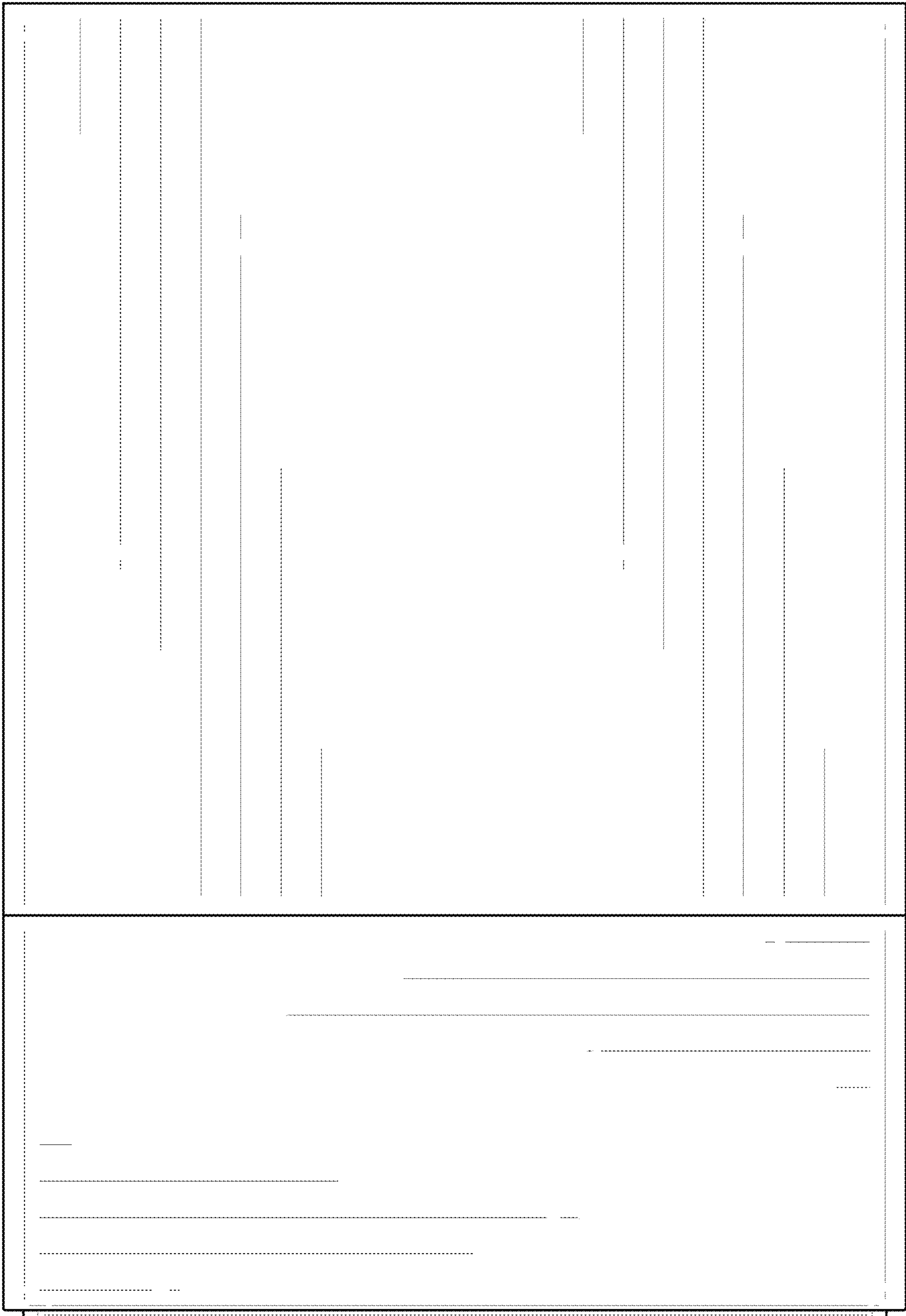
**FIG. 3**



**FIG. 4**

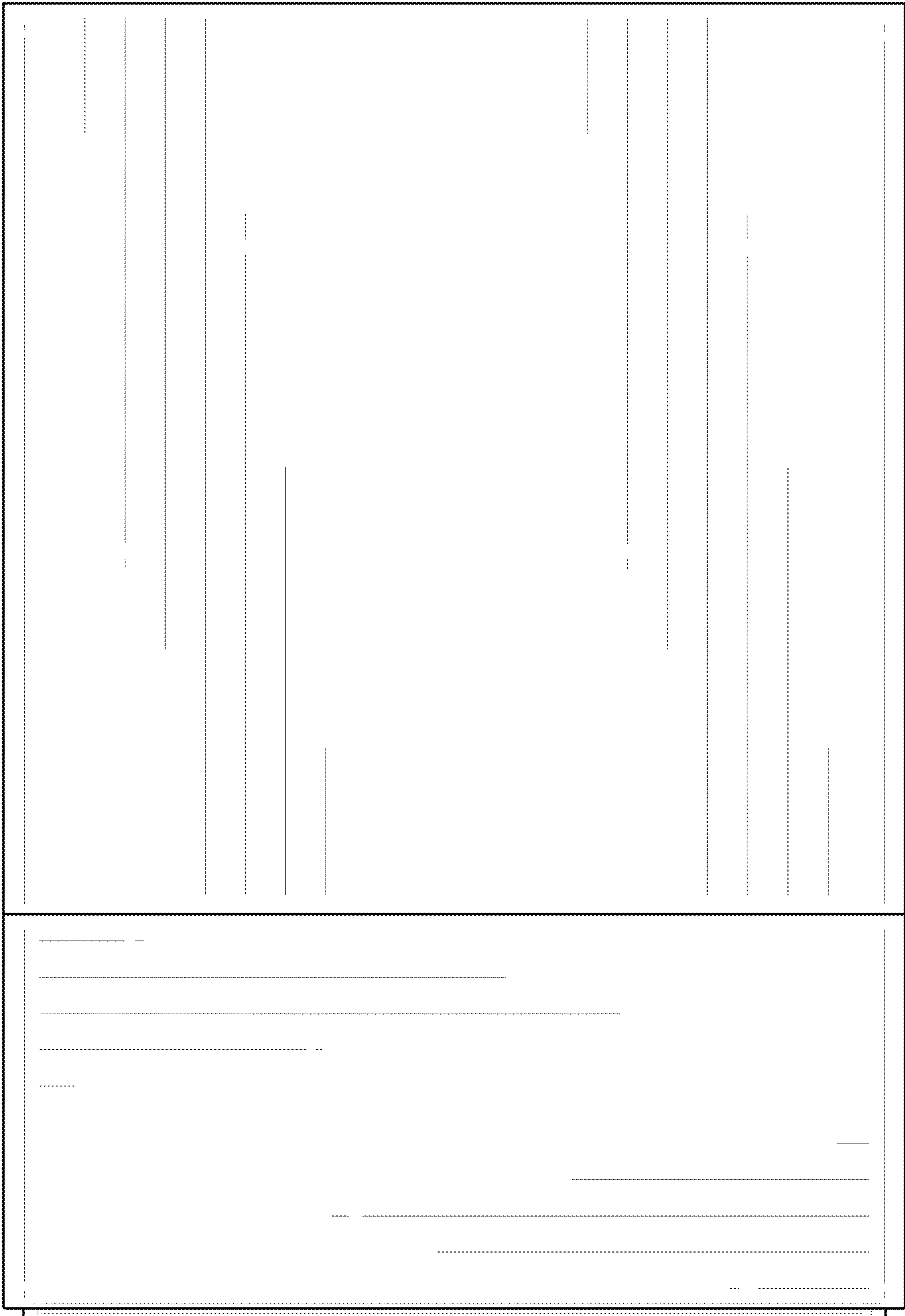


**FIG. 5**

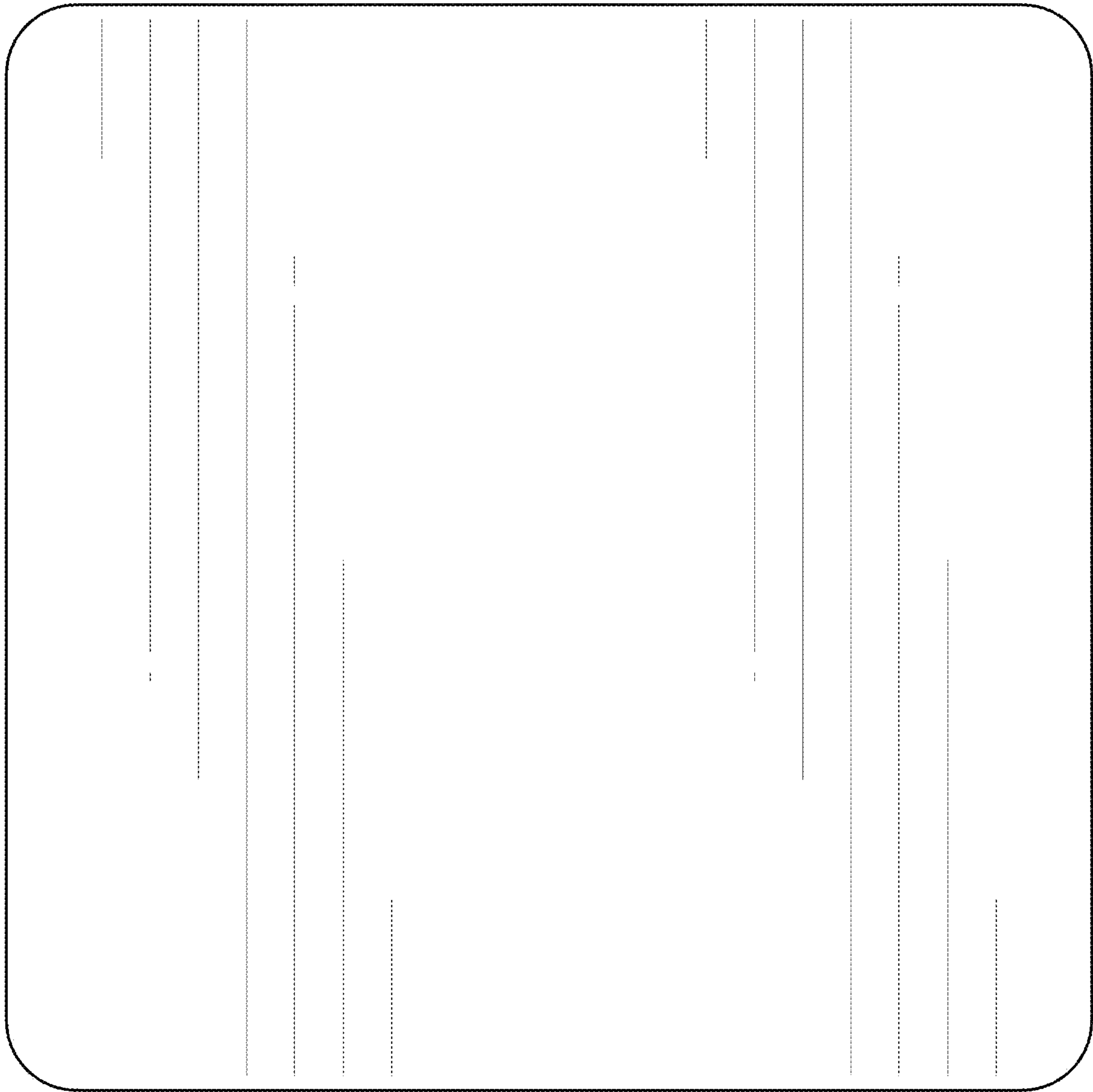


**FIG. 6**

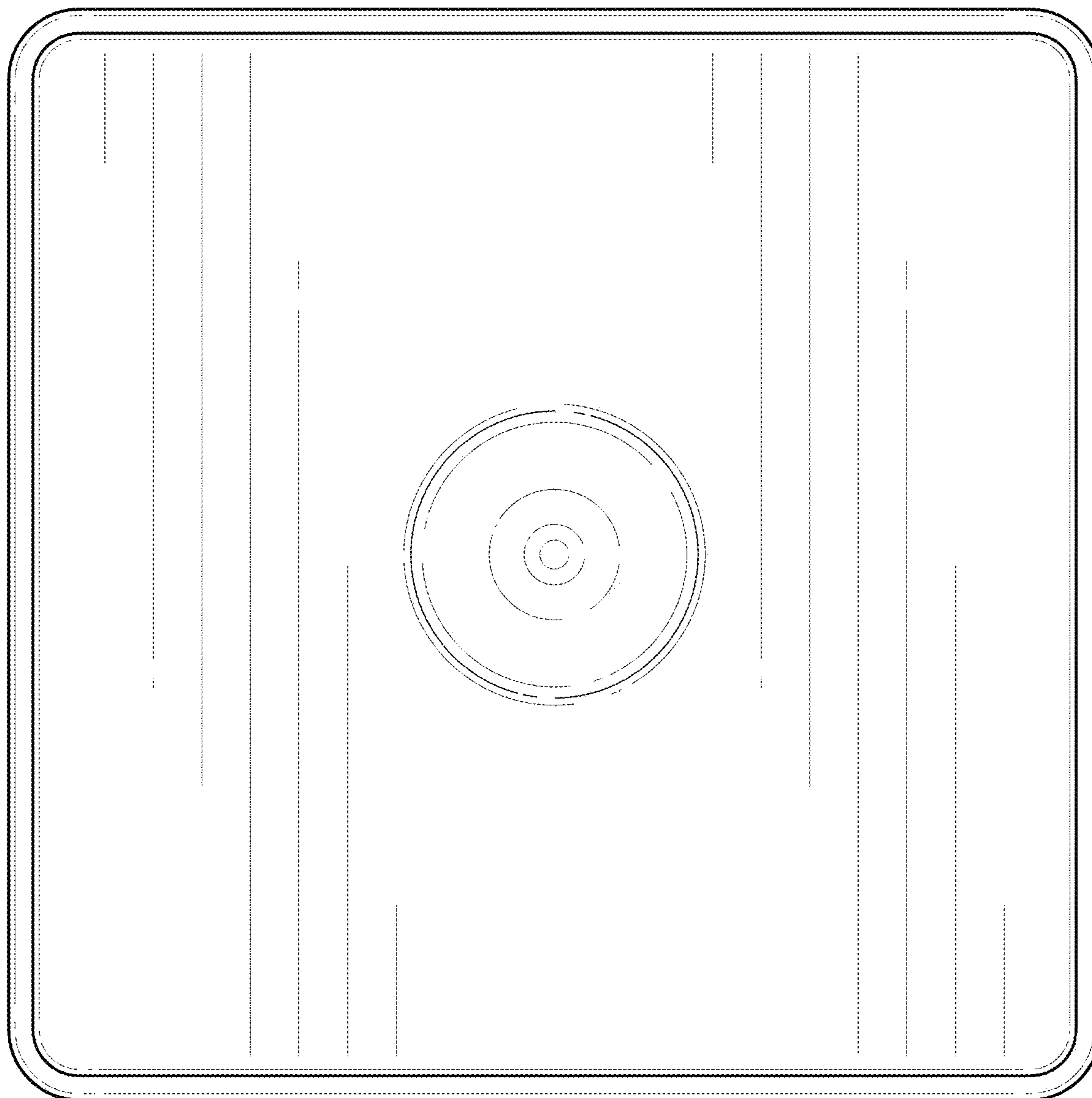




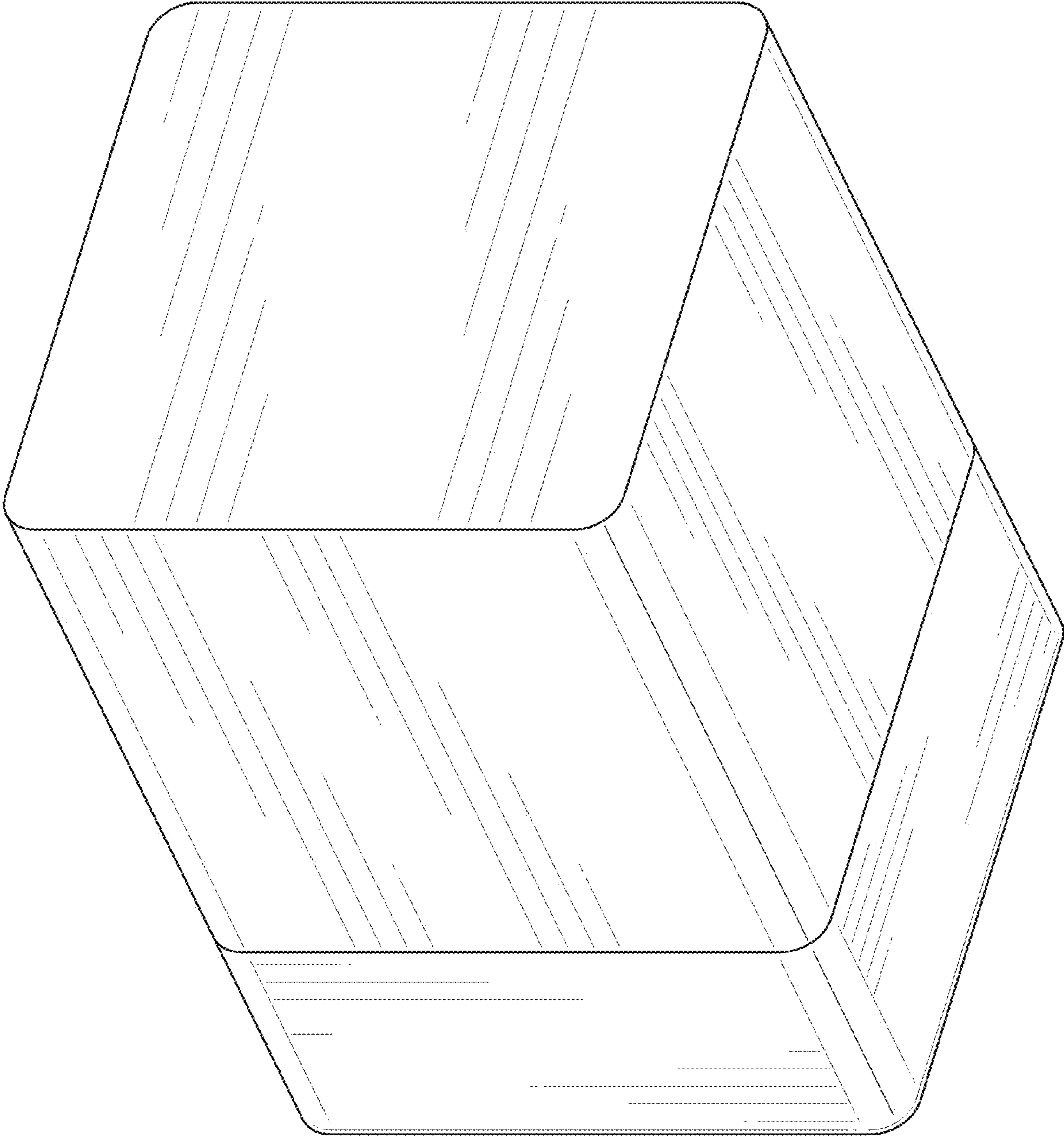
**FIG. 7**



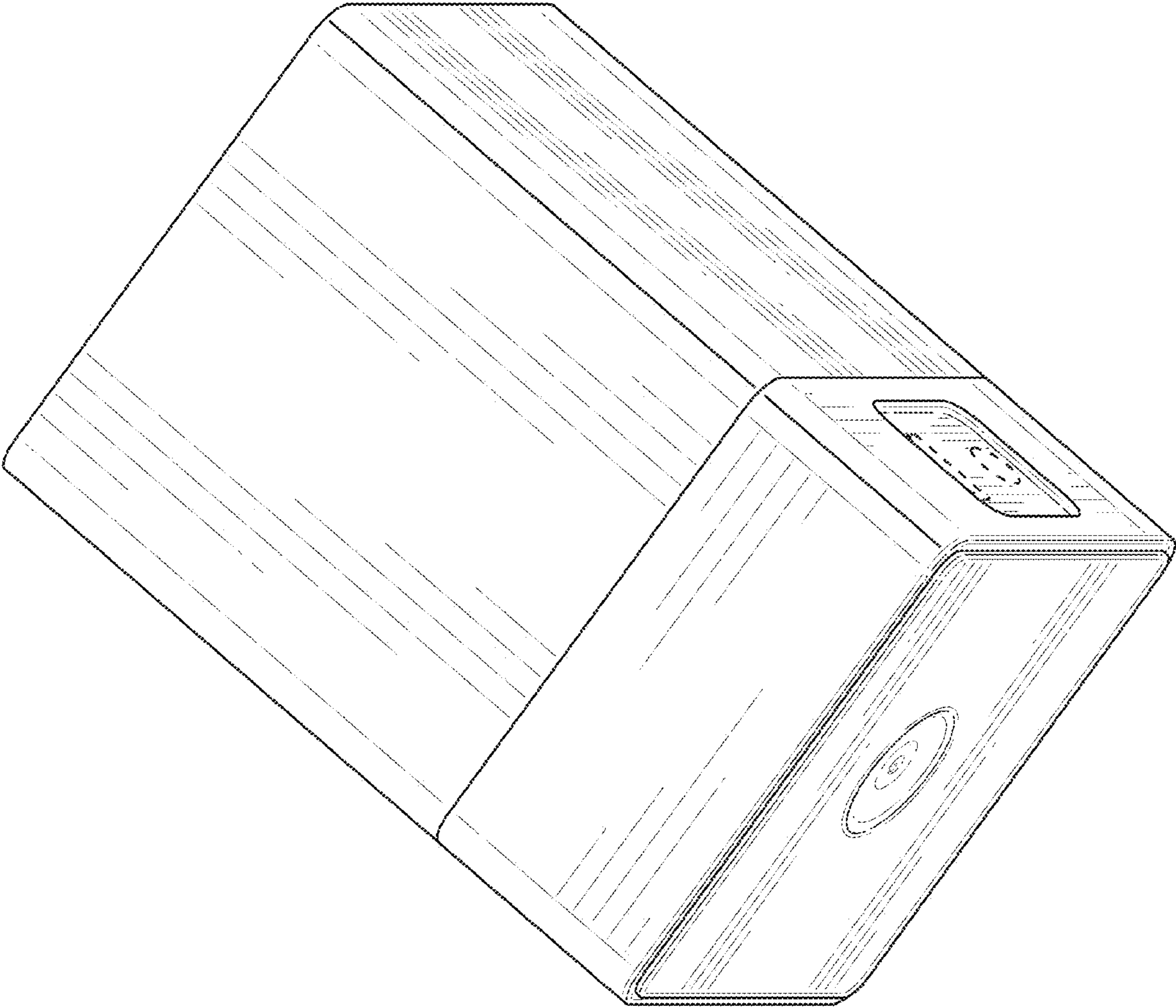
**FIG. 8**



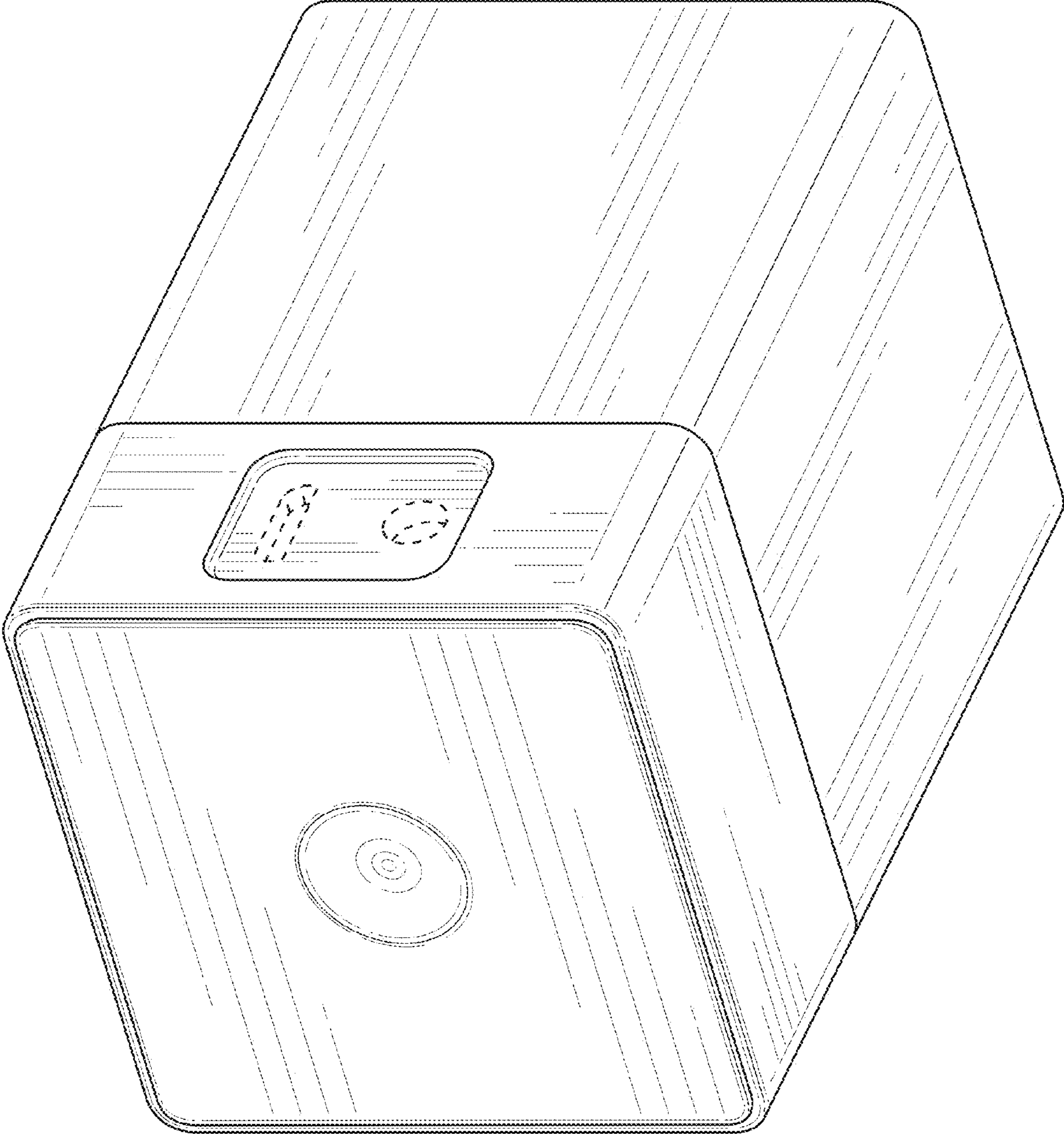
**FIG. 9**



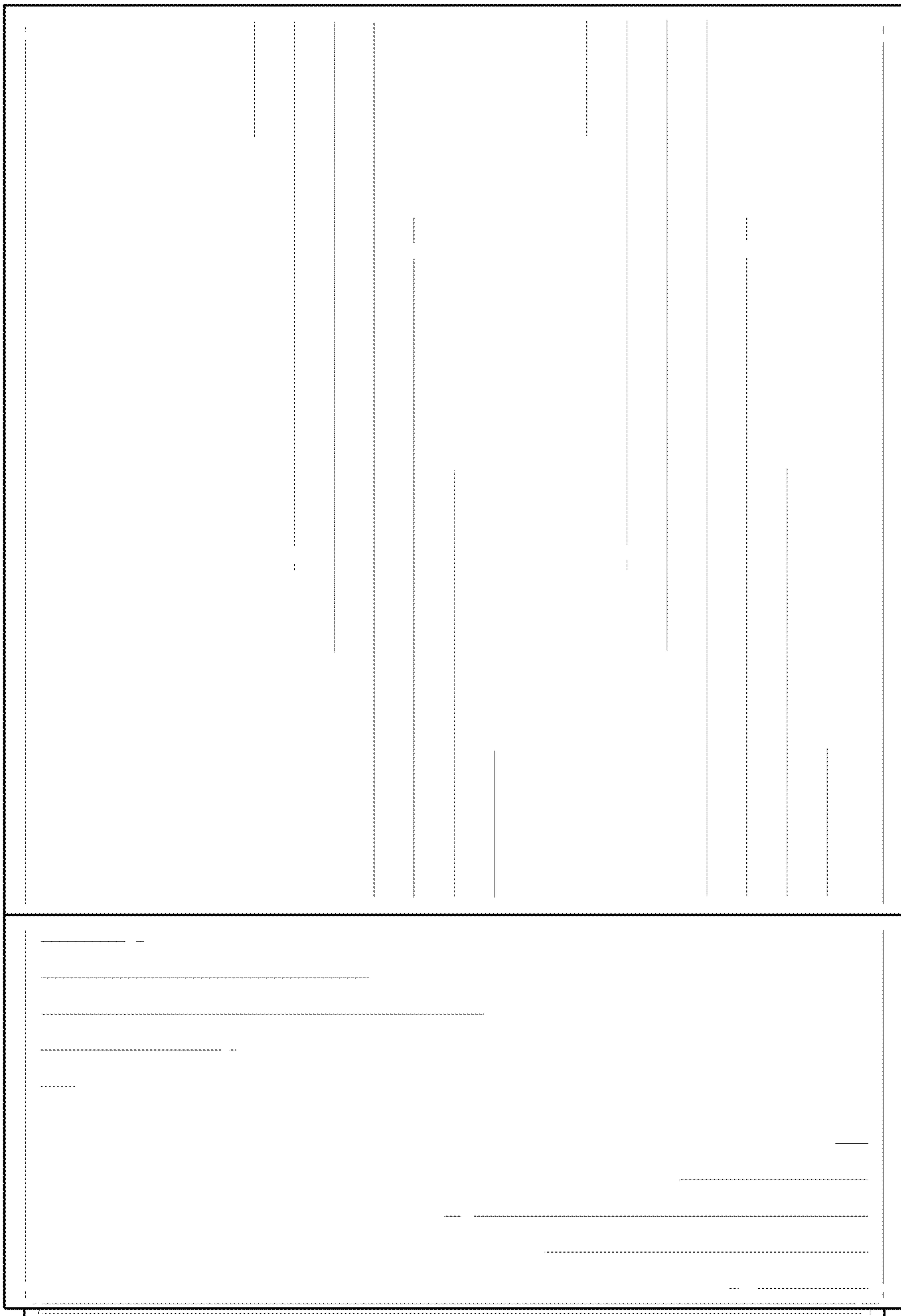
**FIG. 10**



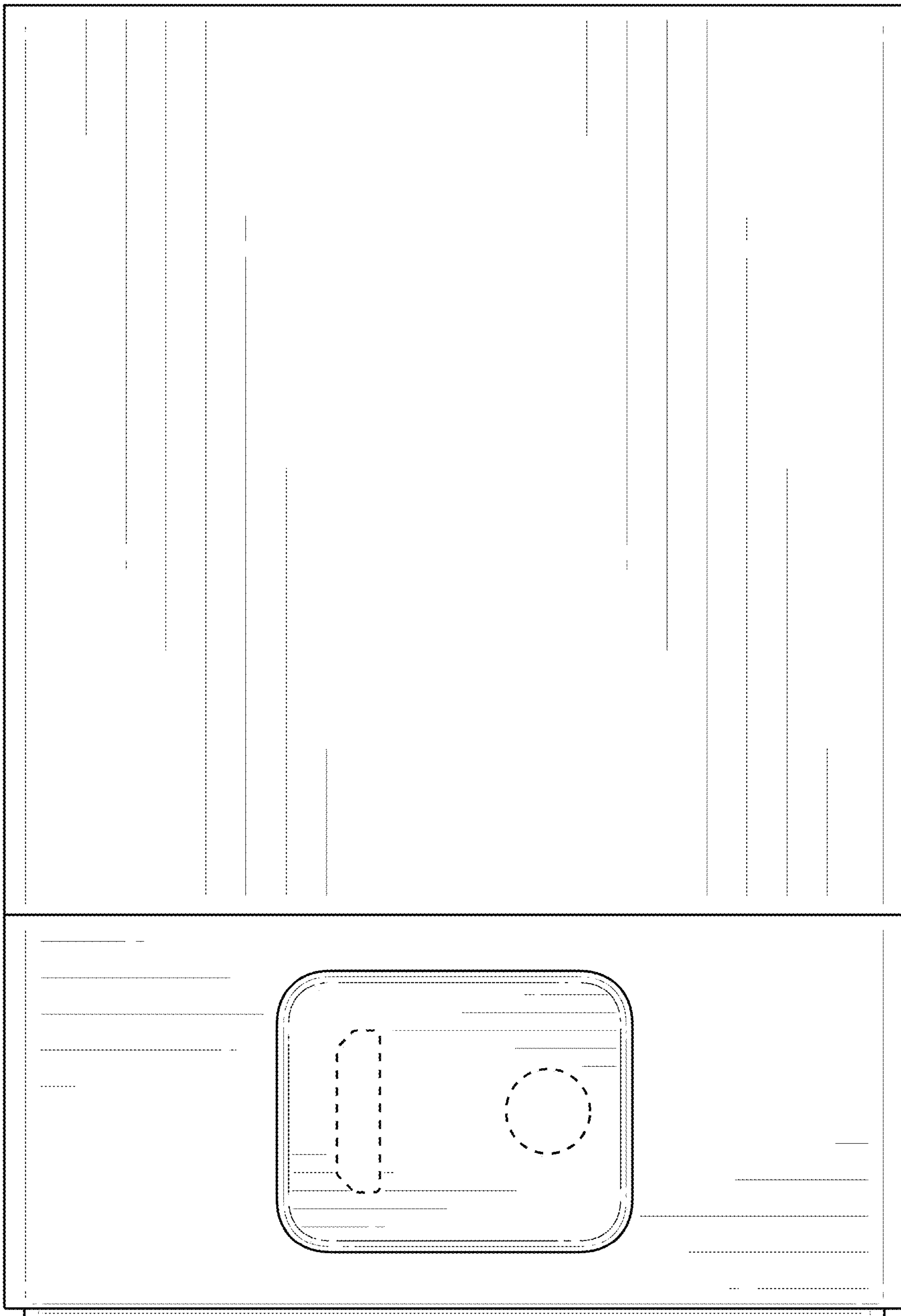
**FIG. 11**



**FIG. 12**

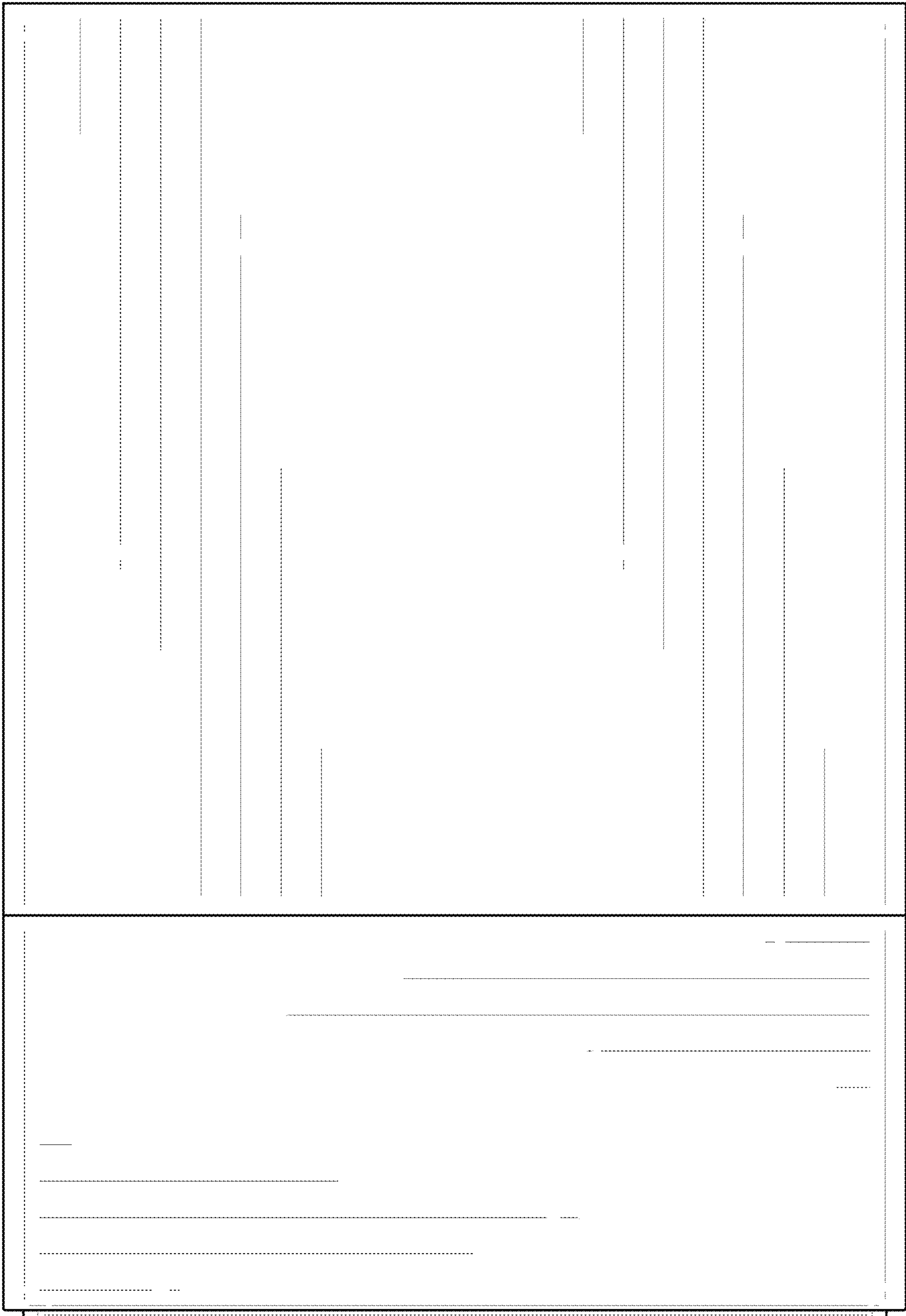


**FIG. 13**

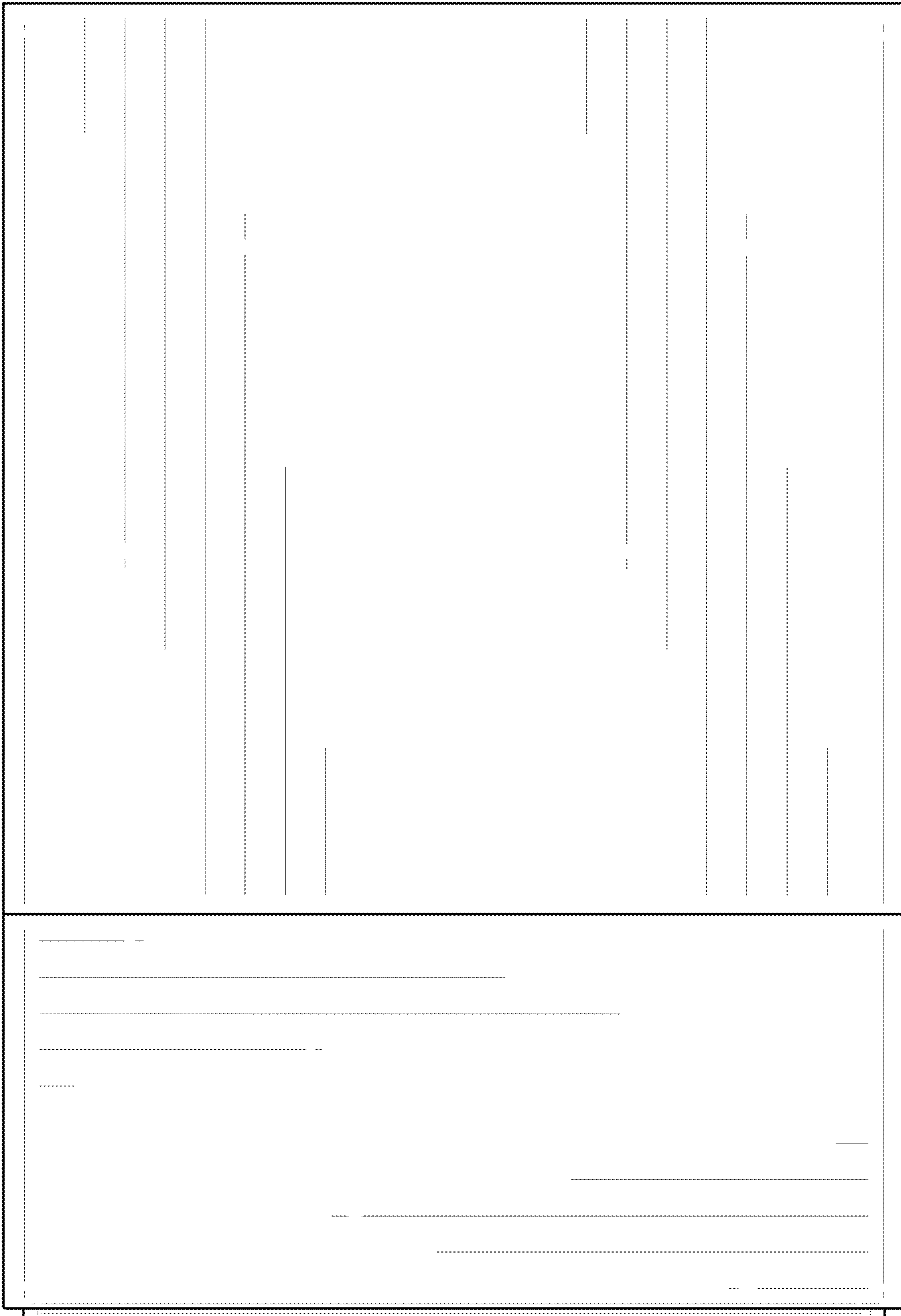


**FIG. 14**

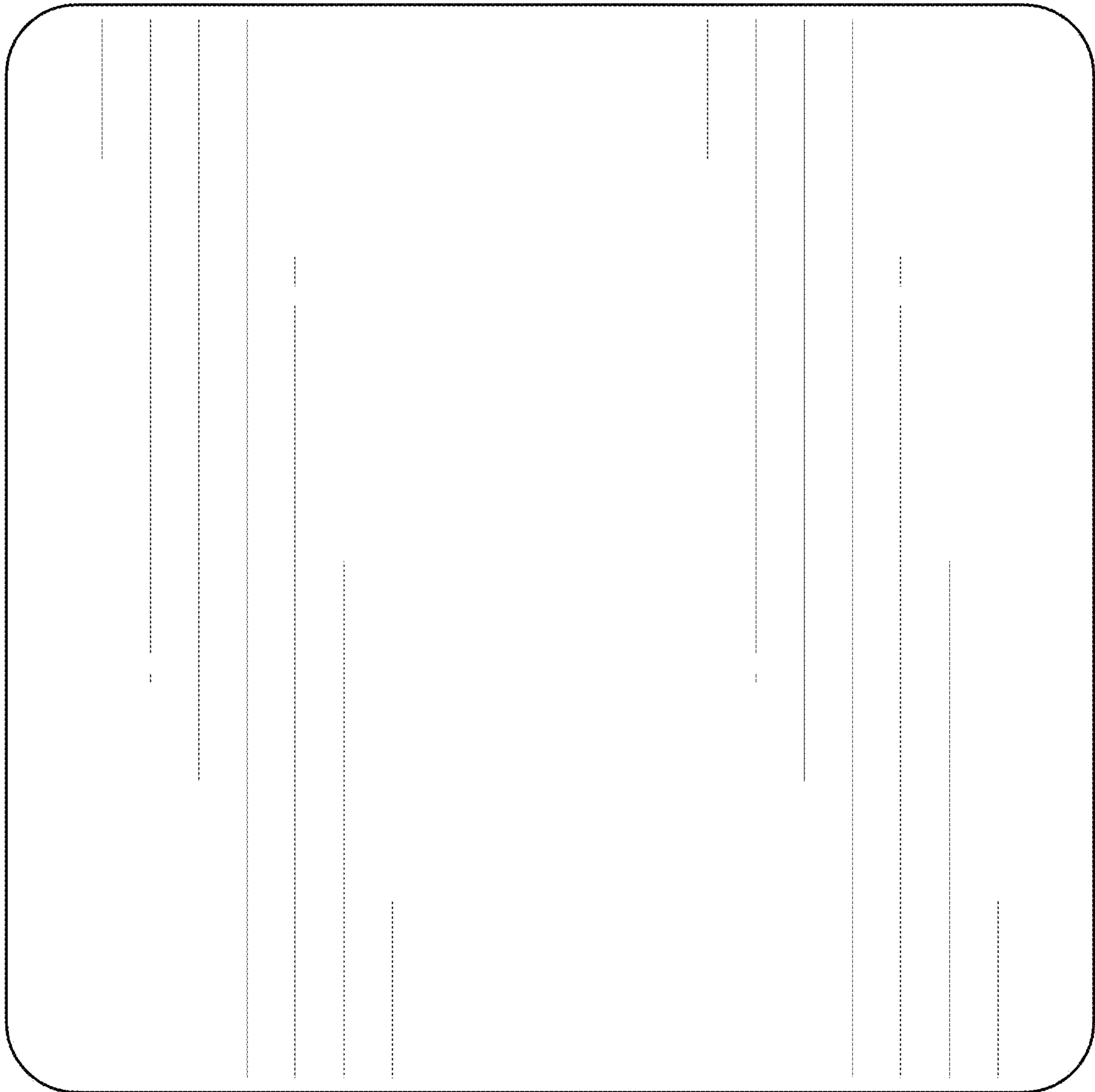




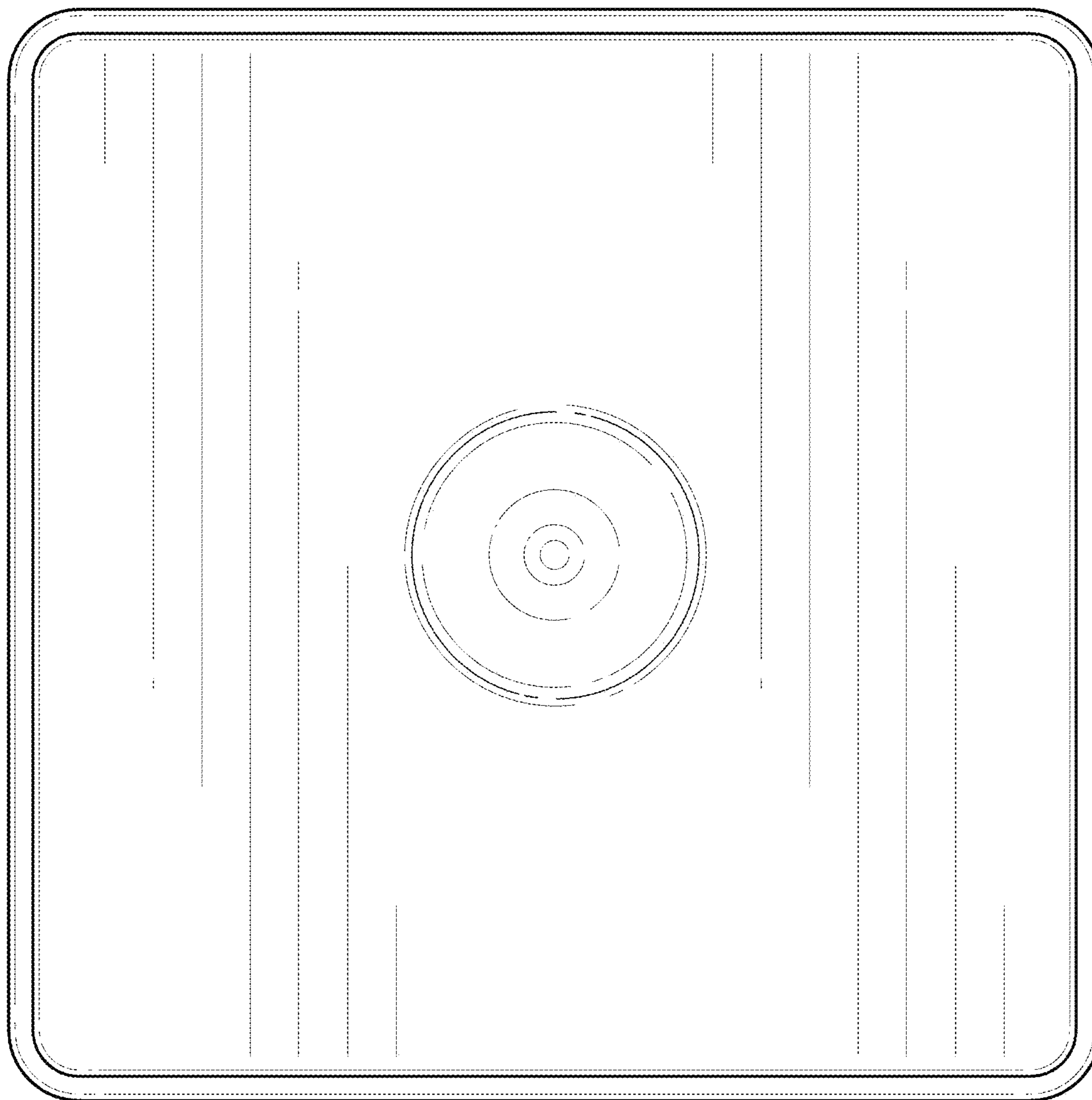
**FIG. 15**



**FIG. 16**



**FIG. 17**



**FIG. 18**