



US00D889446S

(12) **United States Design Patent**
Park

(10) **Patent No.:** **US D889,446 S**

(45) **Date of Patent:** **** Jul. 7, 2020**

- (54) **WIRELESS ANTENNA**
- (71) Applicant: **GS Instech Co., Ltd.**, Incheon (KR)
- (72) Inventor: **Duck-Young Park**, Incheon (KR)
- (73) Assignee: **GS INSTECH CO., LTD.**, Incheon (KR)
- (**) Term: **15 Years**
- (21) Appl. No.: **29/683,996**
- (22) Filed: **Mar. 18, 2019**
- (51) **LOC (12) Cl.** **14-03**
- (52) **U.S. Cl.**
USPC **D14/230**
- (58) **Field of Classification Search**
USPC D14/138, 230-238, 299, 358; D12/42, D12/43
CPC H01Q 7/00; H01Q 13/10; H01Q 9/285; H01Q 19/30; H01Q 19/12; H01Q 1/38; H01Q 1/36; H01Q 2/0027; H01Q 1/48; H01Q 9/045; H01Q 1/243; H04B 1/0475; H04B 1/034; H05K 11/00
See application file for complete search history.

D715,780 S *	10/2014	Forster	D14/230
D776,093 S *	1/2017	Forster	D14/230
D780,722 S *	3/2017	Forster	D14/230
D800,098 S *	10/2017	Lai	D14/230
D800,099 S *	10/2017	Lai	D14/230
D800,704 S *	10/2017	Lai	D14/230
D801,318 S *	10/2017	Manivannan	D14/230
D836,616 S *	12/2018	Escaro	D14/230
D858,492 S *	9/2019	Man	D14/230
D864,175 S *	10/2019	Wang	D14/230
D874,447 S *	2/2020	Howard	D14/230
2008/0106379 A1 *	5/2008	Haddock	G06K 19/14 340/10.1
2010/0134292 A1 *	6/2010	Deavours	H01Q 1/38 340/572.7
2012/0092027 A1 *	4/2012	Forster	G05D 22/02 324/658

* cited by examiner

Primary Examiner — John Windmuller

(74) *Attorney, Agent, or Firm* — IPLA P.A.; James E. Bame

(57) **CLAIM**

The ornamental design for a wireless antenna, as shown and described.

DESCRIPTION

FIG. 1 is a perspective view a wireless antenna showing my new design; and, FIG. 2 is a top plan view thereof. The broken lines in FIGS. 1-2 are for illustrative purposes only and forms no part of the claimed design.

1 Claim, 1 Drawing Sheet

- (56) **References Cited**
U.S. PATENT DOCUMENTS
D535,647 S * 1/2007 Hall D14/230
D709,052 S * 7/2014 Forster D14/230
D710,338 S * 8/2014 Forster D14/230
D713,827 S * 9/2014 Forster D14/230

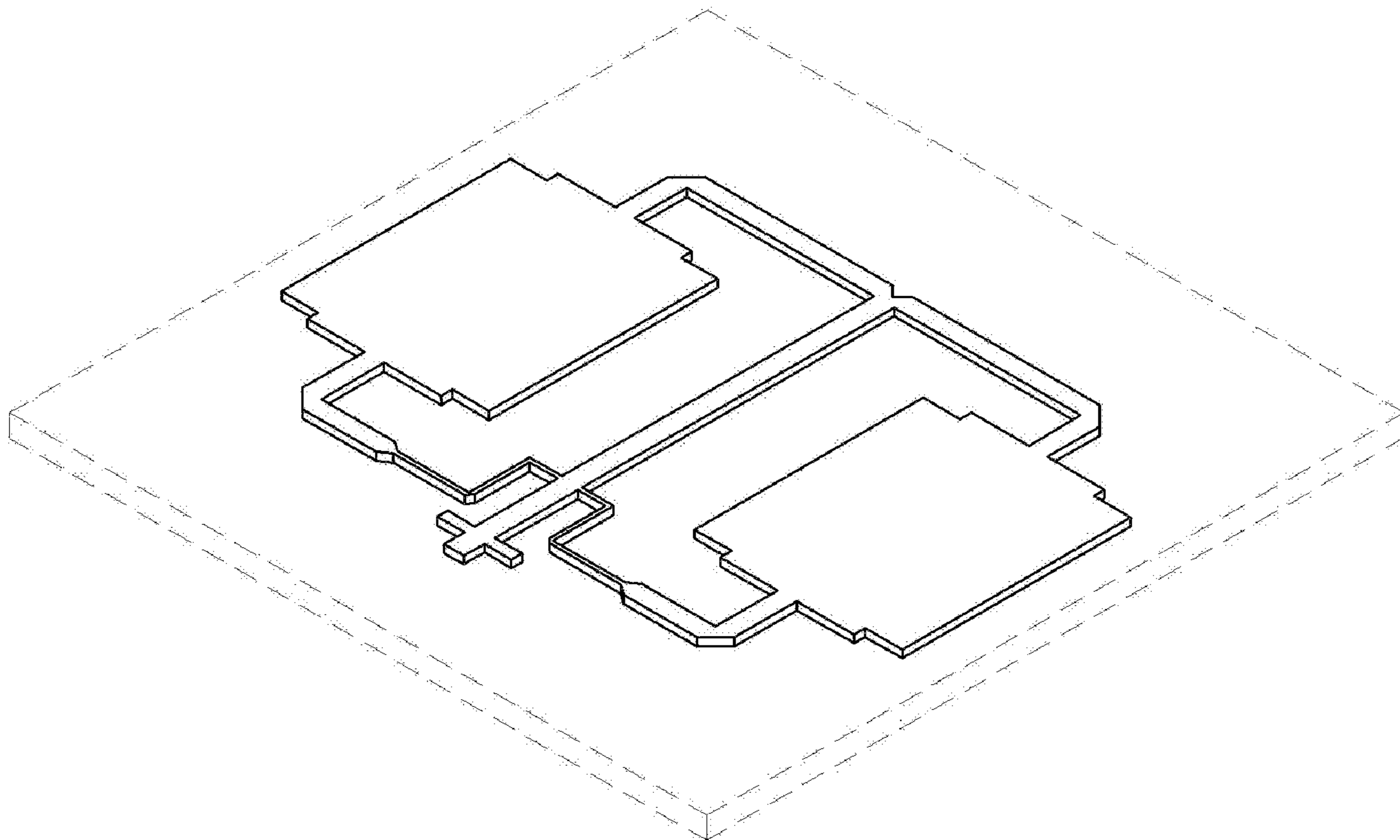


FIG. 1

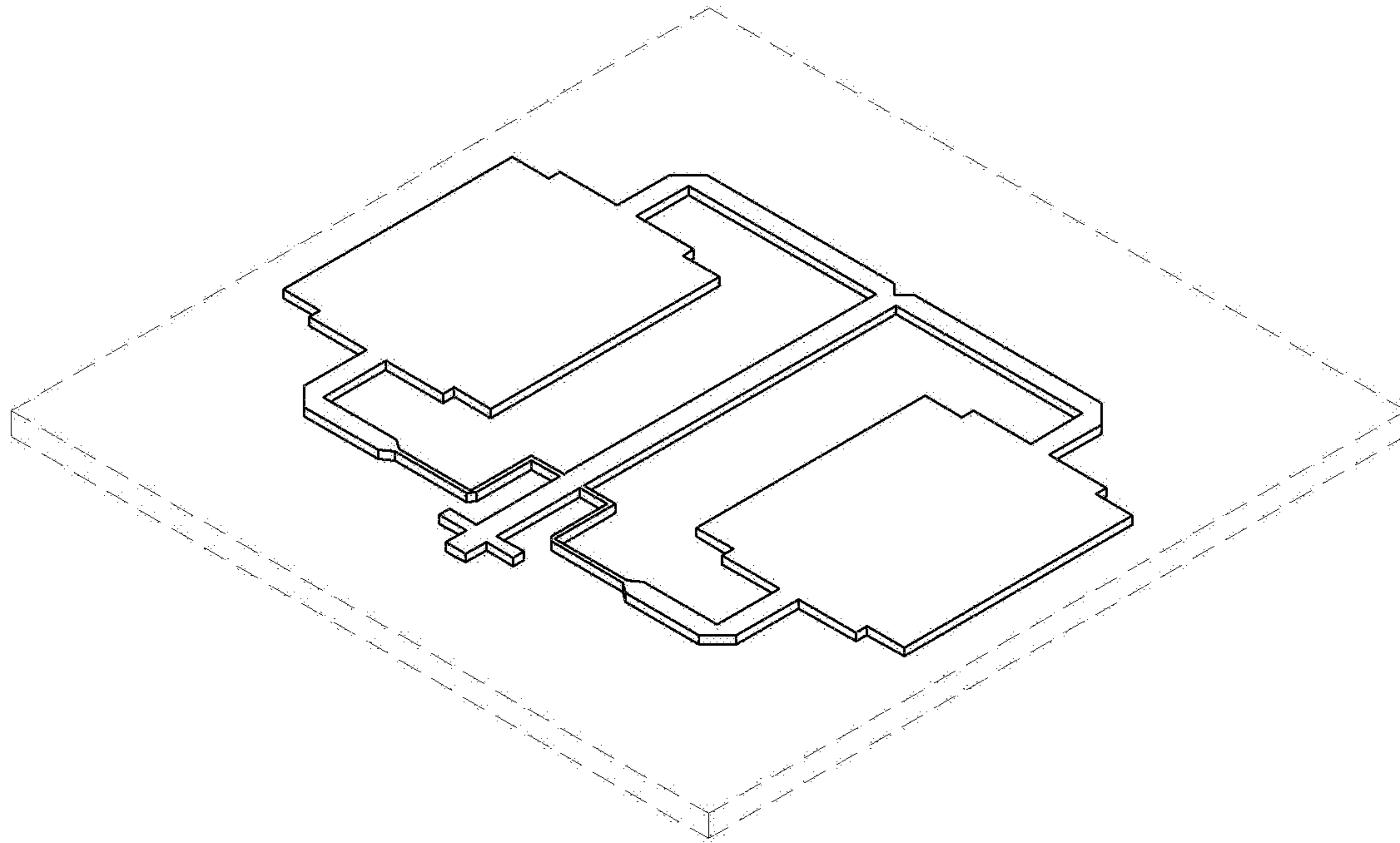


FIG. 2

