



US00D889444S

(12) **United States Design Patent** (10) **Patent No.:** **US D889,444 S**  
**Sakamoto et al.** (45) **Date of Patent:** **\*\* Jul. 7, 2020**

(54) **ANTENNA ELEMENT**  
(71) Applicant: **Mitsubishi Electric Corporation,**  
Tokyo (JP)  
(72) Inventors: **Hiroaki Sakamoto,** Tokyo (JP);  
**Takashi Yanagi,** Tokyo (JP); **Naoya**  
**Noguchi,** Tokyo (JP); **Ryuya Seki,**  
Tokyo (JP)  
(73) Assignee: **Mitsubishi Electric Corporation,**  
Tokyo (JP)  
(\*\*) Term: **15 Years**  
(21) Appl. No.: **29/677,779**  
(22) Filed: **Jan. 23, 2019**

(30) **Foreign Application Priority Data**  
Jul. 31, 2018 (JP) ..... 2018-016682  
(51) **LOC (12) Cl.** ..... **14-03**  
(52) **U.S. Cl.**  
USPC ..... **D14/230**  
(58) **Field of Classification Search**  
USPC ..... D14/138, 230-238, 299, 358; D12/42,  
D12/43  
CPC ..... H01Q 7/00; H01Q 13/10; H01Q 9/285;  
H01Q 19/30; H01Q 19/12; H01Q 1/38;  
H01Q 1/36; H04B 1/0475; H04B 1/034;  
H05K 11/00  
See application file for complete search history.

(56) **References Cited**  
U.S. PATENT DOCUMENTS  
D156,379 S \* 12/1949 Spirt ..... D14/235  
D260,895 S \* 9/1981 Luedtke ..... D14/233  
D275,673 S \* 9/1984 Iino ..... D14/230

D310,671 S \* 9/1990 Weiss ..... D14/230  
D361,767 S \* 8/1995 Tinaphong ..... D14/230  
D426,827 S \* 6/2000 Tsai Wang ..... D14/230  
D467,242 S \* 12/2002 Warner ..... D14/230  
D548,730 S \* 8/2007 Inoue ..... D14/230  
D611,460 S \* 3/2010 Chao ..... D14/230  
D654,910 S \* 2/2012 Thomson ..... D14/230  
D713,392 S \* 9/2014 Podduturi ..... D14/230  
D750,602 S \* 3/2016 Yang ..... D14/230  
D790,514 S \* 6/2017 Woodward ..... D10/65  
D801,316 S \* 10/2017 Weber ..... D14/230  
D802,569 S \* 11/2017 Zheng ..... D14/230  
D807,863 S \* 1/2018 Ploetz ..... D14/230  
D829,696 S \* 10/2018 Wallace ..... D14/233  
10,483,640 B1 \* 11/2019 Issa ..... H01Q 5/392  
D869,450 S \* 12/2019 Yang ..... D14/230  
2015/0255874 A1 \* 9/2015 Hung ..... H01Q 9/40  
343/86  
2018/0356086 A1 \* 12/2018 Maxik ..... F21S 8/026

\* cited by examiner

*Primary Examiner* — John Windmuller  
(74) *Attorney, Agent, or Firm* — Studebaker & Brackett  
PC

(57) **CLAIM**  
The ornamental design for an antenna element, as shown and described.

**DESCRIPTION**  
FIG. 1 is a front, top, and right side perspective view of an antenna element showing our new design;  
FIG. 2 is a front view thereof;  
FIG. 3 is a rear view thereof;  
FIG. 4 is a left side view thereof;  
FIG. 5 is a right side view thereof;  
FIG. 6 is a top view thereof; and,  
FIG. 7 is a bottom view thereof.  
The parts shown in the broken lines do not form part of the claimed designs.

**1 Claim, 7 Drawing Sheets**

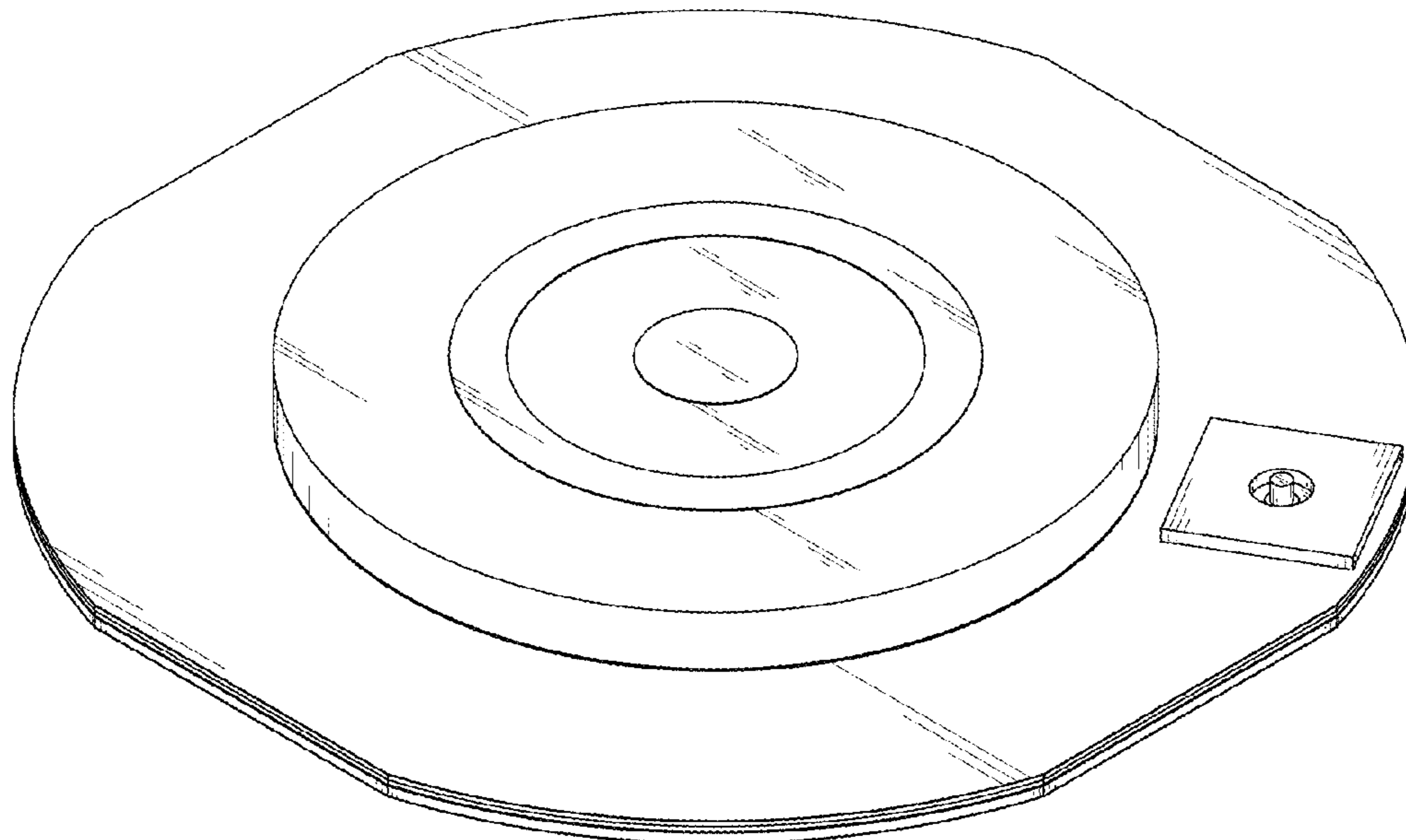


Fig.1

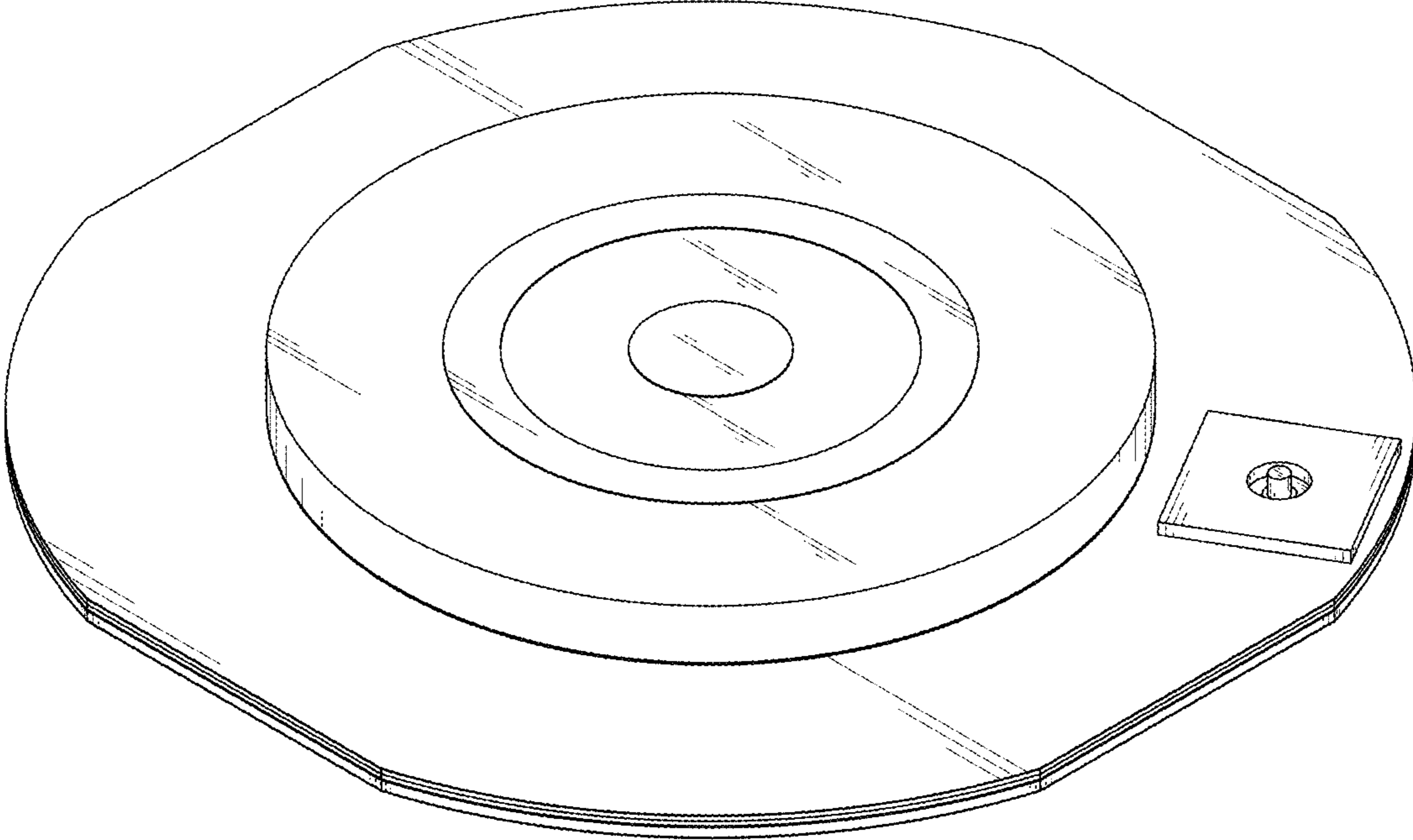


Fig.2

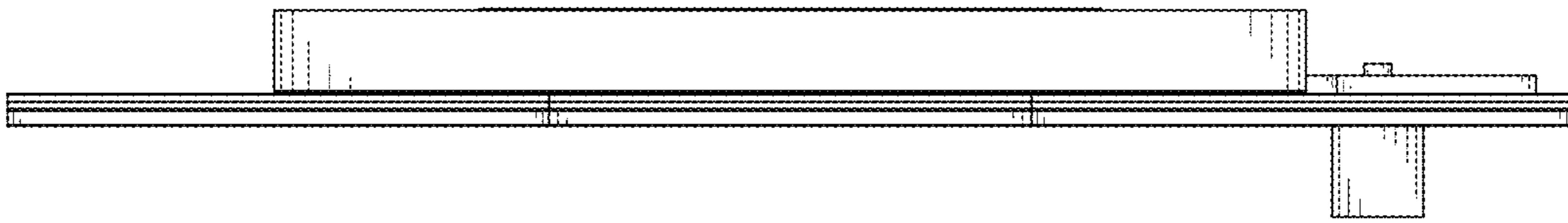


Fig.3

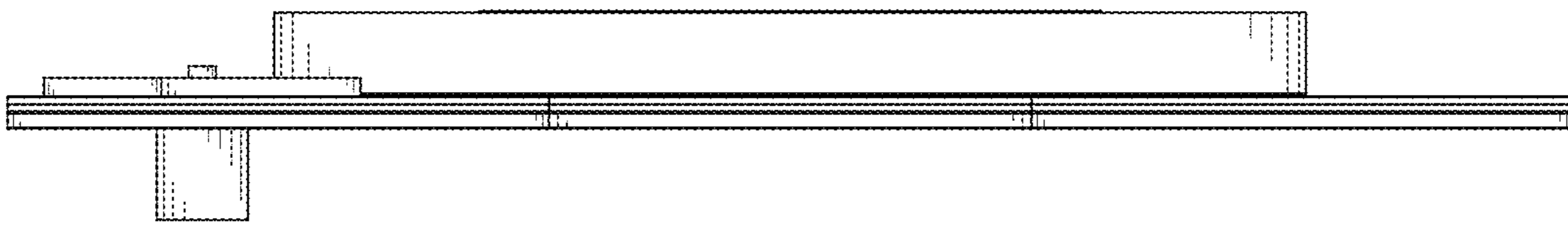


Fig.4

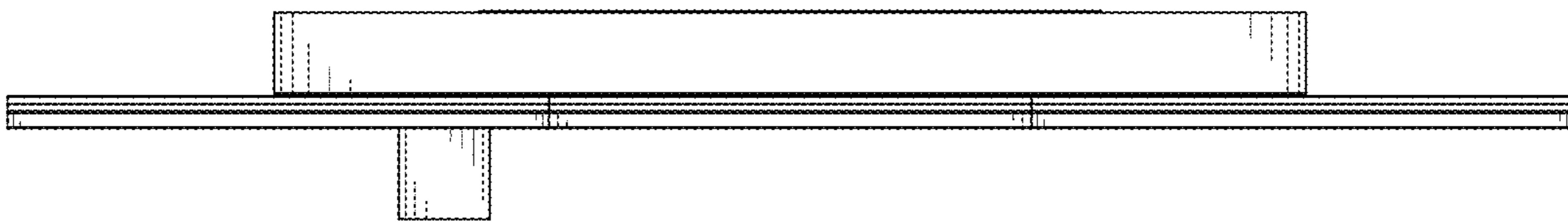


Fig.5

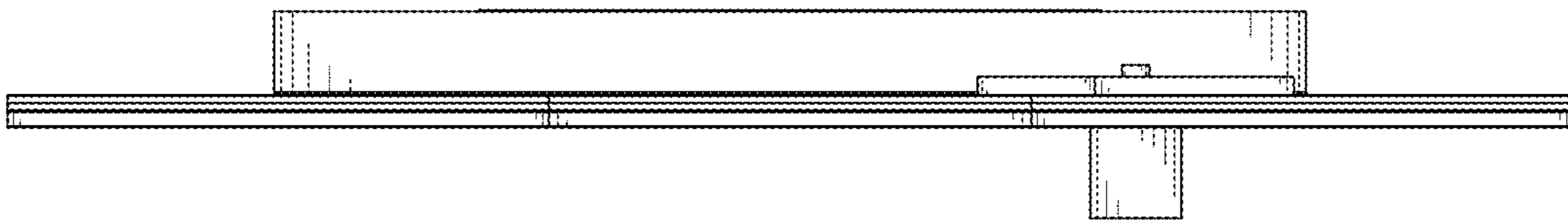


Fig.6

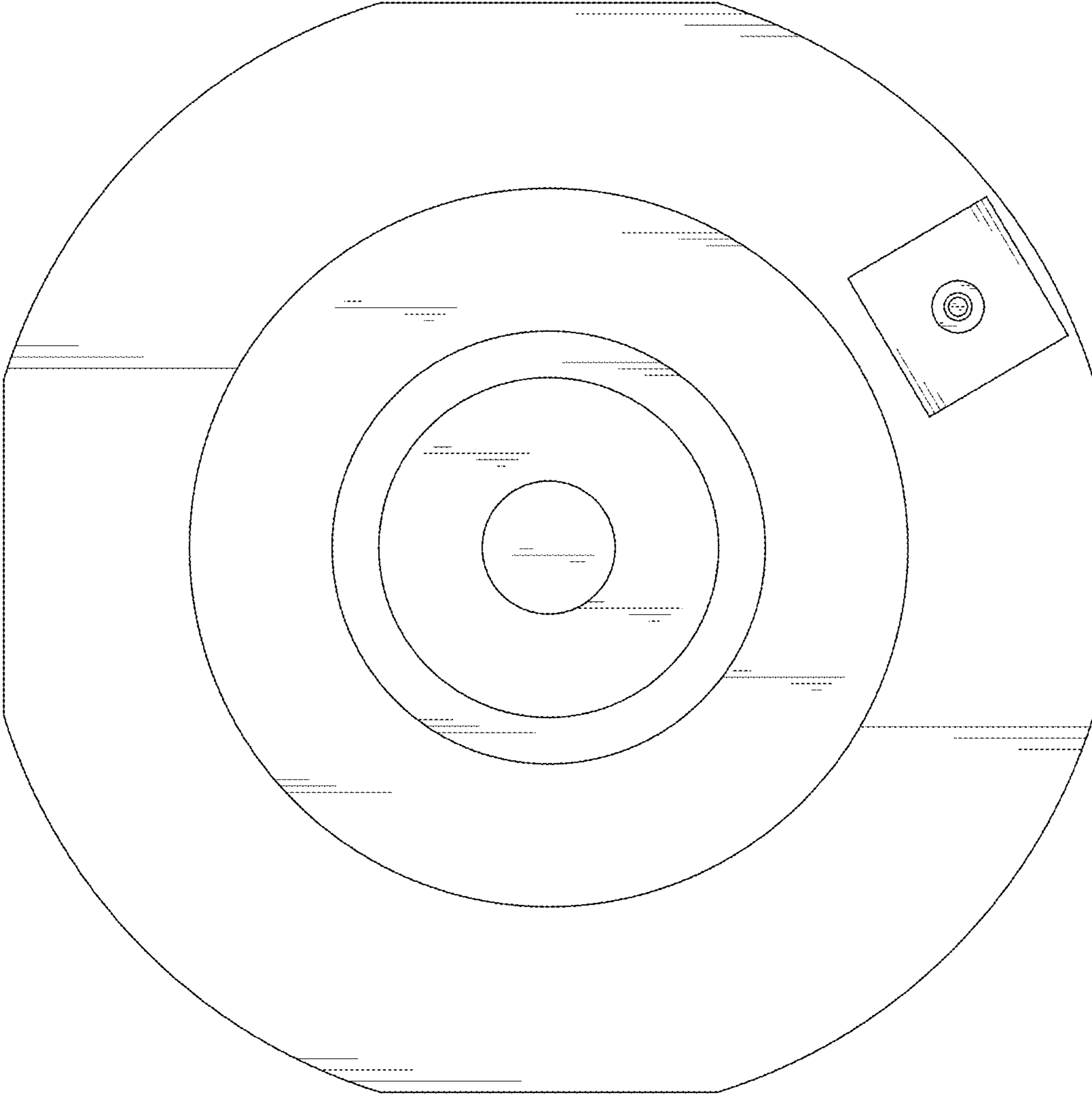


Fig.7

