



US00D889443S

(12) **United States Design Patent**
Renwick

(10) **Patent No.:** **US D889,443 S**
(45) **Date of Patent:** **** Jul. 7, 2020**

(54) **MICROPHONE APPARATUS**

(71) Applicant: **Logitech Europe S.A.**, Lausanne (CH)
(72) Inventor: **James Edward Renwick**, Portland, OR (US)
(73) Assignee: **LOGITECH EUROPE S.A.**, Lausanne (CH)
(**) Term: **15 Years**

(21) Appl. No.: **29/675,231**

(22) Filed: **Dec. 28, 2018**

(51) **LOC (12) Cl.** **14-01**

(52) **U.S. Cl.**

USPC **D14/229**

(58) **Field of Classification Search**

USPC D14/229, 225, 228, 432; D17/99; D8/394, 373, 382, 395; D6/682, 552, D6/392; 181/242; 379/451, 431, 433, 379/438, 424; 381/363, 359, 368, 361, 381/412, 386, 169, 168, 189, 355, 362; 84/421; 248/604, 634, 312.1, 311.2, 248/231.81, 301, 314; 455/90.3, 575.1, 455/569.1; 211/89.01, 69.8
CPC H04R 25/00; H04R 9/08; H04R 11/04; H04R 17/02; H04R 19/04; H04R 1/02; H04R 9/04; F16M 13/02; G10D 9/00; G10D 13/02; H04M 1/04; A47F 5/00; B65D 25/00

See application file for complete search history.

(56) **References Cited**

U.S. PATENT DOCUMENTS

1,682,409 A * 8/1928 Nyman H04R 1/08 381/352
1,805,362 A * 5/1931 Ellis H04R 1/08 381/368
2,017,122 A * 10/1935 Hanson H04R 1/342 381/160

(Continued)

FOREIGN PATENT DOCUMENTS

EM 006594065-0001 * 6/2019

Primary Examiner — Paula Allen Greene

(74) *Attorney, Agent, or Firm* — Patterson & Sheridan, LLP

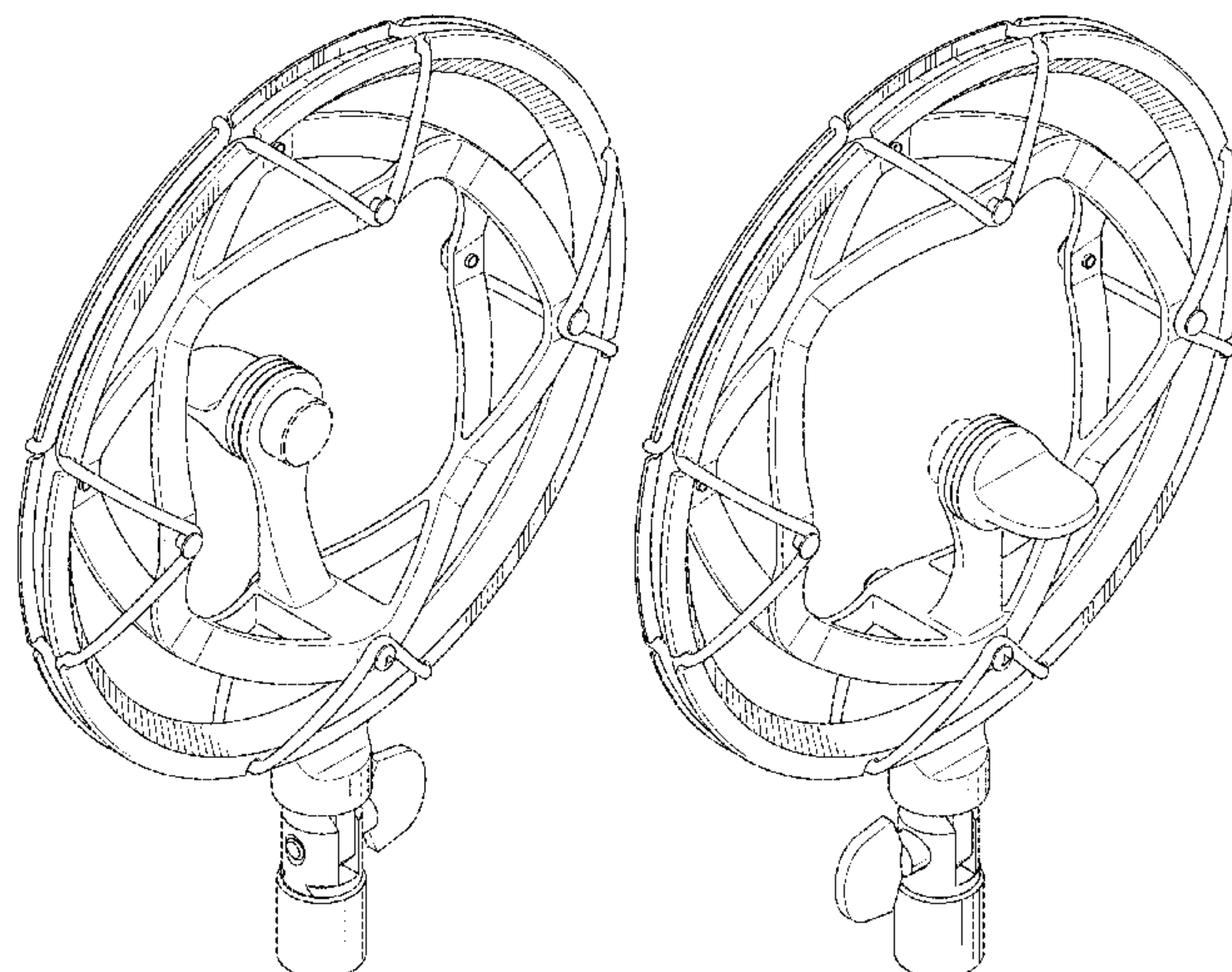
(57) **CLAIM**

The ornamental design of a microphone apparatus, as shown and described.

DESCRIPTION

FIG. 1 is a top front right side perspective view of a microphone apparatus according to our design; FIG. 2 is a top rear left side perspective view of the microphone apparatus shown in FIG. 1; FIG. 3 is a bottom front left side perspective view of the microphone apparatus shown in FIG. 1; FIG. 4 is a bottom rear right side perspective view of the microphone apparatus shown in FIG. 1; FIG. 5 is a front side view of the microphone apparatus shown in FIG. 1; FIG. 6 is a left side view of the microphone apparatus shown in FIG. 1; and FIG. 7 is a rear side view of the microphone apparatus shown in FIG. 1; and FIG. 8 is a right side view of the microphone apparatus shown in FIG. 1; and FIG. 9 is a top view of the microphone apparatus shown in FIG. 1; and FIG. 10 is a bottom view of the microphone apparatus shown in FIG. 1; and FIG. 11 is a sectional view of the microphone apparatus taken along line 11-11 of FIG. 8. The dashed lines shown in the various figures are provided for the purpose of illustrating unclaimed portions of the microphone apparatus, and form no part of the claimed design.

1 Claim, 10 Drawing Sheets



(56)

References Cited

U.S. PATENT DOCUMENTS

D100,928 S * 8/1936 Shure D14/229
 3,592,422 A * 7/1971 Paine F16F 15/067
 248/589
 3,924,083 A * 12/1975 Hagey H04R 1/08
 248/596
 4,126,827 A * 11/1978 Negrini H04R 1/08
 200/61.54
 4,194,096 A * 3/1980 Ramsey H04R 1/08
 381/363
 4,396,807 A * 8/1983 Brewer H04R 1/08
 248/604
 4,514,598 A * 4/1985 Plice H04R 1/08
 248/104
 D296,099 S * 6/1988 Kubota D14/227
 4,760,984 A * 8/1988 Hennessey F16B 21/16
 248/121
 D302,158 S * 7/1989 Kubota D14/225
 D305,026 S * 12/1989 Wolf D14/229
 4,991,220 A * 2/1991 Wolf H04R 1/08
 381/361
 5,154,381 A * 10/1992 Malinao F16M 11/10
 248/121
 5,444,790 A * 8/1995 Kogen H04R 1/086
 381/189
 5,529,277 A * 6/1996 Ostaszewski F16C 11/12
 248/398
 5,675,660 A * 10/1997 Townsend H04R 1/086
 381/189
 D412,708 S * 8/1999 Okon D14/228
 6,072,887 A * 6/2000 Wei H04R 11/00
 379/433.02
 D430,864 S * 9/2000 Chung D14/228
 D431,554 S * 10/2000 Chung D14/228
 6,219,429 B1 * 4/2001 Chung H04R 1/08
 248/324
 D441,354 S * 5/2001 Jing D14/228
 D448,364 S * 9/2001 Chung D14/228

6,459,802 B1 * 10/2002 Young H04R 1/083
 381/361
 6,487,298 B1 * 11/2002 Hacker H04R 1/08
 181/199
 D475,038 S * 5/2003 Jarodsky D14/228
 D475,039 S * 5/2003 Thornton D14/228
 D475,876 S * 6/2003 Chen D6/545
 D483,028 S * 12/2003 Morrow, Jr. D14/225
 6,671,382 B2 * 12/2003 Chen H01R 35/02
 381/189
 6,682,043 B1 * 1/2004 Hsieh H04R 1/083
 248/618
 6,922,475 B2 * 7/2005 Hsieh H04R 1/08
 381/361
 D540,786 S * 4/2007 Hensen D14/228
 D549,209 S * 8/2007 Bauman D14/155
 D579,928 S * 11/2008 Murata D14/229
 D618,222 S * 6/2010 Kallas D14/229
 8,191,678 B2 * 6/2012 Zou H04R 1/342
 181/284
 8,345,911 B2 * 1/2013 Fulks F16M 11/10
 381/361
 D705,761 S * 5/2014 McGovern, Jr. D14/229
 D706,245 S * 6/2014 McGovern, Jr. D14/229
 D707,662 S * 6/2014 Okita D14/229
 8,783,636 B2 * 7/2014 Okita F16M 11/041
 24/303
 D736,189 S * 8/2015 Cooper D14/229
 D772,205 S * 11/2016 Sunwoo D14/229
 D791,742 S * 7/2017 Lai D14/225
 D823,283 S * 7/2018 Sunwoo D14/229
 D834,568 S * 11/2018 Pooley D14/229
 2003/0035561 A1 * 2/2003 Hsieh H04R 1/08
 381/361
 2007/0195983 A1 * 8/2007 Klemme H04R 9/08
 381/362
 2010/0239113 A1 * 9/2010 Browne H04R 1/08
 381/361
 2013/0062479 A1 * 3/2013 Okita F16M 11/041
 248/176.1

* cited by examiner

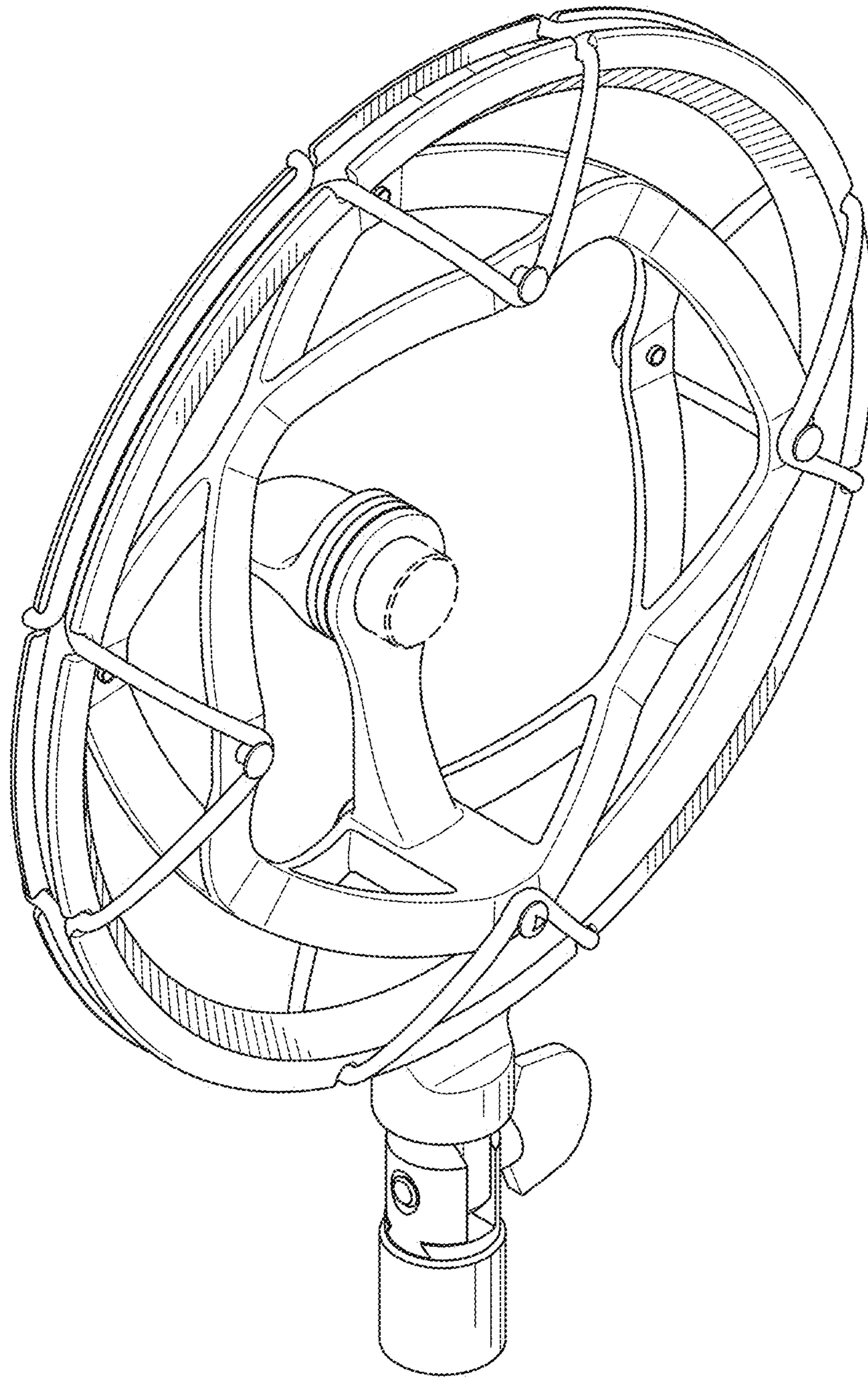


Fig. 1

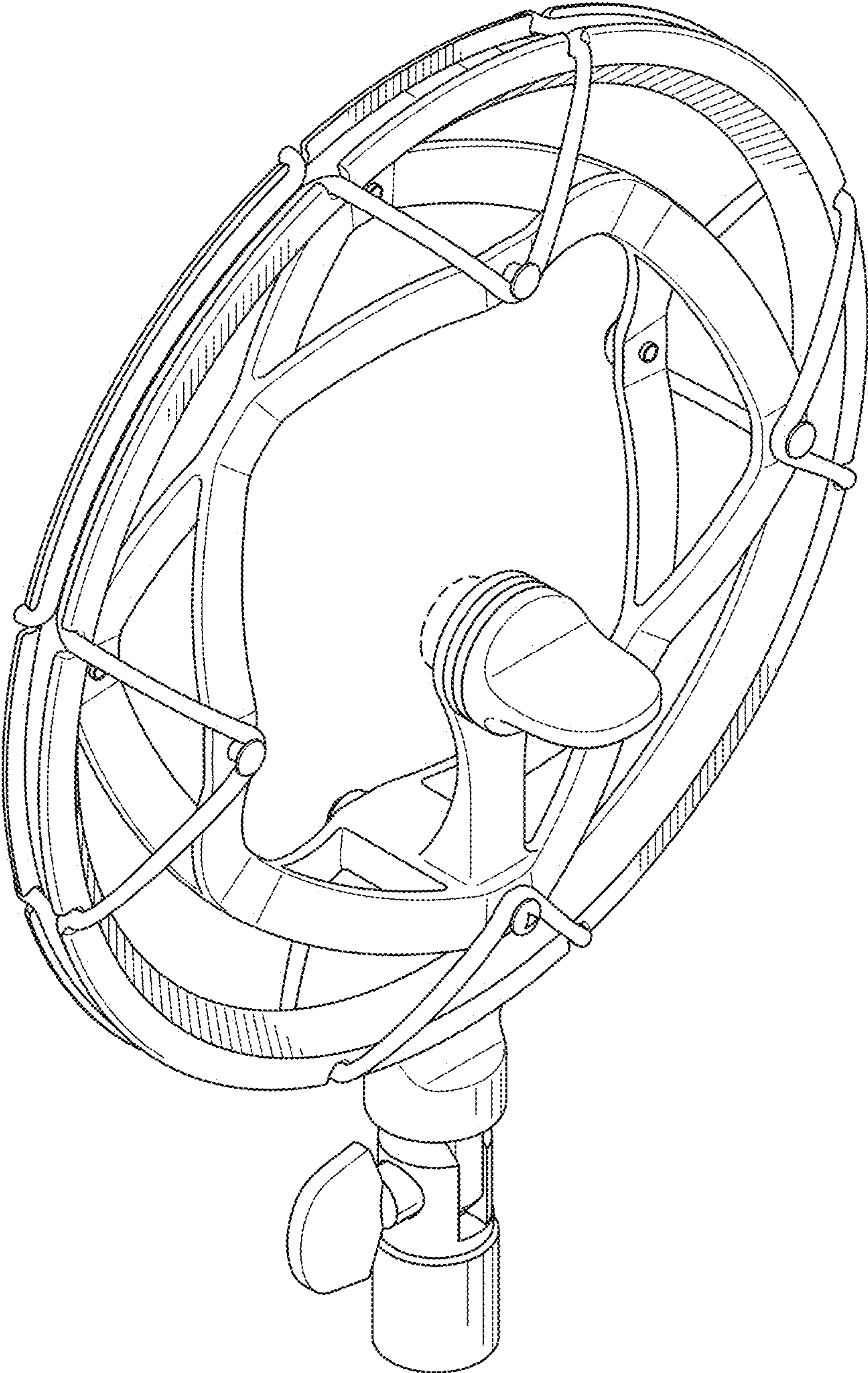


Fig. 2

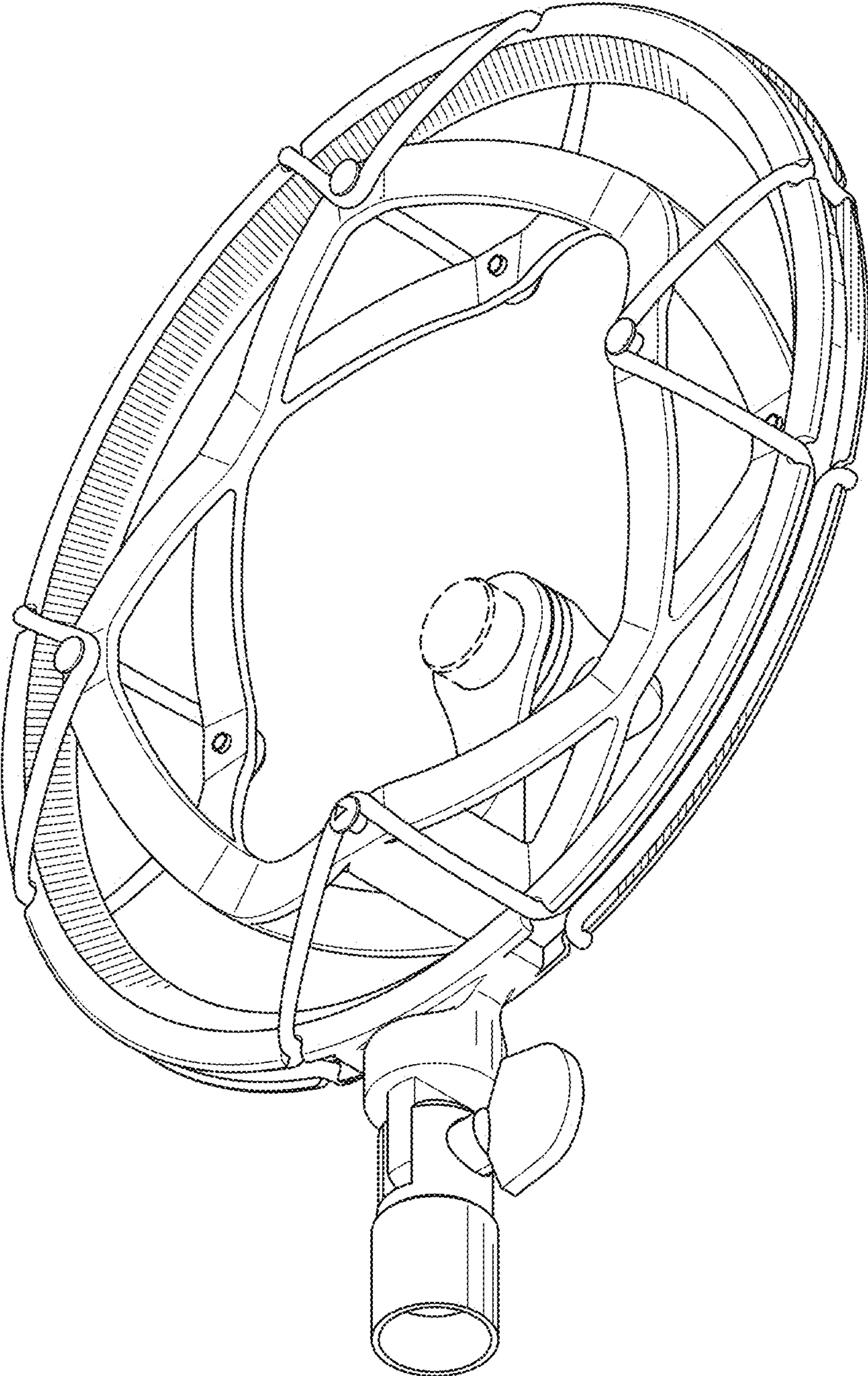


Fig. 3

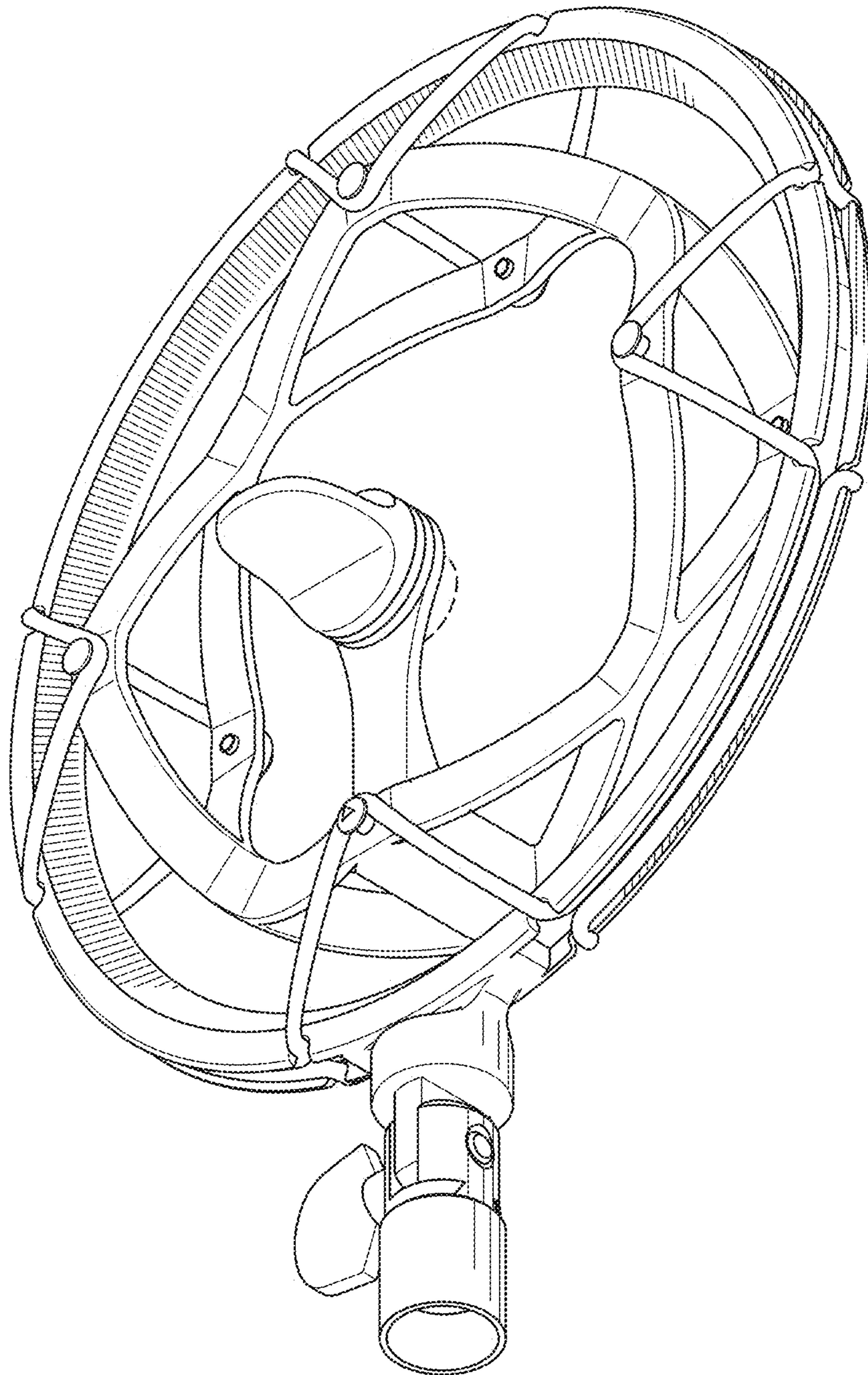


Fig. 4

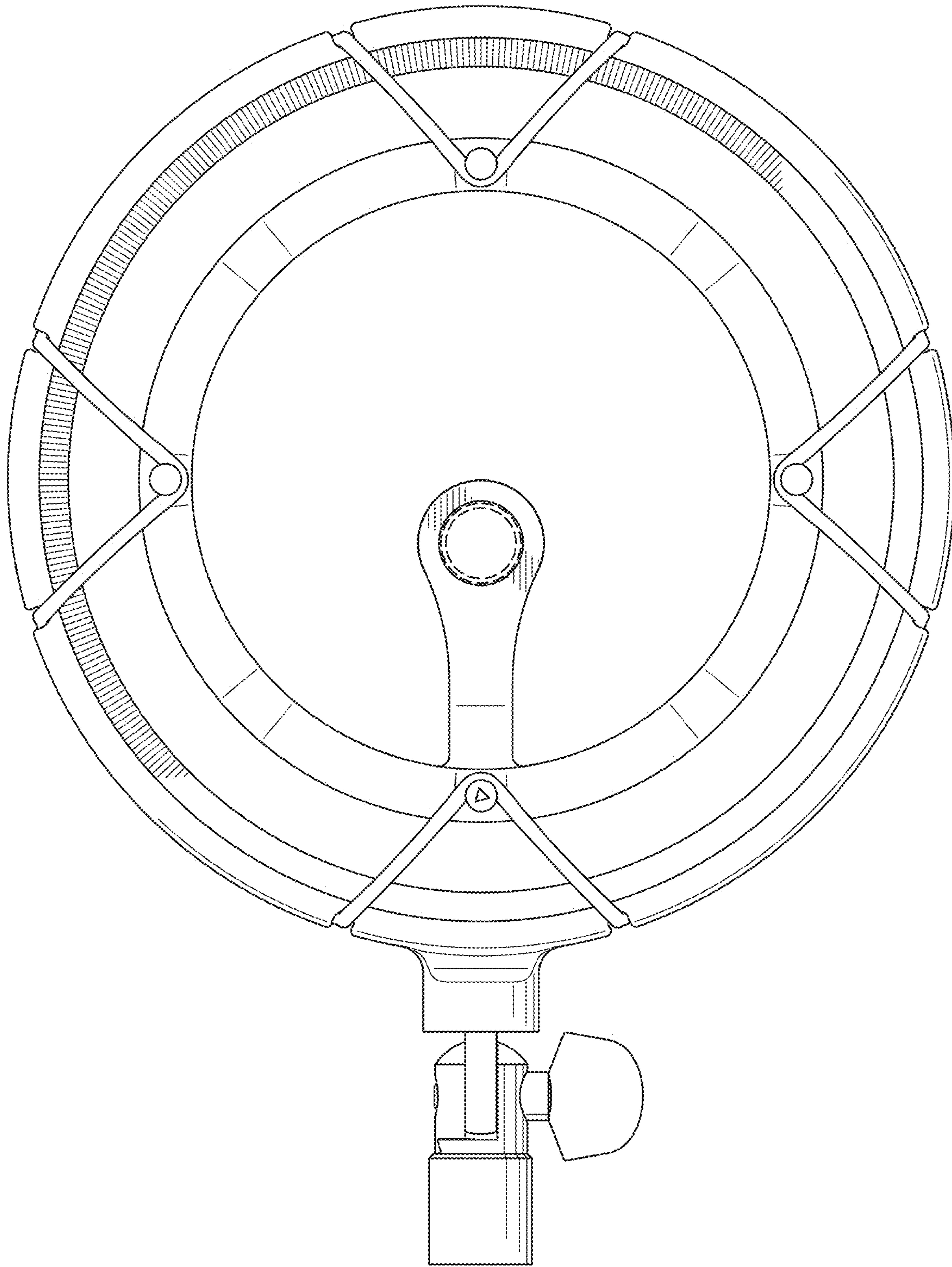


Fig. 5

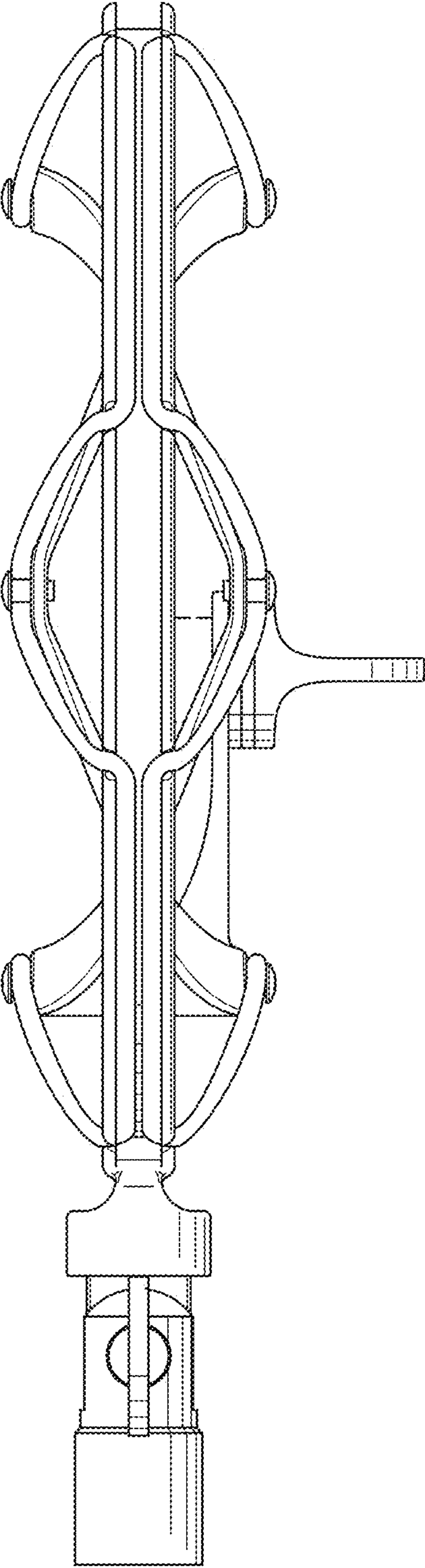


Fig. 6

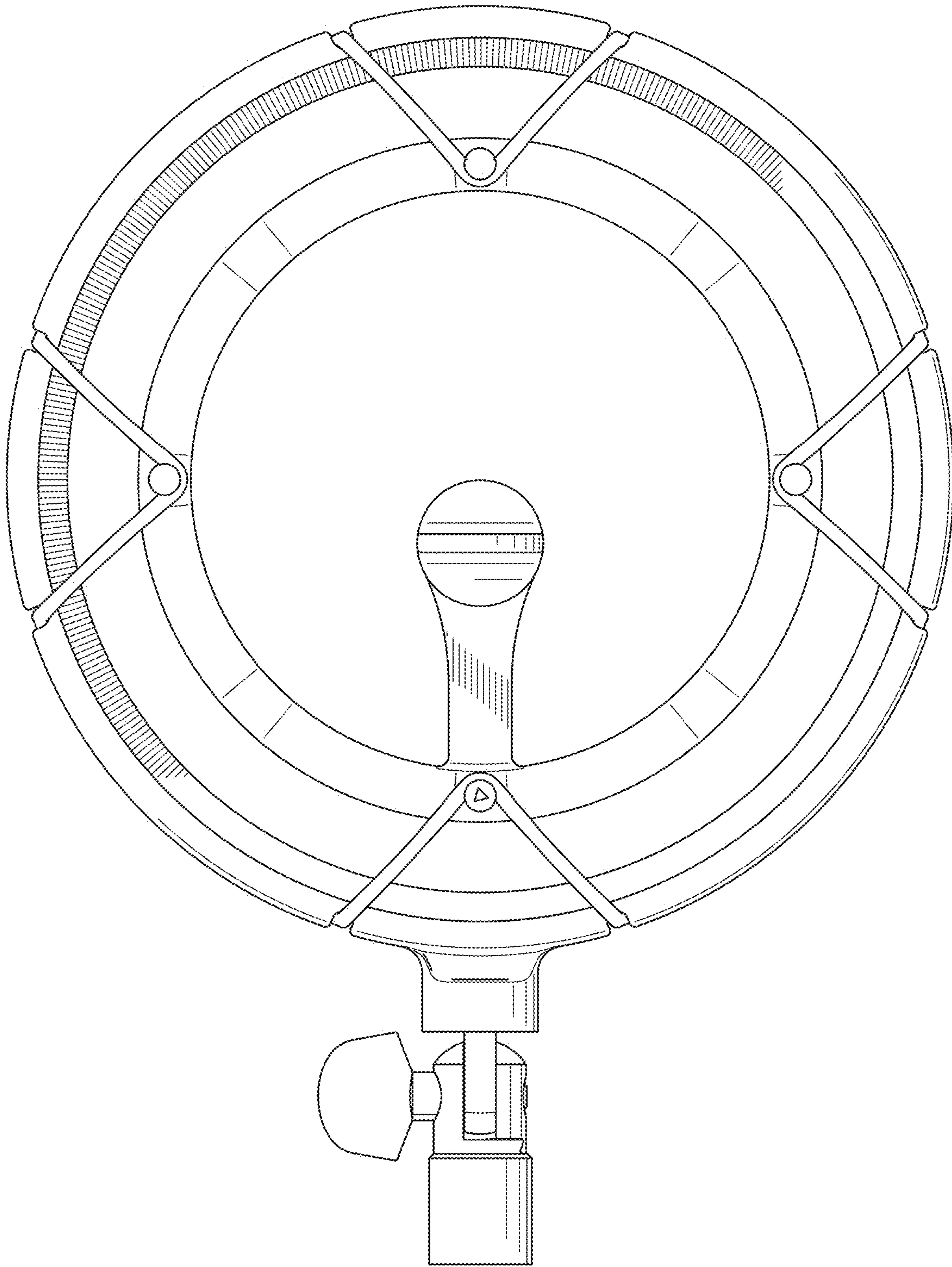


Fig. 7

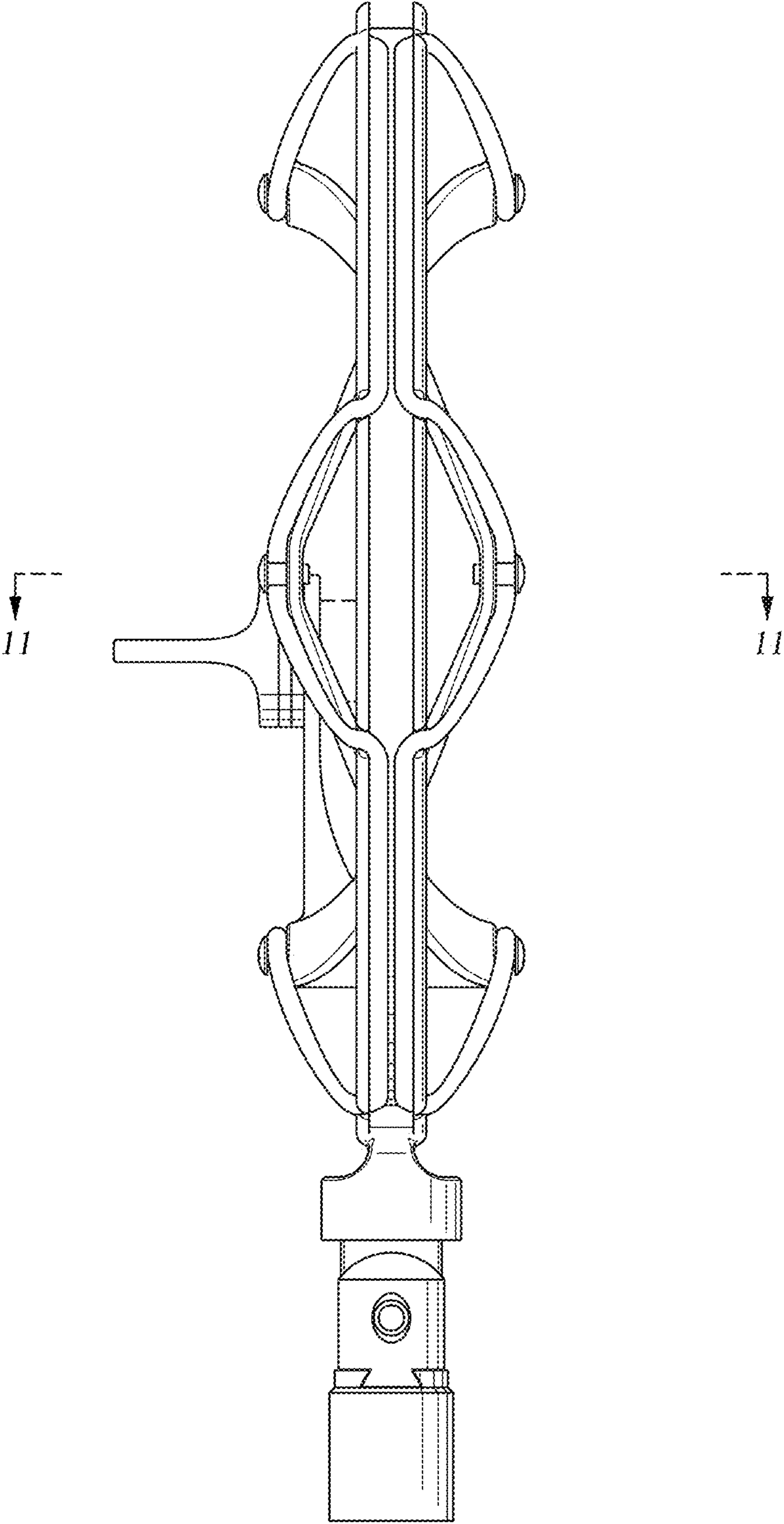


Fig. 8

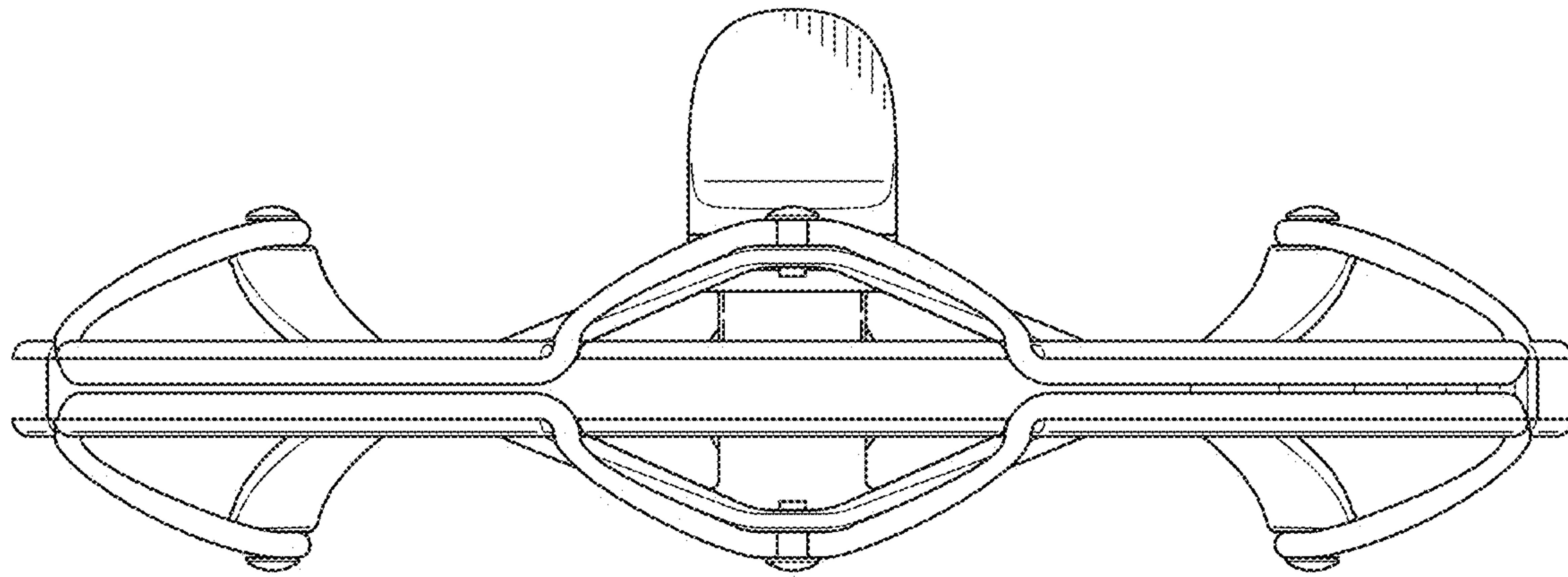


Fig. 9

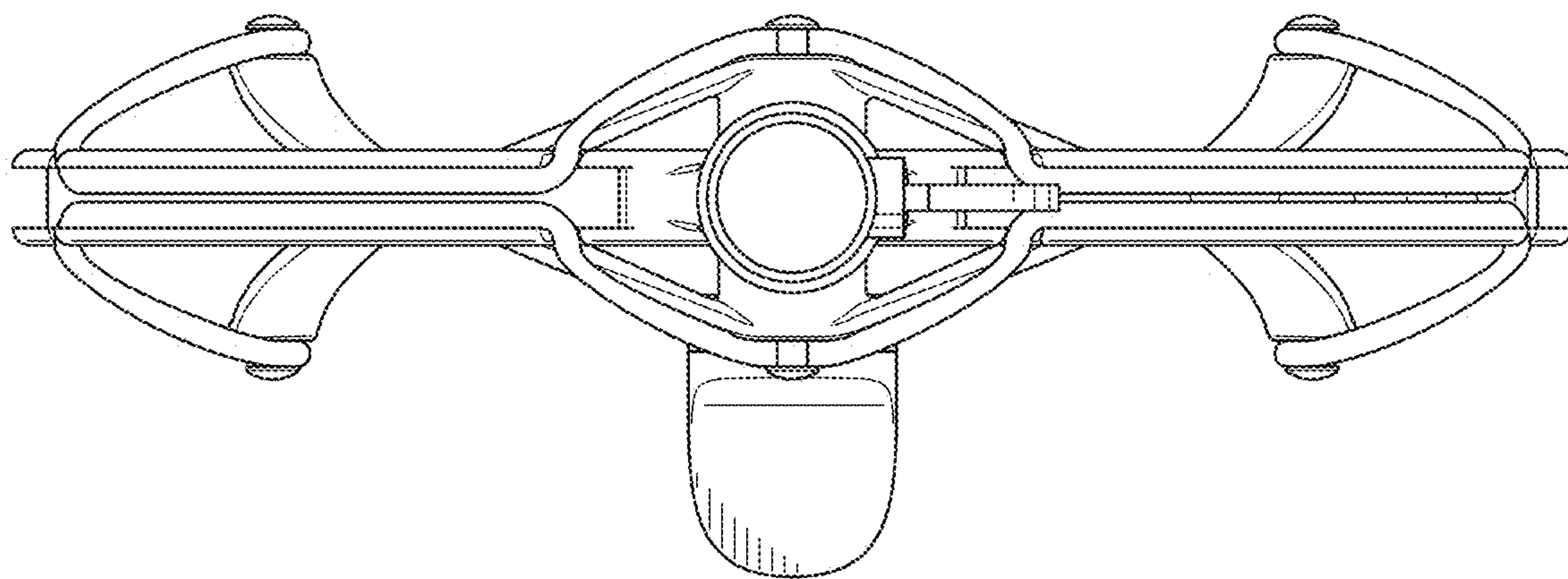


Fig. 10

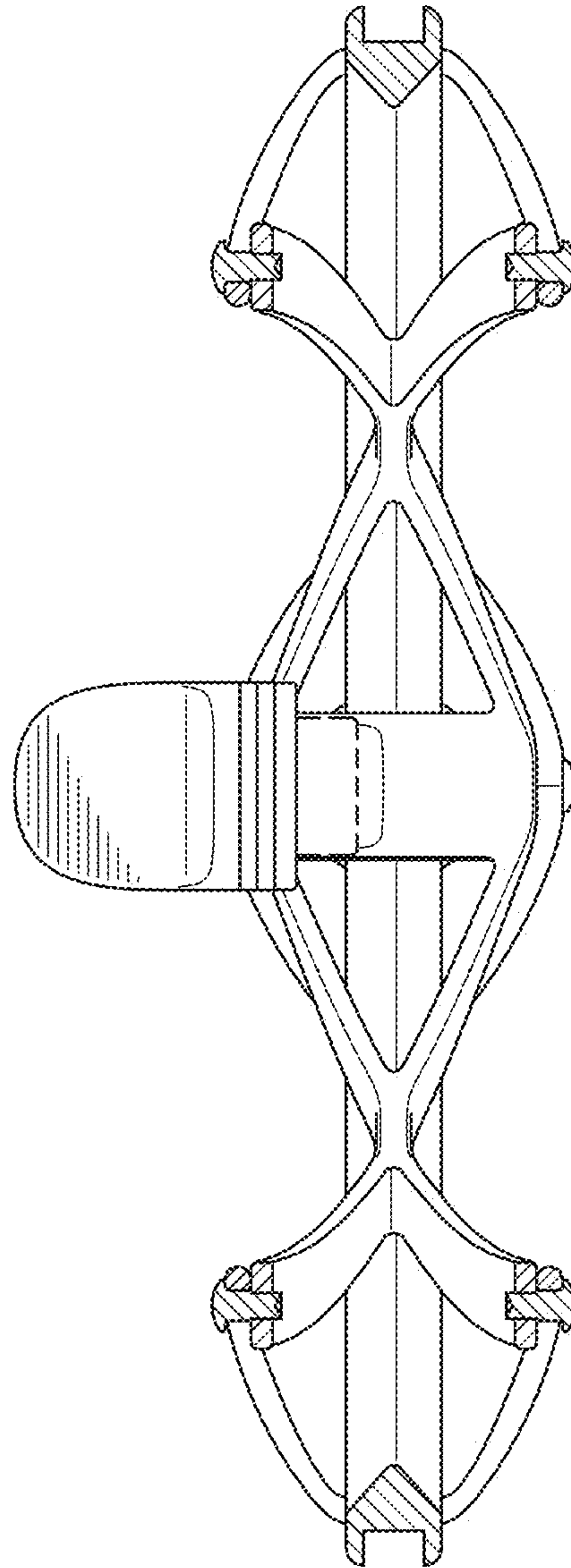


Fig. 11