



US00D889439S

(12) **United States Design Patent** (10) **Patent No.:** **US D889,439 S**
Hsieh et al. (45) **Date of Patent:** **** Jul. 7, 2020**

(54) **EARPHONE**

FOREIGN PATENT DOCUMENTS

(71) Applicant: **1MORE INC.**, Shenzhen, Guangdong (CN)
(72) Inventors: **Kuan-Hong Hsieh**, Guangdong (CN); **Shichen Xu**, Guangdong (CN); **Charles Romain Journeaux Maxime**, Guangdong (CN)

CN 201830337535.7 * 2/2019
CN 201830239288.7 * 4/2019
CN 201930110363.4 * 1/2020
CN 201930411882.4 * 1/2020

(73) Assignee: **1MORE INC.**, Shenzhen (CN)

(**) Term: **15 Years**

(21) Appl. No.: **29/682,683**

(22) Filed: **Mar. 7, 2019**

(51) **LOC (12) Cl.** **D14-01**

(52) **U.S. Cl.**
USPC **D14/223; D14/205**

(58) **Field of Classification Search**
USPC D14/204, 210, 214, 221
CPC .. G10K 13/00; G10K 9/13; H01F 1/03; H01F 3/10; H01F 7/0289

See application file for complete search history.

(56) **References Cited**

U.S. PATENT DOCUMENTS

D579,923 S * 11/2008 Andre D14/205
D681,015 S * 4/2013 Akana H04R 1/1016
D14/223
D691,594 S * 10/2013 Akana D14/223
D801,314 S * 10/2017 Akana D14/223
D830,345 S * 10/2018 Cai D14/223
D847,795 S * 5/2019 Kim D14/223
D848,980 S * 5/2019 Kim D14/223
D848,982 S * 5/2019 Kim D14/223
D853,995 S * 7/2019 Cai D14/223
D861,647 S * 10/2019 Chen D14/223
D869,445 S * 12/2019 Hu D14/223
D875,713 S * 2/2020 Kim D14/205
D878,337 S * 3/2020 Yang D14/223
D883,960 S * 5/2020 Du D14/223
2020/0107127 A1 * 4/2020 Gong H04W 76/15

OTHER PUBLICATIONS

Apple—AirPods, (c) 2019 [online], [retrieved May 20, 2020], Retrieved from internet, URL: <https://www.bestbuy.com/site/apple-airpods-with-charging-case-latest-model-white/6084400.p?skuId = 6084400&ref=212&loc=1&extStoreId=269&ref=2%E2%80%A6> (Year: 2019).*

Xiaomi Mi AirDots, (c) 2020 [online], [retrieved May 20, 2020], Retrieved from internet, URL: <https://timesofindia.indiatimes.com/gadgets-news/xiaomi-mi-airdots-2-se-true-wireless-earbuds-launched/articleshow/75735681.cms> (Year: 2020).*

* cited by examiner

Primary Examiner — Barbara Fox

Assistant Examiner — Aram Kwon

(74) *Attorney, Agent, or Firm* — Ladas & Parry LLP

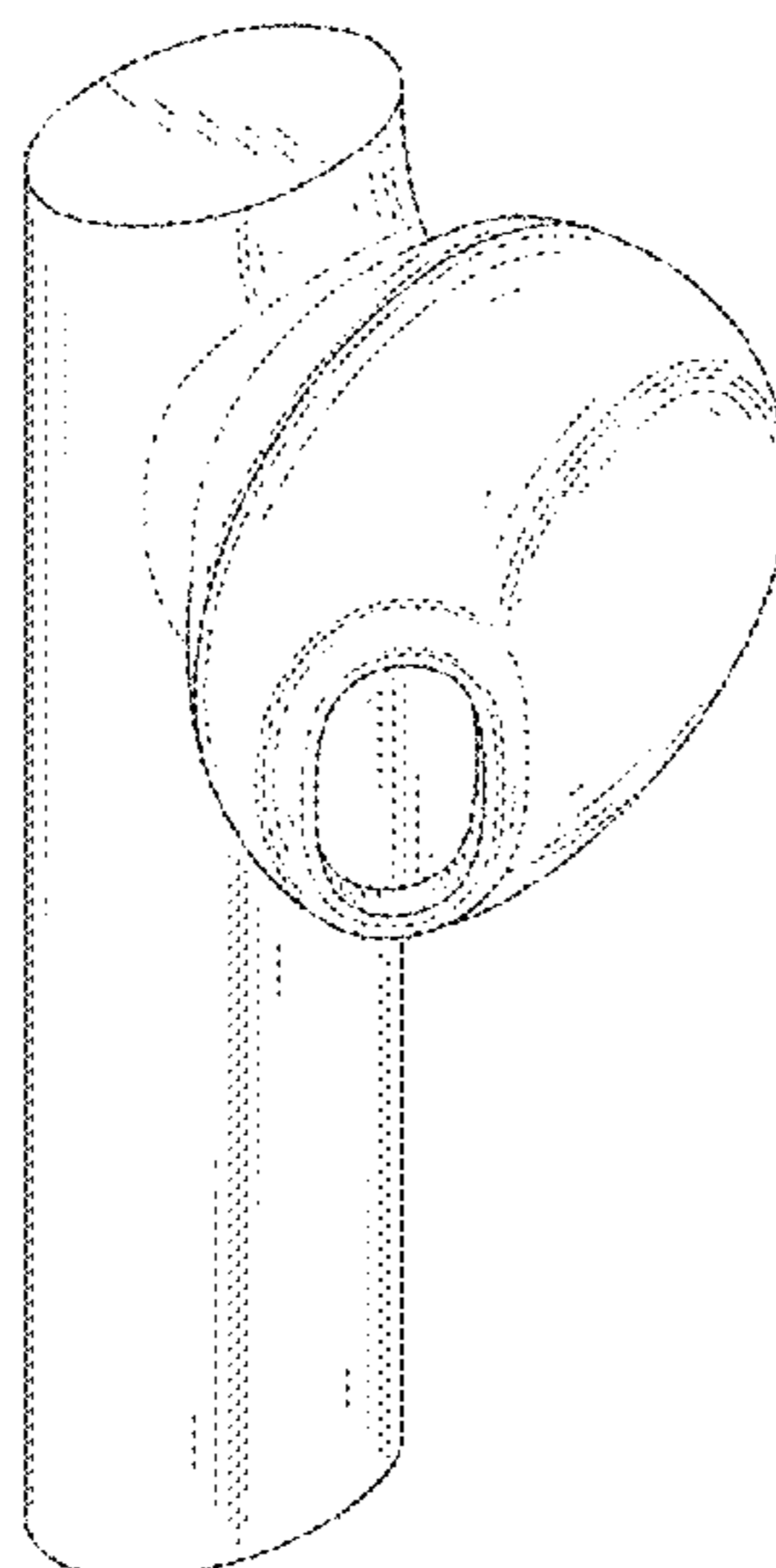
(57) **CLAIM**

The ornamental design for an earphone, as shown and described.

DESCRIPTION

FIG. 1 is a front, left, and top perspective view of an earphone showing our new design; FIG. 2 is a rear, right, and bottom perspective view thereof; FIG. 3 is a front elevational view thereof; FIG. 4 is a rear elevational view thereof; FIG. 5 is a left side elevational view thereof; FIG. 6 is a right side elevational view thereof; FIG. 7 is a top plan view thereof; and, FIG. 8 is a bottom plan view thereof.

1 Claim, 8 Drawing Sheets



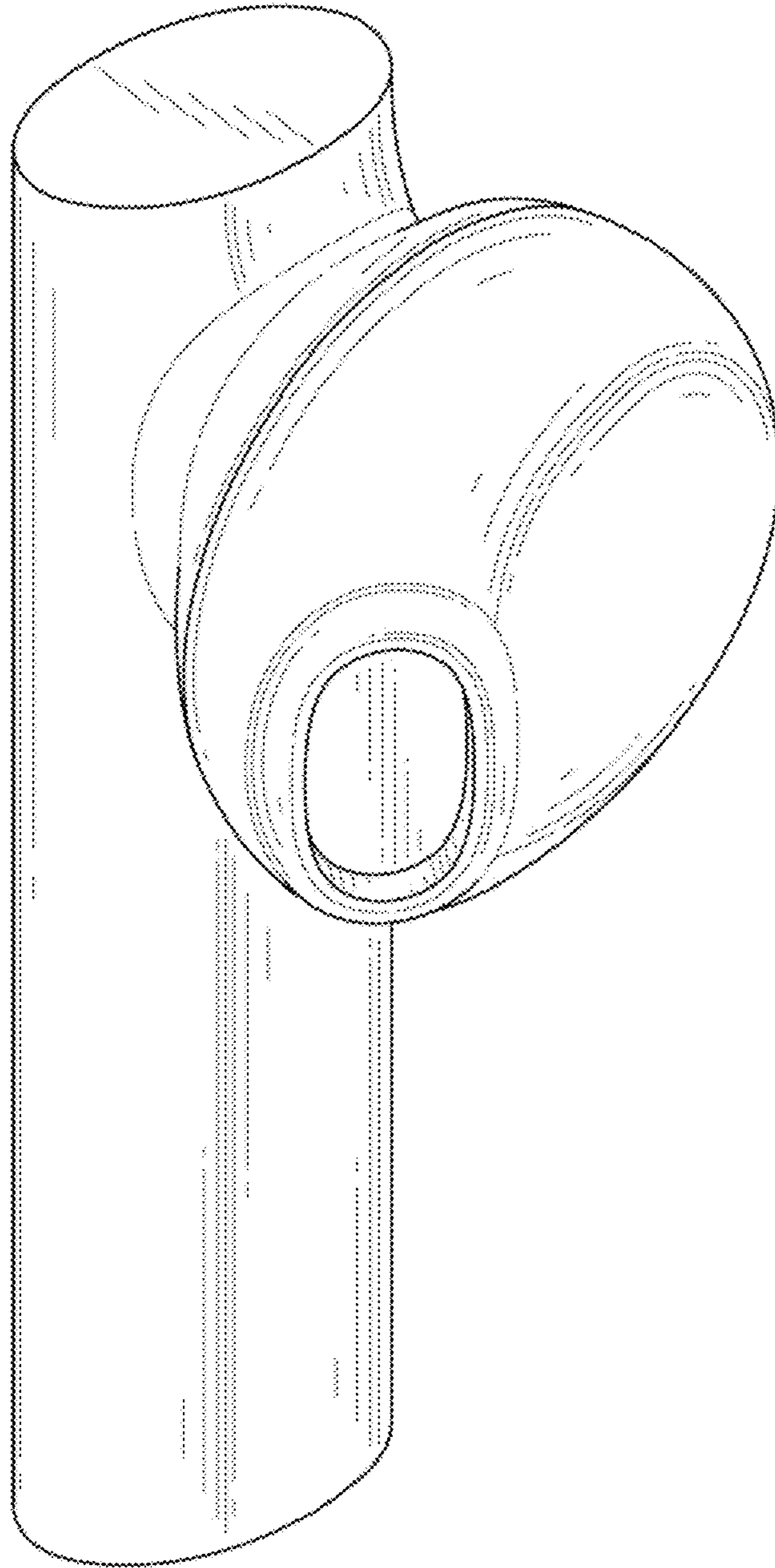


FIG. 1

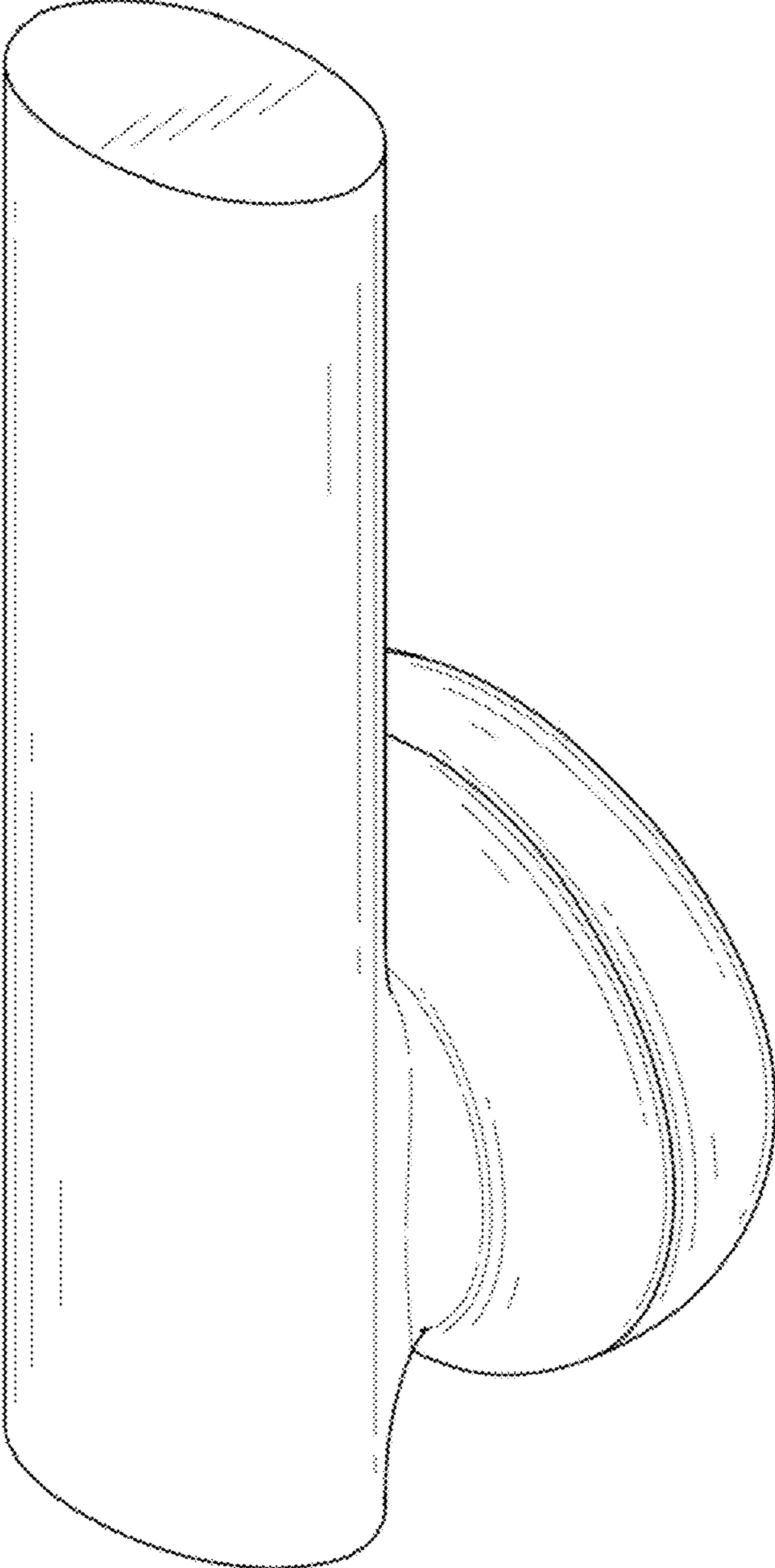


FIG. 2

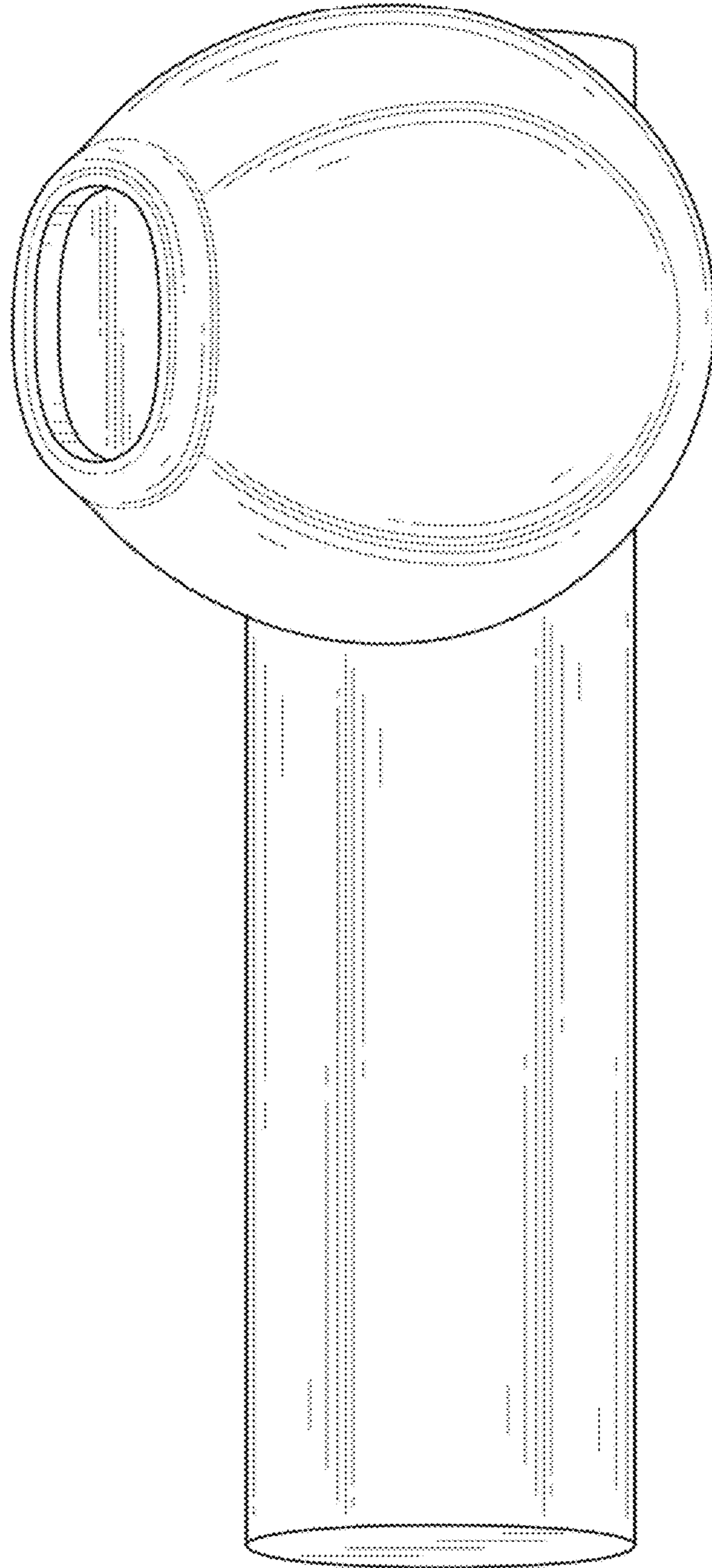


FIG. 3

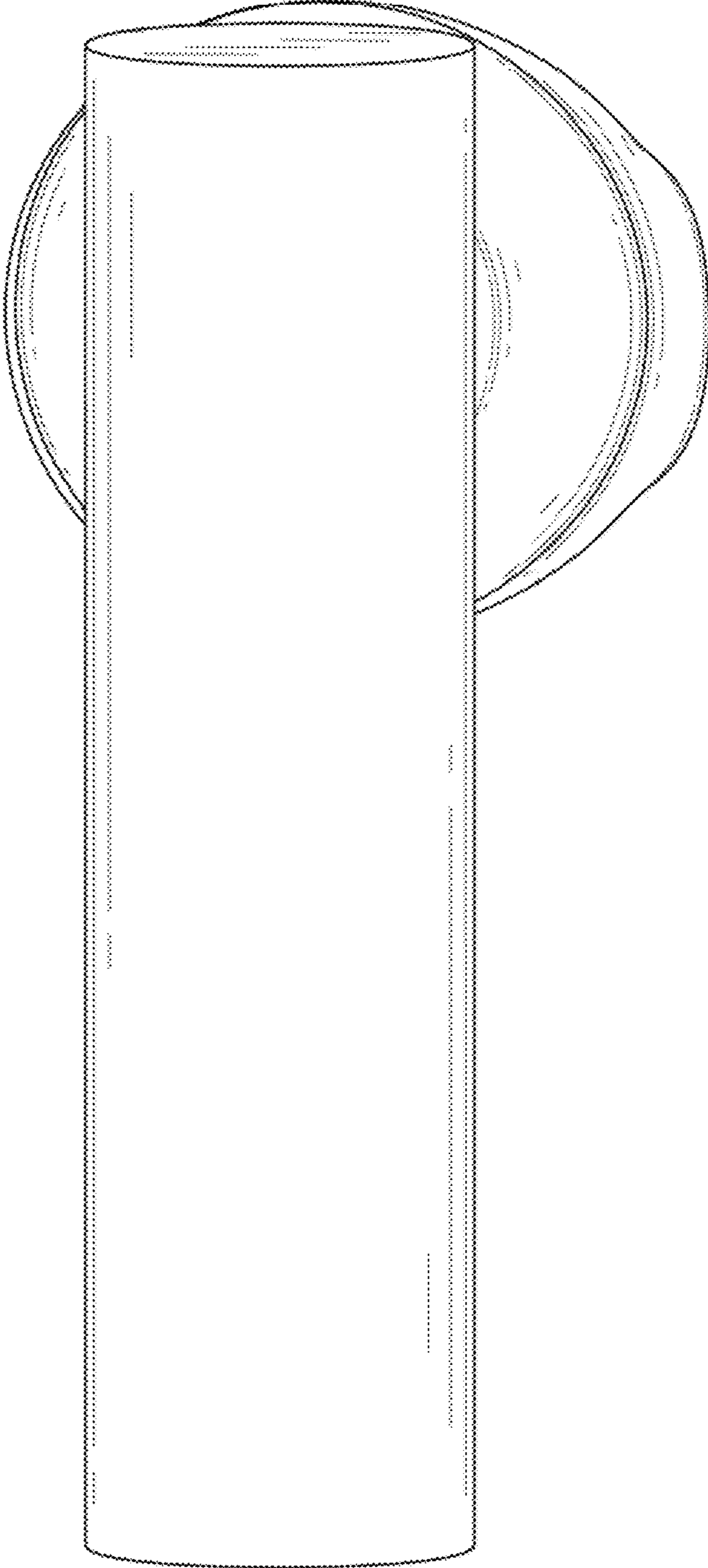


FIG. 4

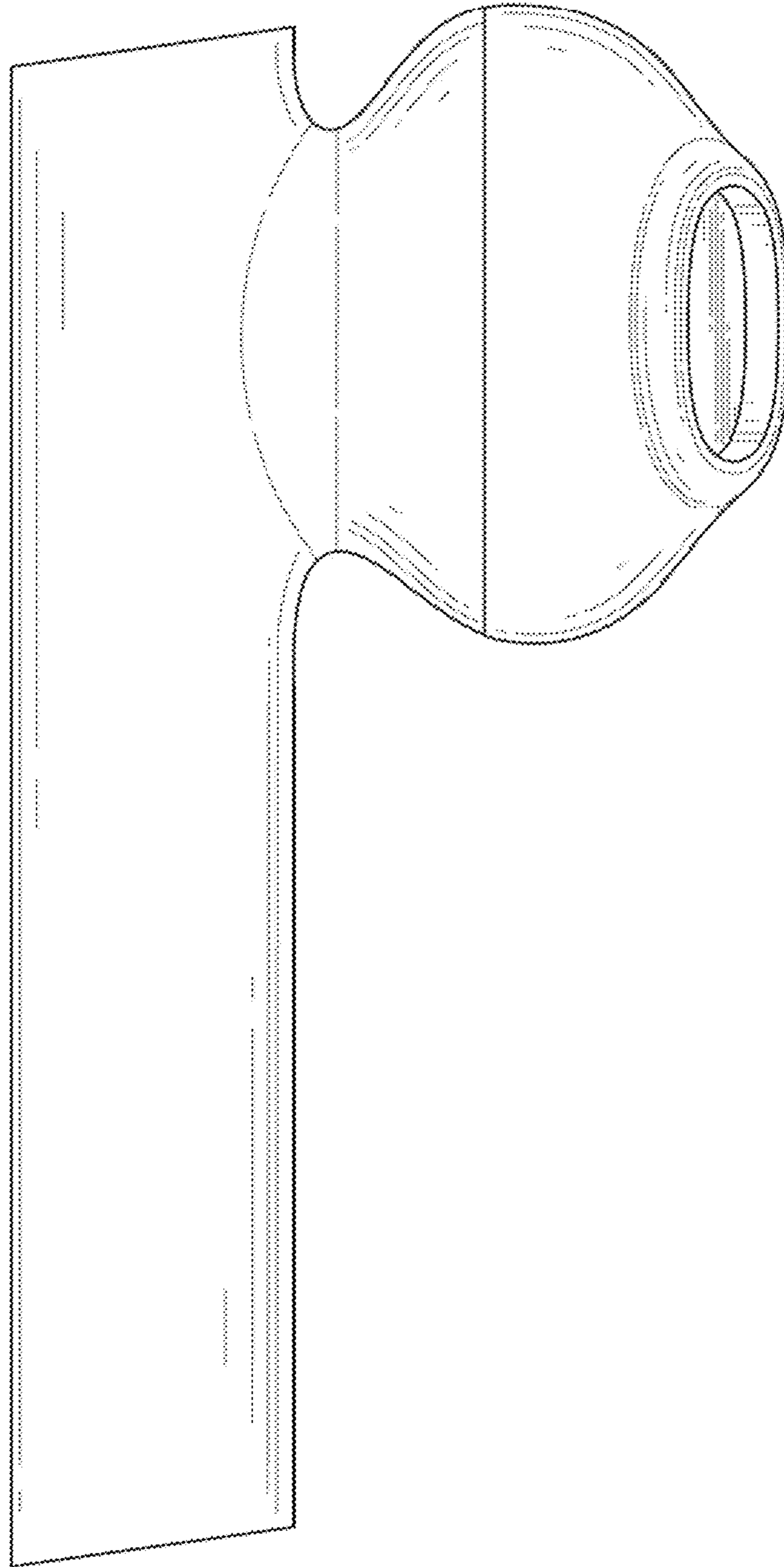


FIG. 5

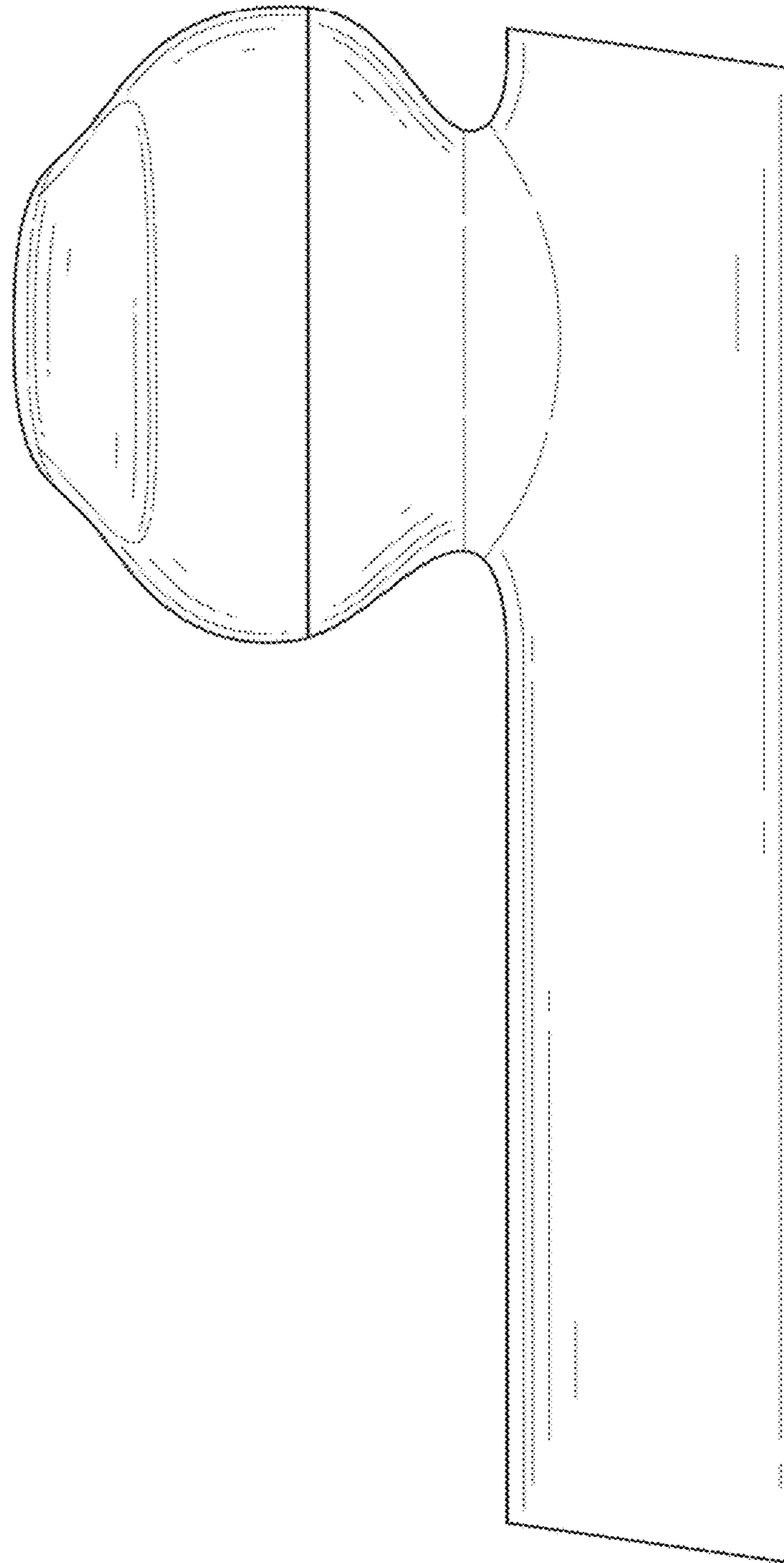


FIG. 6

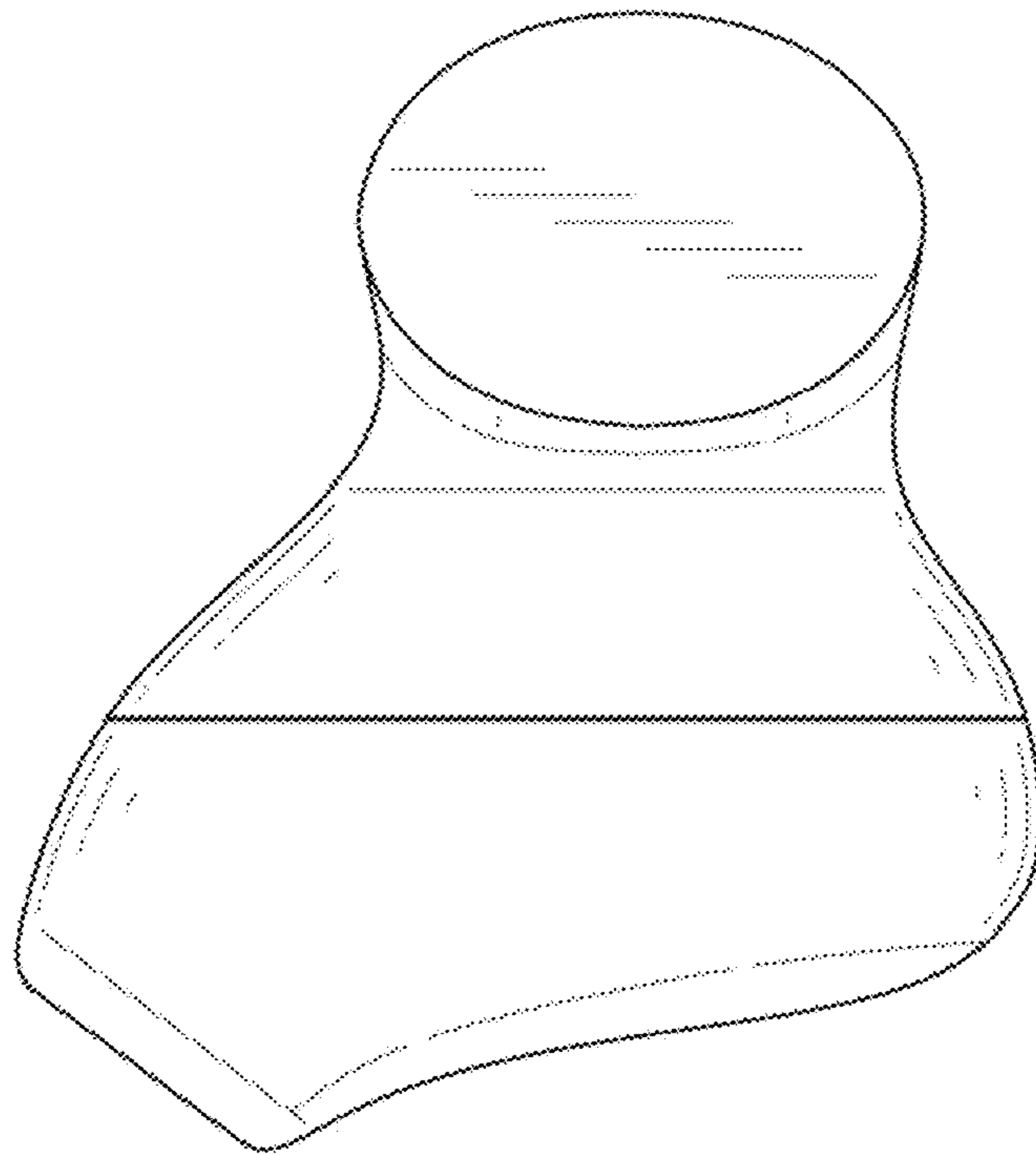


FIG. 7

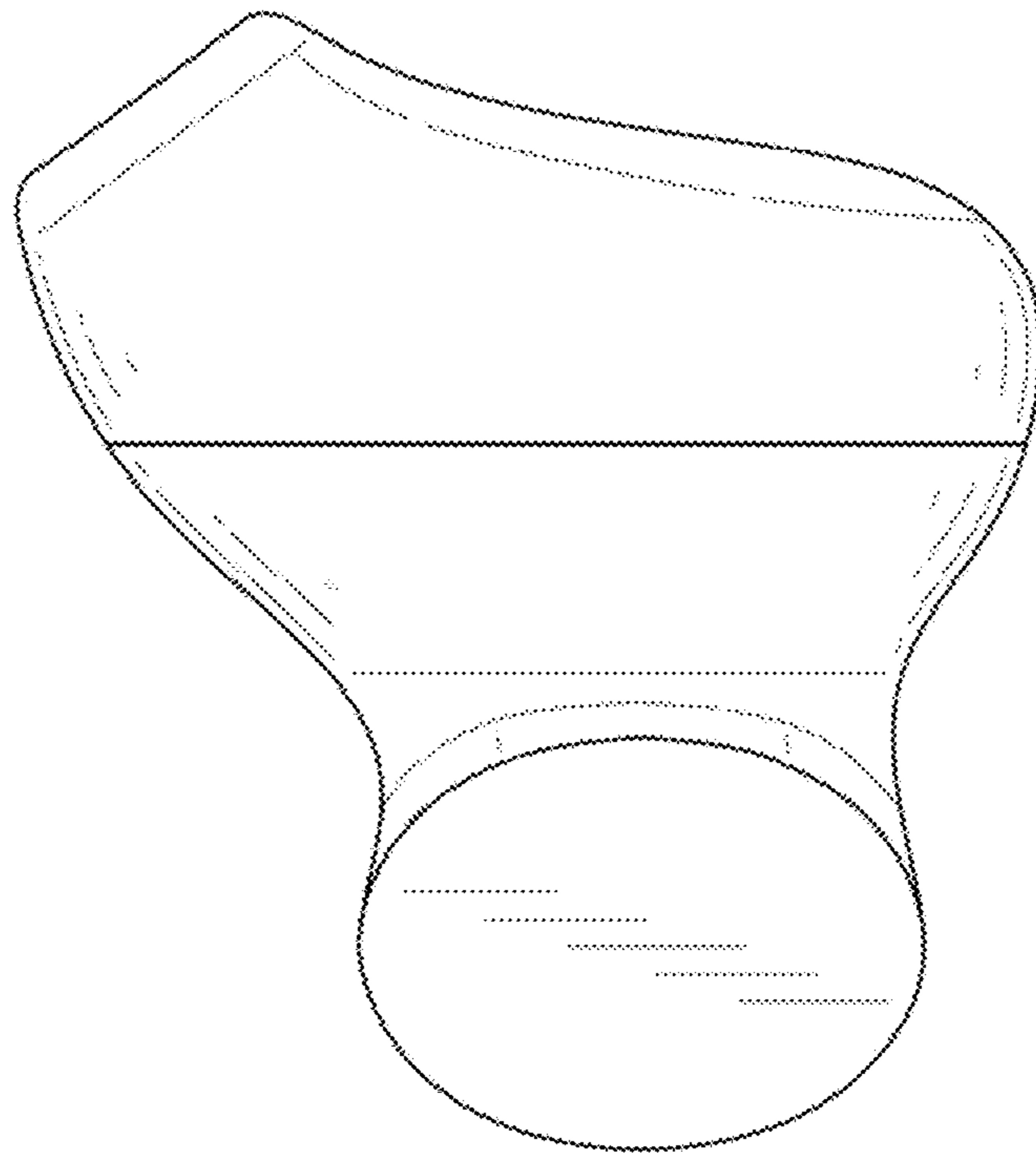


FIG. 8