



US00D889435S

(12) **United States Design Patent**
Zimmer

(10) **Patent No.:** **US D889,435 S**

(45) **Date of Patent:** **** Jul. 7, 2020**

(54) **HEADSET ACCESSORY ADAPTER**

(71) Applicant: **Trent Zimmer**, Houma, LA (US)

(72) Inventor: **Trent Zimmer**, Houma, LA (US)

(**) Term: **15 Years**

(21) Appl. No.: **29/680,553**

(22) Filed: **Feb. 18, 2019**

(51) **LOC (12) Cl.** **14-03**

(52) **U.S. Cl.**
USPC **D14/217**

(58) **Field of Classification Search**
USPC D14/217, 240, 204, 207, 209, 210, 211,
D14/212, 213, 214, 215, 216, 221, 222,
D14/224

CPC .. H04R 1/1083; H04R 1/1008; H04R 1/1016;
H04R 1/1041; H04R 1/105; H04R
1/1091; H04R 2460/01; H04R 2499/15;
H04R 3/04; H04R 5/033; H04R 1/02;
H04R 1/1066; H04R 2201/107; H04R
2225/41; H04R 2227/005; H04R 2420/07;
H04R 2430/01; H04R 2460/13; H04R
2499/11; H04R 29/001; H04R 3/005;
H04R 5/04; H04R 17/02; H04R 19/005;
H04R 19/04; H04R 1/023; H04R 1/025;
H04R 1/028; H04R 1/10; H04R 1/1025;
H04R 1/1033; H04R 1/1058; H04R
1/1075; H04R 1/22; H04R 1/2826; H04R
1/2846; H04R 1/2849; H04R 1/403;
H04R 1/406; H04R 2201/003; H04R
2201/028; H04R 2201/403; H04R
2203/12; H04R 2205/024; H04R
2205/041; H04R 2225/39; H04R 2225/43;
H04R 2225/55; H04R 2227/003; H04R
2400/01; H04R 2410/05; H04R 2420/01;
H04R 2420/05; H04R 2420/09; H04R
2460/07; H04R 2499/13; H04R 25/305;
H04R 25/505; H04R 25/55; H04R 25/70;
H04R 25/75; H04R 29/005; H04R

(Continued)

(56) **References Cited**

U.S. PATENT DOCUMENTS

D273,009 S * 3/1984 Isaacs D11/2
D310,523 S * 9/1990 Hino D14/137
D310,907 S * 10/1990 Mark D14/192

(Continued)

Primary Examiner — Khawaja Anwar

(74) *Attorney, Agent, or Firm* — Asgaard Patent Services,
LLC; F. Wayne Thompson, Jr.

(57) **CLAIM**

The ornamental design for a headset accessory adapter, as
shown and described.

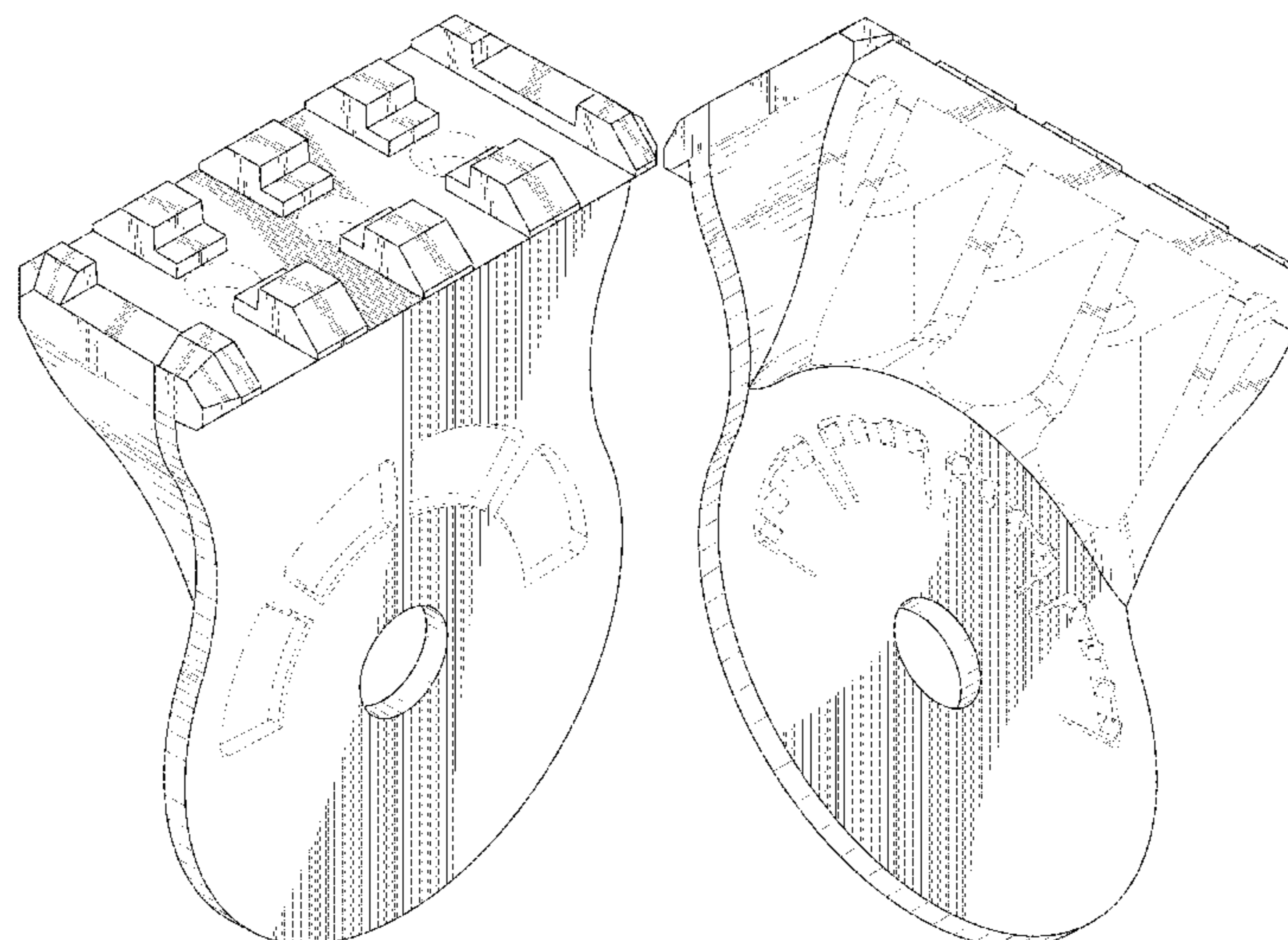
DESCRIPTION

FIG. 1 is an isometric view of a headset accessory adapter
being used in conjunction with a headset mount;
FIG. 2 is a top, front, left isometric view of the headset
accessory adapter shown in FIG. 1;
FIG. 3 is a bottom, back, right isometric view of the headset
accessory adapter shown in FIG. 2;
FIG. 4 is a front view of the headset accessory adapter
shown in FIG. 2;
FIG. 5 is a right side view of the headset accessory adapter
shown in FIG. 2;
FIG. 6 is a back view of the headset accessory adapter shown
in FIG. 2;
FIG. 7 is a left side view of the headset accessory adapter
shown in FIG. 2;
FIG. 8 is a top view of the headset accessory adapter shown
in FIG. 2; and,
FIG. 9 is a bottom view of the headset accessory adapter
shown in FIG. 2.

The headset mount illustrated in FIG. 1 is shown in broken
lines, is an environment for the headset accessory adapter,
and forms no part of the claimed design.

The portions of the headset accessory adapter shown in
broken lines form no part of the claimed design.

1 Claim, 7 Drawing Sheets



(58) **Field of Classification Search**

CPC 29/007; H04R 31/003; H04R 3/00; H04R
3/12; H04R 5/027; H04R 5/0335

See application file for complete search history.

(56) **References Cited**

U.S. PATENT DOCUMENTS

D397,838	S	*	9/1998	Waggoner	D14/192
D736,177	S	*	8/2015	Winters	D14/192
D757,683	S	*	5/2016	Glezerman	D14/206
D868,741	S	*	12/2019	Barber	D14/217
D868,742	S	*	12/2019	Cao	D14/217
D877,719	S	*	3/2020	Glezerman	D14/217
2016/0324248	A1	*	11/2016	Winters	A42B 3/30

* cited by examiner

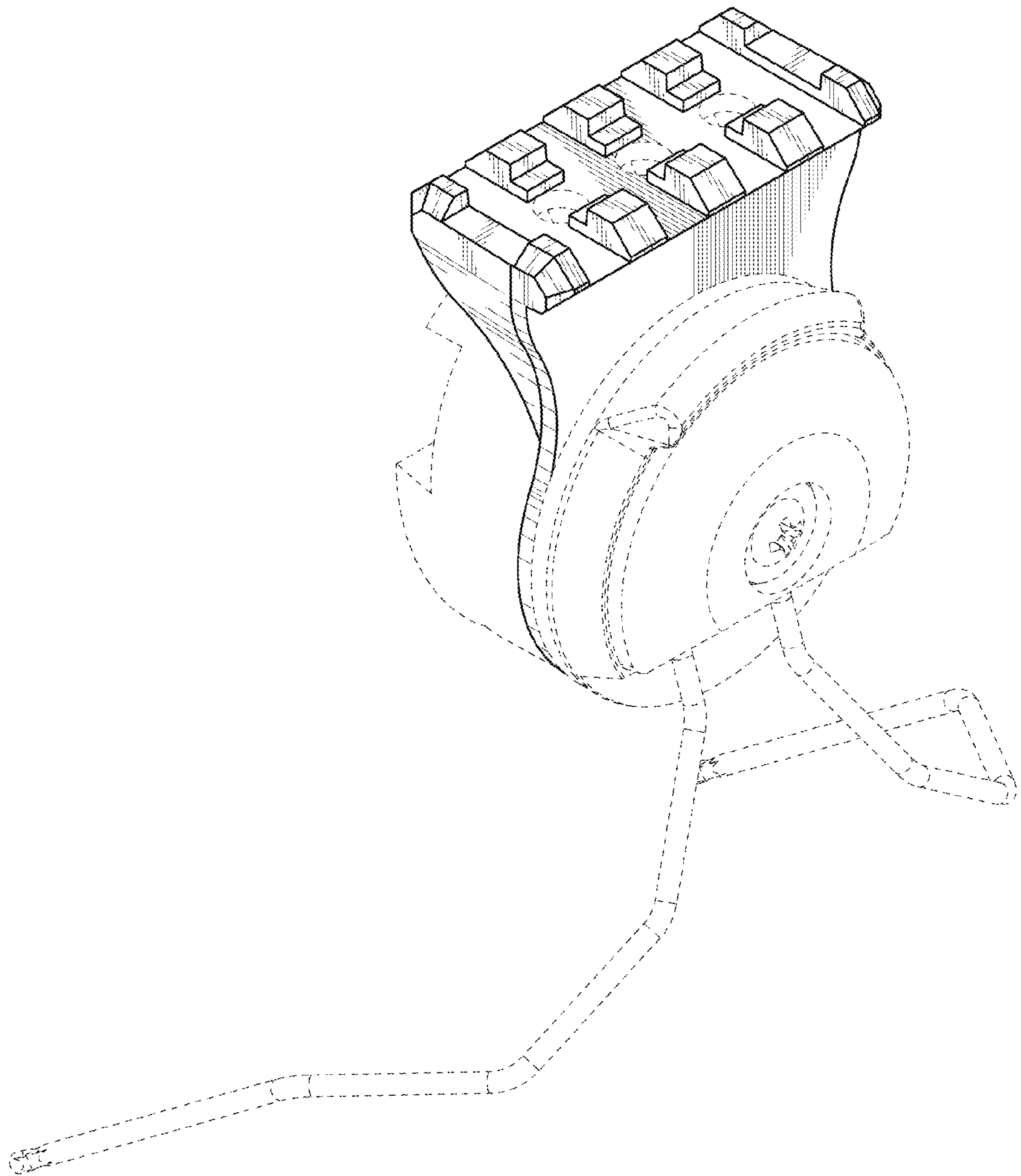


FIG. 1

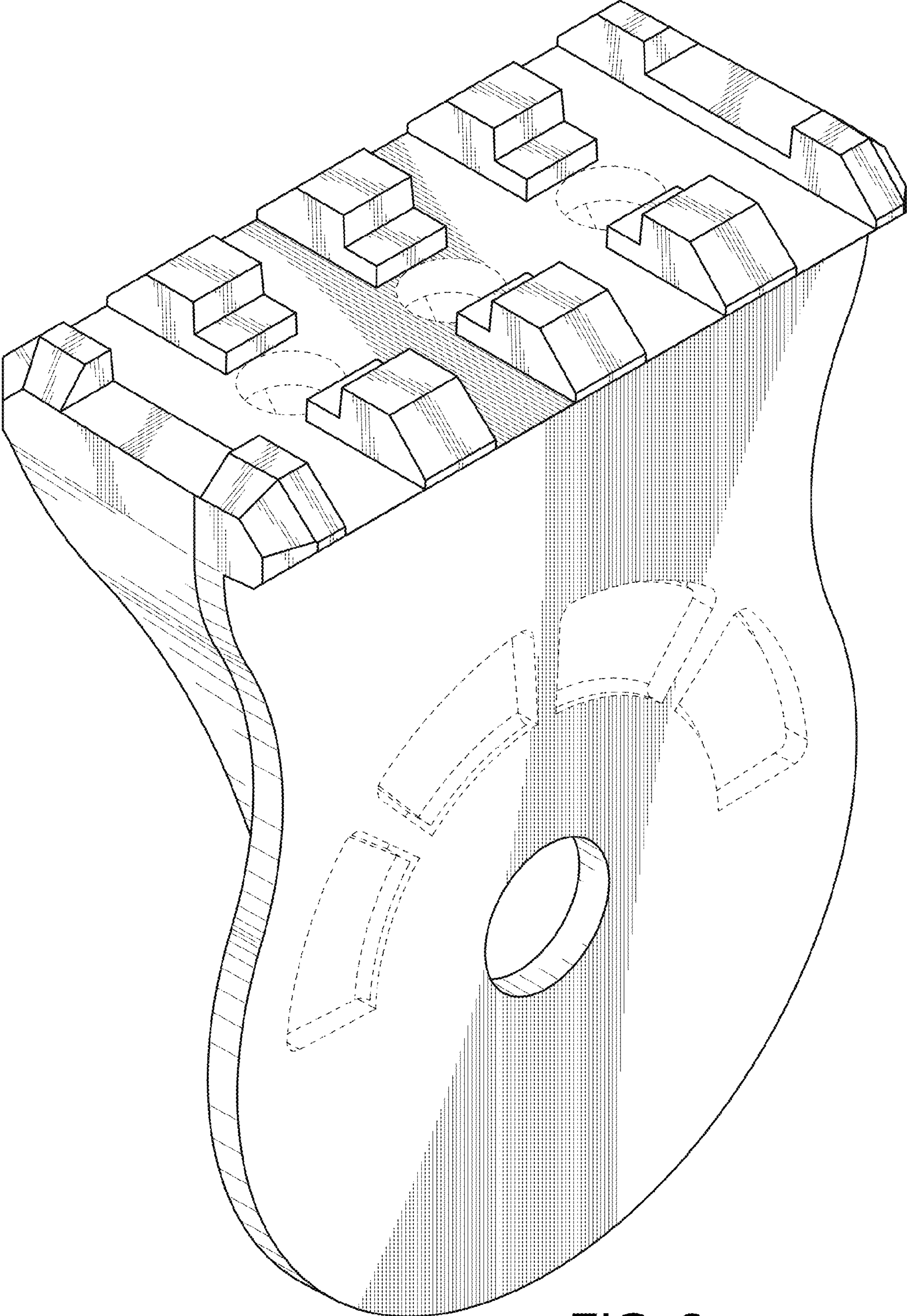


FIG. 2

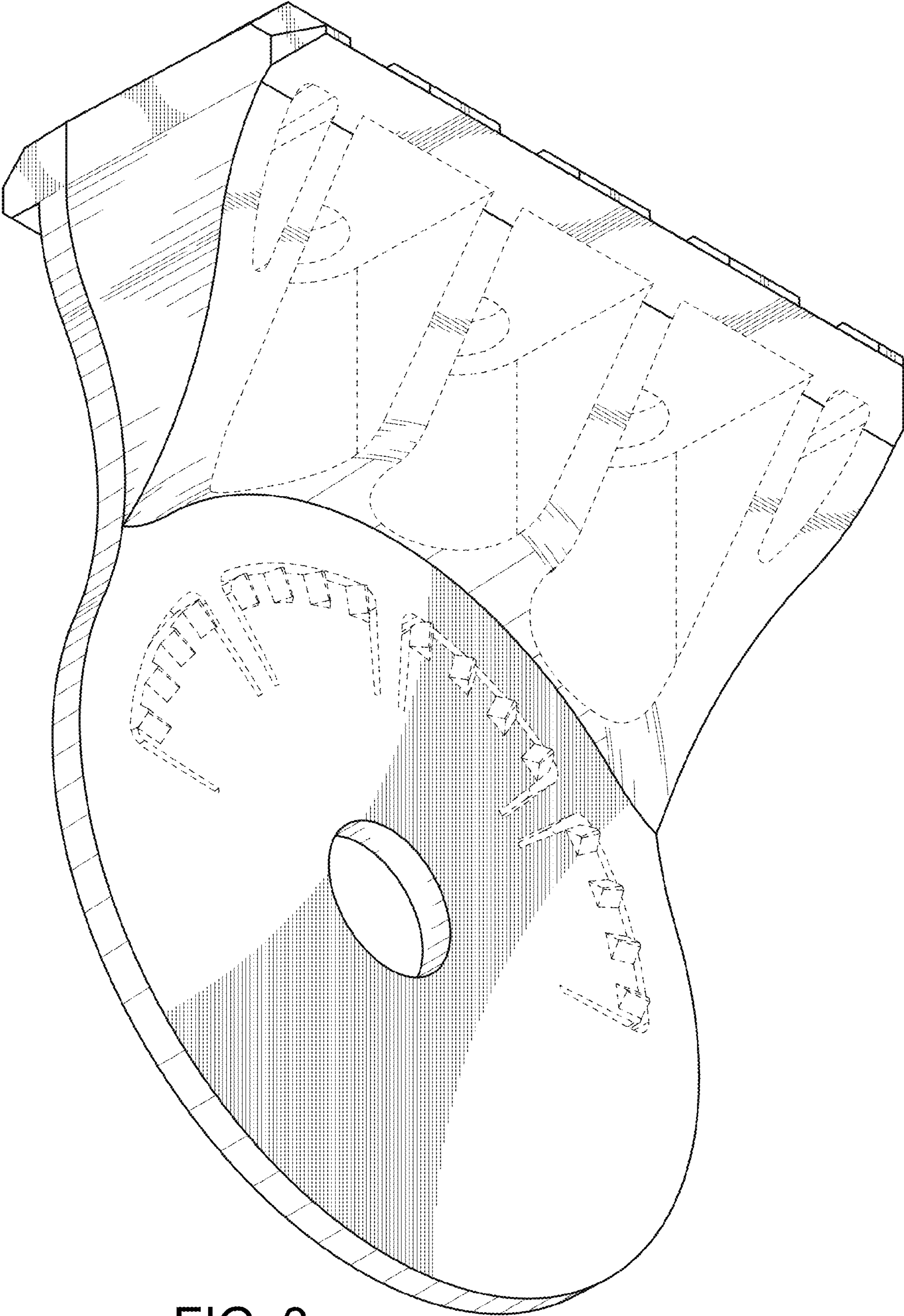


FIG. 3

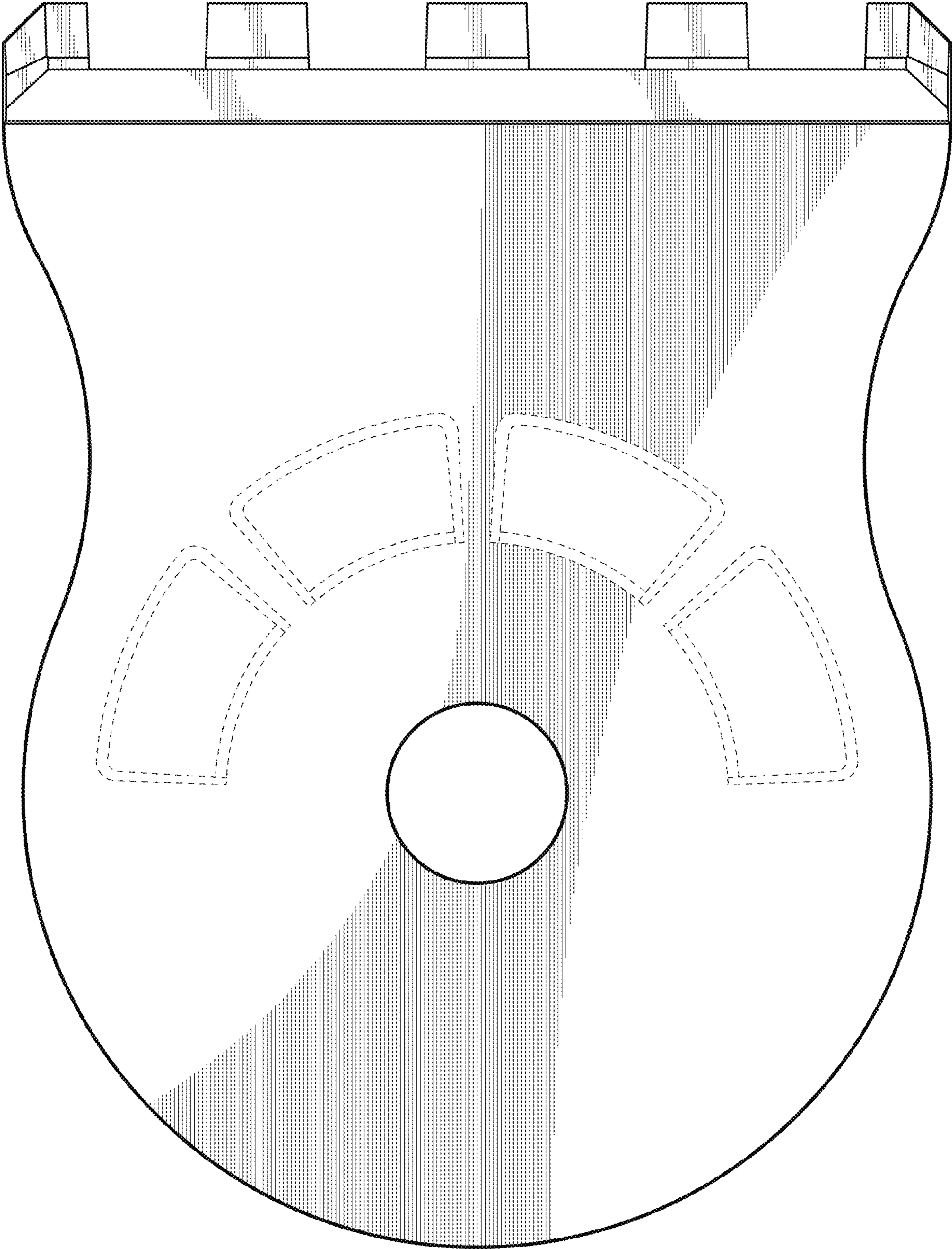


FIG. 4

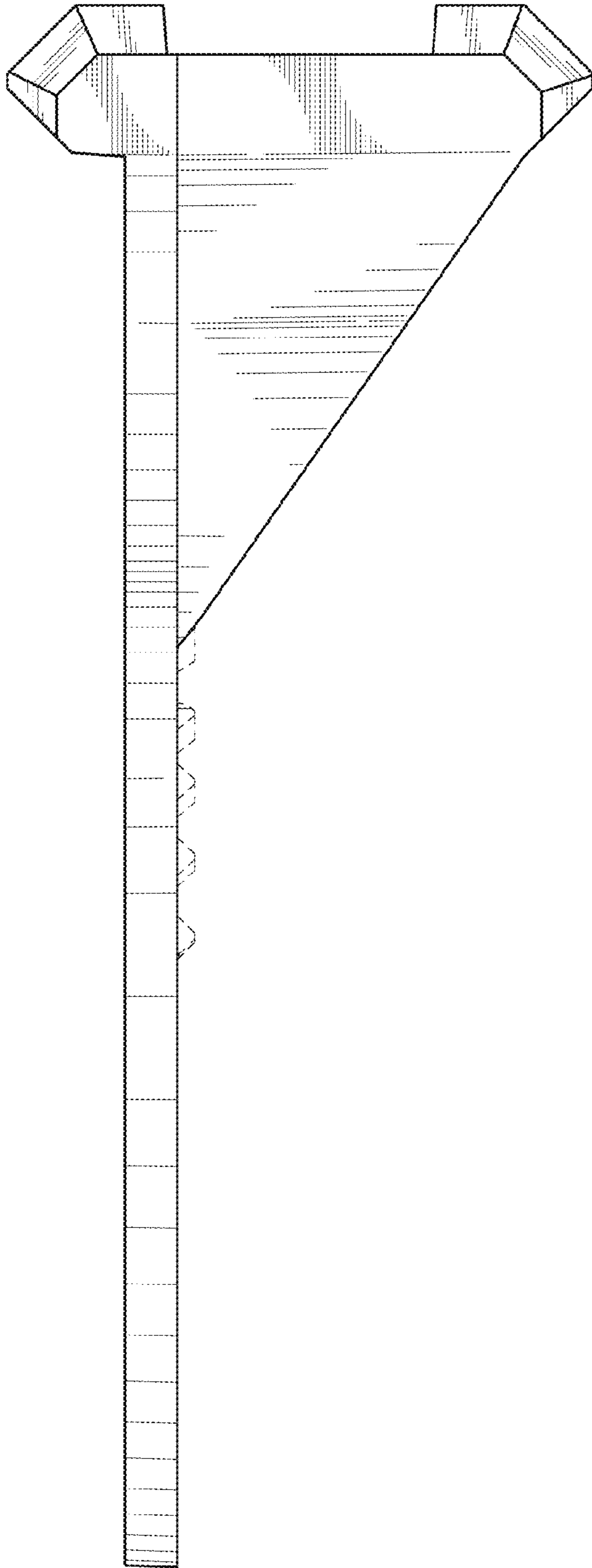


FIG. 5

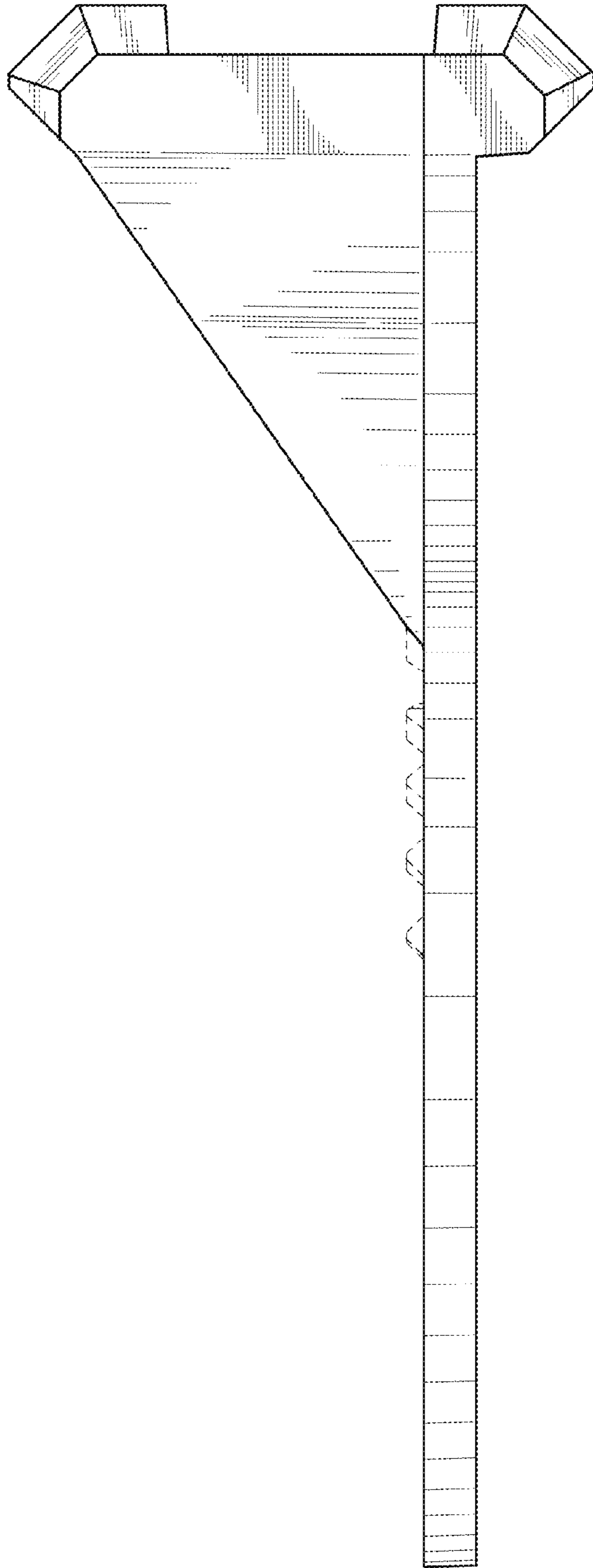


FIG. 7

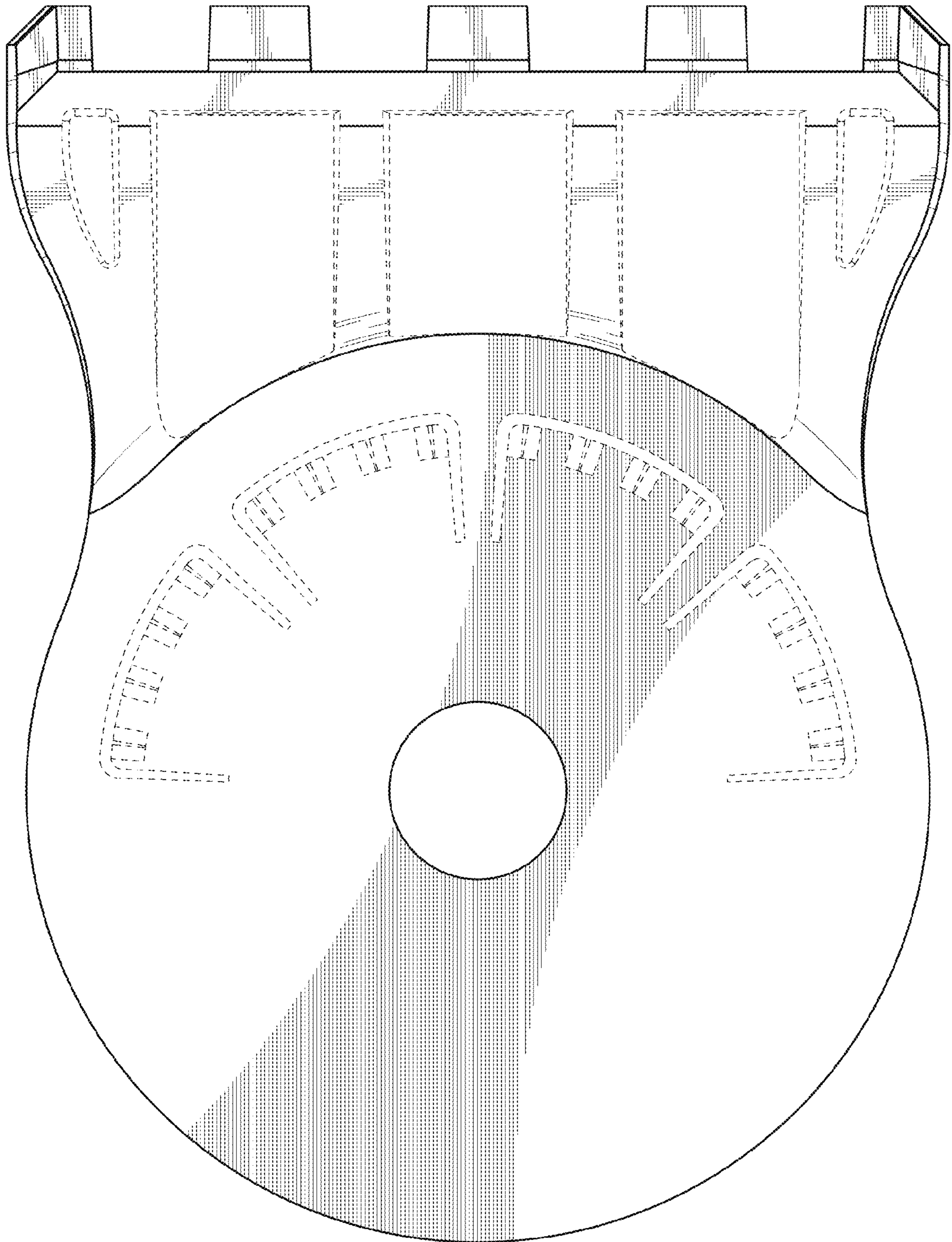


FIG. 6

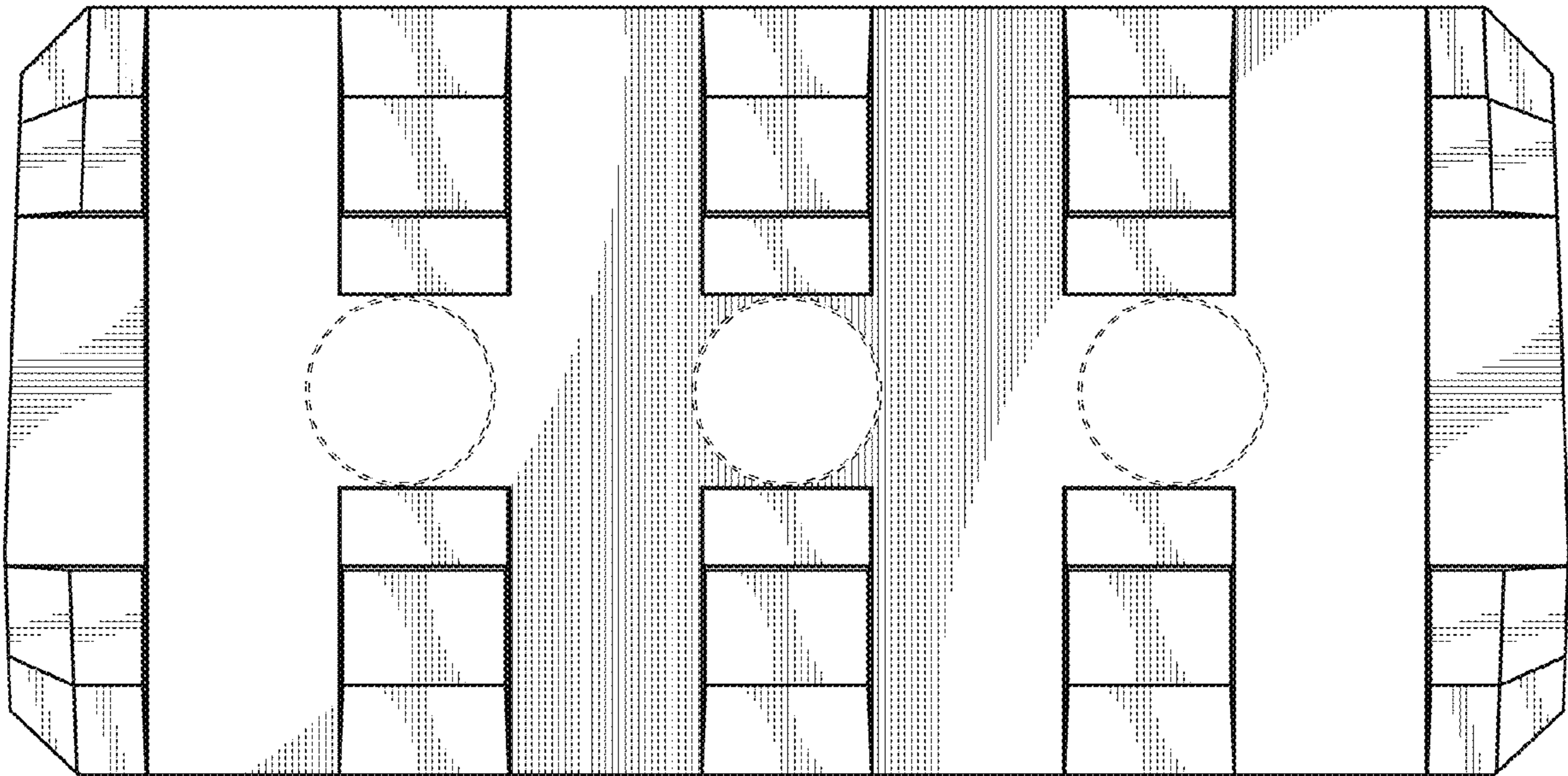


FIG. 8

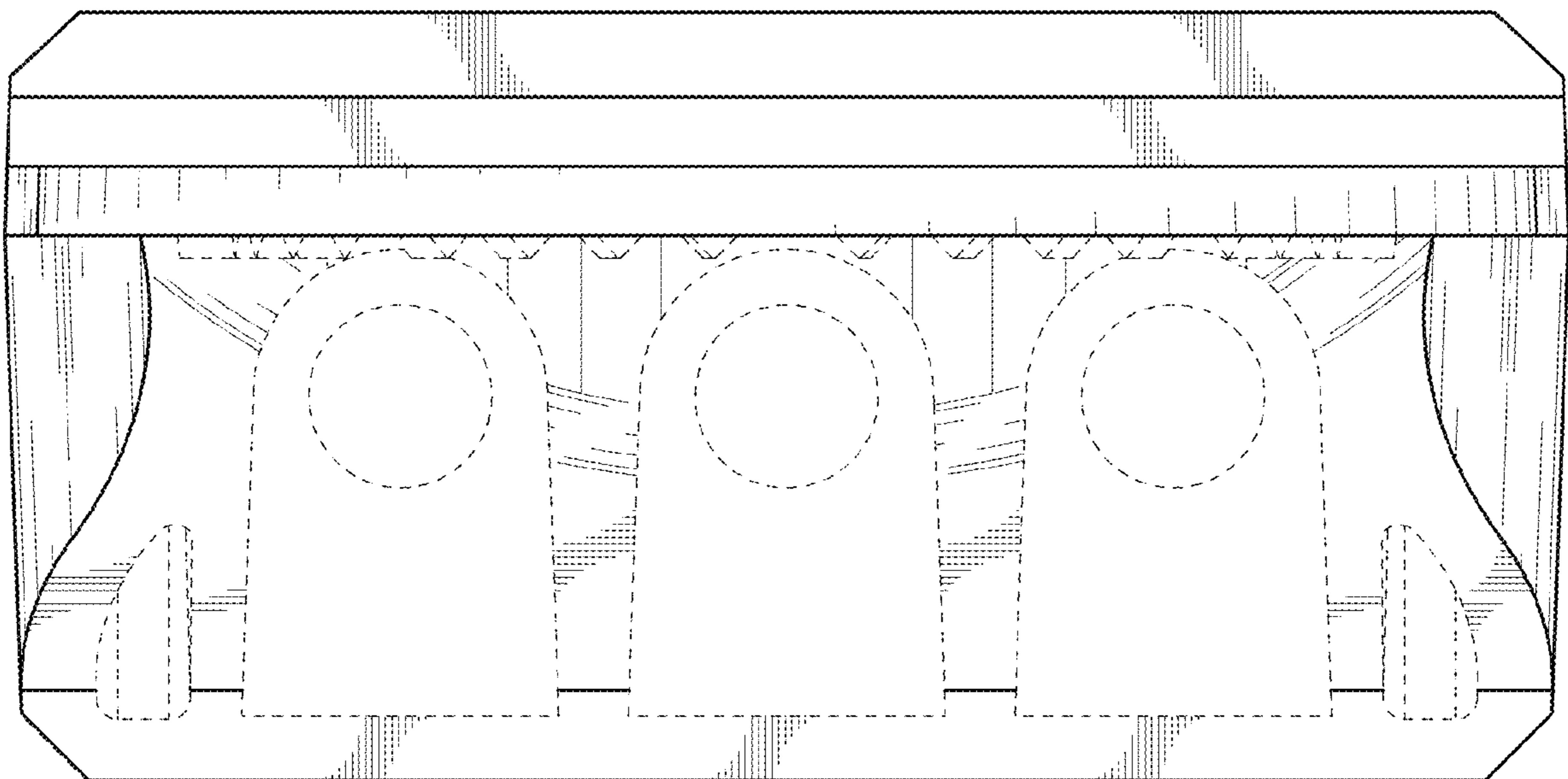


FIG. 9