



US00D889432S

(12) **United States Design Patent**  
**Brunner et al.**

(10) **Patent No.:** **US D889,432 S**  
(45) **Date of Patent:** **\*\* Jul. 7, 2020**

(54) **AUDIO LISTENING SYSTEM**

CPC .... H04R 1/1066; H04R 1/1016; H04R 5/033;  
H04R 5/0335; H04R 1/10; H04R 25/00;  
H04R 1/1091; H04R 1/1058  
See application file for complete search history.

(71) Applicant: **Apple Inc.**, Cupertino, CA (US)

(72) Inventors: **Robert Brunner**, San Francisco, CA (US); **Rhys Bonahoom**, Burlingame, CA (US); **Gregoire Vandebussche**, San Francisco, CA (US); **Nivay Anandarajah**, San Francisco, CA (US); **Christopher Fruhauf**, San Anselmo, CA (US)

(56) **References Cited**

U.S. PATENT DOCUMENTS

3,051,961	A *	9/1962	Clark .....	A61F 11/14
				2/209
3,073,410	A *	1/1963	Gongoll .....	H04R 1/1008
				2/209
3,505,684	A *	4/1970	Hutchinson .....	A61F 11/14
				2/209
4,385,209	A	5/1983	Greason et al.	
D318,053	S *	7/1991	Ludeke .....	D14/205
D328,074	S	7/1992	Yamazaki et al.	
D328,461	S	8/1992	Daido et al.	
D346,802	S *	5/1994	Sacherman .....	D14/206
D484,485	S	12/2003	Matsuoka	

(Continued)

(73) Assignee: **Apple Inc.**, Cupertino, CA (US)

(\*\*) Term: **15 Years**

(21) Appl. No.: **29/682,934**

(22) Filed: **Mar. 8, 2019**

**Related U.S. Application Data**

(63) Continuation of application No. 29/608,560, filed on Jun. 22, 2017, now Pat. No. Des. 843,345, which is a continuation of application No. 29/559,678, filed on Mar. 30, 2016, now Pat. No. Des. 791,733, which is a continuation of application No. 29/527,765, filed on May 21, 2015, now Pat. No. Des. 760,687, which is a continuation of application No. 29/490,508, filed on May 9, 2014, now Pat. No. Des. 738,350, and a continuation of application No. 29/490,507, filed on May 9, 2014, now Pat. No. Des. 732,000, which is a continuation-in-part of application No. 29/489,127, filed on Apr. 25, 2014, now Pat. No. Des. 731,457.

(51) **LOC (12) Cl.** ..... **14-01**

(52) **U.S. Cl.**

USPC ..... **D14/205**

(58) **Field of Classification Search**

USPC ..... D14/205, 188, 192; D29/112; 2/209;  
381/74, 380, 381, 374; 455/90.3, 575.1,  
455/569.1

FOREIGN PATENT DOCUMENTS

EM	00723707-0003	*	11/2019
EM	007232707-0008	*	11/2019

*Primary Examiner* — Paula Allen Greene

(74) *Attorney, Agent, or Firm* — Sterne, Kessler, Goldstein & Fox P.L.L.C.

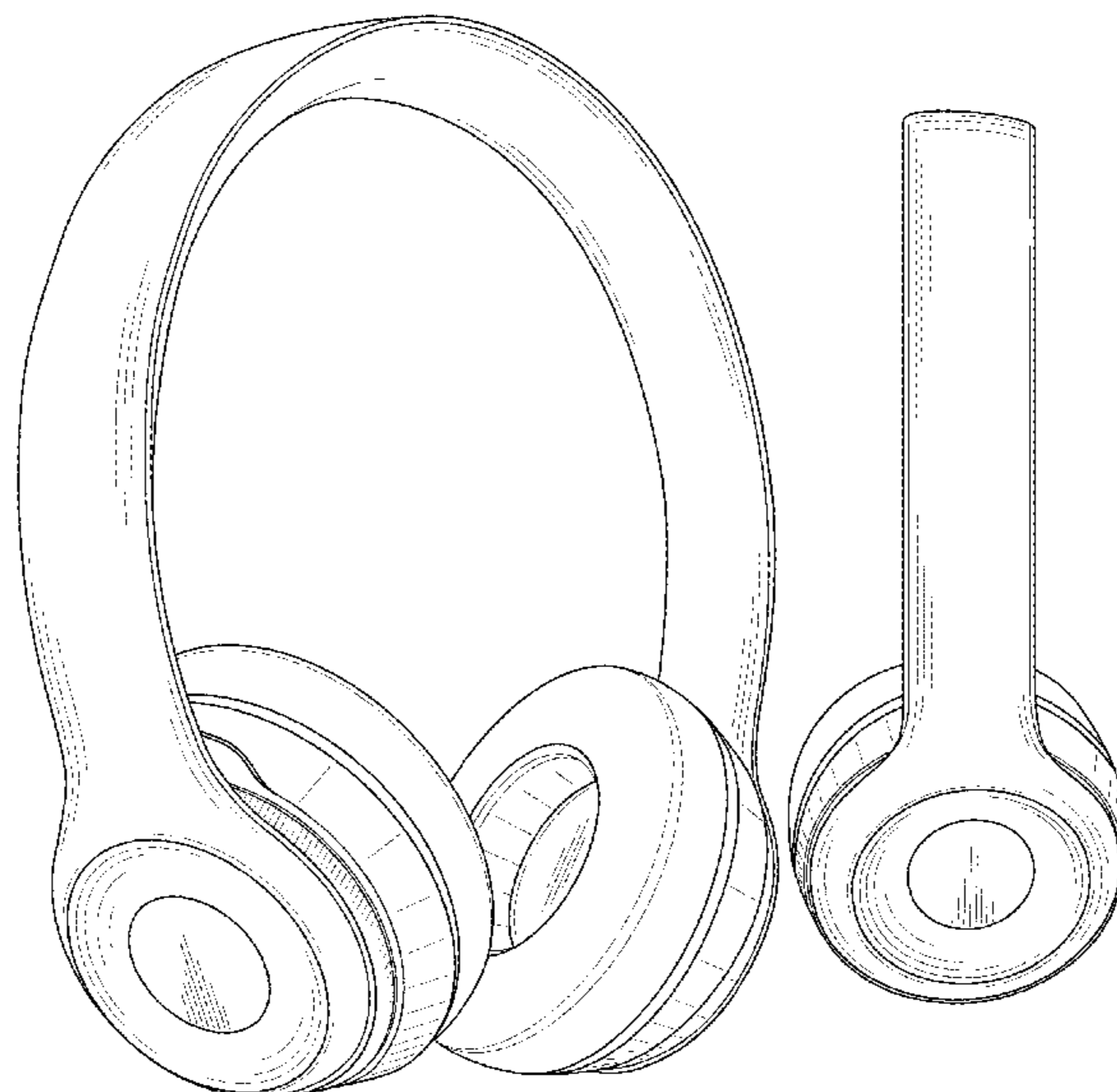
(57) **CLAIM**

The ornamental design for an audio listening system, as shown and described.

**DESCRIPTION**

FIG. 1 is a front perspective view of an audio listening system showing the claimed design; FIG. 2 is a front view thereof; FIG. 3 is a rear view thereof; FIG. 4 is a left side view thereof; FIG. 5 is a right side view thereof; and, FIG. 6 is a top view thereof.

**1 Claim, 4 Drawing Sheets**



(56)

References Cited

U.S. PATENT DOCUMENTS

D504,414 S 4/2005 Yoshida  
 6,980,165 B2 12/2005 Yuasa et al.  
 7,072,483 B2 7/2006 Lenhard-Backhaus  
 D534,155 S \* 12/2006 Obata ..... D14/205  
 D540,301 S \* 4/2007 Obata ..... D14/205  
 D552,077 S \* 10/2007 Brunner ..... D14/205  
 7,356,362 B2 4/2008 Chang et al.  
 D582,890 S 12/2008 Koza et al.  
 D585,870 S 2/2009 Zheng et al.  
 D592,182 S 5/2009 Sanguinetti  
 D593,995 S \* 6/2009 Shimizu ..... D14/205  
 D600,674 S 9/2009 Brennwald  
 D603,371 S 11/2009 Boateng et al.  
 D625,705 S 10/2010 Ohori et al.  
 D628,554 S 12/2010 Tedja et al.  
 D632,668 S 2/2011 Brunner et al.  
 D635,959 S 4/2011 Hutchieson  
 D637,176 S \* 5/2011 Brunner ..... D14/205  
 8,006,320 B1 8/2011 Rohbani  
 D652,406 S \* 1/2012 Lee ..... D14/205  
 8,098,872 B2 1/2012 Chang  
 D657,344 S 4/2012 Brunner et al.  
 D657,345 S 4/2012 Brunner et al.  
 D657,776 S 4/2012 Lee et al.  
 D660,823 S \* 5/2012 Hardi ..... D14/205  
 D660,824 S \* 5/2012 Hardi ..... D14/205  
 D662,080 S 6/2012 Carr et al.  
 D663,716 S \* 7/2012 Hardi ..... D14/205  
 D664,117 S 7/2012 Tappeiner et al.  
 D671,914 S 12/2012 Lee et al.  
 D673,136 S 12/2012 Kelly et al.  
 D673,520 S \* 1/2013 Tan ..... D14/205  
 D675,595 S 2/2013 Cho et al.  
 D677,648 S 3/2013 Lee et al.  
 D678,860 S 3/2013 Hagelin  
 D683,329 S \* 5/2013 Hagelin ..... D14/205  
 D689,843 S 9/2013 Lee  
 D691,579 S 10/2013 Lee et al.  
 D691,984 S 10/2013 Wang

D693,791 S 11/2013 Troy  
 D696,226 S 12/2013 Brunner et al.  
 D696,228 S 12/2013 Miyake et al.  
 D699,702 S 2/2014 Chen  
 D706,240 S 6/2014 Szymanski et al.  
 D715,255 S 10/2014 Nunez et al.  
 D725,630 S 3/2015 Nakagawa  
 D731,457 S 6/2015 Brunner et al.  
 D732,000 S 6/2015 Brunner et al.  
 D732,503 S \* 6/2015 Brunner ..... H04R 1/1008  
 D14/205  
 D734,296 S 7/2015 Paterson et al.  
 D738,350 S 9/2015 Brunner et al.  
 D739,378 S 9/2015 Chung et al.  
 D742,357 S 11/2015 Chung et al.  
 D760,687 S 7/2016 Brunner et al.  
 D765,056 S 8/2016 Yang et al.  
 D767,531 S 9/2016 Szymanski  
 9,445,185 B2 9/2016 Brunner et al.  
 D786,824 S \* 5/2017 Hembrey ..... D14/205  
 D791,103 S 7/2017 Brunner et al.  
 D791,733 S 7/2017 Brunner et al.  
 D800,691 S 10/2017 Ando et al.  
 D809,478 S \* 2/2018 Arimoto ..... D14/205  
 D817,303 S 5/2018 Tragatschnig  
 10,178,463 B2 \* 1/2019 Smiechowski ..... H04R 1/1066  
 D843,345 S 3/2019 Brunner et al.  
 D858,483 S \* 9/2019 Hu ..... D14/205  
 D877,716 S \* 3/2020 Hu ..... D14/205  
 D879,066 S \* 3/2020 Chen ..... D14/205  
 D879,742 S \* 3/2020 Hu ..... D14/205  
 D881,157 S \* 4/2020 Chen ..... D14/205  
 D883,949 S \* 5/2020 Hu ..... D14/205  
 2004/0216946 A1 11/2004 Lenhard-Backhaus  
 2008/0037816 A1 2/2008 Lee et al.  
 2011/0206216 A1 8/2011 Brunner et al.  
 2013/0177195 A1 7/2013 Sze et al.  
 2013/0343591 A1 12/2013 Brunner et al.  
 2015/0189422 A1 7/2015 Nakano et al.  
 2016/0212519 A1 7/2016 Henderson et al.

\* cited by examiner



FIG. 1

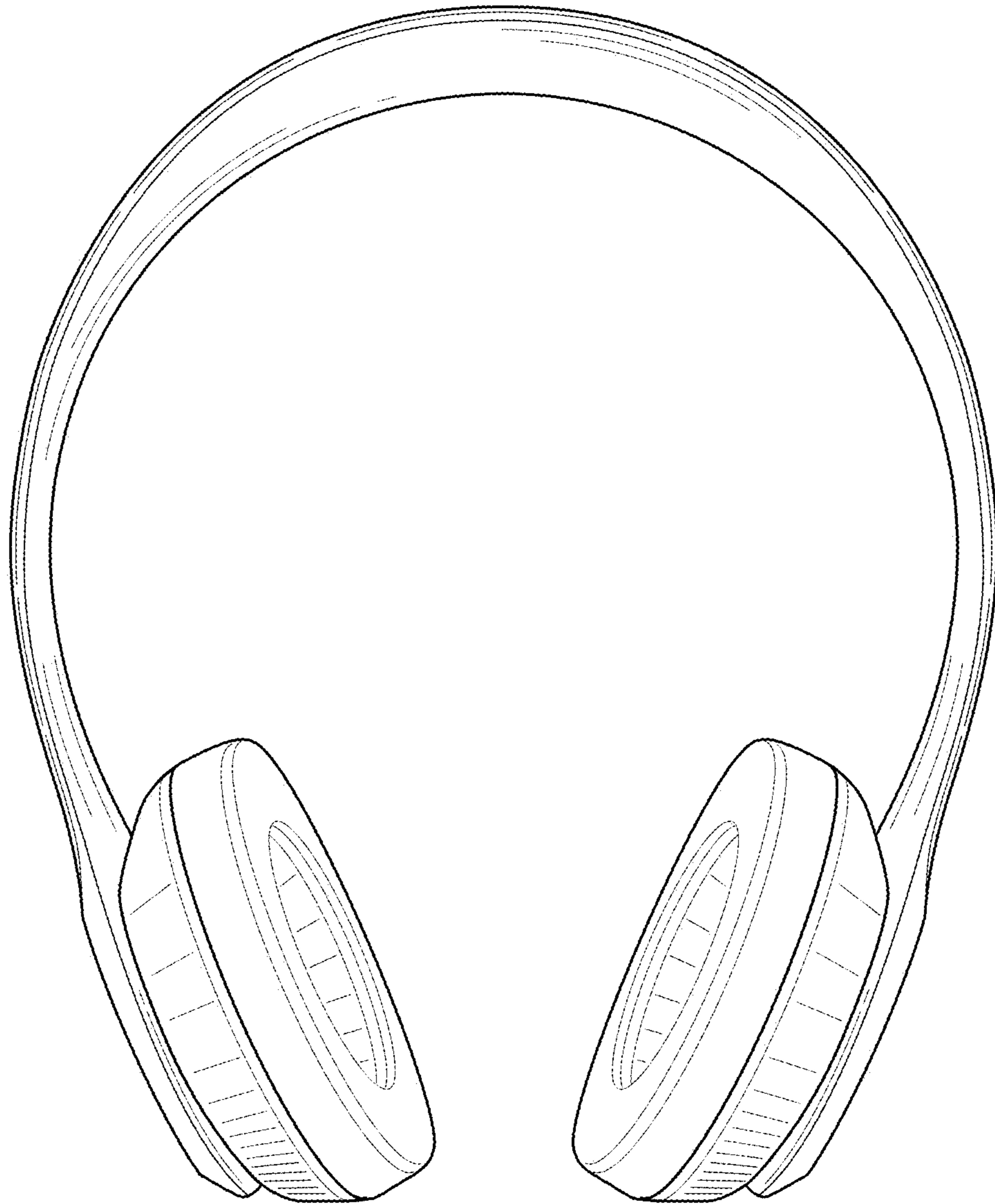
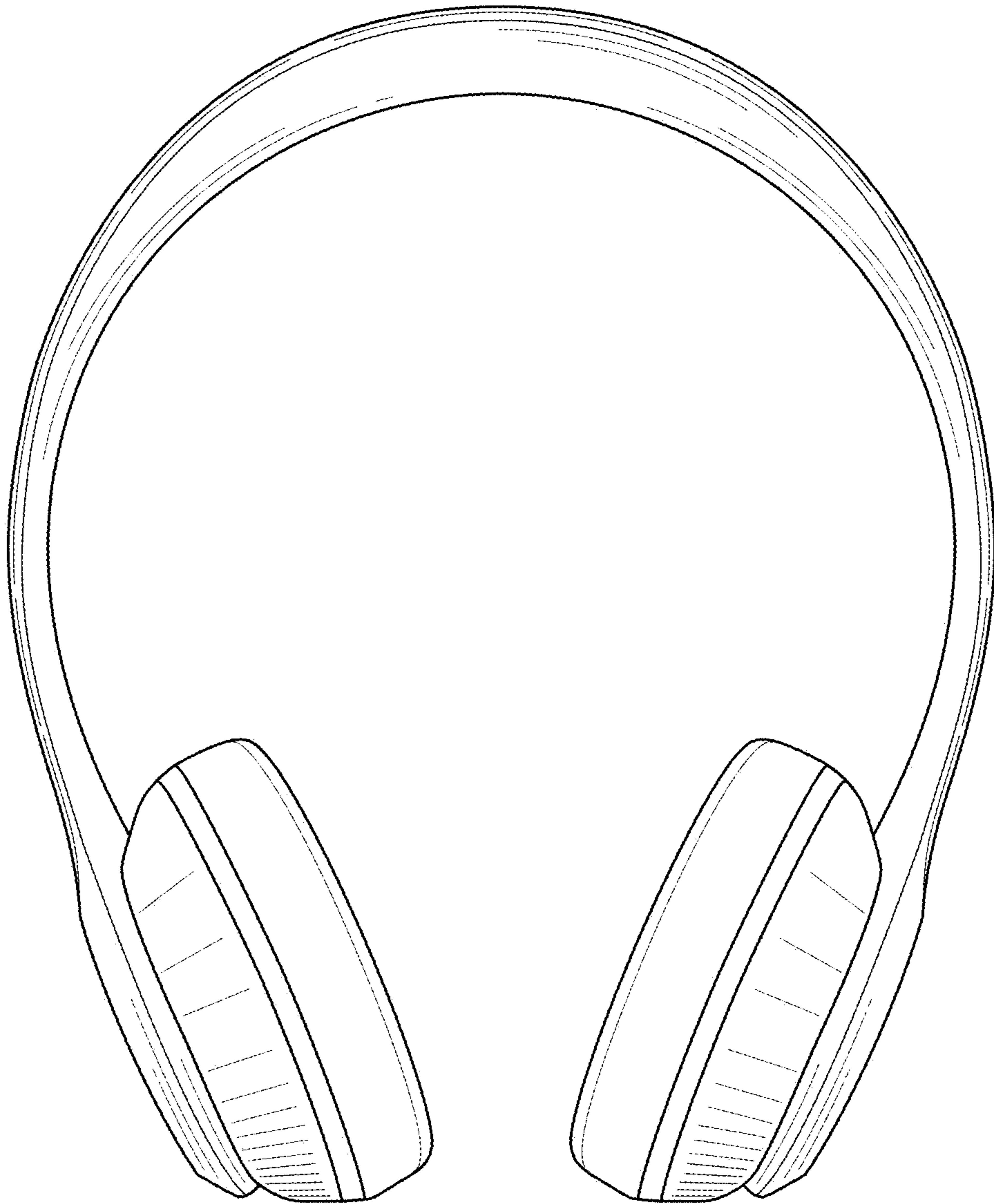


FIG. 2



**FIG. 3**

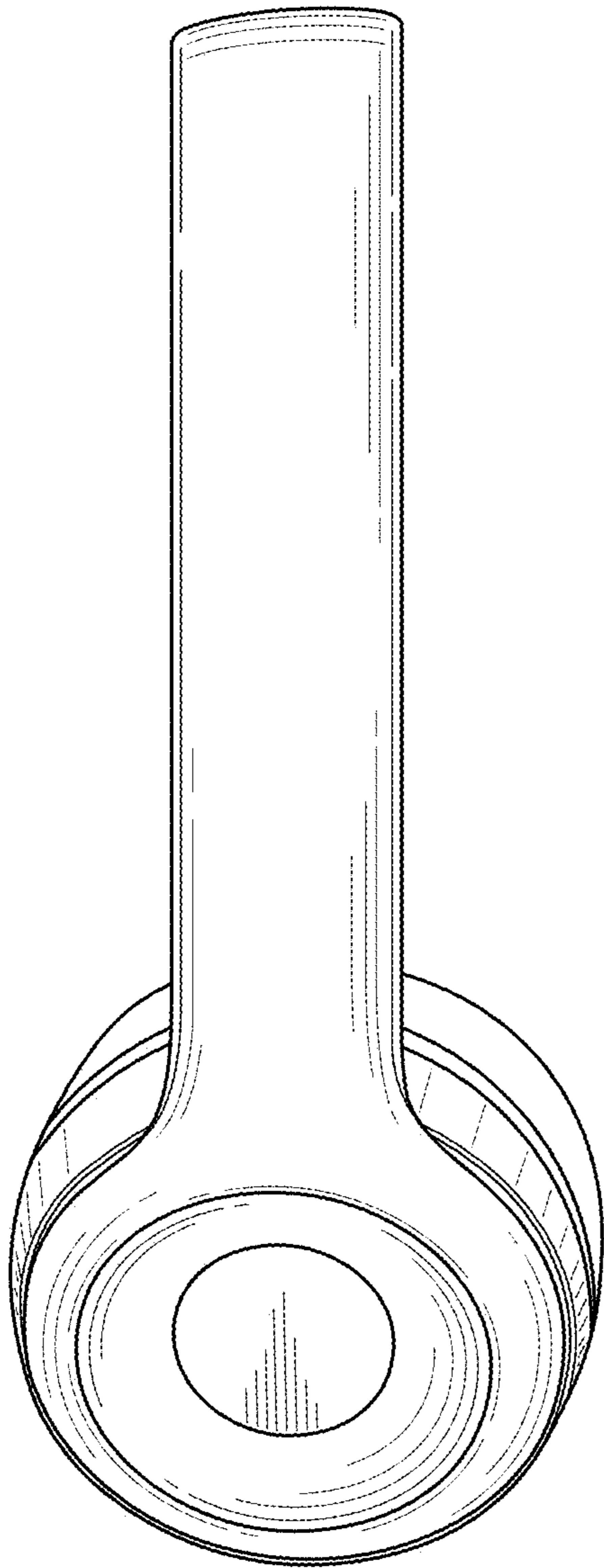


FIG. 4

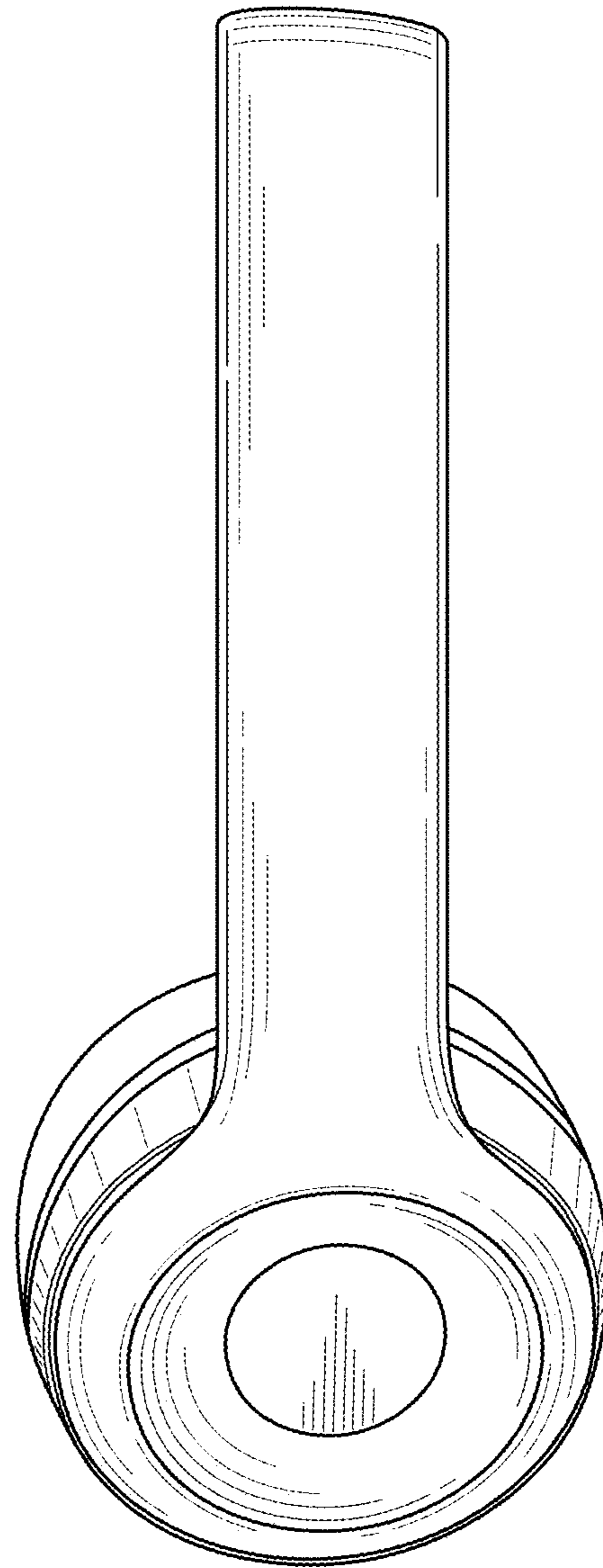


FIG. 5

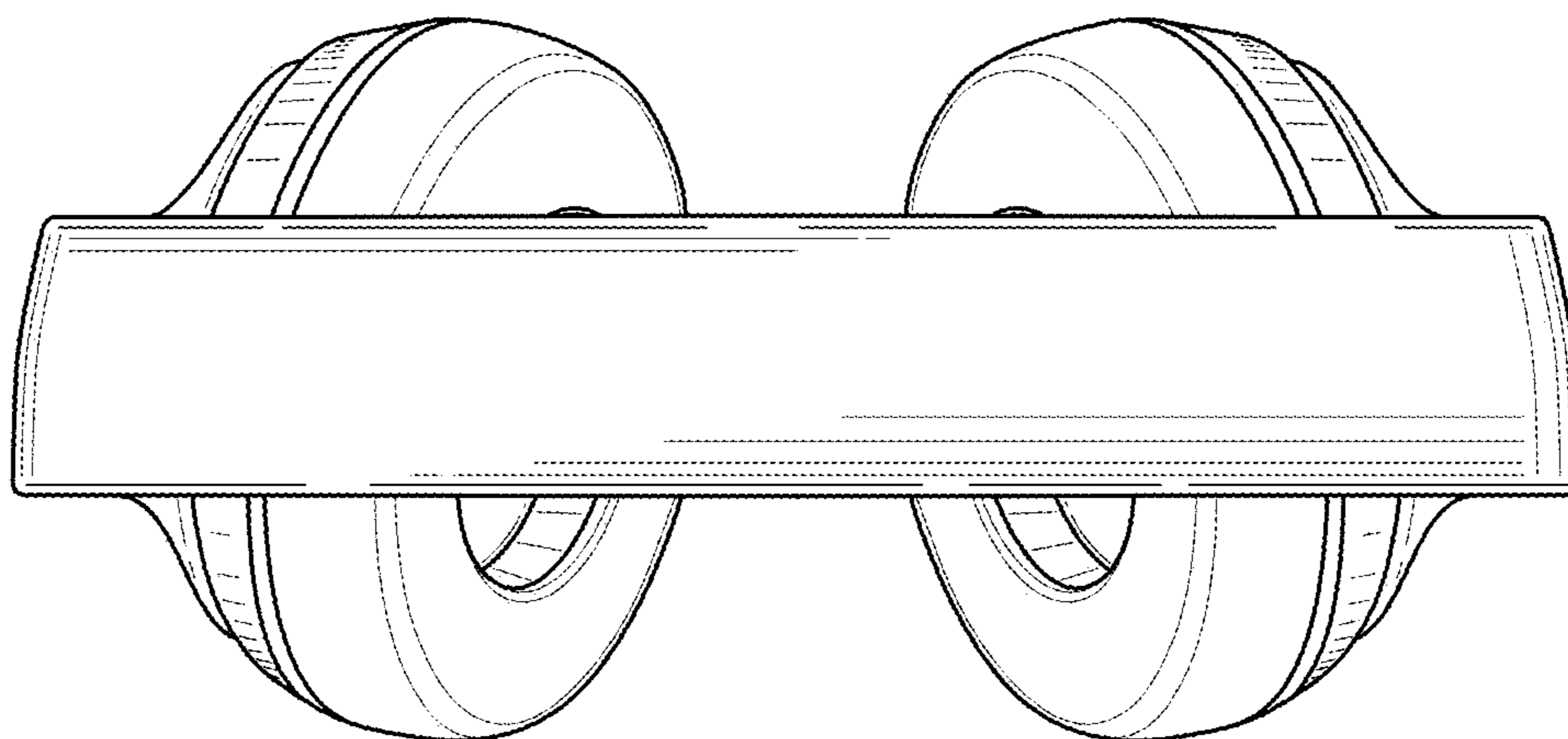


FIG. 6