



US00D889427S

(12) **United States Design Patent** (10) **Patent No.:** **US D889,427 S**
Keller et al. (45) **Date of Patent:** **** Jul. 7, 2020**

(54) **WIRELESS RECEIVER**

(71) Applicant: **Maverick Industries, Inc.**, Edison, NJ (US)

(72) Inventors: **Darren Keller**, Easton, PA (US); **Fusheng Liu**, Shenzhen (CN)

(73) Assignee: **Maverick Industries, Inc.**, Edison, NJ (US)

(**) Term: **15 Years**

(21) Appl. No.: **29/655,941**

(22) Filed: **Jul. 9, 2018**

(51) **LOC (12) Cl.** **14-03**

(52) **U.S. Cl.**
USPC **D14/198**

(58) **Field of Classification Search**
USPC D14/167, 168, 170–172, 187, 188, D14/194–196, 198, 204, 207, 209.1, D14/210–216, 219, 221, 222, 224, 239, D14/496; 181/143, 144, 147, 148, 150, 181/153, 157, 198, 199; 381/300–303, 381/306, 332, 333, 336, 345, 361–364, 381/386–388; 369/6–12
CPC B60R 11/0217; G06F 1/1688; G10K 9/22; G10K 11/004; H03F 1/327; H04M 1/03; H04M 1/035; H04N 5/642; H04N 21/4852; H04R 1/02; H04R 1/06; H04R 1/021; H04R 1/025; H04R 1/026; H04R 1/028; H04R 1/105; H04R 1/323; H04R 1/403; H04R 1/2803; H04R 1/2834; H04R 5/02; H04R 7/20; H04R 9/06; H04R 9/025; H04R 2201/021; H04R 2400/00; H04R 2400/07; H04R 2499/11; H04R 2499/13; H04R 2499/15; H04S 3/00; H04S 7/30

See application file for complete search history.

(56) **References Cited**

U.S. PATENT DOCUMENTS

2,388,567	A *	11/1945	Patterson, Jr.	F16M 11/10 455/351
D185,885	S *	8/1959	Kawa	D16/238
D372,475	S *	8/1996	Shudo	D14/163
D395,885	S *	7/1998	Hough	D14/188
D418,510	S *	1/2000	Zeitman	D14/163
D479,220	S *	9/2003	Lammers-Meis	D14/188
D496,344	S *	9/2004	Chen	D14/168
D497,356	S *	10/2004	Jerome	D14/188
7,722,248	B1 *	5/2010	Chapman	G01K 1/024 340/870.17
D765,523	S *	9/2016	Chapman	D10/57
D841,494	S *	2/2019	Liu	D10/57
D847,006	S *	4/2019	Hu	D10/57

(Continued)

Primary Examiner — Katie Jane Stofko

(74) *Attorney, Agent, or Firm* — Doherty IP Law Group

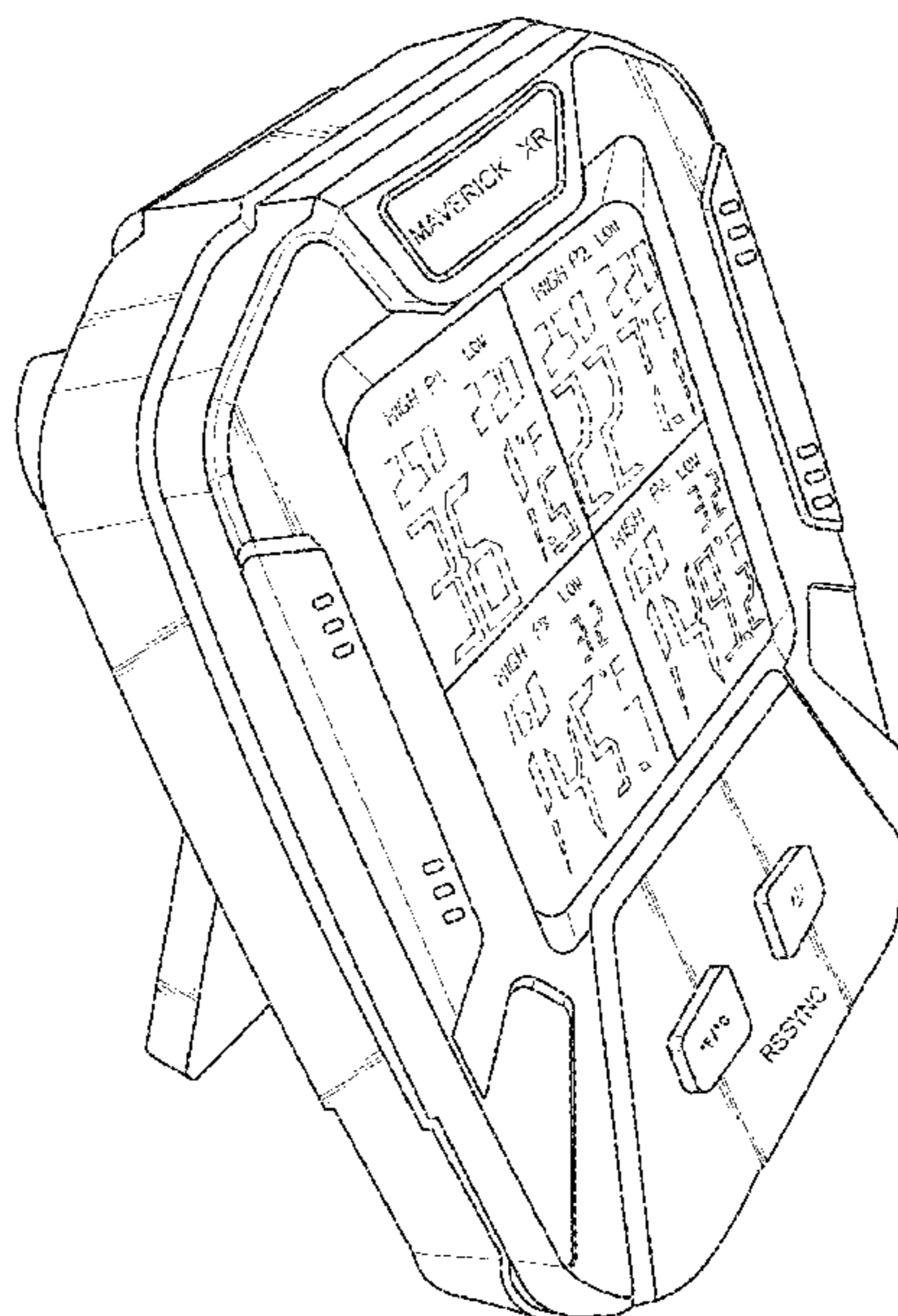
(57) **CLAIM**

The ornamental design for a wireless receiver, as shown and described.

DESCRIPTION

FIG. 1 is a perspective view of a wireless receiver with a support stand in an extended configuration, showing our new design;
FIG. 2 is a front view of the wireless receiver shown in FIG. 1;
FIG. 3 is a rear view of the wireless receiver shown in FIG. 1 with the support stand in a retracted configuration;
FIG. 4 is a left side view of the wireless receiver shown in FIG. 1 with the support stand in a retracted configuration; and,
FIG. 5 is a right side view of the wireless receiver shown in FIG. 1 with the support stand in a retracted configuration.
The broken lines in the drawings form no part of the claimed design for a wireless receiver.

1 Claim, 5 Drawing Sheets



(56)

References Cited

U.S. PATENT DOCUMENTS

2003/0202558 A1* 10/2003 Chung G01K 1/024
374/155

* cited by examiner

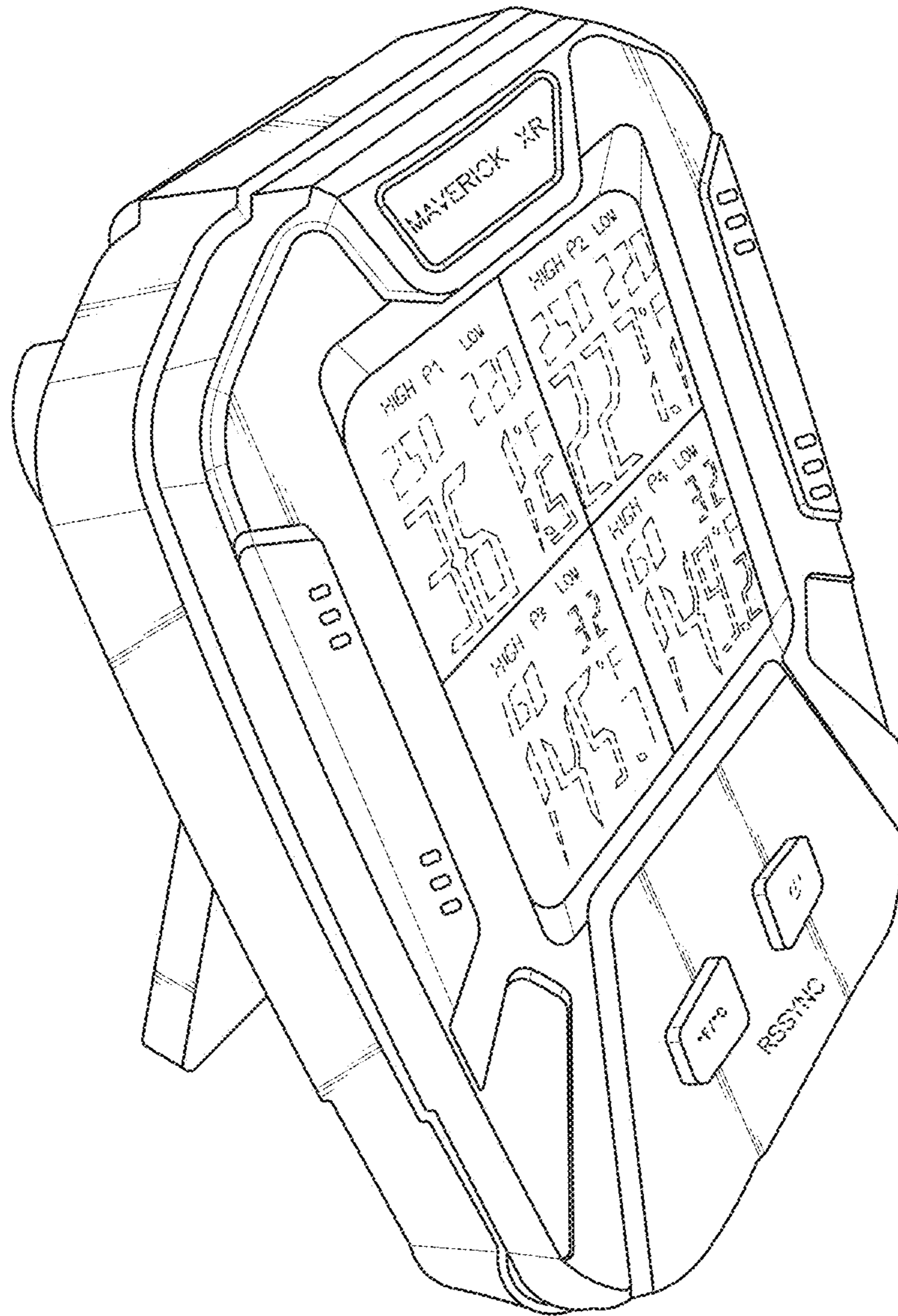


FIG. 1

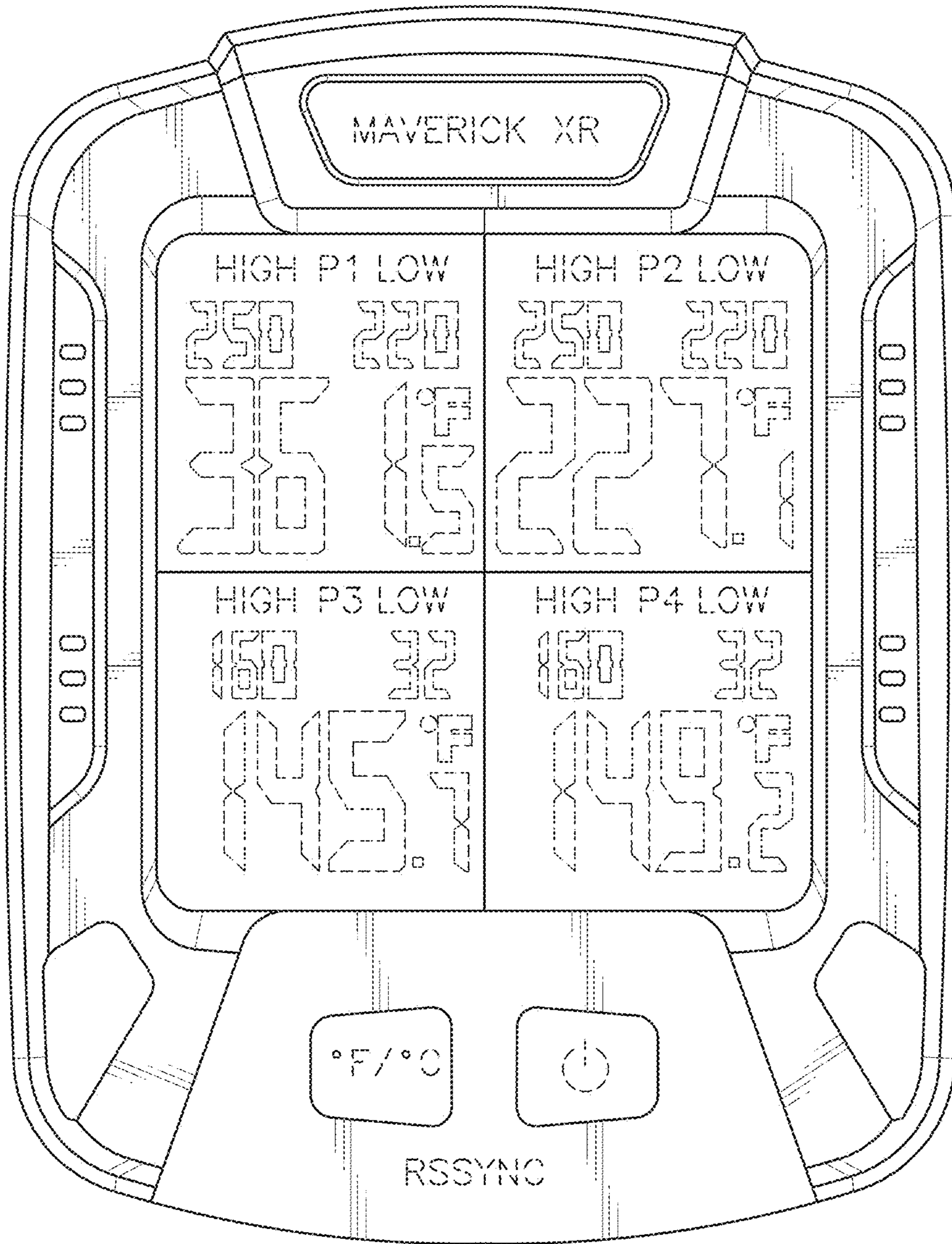


FIG. 2

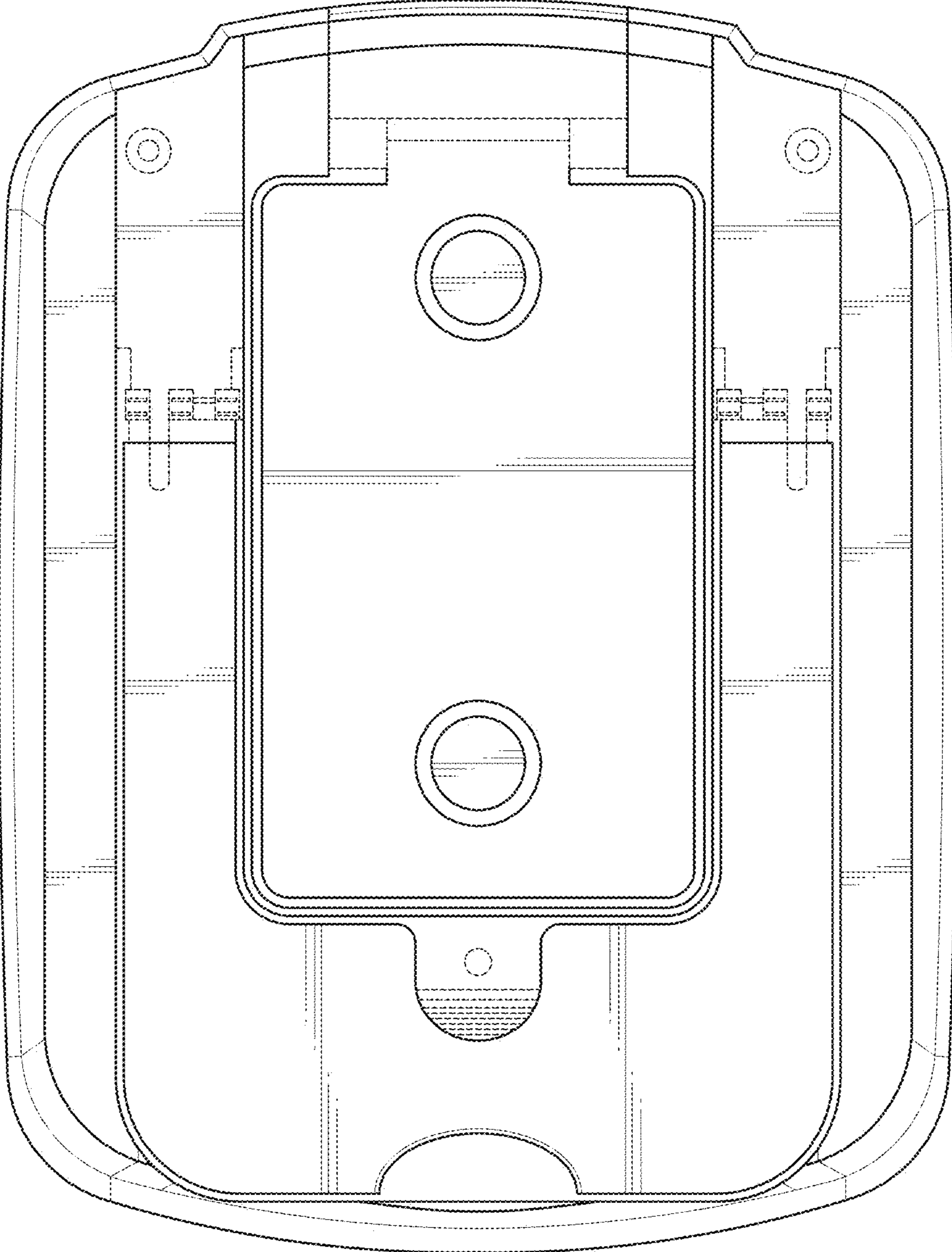


FIG. 3

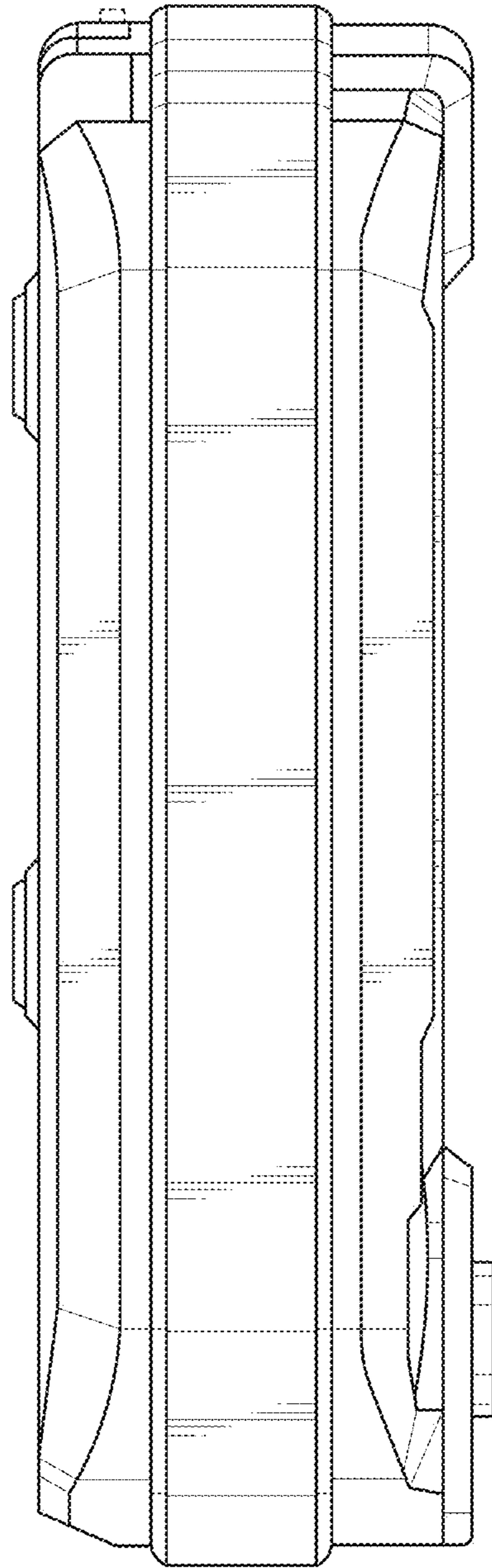


FIG. 4

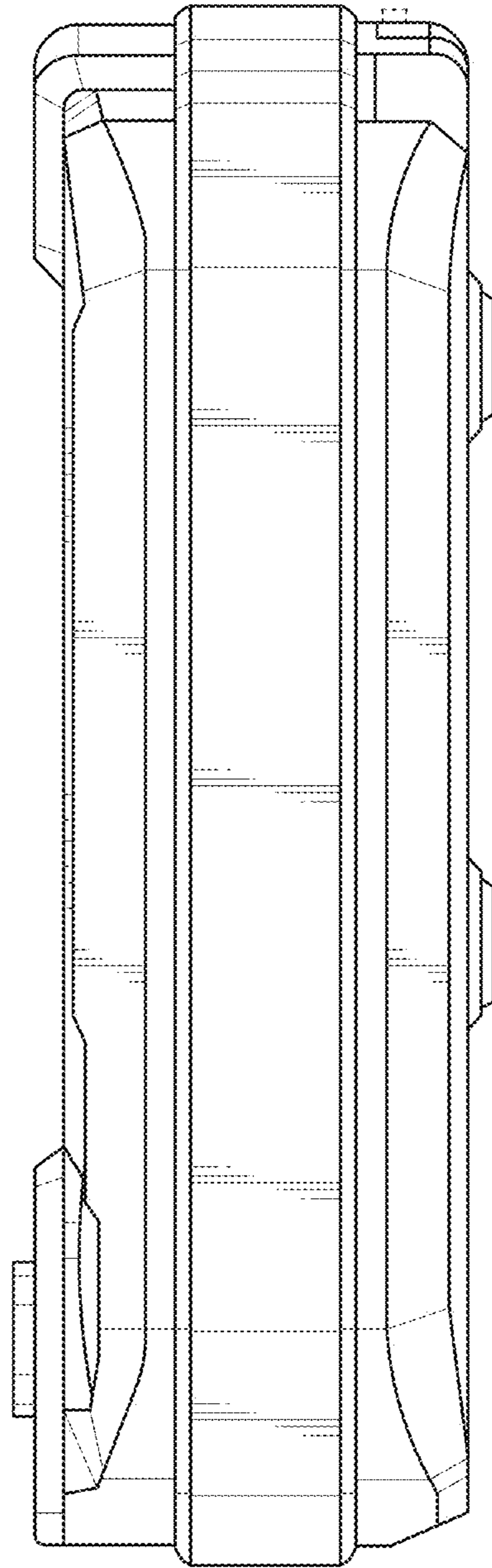


FIG. 5